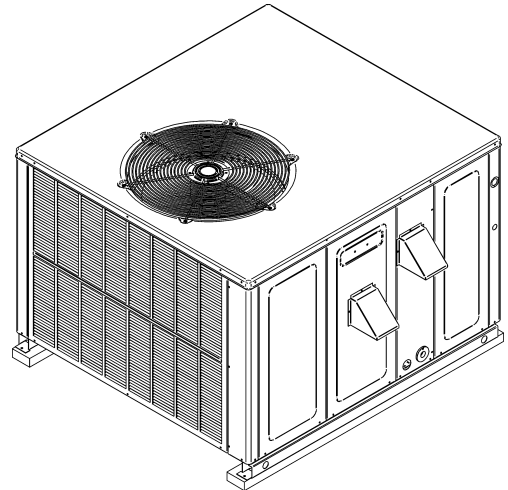




REPAIR PARTS

GPG14 "M" Series Residential Package Gas Unit

GPG1430040M41CA
GPG1430060M41CA
GPG1436040M41CA
GPG1436060M41CA
GPG1436080M41CA
GPG1442060M41CA
GPG1442080M41CA
GPG1448060M41CA
GPG1448080M41CA
GPG1448100M41CA
GPG1461080M41CA
GPG1461100M41CA
GPG1461120M41CA



This manual is to be used by qualified technicians only.

This manual replaces RP-G3316

© 2021 Goodman Manufacturing Company, L.P. ♦ 5151 San Felipe St, Suite 500 ♦ Houston, TX 77056

Important Information

Index

Functional Parts List	3
Illustration and Parts	4 - 13

Views shown are for parts illustrations only, not servicing procedures.

Text Codes:

AR - As Required

NA - Not Available

NS - Not Shown

00000000 - See Note

QTY - Quantity Example (QTY 3) (If Quantity not shown, Quantity = 1)

M - Model Example (M1) (If M Code not shown, then part is used on all Models)

Expanded Model Nomenclature:

Example M1 - Model#1 M2 - Model#2 M3 - Model#3

Goodman Manufacturing Company, L.P. is not responsible for personal injury or property damage resulting from improper service. Review all service information before beginning repairs.

Warranty service must be performed by an authorized technician, using authorized factory parts. If service is required after the warranty expires, Goodman Manufacturing Company, L.P. also recommends contacting an authorized technician and using authorized factory parts.

Goodman Manufacturing Company, L.P. reserves the right to discontinue, or change at any time, specifications or designs without notice or without incurring obligations.

For assistance within the U.S.A. contact:
Homeowner Support
Goodman Manufacturing Company, L.P.
19001 Kermier Road
Waller, Texas 77484
877-254-4729-Telephone
713-863-2382-Facsimile

For assistance outside the U.S.A. contact:
International Division
Goodman Manufacturing Company, L.P.
19001 Kermier Road
Waller, Texas 77484
713-861-2500-Telephone
713-863-2382-Facsimile

Functional Parts

Part

No: Description:

Part No:	Description:	Part No:	Description:
0150G00003	BLADE, FAN 26 SWEEP WING (M3, M4, M5, M6, M7, M8, M9, M10, M11, M12, M13)	B1368016	WHEEL, BLOWER, 10X8 (M1, M2)
B1368000	BLOWER WHEEL (11 X 10) (M6, M7, M8, M9, M10, M11, M12, M13)	D6723303	WHEEL-BLOWER (M3, M4, M5)
0131G00001	BLOWER-ID (M11, M12, M13)		
0131G00000P	BLOWER-ID (M1, M2, M3, M4, M5, M6, M7, M8, M9, M10)		
CAP100450440CS	CAP, 10/45 MFD/ 440V DUAL RD (M11, M12, M13)		
CAP100450440CS	CAP, 10/45 MFD/ 440V DUAL RD (M11, M12, M13)		
CAP050400440CT	CAP, 5/40 MFD/440V/DUAL RD (M1, M2)		
CAP050450440CT	CAP, 5/45 MFD/440V/DUAL RD (M3, M4, M5, M6, M7)		
ZPS49K6EPFV130	COMP 49000.208/230/60/1 (M11, M12, M13)		
ZP40K6EPFV120	COMP, 53700, 208/230/60/1 (M8, M9, M10)		
ZP25K5EPFV130	COMP,25200.208/230/60/1 (M1, M2)		
ZP29K5EPFV130	COMP,29000.208/230/60/1 (M3, M4, M5)		
ZP34K5EPFV130	COMP,34500.208/230/60/1 (M6, M7)		
CONT1P030024V	CONT, 1 POLE, 30 AMP, 24 VAC (M1, M2, M3, M4, M5, M6, M7, M8, M9, M10)		
CONT2P040024V	CONT, 2 POLE, 40 AMP, 24 VAC (M11, M12, M13)		
0131M00747M	CONTROLLERLESS MOTOR (M6, M7, M8, M9, M10)		
0131M00749M	CONTROLLERLESS MOTOR (M11, M12, M13)		
0131M00750M	CONTROLLERLESS MOTOR (M1, M2, M3, M4, M5)		
0150G00002	FAN BLADE SWP/W (M1, M2)		
0130F00010	FLAME SENSOR		
0151F00000P	GAS VALVE (M11, M12, M13)		
0151M00037	GAS VALVE (M1, M2, M3, M4, M5, M6, M7, M8, M9, M10)		
0130M00074	HIGH PRESSURE SWITCH		
0130F00014	IGNITOR		
10728343	LIMIT SWITCH (M11, M12, M13)		
10728344	LIMIT SWITCH (M6, M7, M8, M9, M10)		
10728342	LIMIT SWITCH (M1, M2, M3, M4, M5)		
10123532	LIMIT-RESET MAN-GRAY (M1, M2, M3, M4, M5, M6, M7, M8, M9, M10)		
10123529	LIMIT-RESET MAN-GREEN (M11, M12, M13)		
0131M00430	MOTOR, 1/3 HP, 1 SP, 6 PL (M8, M9, M10, M11, M12, M13)		
0131M00847	MOTOR, 1/4 HP, 1 SP, 6 PL (M1, M2, M3, M4, M5, M6, M7)		
PCBAG127	PCB, IGNITION, DSI, 2 STG (M11, M12, M13)		
PCBAG123	PCB, IGNITION, DSI, INTEG (M1, M2, M3, M4, M5, M6, M7, M8, M9, M10)		
11112501	PRESSURE SWITCH		
0131G00120	PROGRAMMED CONTROLLER (M6, M7)		
0131G00017	PROGRAMMED CONTROLLER (M1, M2)		
0131G00021	PROGRAMMED CONTROLLER (M11)		
0131G00055	PROGRAMMED CONTROLLER (M12)		
0131G00119	PROGRAMMED CONTROLLER (M3, M4, M5)		
0131G00121	PROGRAMMED CONTROLLER (M8, M9, M10)		
0131G00094	PROGRAMMED CONTROLLER (M13)		
B1370751	RELAY 24V (M1, M2, M3, M4, M5, M6, M7, M8, M9, M10)		
0130M00138	TRANSFORMER, 208/230, 24V		
0151M00075	VALVE-TXV R410A (M11, M12, M13)		

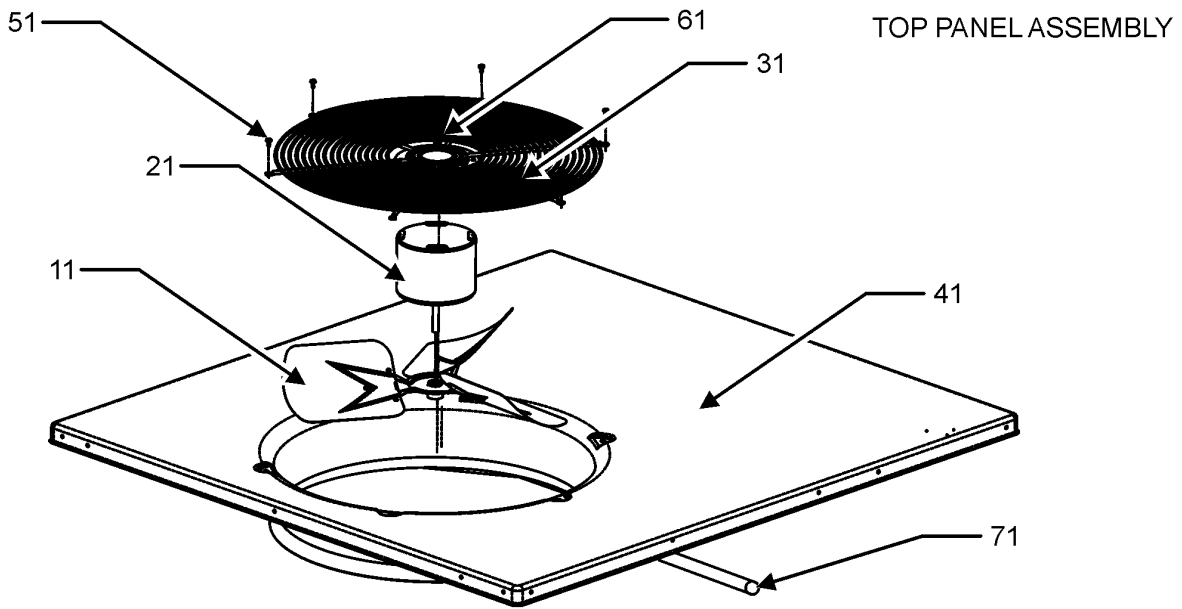
SPECIAL PARTS

TP-109B	AL COIL-APPROVED CLEANING LIST
HI-116G	HOMEOWNERS MANUAL
IOG-3008K	I & O MANUAL
PWCPCGPEPTYURB	PRODUCT WARRANTY

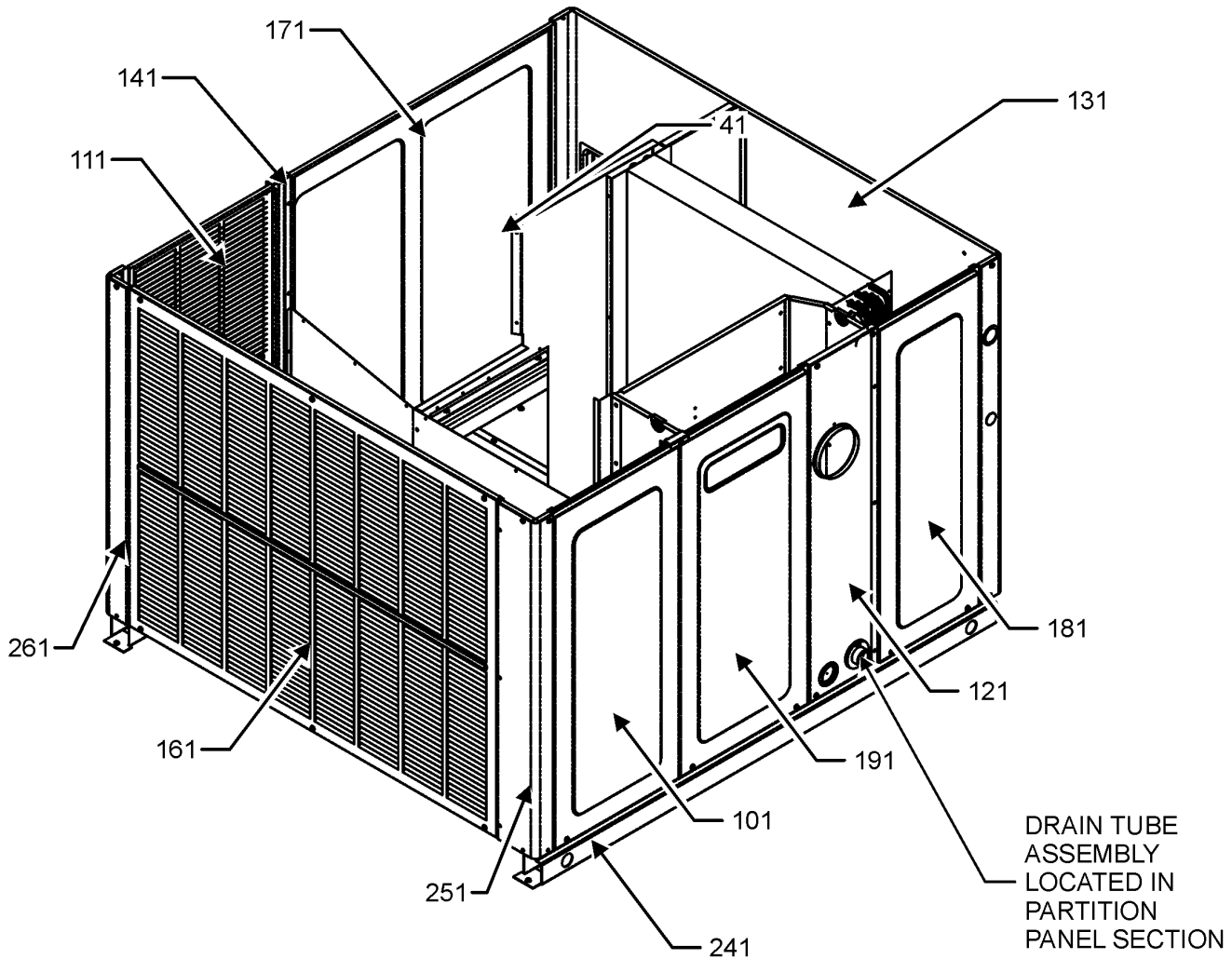
Expanded Model Nomenclature

M1 - GPG1430040M41CA
M2 - GPG1430060M41CA
M3 - GPG1436040M41CA
M4 - GPG1436060M41CA
M5 - GPG1436080M41CA
M6 - GPG1442060M41CA
M7 - GPG1442080M41CA
M8 - GPG1448060M41CA
M9 - GPG1448080M41CA
M10 - GPG1448100M41CA
M11 - GPG1461080M41CA
M12 - GPG1461100M41CA
M13 - GPG1461120M41CA

Top Panel and Cabinet Assembly



CABINET ASSEMBLY

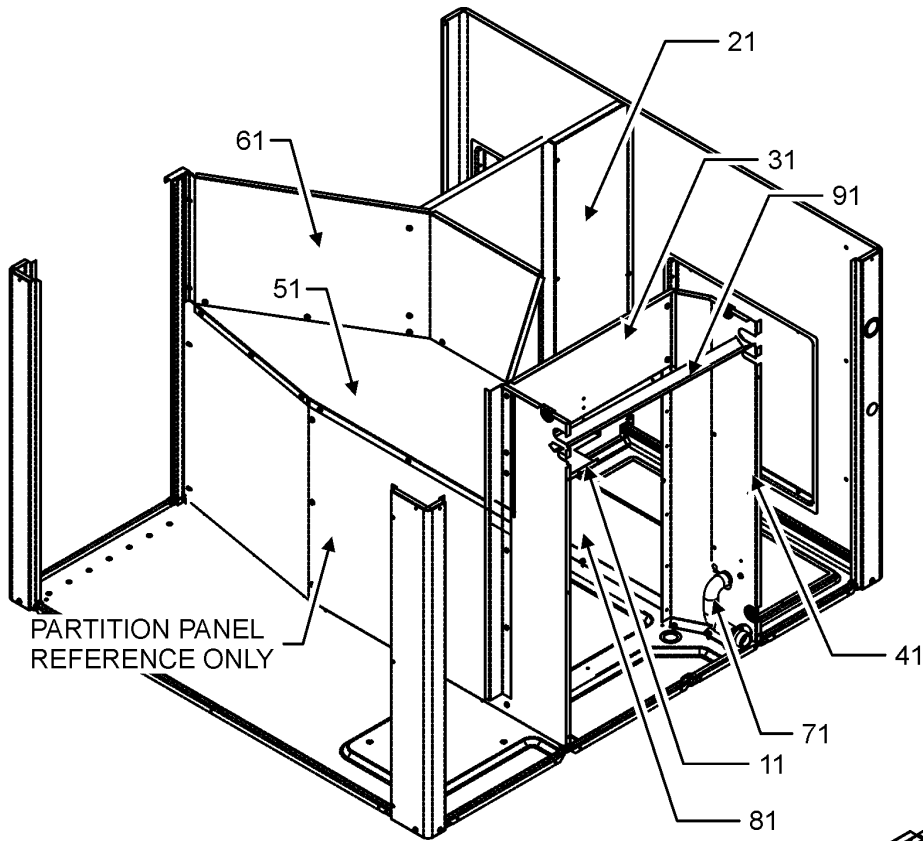


Top Panel and Cabinet Assembly

Ref. Part No:	Ref. Part No:	Description:	Description:	
Image 1:		Image 1:		
11	0150G00003	BLADE, FAN 26 SWEEP WING (M3, M4, M5, M6, M7, M8, M9, M10, M11, M12, M13)	NS TP-109B AL COIL-APPROVED CLEANING LIST	
11	0150G00002	FAN BLADE SWP/W (M1, M2)	NS 0270G00500 FLUE HOOD ASSY	
21	0131M00430	MOTOR, 1/3 HP, 1 SP, 6 PL (M8, M9, M10, M11, M12, M13)	NS HI-116G HOMEOWNERS MANUAL	
21	0131M00847	MOTOR, 1/4 HP, 1 SP, 6 PL (M1, M2, M3, M4, M5, M6, M7)	NS IOG-3008K I & O MANUAL	
31	0152G00000	FAN GRILLE, RAISED (M1, M2)	NS PWCPKGEPYURB PRODUCT WARRANTY	
31	0152G00003	GRILLE-FAN (M3, M4, M5, M6, M7, M8, M9, M10, M11, M12, M13)	Expanded Model Nomenclature	
41	0121G00156PDG	TOP PANEL	M1 - GPG1430040M41CA	
51	M0221817	SMALL SCREW (QTY 6)	M2 - GPG1430060M41CA	
61	0163M00006P	ACORN NUT 5/16 HEX BLACK (QTY 4)	M3 - GPG1436040M41CA	
71	0161G00016	CONDUIT PVC	M4 - GPG1436060M41CA	
101	20464804PDG	DOOR-COMPRESSOR 38 (M1, M2, M3, M4, M5)	M5 - GPG1436080M41CA	
101	20464809PDG	DOOR-COMPRESSOR 40 W/PAINT (M6, M7, M8, M9, M10, M11, M12, M13)	M6 - GPG1442060M41CA	
111	0121G00728DG	PANEL-COND LOUVERED 32 (M1, M2, M3, M4, M5)	M7 - GPG1442080M41CA	
111	0121G00729DG	PANEL-COND LOUVERED 40 (M6, M7, M8, M9, M10, M11, M12, M13)	M8 - GPG1448060M41CA	
121	20466101PDG	UTILITY PANEL 32 W/PAINT (M1, M2, M3, M4, M5)	M9 - GPG1448080M41CA	
121	20466102PDG	UTILITY PANEL 40 W/PAINT (M6, M7, M8, M9, M10, M11, M12, M13)	M10 - GPG1448100M41CA	
131	0121G00802DG	PNL, DUCT, GAS 32.5" PNT (M1, M2, M3, M4, M5)	M11 - GPG1461080M41CA	
131	0121G00803DG	PNL, DUCT, GAS 40" PNT (M6, M7, M8, M9, M10, M11, M12, M13)	M12 - GPG1461100M41CA	
141	0121G00460	POST-SUPPORT, SIDE (M1, M2, M3, M4, M5)	M13 - GPG1461120M41CA	
141	0121G00615	POST-SUPPORT, SIDE 40 (M6, M7, M8, M9, M10, M11, M12, M13)		
161	0121G00728DG	PANEL-COND LOUVERED 32 (M1, M2, M3, M4, M5)		
161	0121G00729DG	PANEL-COND LOUVERED 40 (M6, M7, M8, M9, M10, M11, M12, M13)		
171	20464801PDG	DOOR - BLOWER 32 W/PAINT (M1, M2, M3, M4, M5)		
171	20464806PDG	DOOR - BLOWER 40 W/PAINT (M6, M7, M8, M9, M10, M11, M12, M13)		
181	20464802PDG	DOOR-EVAP/CONTROL 32 W/PAINT (M1, M2, M3, M4, M5)		
181	20464807PDG	DOOR-EVAP/CONTROL 40 W/PAINT (M6, M7, M8, M9, M10, M11, M12, M13)		
191	0121G00526DG	DOOR-HT EXCHANGE 32 (M1, M2, M3, M4, M5)		
191	0121G00527DG	DOOR-HT EXCHANGE 38 (M6, M7, M8, M9, M10, M11, M12, M13)		
241	0121G00290	RAIL, BASEPAN, PKG (QTY 2)		
251	0121G00453DG	CORNER-POST COMP END, PNT (M3, M4, M5)		
251	20464201PDG	CRNR POST-COMP END 32 W/PAINT (M1, M2)		
251	20464202PDG	CRNR POST-COMP END 40 W/PAINT (M6, M7)		
251	0121G00455DG	POST-CRNR COMP END 40 (M8, M9, M10, M11, M12, M13)		
261	0121G00454DG	CORNER-POST HPIN END, PNT (M1, M2, M3, M4, M5)		
261	0121G00456DG	CORNER-POST HPIN END, PNT (M6, M7, M8, M9, M10, M11, M12, M13)		

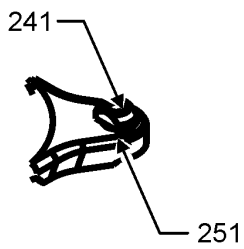
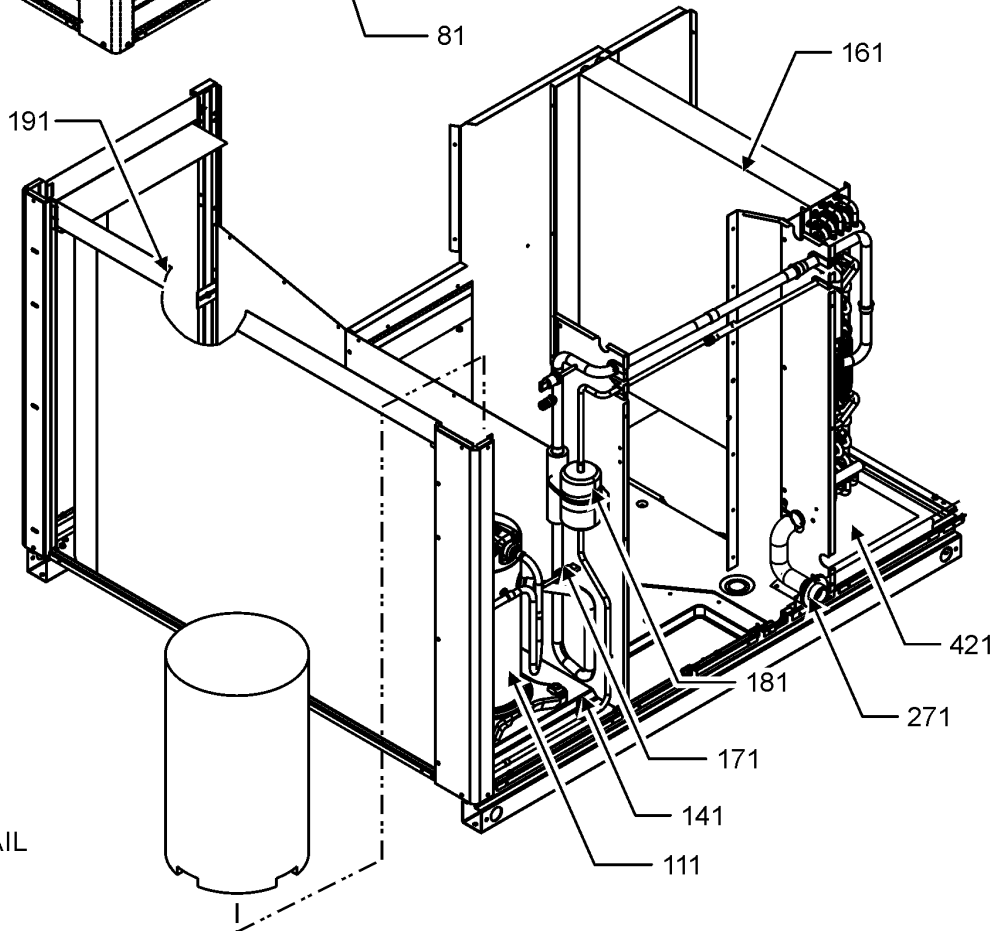
Partition and Tubing Assembly

PARTITION ASSEMBLY



TUBING ASSEMBLY

TUBING ASSEMBLY
MAY DIFFER FROM
WHAT IS SHOWN



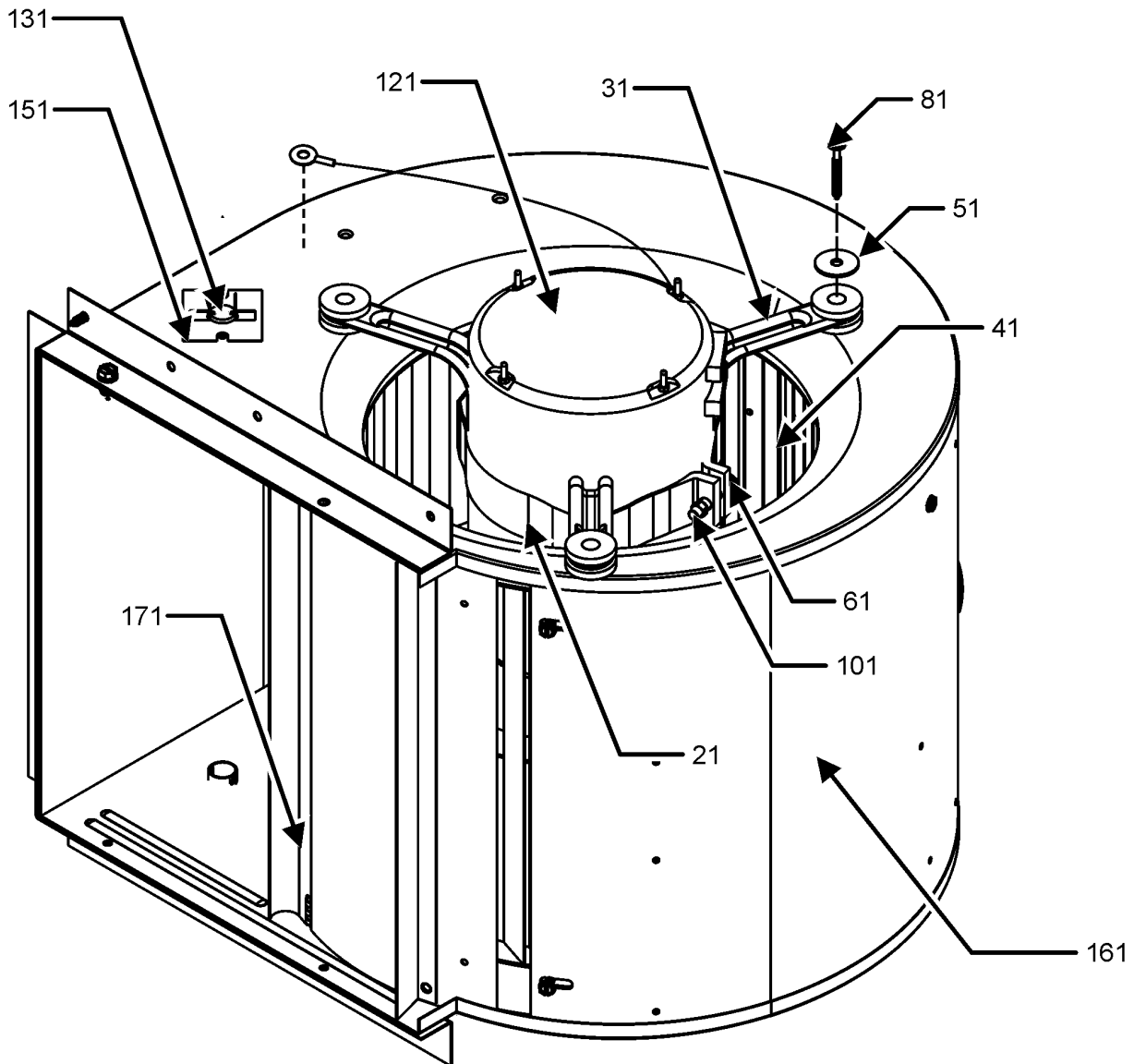
COMPRESSOR LEG DETAIL

Partition and Tubing Assembly

Ref. Part No:	Ref. Part No:	Description:	Description:	
Image 1:		Image 1:		
11	20472501	SHIELD-HT TUBES	NS 20333401 GROMMET-HORSESHOE	
21	20465305	DIVIDER-BLOWER (M1, M2)	NS 20333501 GROMMET-HORSESHOE	
21	20465304	DIVIDER-BLOWER 32 10X9 (M3, M4, M5)	NS 20477501 GROMMET-HORSESHOE	
21	20465302	DIVIDER-BLOWER 38 (M6, M7, M8, M9, M10, M11, M12, M13)	NS 0259G00023 HARNESS, BLOWER (M6, M7, M8, M9, M10)	
31	0121G00894	PANEL FILLER HT EXCH 32 (M1, M2, M3, M4, M5)	NS 0159G00005 HARNESS-COMP SCROLL (M11, M12, M13)	
31	0121G00895	PANEL FILLER HT EXCH 40 (M6, M7, M8, M9, M10, M11, M12, M13)	NS 0159G00014 HARNESS-COMP SCROLL (M1, M2, M3, M4, M5)	
41	0121G00757	DIVIDER, EVAP/HT EXCH 32 (M1, M2, M3, M4, M5)	NS 0159G00015 HARNESS-COMP SCROLL (M6, M7, M8, M9, M10)	
41	0121G00758	DIVIDER, EVAP/HT EXCH 38 (M6, M7, M8, M9, M10, M11, M12, M13)	NS B1810011 HOSE CLAMP 1.25 (QTY 2)	
51	20465701	FAN PARTITION SHELF	NS 0151M00075 VALVE-TXV R410A (M11, M12, M13)	
61	20465801	SURROUND-FAN 32 (M1, M2, M3, M4, M5)	Expanded Model Nomenclature	
61	20465802	SURROUND-FAN 40 (M6, M7, M8, M9, M10, M11, M12, M13)	M1 - GPG1430040M41CA	
71	20498302	TUBE-DRAIN 32 (M1, M2, M3, M4, M5)	M2 - GPG1430060M41CA	
71	20498301	TUBE-DRAIN 40 (M6, M7, M8, M9, M10, M11, M12, M13)	M3 - GPG1436040M41CA	
81	20463802	BLOCK-EVAP/BPAN 32 (M1, M2, M3, M4, M5)	M4 - GPG1436060M41CA	
81	20463801	BLOCK-EVAP/BPAN 40 (M6, M7, M8, M9, M10, M11, M12, M13)	M5 - GPG1436080M41CA	
91	0121G00555	DRAIN CHANNEL, SUCTION TUBE	M6 - GPG1442060M41CA	
111	ZPS49K6EPFV130	COMP 49000,208/230/60/1 (M11, M12, M13)	M7 - GPG1442080M41CA	
111	ZP40K6EPFV120	COMP, 53700, 208/230/60/1 (M8, M9, M10)	M8 - GPG1448060M41CA	
111	ZP25K5EPFV130	COMP,25200,208/230/60/1 (M1, M2)	M9 - GPG1448080M41CA	
111	ZP29K5EPFV130	COMP,29000,208/230/60/1 (M3, M4, M5)	M10 - GPG1448100M41CA	
111	ZP34K5EPFV130	COMP,34500,208/230/60/1 (M6, M7)	M11 - GPG1461080M41CA	
141	B1373315	ACCESS FITTING (QTY 2)	M12 - GPG1461100M41CA	
161	0202G00566	COIL TUBING ASSY (M1, M2)	M13 - GPG1461120M41CA	
161	0202G00722	COIL TUBING ASSY (M11, M12, M13)		
161	0202G00746	COIL TUBING ASSY (M3, M4, M5)		
161	0202G00747	COIL TUBING ASSY (M6, M7)		
161	0202G00748	COIL TUBING ASSY (M8, M9, M10)		
171	0130M00074	HIGH PRESSURE SWITCH		
181	0162G00007	SINGLE-FLOW FILTER DRIER,STL (M3, M4, M5, M6, M7, M8, M9, M10, M11, M12, M13)		
181	0162G00008	SINGLE-FLOW FILTER DRIER,STL (M1, M2)		
191	0201G00463	COND COIL ASSY (M6, M7)		
191	0201G00142	COND COIL TUBING ASSY (M1, M2)		
191	0201G00262	CONDENSER COIL ASSY (M3, M4, M5)		
191	0201G00369	CONDENSER COIL ASSY (M8, M9, M10, M11, M12, M13)		
241	M0221641	SCREW-SHOULDER TF (QTY 4)		
251	B1339533	COMPRESSOR GROMMET (QTY 4)		
271	20513001	EVAP DRAIN FITTING		
421	20464901DF	DRAIN PAN-EVAP COIL		
NS	B1373311	ACCESS VALVE FITTING (M11, M12, M13)		
NS	0259G00209	BLOWER HARNESS (M1, M2, M3, M4, M5)		
NS	0159G00001	CABLE COMP SCROLL (M11, M12, M13)		
NS	0163M00175	CAP WITH O-RING (QTY 2)		
NS	0164M00111	GROMMET D (M11, M12, M13)		
NS	0164M00023	GROMMET-HORSESHOE (M8, M9, M10, M11, M12, M13)		
NS	0164M00110	GROMMET-HORSESHOE (M1, M2, M3, M4, M5, M6, M7)		

Blower Assembly

BLOWER ASSEMBLY



BLOWER ASSEMBLY MAY DIFFER FROM WHAT IS SHOWN

Blower Assembly

Ref. Part No:	Ref. Part No:	Description:	Description:
Image 1:			
21	0121M00038	MOTOR MOUNT BAND	
31	B1376857	MOTOR MOUNT ARM (QTY 3)	
41	B1368000	BLOWER WHEEL (11 X 10) (M6, M7, M8, M9, M10, M11, M12, M13)	
41	B1368016	WHEEL, BLOWER, 10X8 (M1, M2)	
41	D6723303	WHEEL-BLOWER (M3, M4, M5)	
51	B1392918	WASHER FLAT 1/4 ID X 1 OD (QTY 3)	
61	B1393323	SCREW,MACHI HWH 1/4-20X1 1/2 BZ	
81	M0250565	TC SCREW 1.25" (QTY 3)	
101	B1393800	LOCKNUT, NYLON, INSERT 1/4, 20	
121	0131M00747M	CONTROLLERLESS MOTOR (M6, M7, M8, M9, M10)	
121	0131M00749M	CONTROLLERLESS MOTOR (M11, M12, M13)	
121	0131M00750M	CONTROLLERLESS MOTOR (M1, M2, M3, M4, M5)	
121	0131G00017	PROGRAMMED CONTROLLER (M1, M2)	
121	0131G00021	PROGRAMMED CONTROLLER (M11)	
121	0131G00055	PROGRAMMED CONTROLLER (M12)	
121	0131G00094	PROGRAMMED CONTROLLER (M13)	
121	0131G00119	PROGRAMMED CONTROLLER (M3, M4, M5)	
121	0131G00120	PROGRAMMED CONTROLLER (M6, M7)	
121	0131G00121	PROGRAMMED CONTROLLER (M8, M9, M10)	
131	20269903	LIMIT	
151	2509503	BRACKET F/ROLLOUT SWUT SWITCH	
161	0271G00025	BLOWER HOUSING ASSY (10X8) (M1, M2)	
161	0271G00024	BLOWER HOUSING ASSY (10X9) (M3, M4, M5)	
161	2539309	BLOWER HOUSING ASSY (11X10) (M6, M7, M8, M9, M10, M11, M12, M13)	
171	764742	BLOCK OFF - BLOWER (M3, M4, M5)	
171	1864703	BLOWER CUT-OFF ASM,5TON,MORRIS (M6, M7, M8, M9, M10, M11, M12, M13)	
171	764740	BLWR BLK-OFF,10X8 (M1, M2)	
NS	0121G00148	SINGLE COVER, DOWN DISCHARGE (QTY 2)	

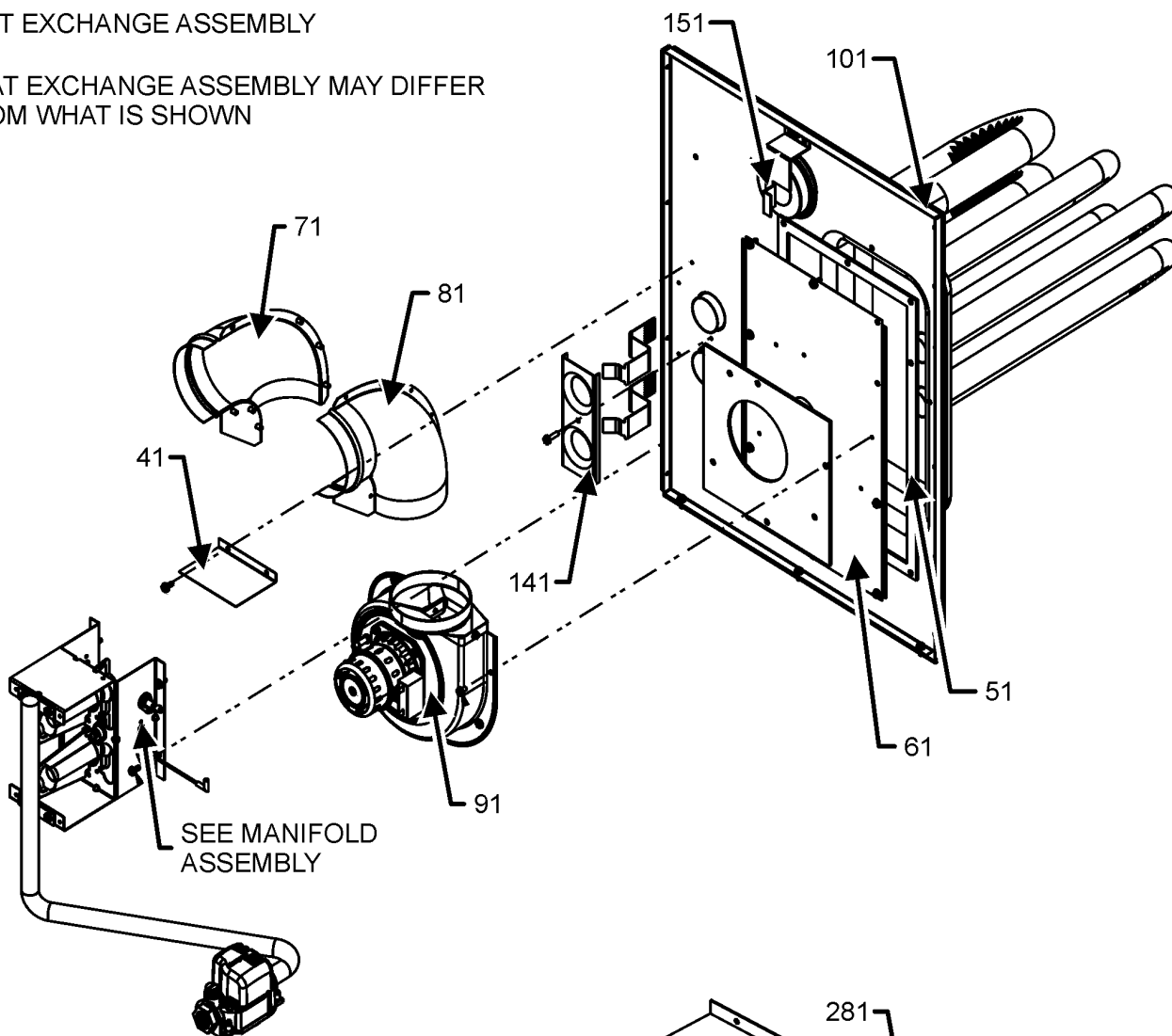
Expanded Model Nomenclature

M1 - GPG1430040M41CA
M2 - GPG1430060M41CA
M3 - GPG1436040M41CA
M4 - GPG1436060M41CA
M5 - GPG1436080M41CA
M6 - GPG1442060M41CA
M7 - GPG1442080M41CA
M8 - GPG1448060M41CA
M9 - GPG1448080M41CA
M10 - GPG1448100M41CA
M11 - GPG1461080M41CA
M12 - GPG1461100M41CA
M13 - GPG1461120M41CA

Heat Exchange and Manifold Assembly

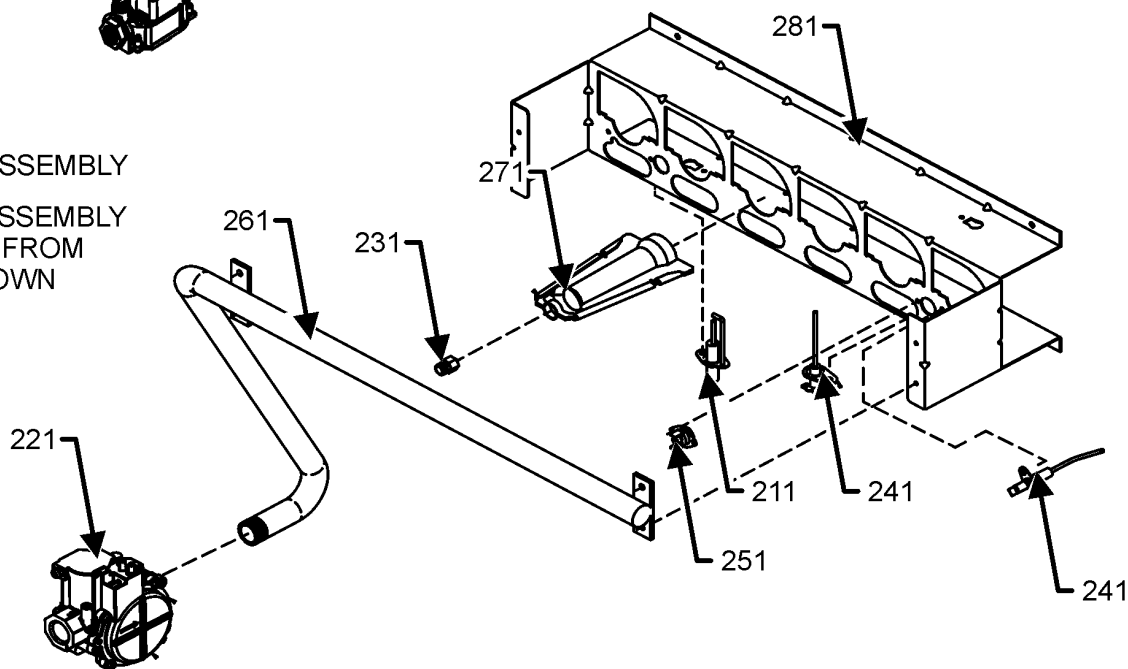
HEAT EXCHANGE ASSEMBLY

HEAT EXCHANGE ASSEMBLY MAY DIFFER FROM WHAT IS SHOWN



MANIFOLD ASSEMBLY

MANIFOLD ASSEMBLY MAY DIFFER FROM WHAT IS SHOWN

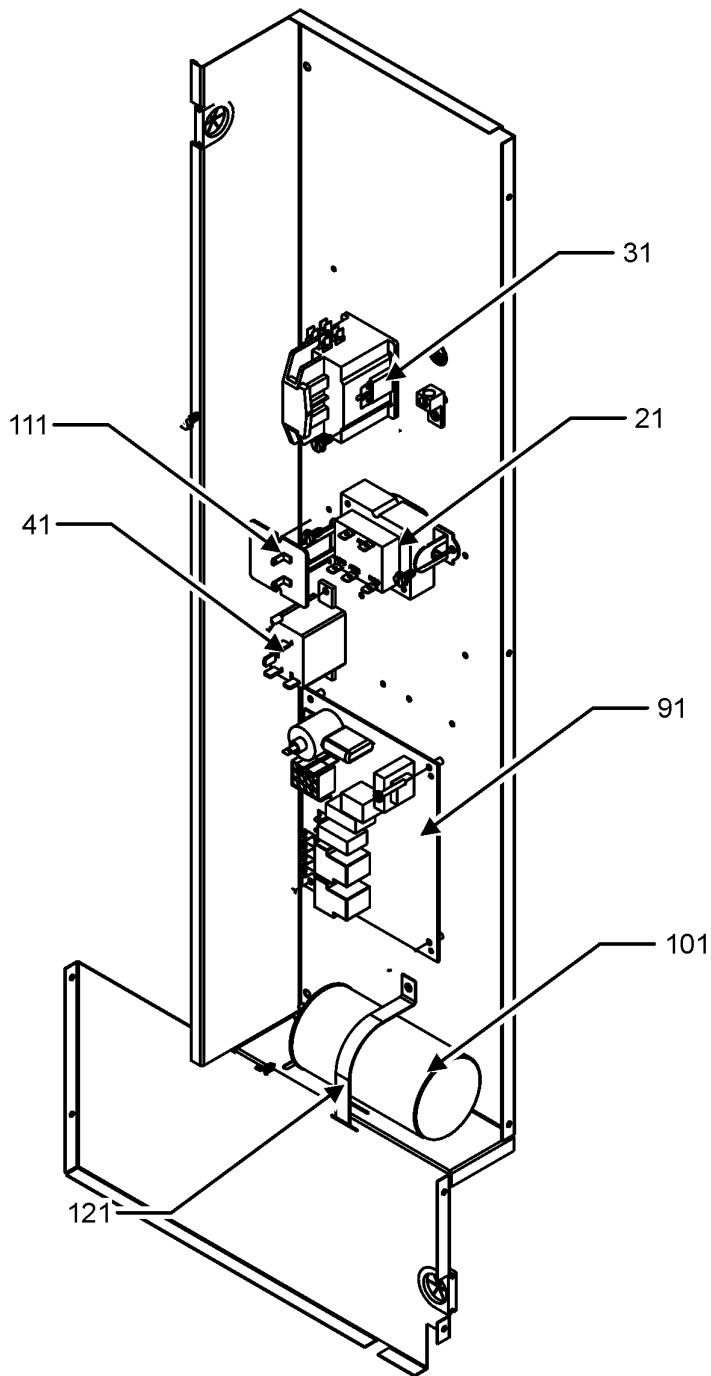


Heat Exchange and Manifold Assembly

Ref. Part No:	Ref. Part No:	Description:	Description:
Image 1:		Expanded Model Nomenclature	
41	11190202	DEFLECTOR HEAT PKG	M1 - GPG1430040M41 CA
51	0154G00020	GASKET-ID BLOWER & PLATE (M1, M2, M3, M4, M5)	M2 - GPG1430060M41 CA
51	0154G00021	GASKET-ID BLOWER & PLATE (M6, M7, M8, M9, M10, M11, M12, M13)	M3 - GPG1436040M41 CA
61	0121G00739	PLATE-ID BLOWER (M1, M3)	M4 - GPG1436060M41 CA
61	0121G00740	PLATE-ID BLOWER (M2, M4)	M5 - GPG1436080M41 CA
61	0121G00741	PLATE-ID BLOWER (M5)	M6 - GPG1442060M41 CA
61	0121G00742	PLATE-ID BLOWER (M10)	M7 - GPG1442080M41 CA
61	0121G00743	PLATE-ID BLOWER (M12)	M8 - GPG1448060M41 CA
61	0121G00744	PLATE-ID BLOWER (M6, M8)	M9 - GPG1448080M41 CA
61	0121G00745	PLATE-ID BLOWER (M7, M9, M11)	M10 - GPG1448100M41 CA
61	0121G00746	PLATE-ID BLOWER (M13)	M11 - GPG1461080M41 CA
71	20484401	FLUE ELBOW LEFT	M12 - GPG1461100M41 CA
81	20484402	FLUE ELBOW RIGHT	M13 - GPG1461120M41 CA
91	0131G00000P	BLOWER-ID (M1, M2, M3, M4, M5, M6, M7, M8, M9, M10)	
91	0131G00001	BLOWER-ID (M11, M12, M13)	
101	20490714	ASSY, PART/TUBE (M1, M3)	
101	20490716	ASSY, PART/TUBE (M6, M8)	
101	20490707	PART/TUBE ASSY 3B (M2, M4)	
101	20490703	PART/TUBE ASSY 4B (M5)	
101	20490704	PART/TUBE ASSY 4B (M7, M9, M11)	
101	20490705	PART/TUBE ASSY 5B (M10, M12)	
101	20490706	PART/TUBE ASSY 6B (M13)	
141	11072201	SHIELD-ORF CO FUR (M1, M3)	
141	11072202	SHIELD-ORF CO FUR (M2, M4, M6, M8)	
141	11072203	SHIELD-ORF CO FUR (M5, M7, M9, M11)	
141	11072204	SHIELD-ORF CO FUR (M10, M12)	
141	11072205	SHIELD-ORF CO FUR (M13)	
151	11112501	PRESSURE SWITCH	
211	0130F00014	IGNITOR	
221	0151F00000P	GAS VALVE (M11, M12, M13)	
221	0151M00037	GAS VALVE (M1, M2, M3, M4, M5, M6, M7, M8, M9, M10)	
231	10716005	ORIFICE (QTY 2)	
241	0130F00010	FLAME SENSOR	
251	10123532	LIMIT-RESET MAN-GRAY (M1, M2, M3, M4, M5, M6, M7, M8, M9, M10)	
251	10123529	LIMIT-RESET MAN-GREEN (M11, M12, M13)	
261	20493103	MANIFOLD- 3 BRNR 32 (M2, M4)	
261	20493104	MANIFOLD- 4 BRNR 32 (M5)	
261	20493105	MANIFOLD- 4 BRNR 38 (M7, M9, M11)	
261	20493106	MANIFOLD- 5 BRNR 38 (M10, M12)	
261	20493107	MANIFOLD- 6 BRNR 38 (M13)	
261	0121M00035P	MANIFOLD-2 BURNER (M1, M3)	
261	0121M00036P	MANIFOLD-3 BURNER (M6, M8)	
271	0163F00017	BECKETT BURNER (QTY 2)	
281	20190410	BRKT-BURNER 2B FUR (M1, M3)	
281	0121L02164	BRKT-BURNER 3B FUR (M2, M4, M6, M8)	
281	20190412	BRKT-BURNER 4B FUR (M5, M7, M9, M11)	
281	20190413	BRKT-BURNER 5B FUR (M10, M12)	
281	0121G00886	BURNER BRACKET, 6 (M13)	
NS	0154G00011	ELBOW FLUE GASKET	
NS	0154G00013	ELBOW FLUE GASKET	

Control Panel Assembly

CONTROL BOX ASSEMBLY



CONTROL BOX ASSEMBLY
MAY DIFFER FROM WHAT
IS SHOWN

Control Panel Assembly

Ref. Part No:	No:	Description:	Ref. Part No:	No:	Description:
Image 1:					
21	0130M00138	TRANSFORMER, 208/230, 24V			
31	CONT1P030024V	CONT, 1 POLE, 30 AMP, 24 VAC (M1, M2, M3, M4, M5, M6, M7, M8, M9, M10)			
31	CONT2P040024V	CONT, 2 POLE, 40 AMP, 24 VAC (M11, M12, M13)			
41	B1370751	RELAY 24V (M1, M2, M3, M4, M5, M6, M7, M8, M9, M10)			
91	PCBAG127	PCB, IGNITION, DSI, 2 STG (M11, M12, M13)			
91	PCBAG123	PCB, IGNITION, DSI, INTEG (M1, M2, M3, M4, M5, M6, M7, M8, M9, M10)			
101	CAP100450440CS	CAP, 10/45 MFD/ 440V DUAL RD (M11, M12, M13)			
101	CAP100450440CS	CAP, 10/45 MFD/ 440V DUAL RD (M11, M12, M13)			
101	CAP050400440CT	CAP, 5/40 MFD/440V/DUAL RD (M1, M2)			
101	CAP050450440CT	CAP, 5/45 MFD/440V/DUAL RD (M3, M4, M5, M6, M7)			
111	10728342	LIMIT SWITCH (M1, M2, M3, M4, M5)			
111	10728343	LIMIT SWITCH (M11, M12, M13)			
111	10728344	LIMIT SWITCH (M6, M7, M8, M9, M10)			
121	20520901	CAPACITOR STRAP			
NS	0259G00209	BLOWER-HARNESS, SM (M1, M2, M3, M4, M5)			
NS	0259G00023	HARNESS BLOWER (M6, M7, M8, M9, M10)			
NS	0259G00083	HARNESS CONTROL (M6, M7, M8, M9, M10)			
NS	0259G00207	HARNESS CONTROL, FAN (M1, M2, M3, M4, M5)			
NS	0259G00233	PLUG ASSY 12 PIN MALE (M6, M7, M8, M9, M10)			
NS	0259G00192	WIRE HARNESS - 6 CIRCUIT (M11, M12, M13)			
NS	0259G00044	WIRE HARNESS-9 CIRCUIT (M11, M12, M13)			
NS	0259G00117	WIRE HARNESS-FAN (M11, M12, M13)			

Expanded Model Nomenclature

M1 - GPG1430040M41CA
M2 - GPG1430060M41CA
M3 - GPG1436040M41CA
M4 - GPG1436060M41CA
M5 - GPG1436080M41CA
M6 - GPG1442060M41CA
M7 - GPG1442080M41CA
M8 - GPG1448060M41CA
M9 - GPG1448080M41CA
M10 - GPG1448100M41CA
M11 - GPG1461080M41CA
M12 - GPG1461100M41CA
M13 - GPG1461120M41CA