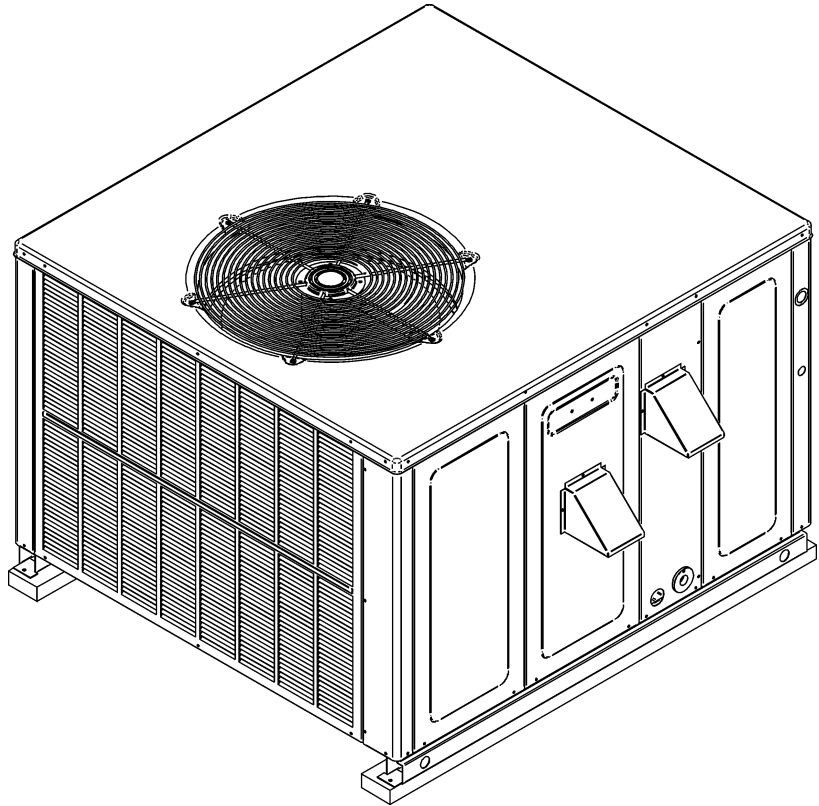


REPAIR PARTS

A/GPG13 Multi-Position Residential Package Gas Units

APG1324045M41DA
APG1324070M41DA
APG1342070M41DA
APG1342090M41DA
APG1348070M41EA
APG1348090M41EA
APG1348115M41EA
GPG1336070M41DB
GPG1336090M41DB
GPG1342070M41DA
GPG1342090M41DA
GPG1348070M41EA
GPG1348090M41EA
GPG1348090M41EB
GPG1348115M41EA
GPG1360090M41DB



Amana® is a registered trademark of Maytag Corporation or its related companies and is used under license. All rights reserved.

This manual is to be used by qualified technicians only.

This manual replaces RP-847B.

© 2015 -2016 Goodman Company, L.P. ♦ 5151 San Felipe St., Suite 500 ♦ Houston, TX 77056

Important Information

Index

Functional Parts List	3
Illustration and Parts	4 - 15

Views shown are for parts illustrations only, not servicing procedures

Text Codes:

AR - As Required

NA - Not Available

NS - Not Shown

00000000 - See Note

QTY - Quantity Example (QTY 3) (If Quantity not shown, Quantity = 1)

M - Model Example (M1) (If M Code not shown, then part is used on all Models)

Expanded Model Nomenclature:

Example M1 - Model#1 M2 - Model#2 M3 - Model#3

Goodman Company, L.P. is not responsible for personal injury or property damage resulting from improper service. Review all service information before beginning repairs.

Warranty service must be performed by an authorized technician, using authorized factory parts. If service is required after the warranty expires, Goodman Company, L.P. also recommends contacting an authorized technician and using authorized factory parts.

Goodman Company, L.P. reserves the right to discontinue, or change at any time, specifications or designs without notice or without incurring obligations.

For assistance within the U.S.A. contact:

Consumer Affairs Department
Goodman Company, L.P.
7401 Security Way
Houston, Texas 77040
877-254-4729-Telephone
713-863-2382-Facsimile

For assistance outside the U.S.A. contact:

International Division
Goodman Company, L.P.
7401 Security Way
Houston, Texas 77040
713-861-2500-Telephone
713-863-2382-Facsimile

Functional Parts

Part

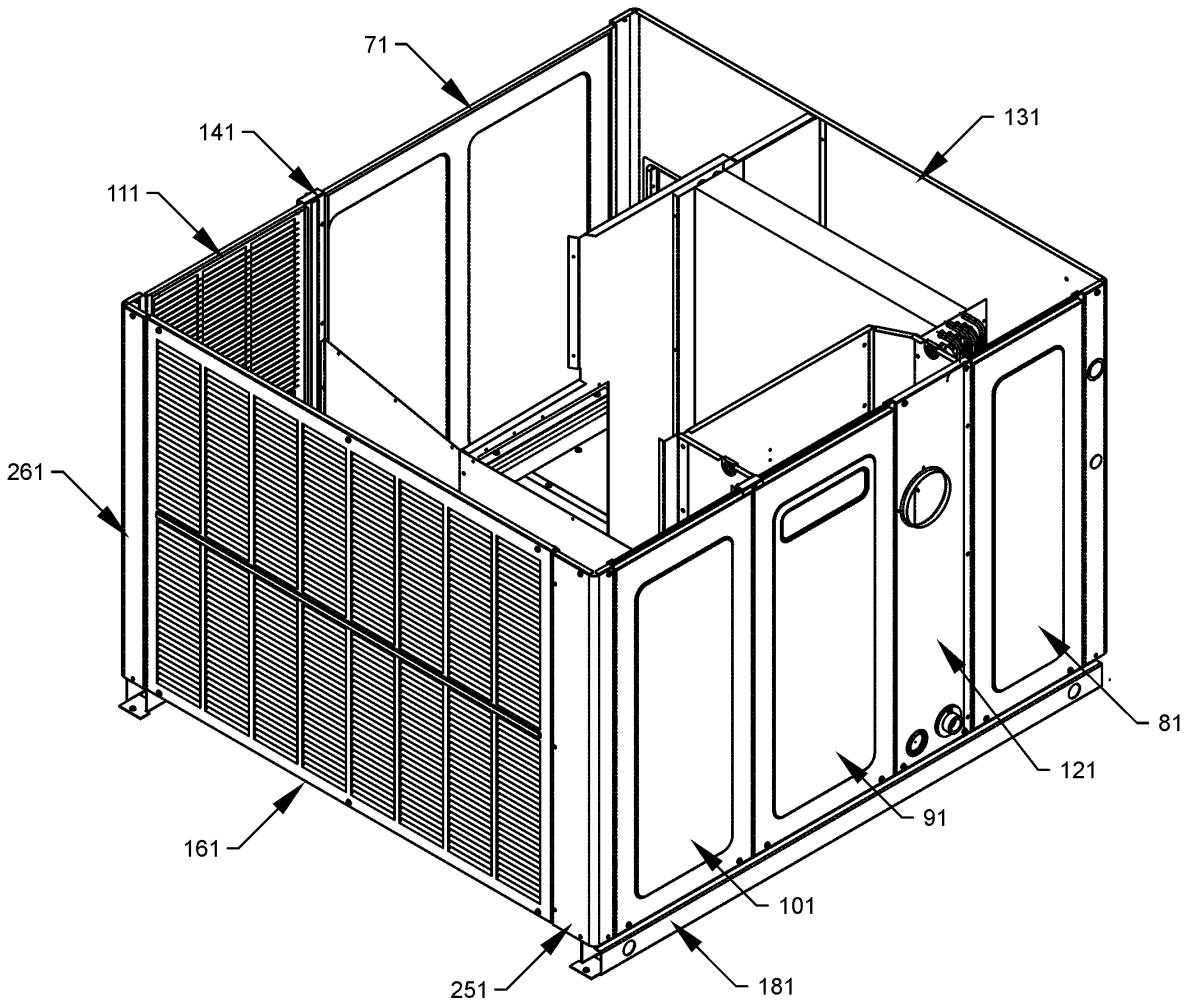
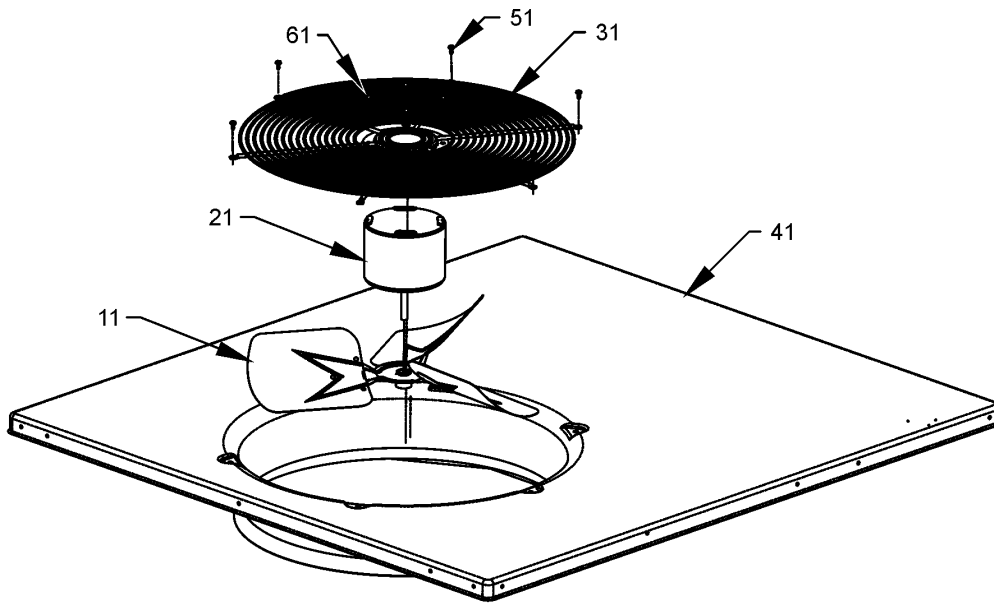
No: Description:

B1370751	24V RELAY (M5, M6, M7, M12, M13, M14, M15)
0130M00242	24V RELAY (M16)
20269903	AUXILIARY LIMIT, AUTO RESET
10735102	BECKETT BURNER (QTY 2)
11091203	BLOWER MOTOR 1/3 HP, 3 SP, 6 PL (M3, M4, M8, M9, M10, M11)
11091207	BLOWER MOTOR 1/4 HP, 3 SP, 8 PL (M1, M2)
D6723303	BLOWER WHEEL (M8, M9)
D6723306	BLOWER WHEEL (M3, M4, M10, M11)
B1368058	BLOWER WHEEL 10 X 8 (M1, M2)
B1368000	BLOWER WHEEL 11 X 10 (M5, M6, M7, M12, M13, M14, M15, M16)
CAP100000370LA	CAPACITOR 10/370V (M1, M2, M3, M4, M8, M9, M10, M11)
CAP050350440CS	CAPACITOR 5/35/440V (M1, M2)
CAP050450440CT	CAPACITOR 5/45/440V/DUAL RD (M3, M4, M5, M6, M7, M8, M9, M10, M11, M12, M13, M14, M15)
CAP050700440CT	CAPACITOR 5/70/440V/DUAL RD (M16)
ZP20K5EPFV130	COMPRESSOR 20000, 208/230/60/1 (M1, M2)
ZP31K5EPFV130	COMPRESSOR 31100, 208/230/60/1 (M8, M9)
ZP34K5EPFV130	COMPRESSOR 34500, 208/230/60/1 (M3, M4, M10, M11)
ZP39K5EPFV130	COMPRESSOR 39000, 208/230/60/1 (M5, M6, M7, M12, M13, M14, M15)
ZP51K5EPFV130	COMPRESSOR 51000, 208/230/60/1 (M16)
0131M00061	COND MOTOR 1/4 HP, 1 SP, 8 PL (M8, M9)
0131M00429	COND MOTOR 1/4 HP, 1 SP, 6 PL (M3, M4, M5, M6, M7, M10, M11, M12, M13, M14, M15, M16)
0131M00009P	COND MOTOR 1/6 HP, 1 SP, 8 PL (M1, M2)
CONT1P025024V	CONTACTOR 25 AMP, 1P, 24V (M1, M2, M8, M9)
CONT1P030024V	CONTACTOR 30 AMP, 1P, 24V (M3, M4, M5, M6, M7, M10, M11, M12, M13, M14, M15, M16)
0130M00074	CUT-OUT SWITCH, HIGH PRESSURE
0130F00010	FLAME SENSOR
0151M00013	GAS VALVE (HW) SINGLE STAGE
PCBAG123	IGNITION BOARD, DSI INTEGRATED
0130F00014	IGNITOR
10728342	LIMIT SWITCH (M1, M2)
10728344	LIMIT SWITCH (M3, M4, M5, M6, M7, M10, M11, M12, M13, M14, M15, M16)
10728343	LIMIT SWITCH (M8, M9)
10123532	MANUAL RESET LIMIT 350°F
0131G00007	MOTOR, ID BLOWER
11112501	PRESSURE SWITCH
0131M00442	PROGRAMMED MOTOR (M5, M6, M7, M12, M13, M14, M15)
0131M00443	PROGRAMMED MOTOR (M16)
0130M00138	TRANSFORMER 208/230, 24V
DY6.186.070	VENT MOTOR CAPACITOR

Expanded Model Nomenclature

M1 - APG1324045M41DA
M2 - APG1324070M41DA
M3 - APG1342070M41DA
M4 - APG1342090M41DA
M5 - APG1348070M41EA
M6 - APG1348090M41EA
M7 - APG1348115M41EA
M8 - GPG1336070M41DB
M9 - GPG1336090M41DB
M10 - GPG1342070M41DA
M11 - GPG1342090M41DA
M12 - GPG1348070M41EA
M13 - GPG1348090M41EA
M14 - GPG1348090M41EB
M15 - GPG1348115M41EA
M16 - GPG1360090M41DB

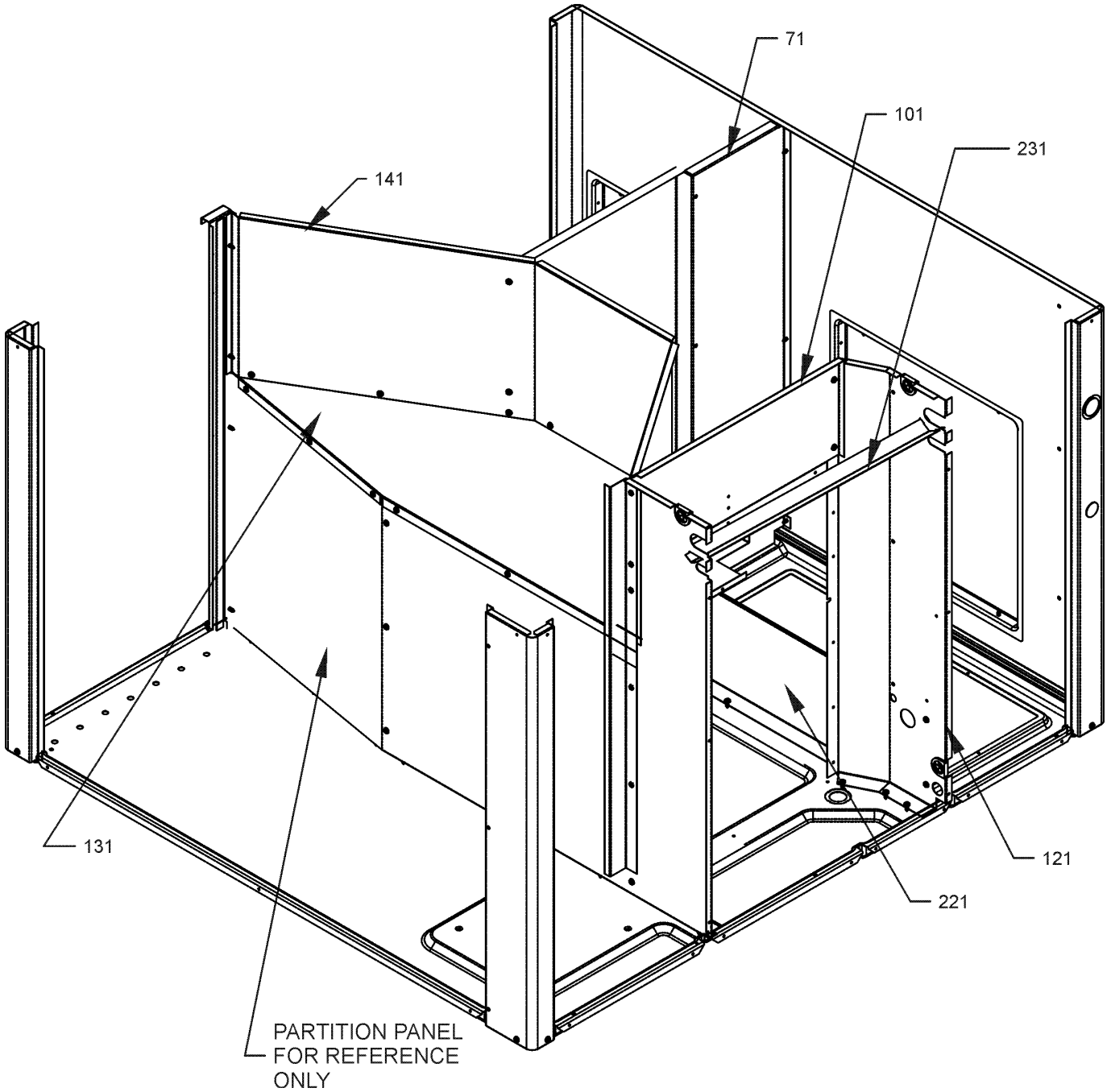
Top Panel / Fan / Cabinet



Top Panel / Fan / Cabinet

Ref. Part No: No:	Description:	Ref. Part No: No:	Description:																
Image 1:		Image 1:																	
11	B1086773 FAN BLADE 22" (M1, M2)	NS	0121G00323 FLUE HOOD (QTY 2)																
11	0150G00002 FAN BLADE SWEPT-WING (M8, M9)	NS	0121G00190 FLUE HOOD-LOWER																
11	0150G00003 FAN BLADE SWEPT-WING (M3, M4, M5, M6, M7, M10, M11, M12, M13, M14, M15, M16)	NS	B1910012 GAS LINE GROMMET																
21	0131M00061 COND MOTOR 1/4 HP, 1 SP, 8 PL (M8, M9)	NS	17788000083F PVC CONDUIT 8.25"																
21	0131M00429 COND MOTOR 1/4 HP, 1 SP, 6 PL (M3, M4, M5, M6, M7, M10, M11, M12, M13, M14, M15, M16)	NS	20472601 SCREEN-FLUE HOOD																
21	0131M00009P COND MOTOR 1/6 HP, 1 SP, 8 PL (M1, M2)	Expanded Model Nomenclature																	
31	0152G00003 FAN GRILLE	<table border="1"> <tr><td>M1 - APG1324045M41DA</td></tr> <tr><td>M2 - APG1324070M41DA</td></tr> <tr><td>M3 - APG1342070M41DA</td></tr> <tr><td>M4 - APG1342090M41DA</td></tr> <tr><td>M5 - APG1348070M41EA</td></tr> <tr><td>M6 - APG1348090M41EA</td></tr> <tr><td>M7 - APG1348115M41EA</td></tr> <tr><td>M8 - GPG1336070M41DB</td></tr> <tr><td>M9 - GPG1336090M41DB</td></tr> <tr><td>M10 - GPG1342070M41DA</td></tr> <tr><td>M11 - GPG1342090M41DA</td></tr> <tr><td>M12 - GPG1348070M41EA</td></tr> <tr><td>M13 - GPG1348090M41EA</td></tr> <tr><td>M14 - GPG1348090M41EB</td></tr> <tr><td>M15 - GPG1348115M41EA</td></tr> <tr><td>M16 - GPG1360090M41DB</td></tr> </table>		M1 - APG1324045M41DA	M2 - APG1324070M41DA	M3 - APG1342070M41DA	M4 - APG1342090M41DA	M5 - APG1348070M41EA	M6 - APG1348090M41EA	M7 - APG1348115M41EA	M8 - GPG1336070M41DB	M9 - GPG1336090M41DB	M10 - GPG1342070M41DA	M11 - GPG1342090M41DA	M12 - GPG1348070M41EA	M13 - GPG1348090M41EA	M14 - GPG1348090M41EB	M15 - GPG1348115M41EA	M16 - GPG1360090M41DB
M1 - APG1324045M41DA																			
M2 - APG1324070M41DA																			
M3 - APG1342070M41DA																			
M4 - APG1342090M41DA																			
M5 - APG1348070M41EA																			
M6 - APG1348090M41EA																			
M7 - APG1348115M41EA																			
M8 - GPG1336070M41DB																			
M9 - GPG1336090M41DB																			
M10 - GPG1342070M41DA																			
M11 - GPG1342090M41DA																			
M12 - GPG1348070M41EA																			
M13 - GPG1348090M41EA																			
M14 - GPG1348090M41EB																			
M15 - GPG1348115M41EA																			
M16 - GPG1360090M41DB																			
41	0121G00156PDG PNL, TOP, PNT																		
51	M0221817 SMALL SCREW (QTY 6)																		
61	0163M00006P ACORN NUT 5/16 HEX BLACK (QTY 4)																		
71	20464801PDG BLOWER DOOR 32" (M1, M2, M8, M9)																		
71	20464806PDG BLOWER DOOR 40" (M3, M4, M5, M6, M7, M10, M11, M12, M13, M14, M15, M16)																		
81	20464802PDG EVAP/CONTROL DOOR 32" (M1, M2, M8, M9)																		
81	20464807PDG EVAP/CONTROL DOOR 40" (M3, M4, M5, M6, M7, M10, M11, M12, M13, M14, M15, M16)																		
91	0121G00526DG HEAT EXCHANGER DOOR 32" (M1, M2, M8, M9)																		
91	0121G00527DG HEAT EXCHANGER DOOR 38" (M3, M4, M5, M6, M7, M10, M11, M12, M13, M14, M15, M16)																		
101	20464804PDG COMPRESSOR DOOR 32" (M1, M2, M8, M9)																		
101	20464809PDG COMPRESSOR DOOR 40" (M3, M4, M5, M6, M7, M10, M11, M12, M13, M14, M15, M16)																		
111	0121G00465DG LOUVERED PANEL, COND SIDE 32" (M8, M9)																		
111	20467701PLG LOUVERED PANEL, COND SIDE 32" (M1, M2)																		
111	0121G00467DG LOUVERED PANEL, COND SIDE 40" (M16)																		
111	20467702PDG LOUVERED PANEL, COND SIDE 40" (M10, M11, M12, M13, M14, M15)																		
111	20467702PLG LOUVERED PANEL, COND SIDE 40" (M3, M4, M5, M6, M7)																		
121	20466101PDG UTILITY PANEL 32" (M1, M2, M8, M9)																		
121	20466102PDG UTILITY PANEL 40" (M3, M4, M5, M6, M7, M10, M11, M12, M13, M14, M15, M16)																		
131	0121G00673DG PNL, DUCT, GAS 32.5" (M1, M2, M8, M9)																		
131	0121G00674DG PNL, DUCT, GAS 40" (M3, M4, M5, M6, M7, M10, M11, M12, M13, M14, M15, M16)																		
141	0121G00460 SUPPORT POST 32" (M1, M2, M8, M9)																		
141	0121G00462 SUPPORT POST 40" (M3, M4, M5, M6, M7, M10, M11, M12, M13, M14, M15, M16)																		
161	20464401PDG LOUVERED PANEL, COND SIDE 32" (M8, M9)																		
161	20464401PLG LOUVERED PANEL, COND SIDE 32" (M1, M2)																		
161	20464402PDG LOUVERED PANEL, COND SIDE 40" (M10, M11, M12, M13, M14, M15, M16)																		
161	20464402PLG LOUVERED PANEL, COND SIDE 40" (M3, M4, M5, M6, M7)																		
181	0121G00290 BASE PAN RAIL (QTY 2)																		
251	0121G00453DG CORNER POST-COMP END 32" (M8, M9)																		
251	20464201PDG CORNER POST-COMP END 32" (M1, M2)																		
251	0121G00455DG CORNER POST-COMP END 40" (M16)																		
251	20464202PDG CORNER POST-COMP END 40" (M3, M4, M5, M6, M7, M10, M11, M12, M13, M14, M15)																		
261	0121G00454DG CORNER POST-HAIRPIN END 32" (M8, M9)																		
261	20464301PDG CORNER POST-HAIRPIN END 32" (M1, M2)																		
261	0121G00456DG CORNER POST-HAIRPIN END 40" (M16)																		
261	20464302PDG CORNER POST-HAIRPIN END 40" (M3, M4, M5, M6, M7, M10, M11, M12, M13, M14, M15)																		

Partition Assembly



Partition Assembly

Ref. Part No:	No:	Description:	Ref. Part No:	No:	Description:
Image 1:					
71	20465305	BLOWER DIVIDER (M1, M2)			
71	20465306	BLOWER DIVIDER (M3, M4, M10, M11)			
71	20465304	BLOWER DIVIDER 32" 10 X 9 (M8, M9)			
71	20465302	BLOWER DIVIDER 38" (M5, M6, M7, M12, M13, M14, M15, M16)			
101	20465201	FILLER PANEL, HEAT EXCHANGER 32" (M1, M2, M8, M9)			
101	20465202	FILLER PANEL, HEAT EXCHANGER 40" (M3, M4, M5, M6, M7, M10, M11, M12, M13, M14, M15, M16)			
121	20465501	EVAP/HEAT EXCHANGER DIVIDER 32" (M1, M2, M8, M9)			
121	20465502	EVAP/HEAT EXCHANGER DIVIDER 38" (M3, M4, M5, M6, M7, M10, M11, M12, M13, M14, M15, M16)			
131	20465701	FAN PARTITION SHELF			
141	20465801	FAN SURROUND 32" (M1, M2, M8, M9)			
141	20465802	FAN SURROUND 40" (M3, M4, M5, M6, M7, M10, M11, M12, M13, M14, M15, M16)			
221	20463802	EVAP/BASEPAN BLOCK 32" (M1, M2, M8, M9)			
221	20463801	EVAP/BASEPAN BLOCK 40" (M3, M4, M5, M6, M7, M10, M11, M12, M13, M14, M15, M16)			
231	0121G00555	DRAIN CHANNEL, SUCTION TUBE			

Expanded Model Nomenclature

- M1 - APG1324045M41DA
- M2 - APG1324070M41DA
- M3 - APG1342070M41DA
- M4 - APG1342090M41DA
- M5 - APG1348070M41EA
- M6 - APG1348090M41EA
- M7 - APG1348115M41EA
- M8 - GPG1336070M41DB
- M9 - GPG1336090M41DB
- M10 - GPG1342070M41DA
- M11 - GPG1342090M41DA
- M12 - GPG1348070M41EA
- M13 - GPG1348090M41EA
- M14 - GPG1348090M41EB
- M15 - GPG1348115M41EA
- M16 - GPG1360090M41DB

Basepan / Blower Assembly

Image 1

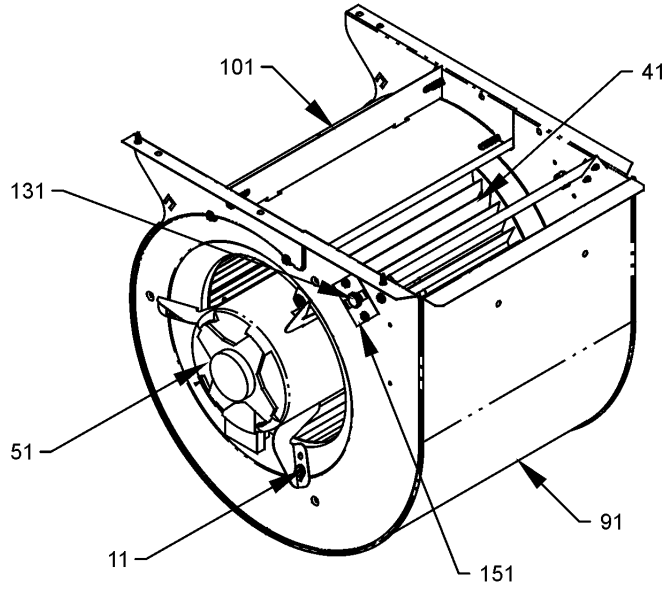
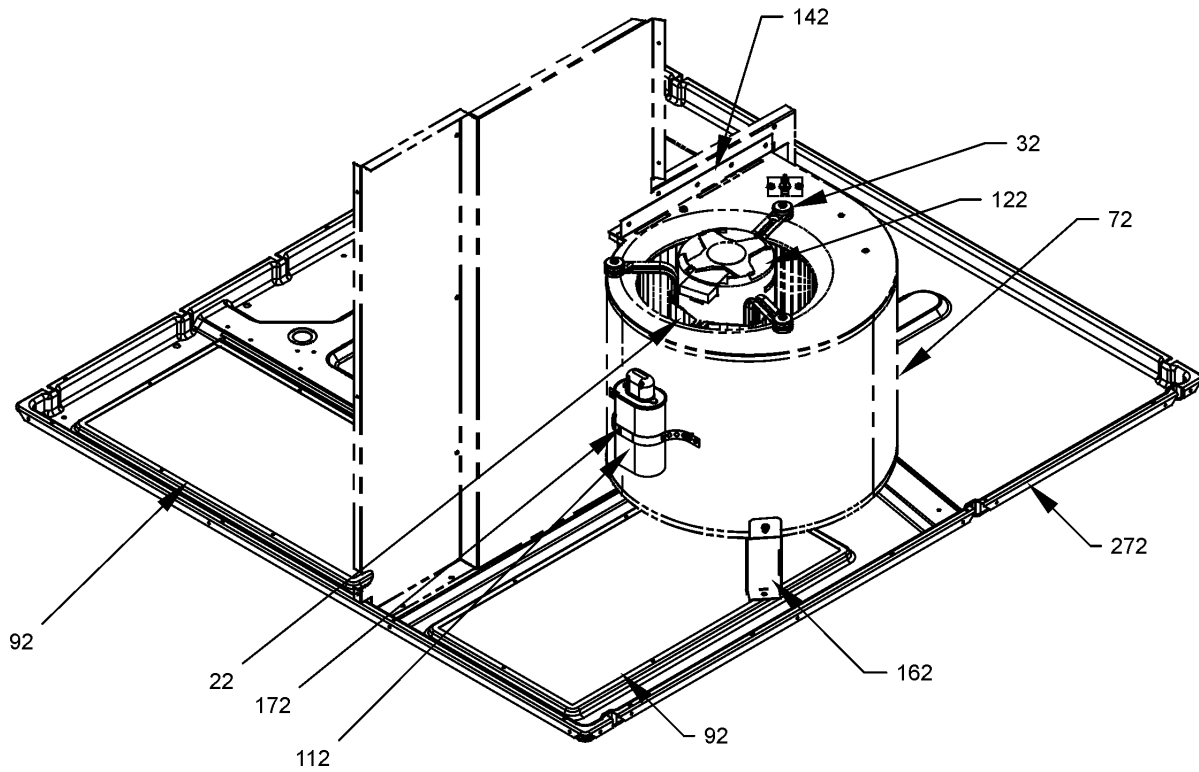


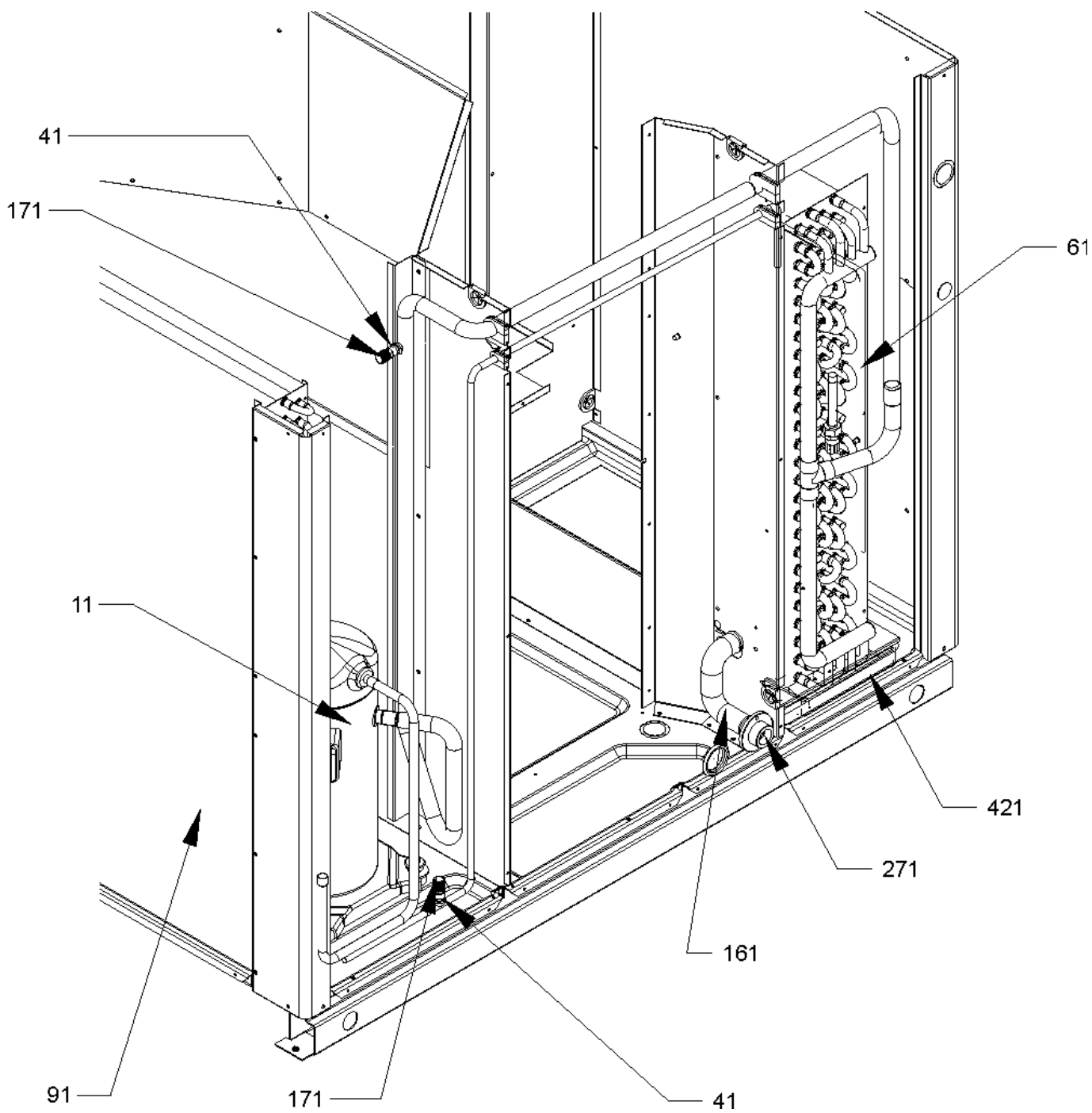
Image 2



Basepan / Blower Assembly

Ref. Part No:	No:	Description:	Ref. Part No:	No:	Description:
Image 1:			Expanded Model Nomenclature		
11	M0250558	TC SCREW (M1, M2, M3, M4, M8, M9, M10, M11)	M1	-	APG1324045M41DA
11	M0250565	TC SCREW 1.25" (M5, M6, M7, M12, M13, M14, M15, M16)	M2	-	APG1324070M41DA
41	D6723303	BLOWER WHEEL (M8, M9)	M3	-	APG1342070M41DA
41	D6723306	BLOWER WHEEL (M3, M4, M10, M11)	M4	-	APG1342090M41DA
41	B1368058	BLOWER WHEEL 10 X 8 (M1, M2)	M5	-	APG1348070M41EA
41	B1368000	BLOWER WHEEL 11 X 10 (M5, M6, M7, M12, M13, M14, M15, M16)	M6	-	APG1348090M41EA
51	11091203	BLOWER MOTOR 1/3 HP, 3 SP, 6 PL (M3, M4, M8, M9, M10, M11)	M7	-	APG1348115M41EA
51	11091207	BLOWER MOTOR 1/4 HP, 3 SP, 8 PL (M1, M2)	M8	-	GPG1336070M41DB
91	0271F00057	BLOWER HOUSING ASSY 10 X 10 (M3, M4, M10, M11)	M9	-	GPG1336090M41DB
91	0271F00001P	BLOWER HOUSING ASSY 10 X 8 (M1, M2)	M10	-	GPG1342070M41DA
91	0271G00024	BLOWER HOUSING ASSY 10 X 9 (M8, M9)	M11	-	GPG1342090M41DA
101	764742	BLOWER BLOCK-OFF (M8, M9)	M12	-	GPG1348070M41EA
101	764741	BLOWER BLOCK-OFF 10 X 10 (M3, M4, M10, M11)	M13	-	GPG1348090M41EA
101	764740	BLOWER BLOCK-OFF 10 X 8 (M1, M2)	M14	-	GPG1348090M41EB
101	1864703F	BLOWER CUT-OFF (M5, M6, M7, M12, M13, M14, M15, M16)	M15	-	GPG1348115M41EA
131	20269903	AUXILIARY LIMIT, AUTO RESET	M16	-	GPG1360090M41DB
151	2509503F	AUXILIARY LIMIT BRACKET			
151	2509503F	AUXILIARY LIMIT BRACKET			
NS	B1392143	GROMMET, 26TAL F/TORSIN FLEX (M1, M2, M3, M4, M10, M11)			
Image 2:					
22	0121M00038	MOTOR MOUNT BAND (M5, M6, M7, M12, M13, M14, M15, M16)			
32	B1376857	MOTOR MOUNT ARM (M5, M6, M7, M12, M13, M14, M15, M16)			
72	2539309	BLOWER HOUSING ASSY 11 X 10 (M5, M6, M7, M12, M13, M14, M15, M16)			
92	0121G00148	SINGLE COVER, DOWN DISCHARGE (QTY 2)			
112	CAP100000370LA	CAPACITOR 10/370V (M1, M2, M3, M4, M8, M9, M10, M11)			
122	0131M00442	PROGRAMMED MOTOR (M5, M6, M7, M12, M13, M14, M15)			
122	0131M00443	PROGRAMMED MOTOR (M16)			
142	20463701	11 X 10 BLOWER MOUNTING (M5, M6, M7, M12, M13, M14, M15, M16)			
162	4322801	11 X 10 BLOWER SUPPORT LRG (M5, M6, M7, M12, M13, M14, M15, M16)			
172	20520901	CAPACITOR STRAP (M1, M2, M3, M4, M8, M9, M10, M11)			
272	0121G00444	BASEPAN, PACKAGE			
NS	B821700	CAPACITOR BOOT (M1, M2, M3, M4, M8, M9, M10, M11)			
NS	B1393800	LOCKNUT, NYLON, INSERT 1/4, 20 (M5, M6, M7, M12, M13, M14, M15, M16)			
NS	B1393561	SCREW,HWH,10X1/2,SD,BZ,UNSL0TD (M1, M2, M3, M4, M8, M9, M10, M11)			
NS	B1393553	SCREW,HWH,14X5/8,A,BZ,SLOT (M5, M6, M7, M12, M13, M14, M15, M16)			

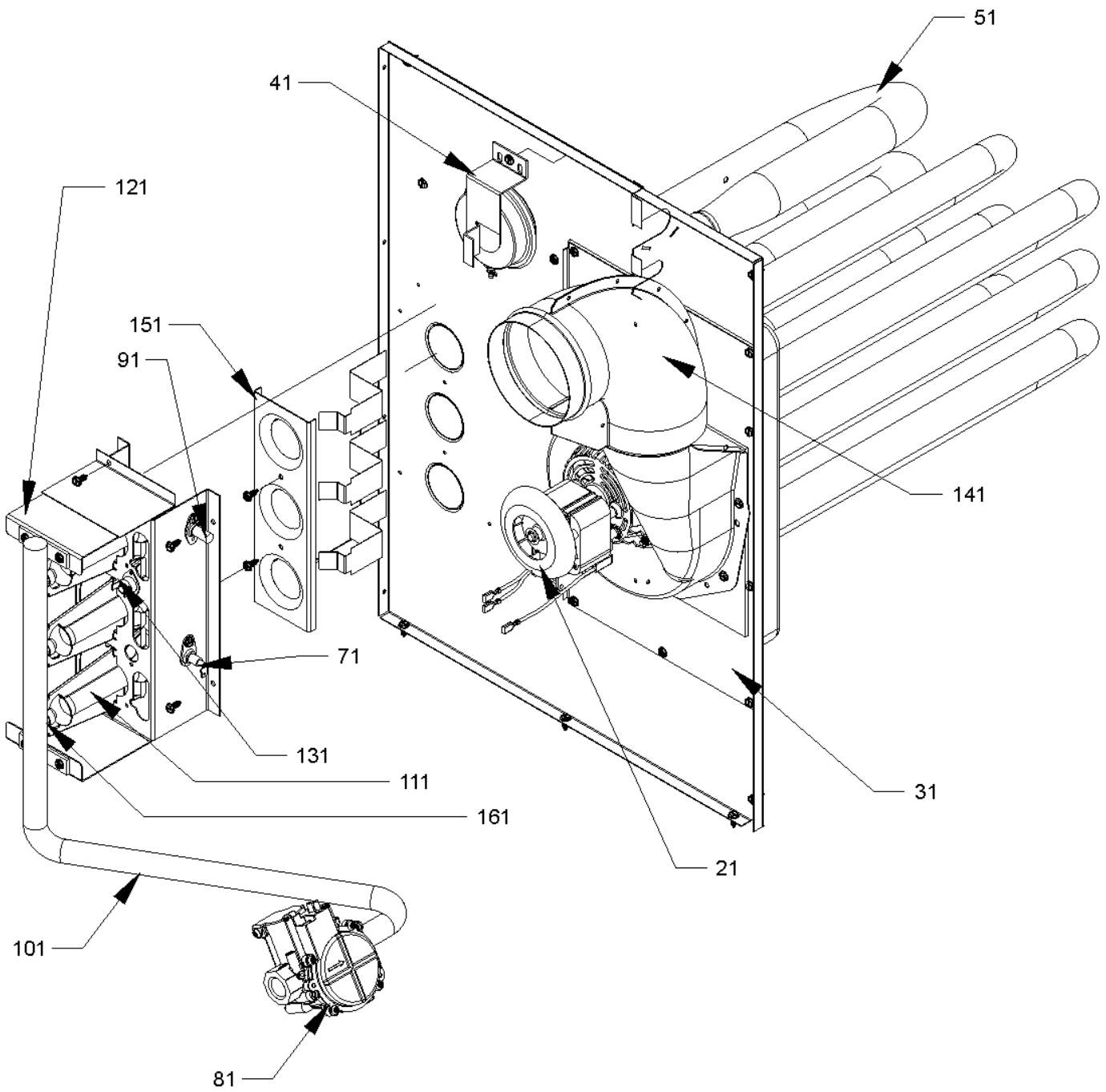
Compressor / Tubing Assembly



Compressor / Tubing Assembly

Ref. Part No: No:	Description:	Ref. Part No: No:	Description:
<i>Image 1:</i>		Expanded Model Nomenclature	
11	ZP20K5EPFV130	COMPRESSOR 20000, 208/230/60/1 (M1, M2)	M1 - APG1324045M41DA
11	ZP31K5EPFV130	COMPRESSOR 31100, 208/230/60/1 (M8, M9)	M2 - APG1324070M41DA
11	ZP34K5EPFV130	COMPRESSOR 34500, 208/230/60/1 (M3, M4, M10, M11)	M3 - APG1342070M41DA
11	ZP39K5EPFV130	COMPRESSOR 39000, 208/230/60/1 (M5, M6, M7, M12, M13, M14, M15)	M4 - APG1342090M41DA
11	ZP51K5EPFV130	COMPRESSOR 51000, 208/230/60/1 (M16)	M5 - APG1348070M41EA
41	B1373315	ACCESS FITTING (QTY 2)	M6 - APG1348090M41EA
61	0202G00290	EVAP COIL ASSY (M8)	M7 - APG1348115M41EA
61	0202G00565	EVAP COIL ASSY (M1, M2)	M8 - GPG1336070M41DB
61	0202G00567	EVAP COIL ASSY (M9)	M9 - GPG1336090M41DB
61	0202G00569	EVAP COIL ASSY (M16)	M10 - GPG1342070M41DA
61	0202G00570	EVAP COIL ASSY (M3, M4, M10, M11)	M11 - GPG1342090M41DA
61	0202G00684	EVAP COIL ASSY (M5, M6, M7, M12, M13, M14, M15)	M12 - GPG1348070M41EA
91	0201G00139	COND COIL TUBING ASSY (M3, M4, M5, M6, M7, M10, M11, M12, M13, M14, M15)	M13 - GPG1348090M41EA
91	0201G00142	COND COIL TUBING ASSY (M1, M2)	M14 - GPG1348090M41EB
91	0201G00249	COND COIL TUBING ASSY (M8, M9)	M15 - GPG1348115M41EA
91	0201G00252	COND COIL TUBING ASSY (M16)	M16 - GPG1360090M41DB
161	20498302	DRAIN TUBE 32" (M1, M2, M8, M9)	
161	20498301	DRAIN TUBE 40" (M3, M4, M5, M6, M7, M10, M11, M12, M13, M14, M15, M16)	
171	0163M00175	CAP WITH O-RING (QTY 2)	
271	20513001	EVAP DRAIN FITTING	
421	20464901DF	DRAIN PAN-EVAP COIL	
NS	B1339533	COMPRESSOR GROMMET (QTY 4)	
NS	0159G00002	COMPRESSOR SCROLL HARNESS (M1, M2, M8, M9)	
NS	0159G00006	COMPRESSOR SCROLL HARNESS (M3, M4, M5, M6, M7, M10, M11, M12, M13, M14, M15, M16)	
NS	0130M00074	CUT-OUT SWITCH, HIGH PRESSURE	
NS	B1810011	HOSE CLAMP 1.25 (QTY 2)	
NS	B1219212	SINGLE-FLOW FILTER DRIER, STEEL (M1, M2, M8, M9)	
NS	B1219225	SINGLE-FLOW FILTER DRIER, STEEL (M3, M4, M5, M6, M7, M10, M11, M12, M13, M14, M15, M16)	
NS	M0221641	TF SHOULDER SCREW (QTY 4)	
NS	M0221641	TF SHOULDER SCREW (QTY 4)	

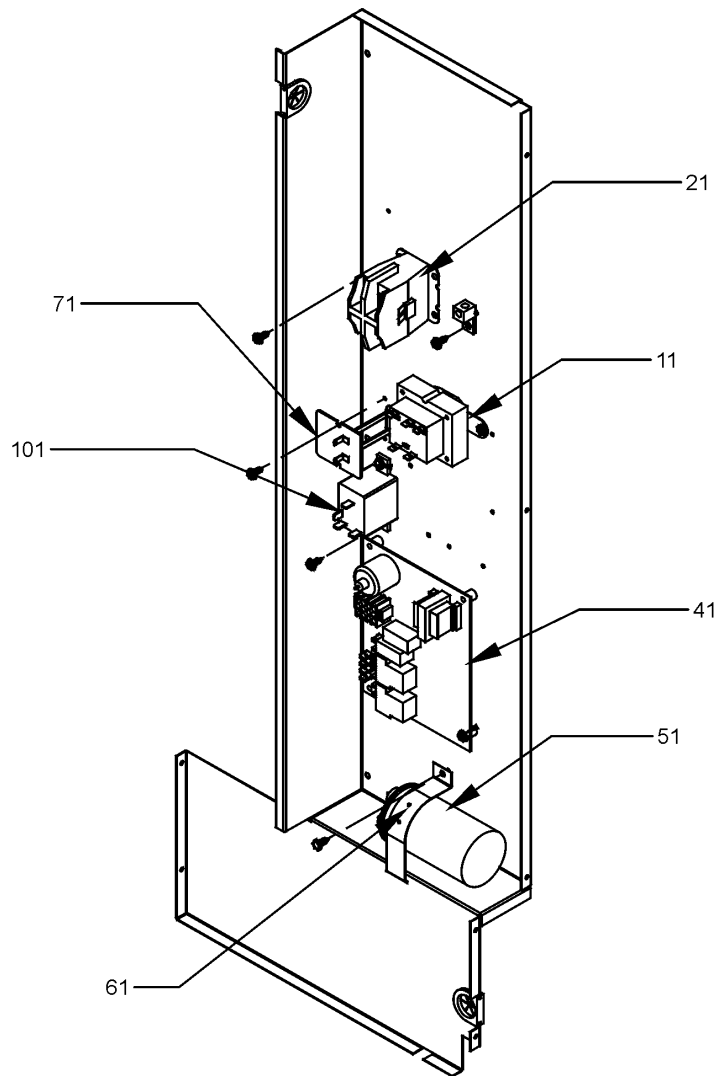
Heat Exchanger / Manifold / Gas Valve



Heat Exchanger / Manifold / Gas Valve

Ref. Part No:	Ref. Part No:	Description:	Description:
Image 1:		Expanded Model Nomenclature	
21	0131G00007	MOTOR, ID BLOWER	M1 - APG1324045M41DA
31	0121G00433	PLATE-ID BLWR LRG BRNR 1.75 (M3, M5, M10, M12)	M2 - APG1324070M41DA
31	0121G00430	PLATE-ID BLWR LRG 4 BRNR 2 (M4, M6, M11, M13, M14, M16)	M3 - APG1342070M41DA
31	0121G00431	PLATE-ID BLWR LRG 5 BRNR 3 (M7, M15)	M4 - APG1342090M41DA
31	0121G00427	PLATE-ID BLWR SML 2 BRNR 1.5 (M1)	M5 - APG1348070M41EA
31	0121G00428	PLATE-ID BLWR SML 3 BRNR 1.75 (M2, M8)	M6 - APG1348090M41EA
31	0121G00429	PLATE-ID BLWR SML 4 BRNR 2 (M9)	M7 - APG1348115M41EA
41	11112501	PRESSURE SWITCH	M8 - GPG1336070M41DB
51	20490715	PART/TUBE ASSY (M1)	M9 - GPG1336090M41DB
51	20490716	PART/TUBE ASSY (M10, M12)	M10 - GPG1342070M41DA
51	20490717	PART/TUBE ASSY (M3, M5)	M11 - GPG1342090M41DA
51	20490707	PART/TUBE ASSY 3B (M8)	M12 - GPG1348070M41EA
51	20490710	PART/TUBE ASSY 3B (M2)	M13 - GPG1348090M41EA
51	20490703	PART/TUBE ASSY 4B (M9)	M14 - GPG1348090M41EB
51	20490704	PART/TUBE ASSY 4B (M11, M13, M14, M16)	M15 - GPG1348115M41EA
51	20490712	PART/TUBE ASSY 4B (M4, M6)	M16 - GPG1360090M41DB
51	20490705	PART/TUBE ASSY 5B (M15)	
51	20490713	PART/TUBE ASSY 5B (M7)	
71	0130F00014	IGNITOR	
81	0151M00013	GAS VALVE (HW) SINGLE STAGE	
91	0130F00010	FLAME SENSOR	
101	0121M00035P	MANIFOLD - 2 BRNR (M1)	
101	0121M00036P	MANIFOLD - 3 BRNR (M3, M5, M10, M12)	
101	20493103	MANIFOLD - 3 BRNR (M2, M8)	
101	20493104	MANIFOLD - 4 BRNR (M9)	
101	20493105	MANIFOLD - 4 BRNR (M4, M6, M11, M13, M14, M16)	
101	20493106	MANIFOLD - 5 BRNR (M7, M15)	
111	10735102	BECKETT BURNER (QTY 2)	
121	20190410	BURNER BRACKET 2B (M1)	
121	20190411	BURNER BRACKET 3B (M2, M3, M5, M8, M10, M12)	
121	20190412	BURNER BRACKET 4B (M4, M6, M9, M11, M13, M14, M16)	
121	20190413	BURNER BRACKET 5B (M7, M15)	
131	10123532	MANUAL RESET LIMIT 350°F	
141	20484401	FLUE ELBOW LEFT	
141	20484402	FLUE ELBOW RIGHT	
151	11072201	ORIFICE SHIELD (M1)	
151	11072202	ORIFICE SHIELD (M2, M3, M5, M8, M10, M12)	
151	11072203	ORIFICE SHIELD (M4, M6, M9, M11, M13, M14, M16)	
151	11072204	ORIFICE SHIELD (M7, M15)	
161	0163F00018	ORIFICE (QTY 2)	
NS	0154G00003	GASKET, ID BLOWER & PLATE (M1, M2, M8, M9)	
NS	0154G00004	GASKET, ID BLOWER & PLATE (M3, M4, M5, M6, M7, M10, M11, M12, M13, M14, M15, M16)	
NS	DY6.186.070	VENT MOTOR CAPACITOR	

Control Panel



Control Panel

Ref. Part No:	No:	Description:	Ref. Part No:	No:	Description:
Image 1:					
11	0130M00138	TRANSFORMER 208/230, 24V			
21	CONT1P025024V	CONTACTOR 25 AMP, 1P, 24V (M1, M2, M8, M9)			
21	CONT1P030024V	CONTACTOR 30 AMP, 1P, 24V (M3, M4, M5, M6, M7, M10, M11, M12, M13, M14, M15, M16)			
41	PCBAG123	IGNITION BOARD, DSI INTEGRATED			
51	CAP050350440CS	CAPACITOR 5/35/440V (M1, M2)			
51	CAP050450440CT	CAPACITOR 5/45/440V/DUAL RD (M3, M4, M5, M6, M7, M8, M9, M10, M11, M12, M13, M14, M15)			
51	CAP050700440CT	CAPACITOR 5/70/440V/DUAL RD (M16)			
61	20520901	CAPACITOR STRAP			
71	10728342	LIMIT SWITCH (M1, M2)			
71	10728343	LIMIT SWITCH (M8, M9)			
71	10728344	LIMIT SWITCH (M3, M4, M5, M6, M7, M10, M11, M12, M13, M14, M15, M16)			
101	0130M00242	24V RELAY (M16)			
101	B1370751	24V RELAY (M5, M6, M7, M12, M13, M14, M15)			
NS	0259G00009	BLOWER HARNESS (M1, M2, M3, M4, M8, M9, M10, M11)			
NS	0259G00023	BLOWER HARNESS (M5, M6, M7, M12, M13, M14, M15, M16)			
NS	0259G00118	CONTROL FAN HARNESS (M2)			
NS	0259G00119	CONTROL FAN HARNESS (M1)			
NS	0259G00081	CONTROL HARNESS (M3, M4, M10, M11)			
NS	0259G00083	CONTROL HARNESS (M5, M6, M7, M12, M13, M14, M15)			
NS	0259G00084	CONTROL HARNESS (M16)			
NS	0259G00086	CONTROL HARNESS (M8, M9)			
NS	0259G00214	ECONOMIZER HARNESS			
NS	0259G00113	PLUG ASSY, 12 PIN MALE (M3, M4, M5, M6, M7, M10, M11, M12, M13, M14, M15, M16)			
NS	0259G00116	PLUG ASSY, 12 PIN MALE (M1, M2, M8, M9)			

Expanded Model Nomenclature

M1 - APG1324045M41DA
M2 - APG1324070M41DA
M3 - APG1342070M41DA
M4 - APG1342090M41DA
M5 - APG1348070M41EA
M6 - APG1348090M41EA
M7 - APG1348115M41EA
M8 - GPG1336070M41DB
M9 - GPG1336090M41DB
M10 - GPG1342070M41DA
M11 - GPG1342090M41DA
M12 - GPG1348070M41EA
M13 - GPG1348090M41EA
M14 - GPG1348090M41EB
M15 - GPG1348115M41EA
M16 - GPG1360090M41DB