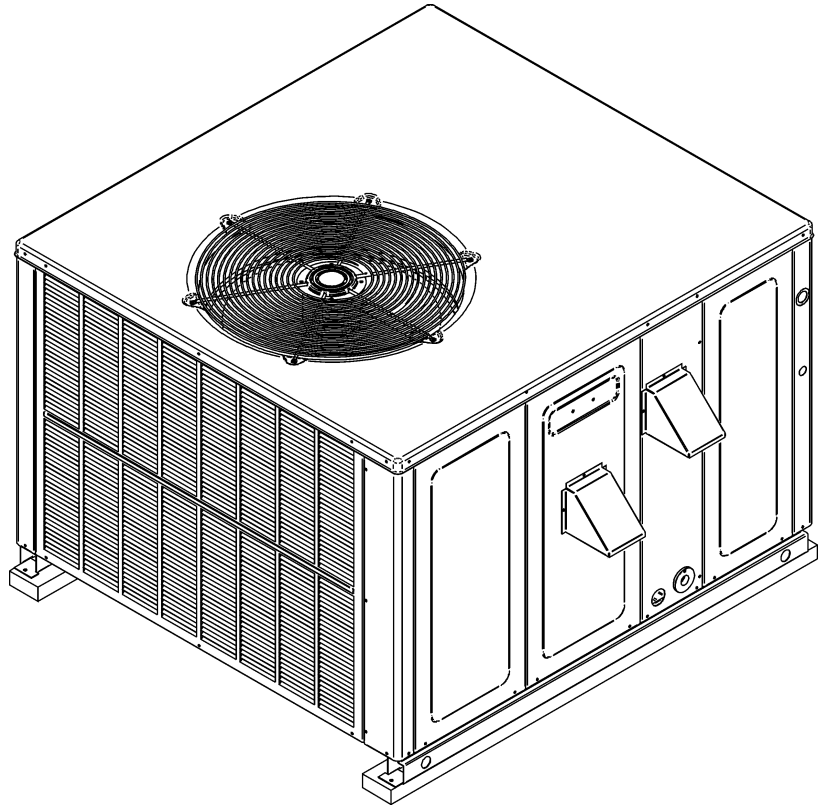


REPAIR PARTS

A/GPG13 Residential Package Gas Units

APG1324045M41CA
APG1324070M41CA
APG1330045M41CA
APG1330070M41CA
APG1336045M41DA
APG1336070M41DA
APG1336090M41DA
APG1342070M41CA
APG1342090M41CA
APG1348070M41CA
APG1348090M41CA
APG1348115M41CA
APG1360090M41CA
APG1360115M41CA
APG1360140M41CA
GPG1324045M41CA
GPG1324070M41CA
GPG1330045M41CA
GPG1330070M41CA
GPG1336045M41DA
GPG1336070M41DA
GPG1336090M41DA
GPG1342070M41CA
GPG1342090M41CA
GPG1348070M41CA
GPG1348090M41CA
GPG1348115M41CA
GPG1360090M41CA
GPG1360115M41CA
GPG1360140M41CA



This manual is to be used by qualified technicians only.

This manual replaces RP-730A.

© 2013 - 2015 , 2017 Goodman Manufacturing Company, L.P. ♦ 5151 San Felipe St., Suite 500 ♦ Houston, TX 77056

Important Information

Index

Functional Parts List	3
Illustration and Parts	4 - 13

Views shown are for parts illustrations only, not servicing procedures

Text Codes:

AR - As Required

NA - Not Available

NS - Not Shown

00000000 - See Note

QTY - Quantity Example (QTY 3) (If Quantity not shown, Quantity = 1)

M - Model Example (M1) (If M Code not shown, then part is used on all Models)

Expanded Model Nomenclature:

Example M1 - Model#1 M2 - Model#2 M3 - Model#3

Goodman Manufacturing Company, L.P. is not responsible for personal injury or property damage resulting from improper service. Review all service information before beginning repairs.

Warranty service must be performed by an authorized technician, using authorized factory parts. If service is required after the warranty expires, Goodman Manufacturing Company, L.P. also recommends contacting an authorized technician and using authorized factory parts.

Goodman Manufacturing Company, L.P. reserves the right to discontinue, or change at any time, specifications or designs without notice or without incurring obligations.

For assistance within the U.S.A. contact:
Homeowner Support
Goodman Manufacturing Company, L.P.
19001 Kermier Road
Waller, Texas 77484
877-254-4729-Telephone
713-863-2382-Facsimile

For assistance outside the U.S.A. contact:
International Division
Goodman Manufacturing Company, L.P.
19001 Kermier Road
Waller, Texas 77484
713-861-2500-Telephone
713-863-2382-Facsimile

Functional Parts

Part

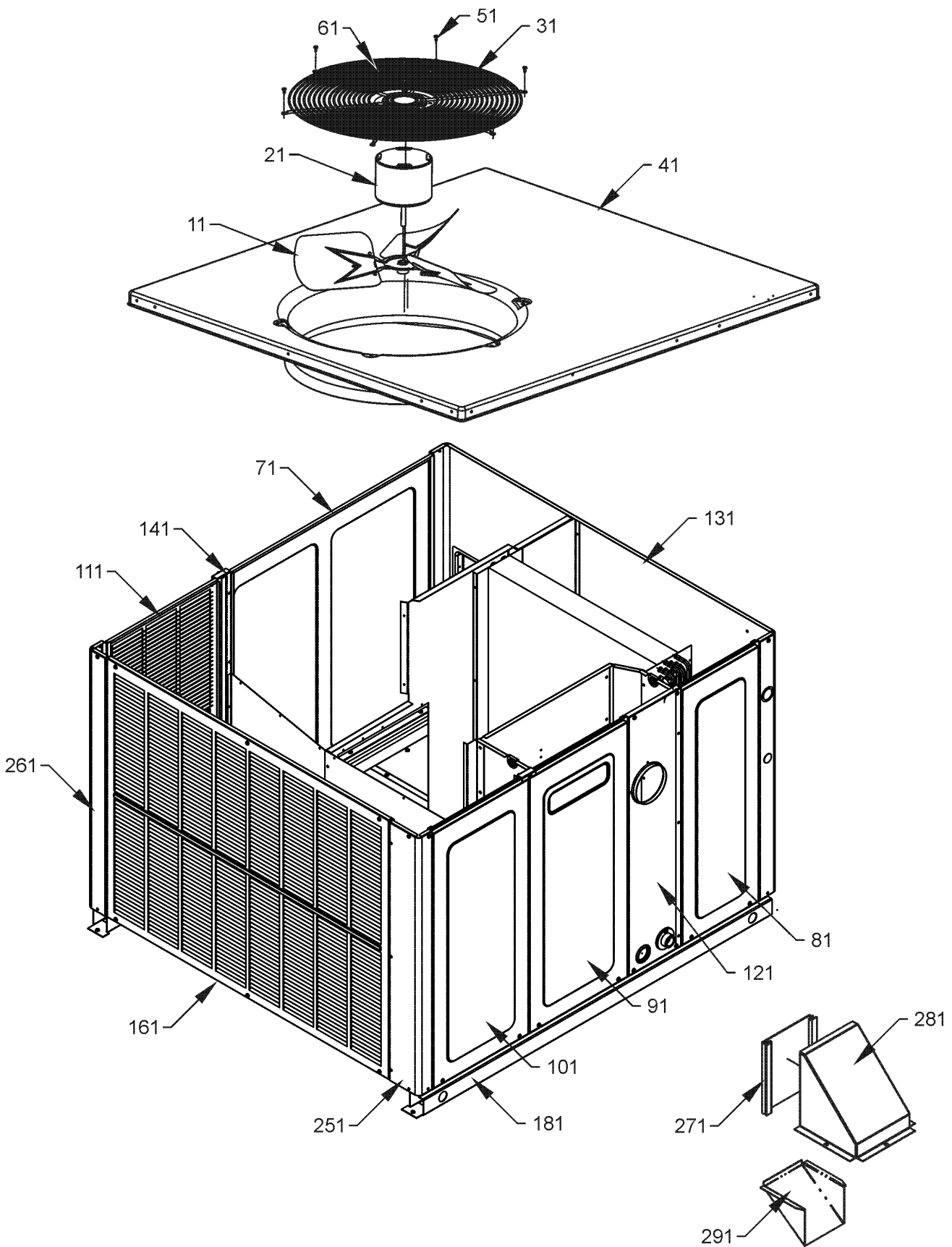
No: Description:

Part No:	Description:	Part No:	Description:
B1370751	24V RELAY (M10, M11, M12, M25, M26, M27)	10728344	LIMIT SWITCH (M8, M9, M10, M11, M12, M13, M14, M23, M24, M25, M26, M27, M28, M29)
10735102	BECKETT BURNER (QTY 2)	10123532	MANUAL RESET LIMIT 350°F
11091202	BLOWER MOTOR 1/3 HP, 3 SP, 6 PL (M3, M4, M18, M19)	0131M00527	MOTOR - 1 HP PROGRAMMED SELEC (M10, M11, M12, M25, M26, M27)
11091203	BLOWER MOTOR 1/3 HP, 3 SP, 6 PL (M5, M6, M7, M8, M9, M20, M21, M22, M23, M24)	0131M00522	MOTOR - 1 HP PROGRAMMED SELEC (M13, M14, M15, M28, M29, M30)
11091207	BLOWER MOTOR 1/4 HP, 3 SP, 8 PL (M1, M2, M16, M17)	0131G00007	MOTOR, ID BLOWER
D6723303	BLOWER WHEEL (M5, M6, M7, M20, M21, M22)	11112501	PRESSURE SWITCH
D6723306	BLOWER WHEEL (M8, M9, M23, M24)	0130M00242	RELAY, 24V (M13, M14, M15, M28, M29, M30)
B1368016	BLOWER WHEEL 10 X 8 (M3, M4, M18, M19)	0130M00138	TRANSFORMER 208/230, 24V
B1368058	BLOWER WHEEL 10 X 8 (M1, M2, M16, M17)	DY6.186.070	VENT MOTOR CAPACITOR
B1368000	BLOWER WHEEL 11 X 10 (M10, M11, M12, M13, M14, M15, M25, M26, M27, M28, M29, M30)		
CAP100000370LA	CAPACITOR 10/370V (M1, M2, M3, M4, M5, M6, M7, M8, M9, M16, M17, M18, M19, M20, M21, M22, M23, M24)		
CAP050350440CS	CAPACITOR 5/35/440V (M1, M2, M16, M17)		
CAP050400440CT	CAPACITOR 5/40/440V/DUAL RD (M3, M4, M18, M19)		
CAP050450440CT	CAPACITOR 5/45/440V/DUAL RD (M5, M6, M7, M8, M9, M10, M11, M12, M20, M21, M22, M23, M24, M25, M26, M27)		
CAP050700440CT	CAPACITOR 5/70/440V/DUAL RD (M13, M14, M15, M28, M29, M30)		
ZP20K5EPFV130	COMPRESSOR 20000, 208/230/60/1 (M1, M2, M16, M17)		
ZP25K5EPFV130	COMPRESSOR 25200, 208/230/60/1 (M3, M4, M18, M19)		
ZP31K5EPFV130	COMPRESSOR 31100, 208/230/60/1 (M5, M6, M7, M20, M21, M22)		
ZP34K5EPFV130	COMPRESSOR 34500, 208/230/60/1 (M8, M9, M23, M24)		
ZP39K5EPFV130	COMPRESSOR 39000, 208/230/60/1 (M10, M11, M12, M25, M26, M27)		
ZP51K5EPFV130	COMPRESSOR 51000, 208/230/60/1 (M13, M14, M15, M28, M29, M30)		
0131M00429	COND MOTOR 1/4 HP, 1 SP, 6 PL (M3, M4, M8, M9, M10, M11, M12, M13, M14, M15, M18, M19, M23, M24, M25, M26, M27, M28, M29, M30)		
CONT1P025024V	CONTACTOR 25 AMP, 1P, 24V (M1, M2, M3, M4, M5, M6, M7, M16, M17, M18, M19, M20, M21, M22)		
CONT1P030024V	CONTACTOR 30 AMP, 1P, 24V (M8, M9, M10, M11, M12, M13, M14, M15, M23, M24, M25, M26, M27, M28, M29, M30)		
0130M00074	CUT-OUT SWITCH, HIGH PRESSURE		
B1086775	FAN BLADE (M3, M4, M18, M19)		
B1086773	FAN BLADE 22" (M1, M2, M16, M17)		
0150G00002	FAN BLADE SWEPT-WING (M5, M6, M7, M20, M21, M22)		
0150G00003	FAN BLADE SWEPT-WING (M8, M9, M10, M11, M12, M13, M14, M15, M23, M24, M25, M26, M27, M28, M29, M30)		
0130F00010	FLAME SENSOR		
0151M00013	GAS VALVE (HW) SINGLE STAGE		
PCBAG123	IGNITION BOARD, DSI INTEGRATED		
0130F00014	IGNITOR		
10728342	LIMIT SWITCH (M1, M2, M3, M4, M16, M17, M18, M19)		
10728343	LIMIT SWITCH (M5, M6, M7, M15, M20, M21, M22, M30)		

Expanded Model Nomenclature

M1 - APG1324045M41CA
M2 - APG1324070M41CA
M3 - APG1330045M41CA
M4 - APG1330070M41CA
M5 - APG1336045M41DA
M6 - APG1336070M41DA
M7 - APG1336090M41DA
M8 - APG1342070M41CA
M9 - APG1342090M41CA
M10 - APG1348070M41CA
M11 - APG1348090M41CA
M12 - APG1348115M41CA
M13 - APG1360090M41CA
M14 - APG1360115M41CA
M15 - APG1360140M41CA
M16 - GPG1324045M41CA
M17 - GPG1324070M41CA
M18 - GPG1330045M41CA
M19 - GPG1330070M41CA
M20 - GPG1336045M41DA
M21 - GPG1336070M41DA
M22 - GPG1336090M41DA
M23 - GPG1342070M41CA
M24 - GPG1342090M41CA
M25 - GPG1348070M41CA
M26 - GPG1348090M41CA
M27 - GPG1348115M41CA
M28 - GPG1360090M41CA
M29 - GPG1360115M41CA
M30 - GPG1360140M41CA

Top Panel / Cabinet Assembly



Top Panel / Cabinet Assembly

Ref. Part No:	No:	Description:	Ref. Part No:	No:	Description:
<i>Image 1:</i>			<i>Image 1:</i>		
11	B1086775	FAN BLADE (M3, M4, M18, M19)	141	0121G00615	POST-SUPPORT, SIDE 40 (M8, M9, M10, M11, M12, M13, M14, M15, M23, M24, M25, M26, M27, M28, M29, M30)
11	B1086773	FAN BLADE 22" (M1, M2, M16, M17)	161	0121G00728DG	PANEL-COND LOUVERED 32 (M16, M17, M18, M19, M20, M21, M22)
11	0150G00002	FAN BLADE SWEPT-WING (M5, M6, M7, M20, M21, M22)	161	0121G00728LG	PANEL-COND LOUVERED 32 (M1, M2, M3, M4, M5, M6, M7)
11	0150G00003	FAN BLADE SWEPT-WING (M8, M9, M10, M11, M12, M13, M14, M15, M23, M24, M25, M26, M27, M28, M29, M30)	161	0121G00729DG	PANEL-COND LOUVERED 40 (M23, M24, M25, M26, M27, M28, M29, M30)
21	0131M00061	COND MOTOR 1/4 HP, 1 SP, 8 PL (M5, M6, M7, M20, M21, M22)	161	0121G00729LG	PANEL-COND LOUVERED 40 (M8, M9, M10, M11, M12, M13, M14, M15)
21	0131M00429	COND MOTOR 1/4 HP, 1 SP, 6 PL (M3, M4, M8, M9, M10, M11, M12, M13, M14, M15, M18, M19, M23, M24, M25, M26, M27, M28, M29, M30)	181	0121G00290	BASE PAN RAIL (QTY 2)
21	0131M00009P	COND MOTOR 1/6 HP, 1 SP, 8 PL (M1, M2, M16, M17)	251	20464201PDG	CORNER POST-COMP END 32" (M3, M4, M18, M19)
31	0152G00003	FAN GRILLE	251	0121G00453DG	CORNER-POST COMP END, PNT (M1, M2, M5, M6, M7, M16, M17, M20, M21, M22)
41	0121G00156PDG	PNL, TOP, PNT	251	0121G00455DG	CORNER-POST COMP END, PNT (M8, M9, M10, M11, M12, M13, M14, M15, M23, M24, M25, M26, M27, M28, M29, M30)
51	M0221817	SMALL SCREW (QTY 6)	261	20464301PDG	CORNER POST-HAIRPIN END 32" (M3, M4, M18, M19)
61	0163M00006P	ACORN NUT 5/16 HEX BLACK (QTY 4)	261	0121G00454DG	CORNER-POST HPIN END, PNT (M1, M2, M5, M6, M7, M16, M17, M20, M21, M22)
71	20464801PDG	BLOWER DOOR 32" (M1, M2, M3, M4, M5, M6, M7, M16, M17, M18, M19, M20, M21, M22)	261	0121G00456DG	CORNER-POST HPIN END, PNT (M8, M9, M10, M11, M12, M13, M14, M15, M23, M24, M25, M26, M27, M28, M29, M30)
71	20464806PDG	BLOWER DOOR 40" (M8, M9, M10, M11, M12, M13, M14, M15, M23, M24, M25, M26, M27, M28, M29, M30)	271	20472601	SCREEN-FLUE HOOD
81	20464807PDG	DOOR-EVAP/CONTROL 40 W/PAINT (M8, M9, M10, M11, M12, M13, M14, M15, M23, M24, M25, M26, M27, M28, M29, M30)	281	0121G00323	FLUE HOOD (QTY 2)
81	20464802PDG	EVAP/CONTROL DOOR 32" (M1, M2, M3, M4, M5, M6, M7, M16, M17, M18, M19, M20, M21, M22)	291	0121G00190	FLUE HOOD-LOWER
91	0121G00526DG	DOOR-HT EXCHANGE 32 (M1, M2, M3, M4, M5, M6, M7, M16, M17, M18, M19, M20, M21, M22)	NS	B1910012	GAS LINE GROMMET
91	0121G00527DG	DOOR-HT EXCHANGE 38 (M8, M9, M10, M11, M12, M13, M14, M15, M23, M24, M25, M26, M27, M28, M29, M30)	NS	17788000083F	PVC CONDUIT 8.25"
101	20464804PDG	COMPRESSOR DOOR 32" (M1, M2, M3, M4, M5, M6, M7, M16, M17, M18, M19, M20, M21, M22)	NS	17788000083F	PVC CONDUIT 8.25"
101	20464809PDG	COMPRESSOR DOOR 40" (M8, M9, M10, M11, M12, M13, M14, M15, M23, M24, M25, M26, M27, M28, M29, M30)			
111	20467701PDG	LOUVERED PANEL, COND SIDE 32" (M18, M19)			
111	20467701PLG	LOUVERED PANEL, COND SIDE 32" (M3, M4)			
111	0121G00465DG	PANEL-COND SIDE 32, PNT (M1, M2, M5, M6, M7, M16, M17, M20, M21, M22)			
111	0121G00467DG	PANEL-COND SIDE 40, PNT (M8, M9, M10, M11, M12, M13, M14, M15, M23, M24, M25, M26, M27, M28, M29, M30)			
121	20466101PDG	UTILITY PANEL 32" (M1, M2, M3, M4, M5, M6, M7, M16, M17, M18, M19, M20, M21, M22)			
121	20466102PDG	UTILITY PANEL 40" (M8, M9, M10, M11, M12, M13, M14, M15, M23, M24, M25, M26, M27, M28, M29, M30)			
131	0121G00673DG	PNL, DUCT, GAS 32.5" (M1, M2, M3, M4, M5, M6, M7, M16, M17, M18, M19, M20, M21, M22)			
131	0121G00674DG	PNL, DUCT, GAS 40" (M8, M9, M10, M11, M12, M13, M14, M15, M23, M24, M25, M26, M27, M28, M29, M30)			
141	0121G00460	POST-SUPPORT, SIDE (M1, M2, M3, M4, M5, M6, M7, M16, M17, M18, M19, M20, M21, M22)			

Top Panel / Cabinet Assembly

Ref. Part

No: No:

Description:

Ref. Part

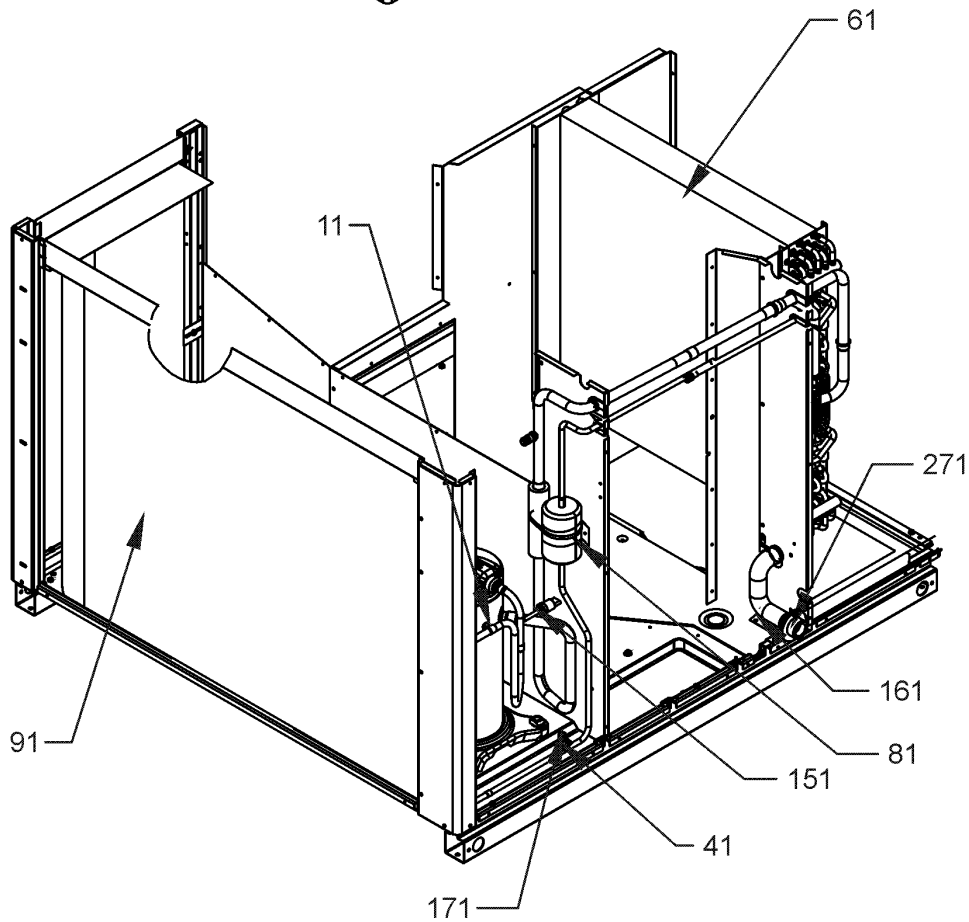
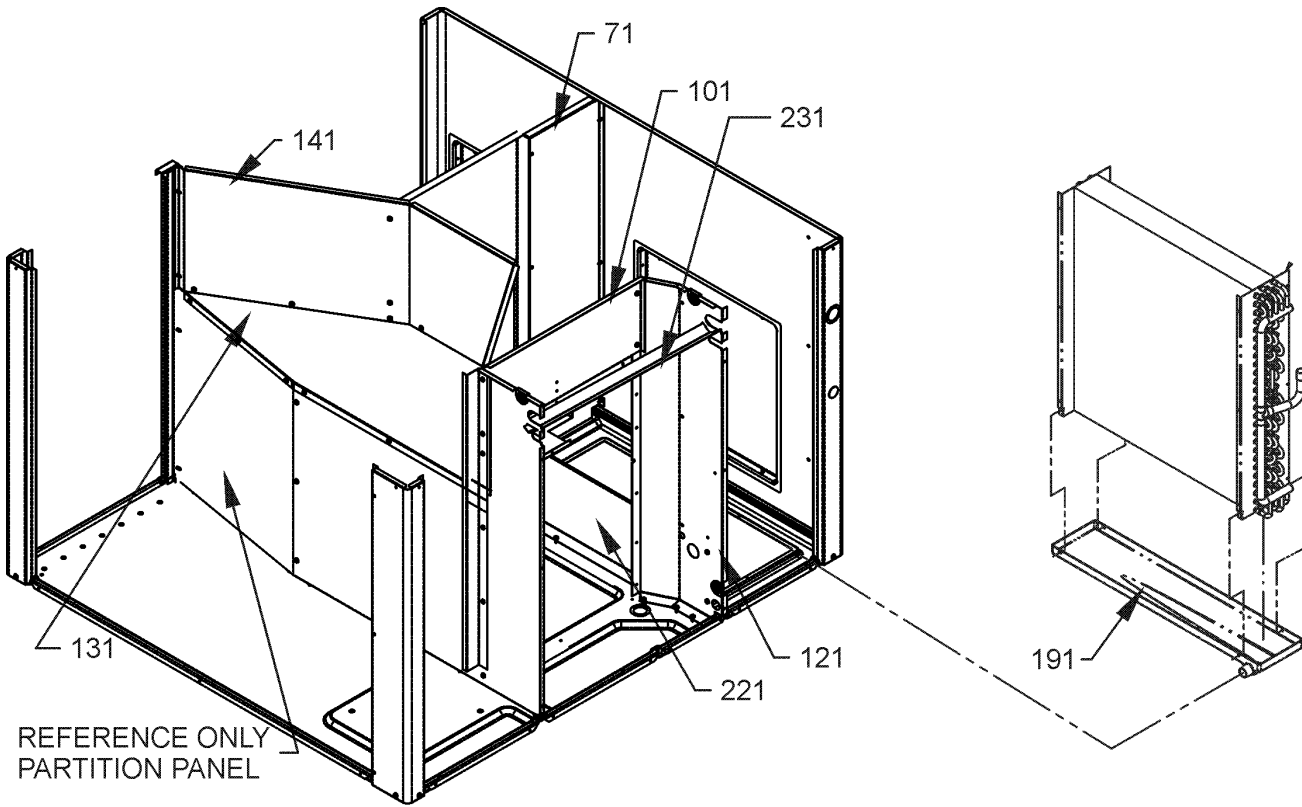
No: No:

Description:

Expanded Model Nomenclature

M1 - APG1324045M41CA
M2 - APG1324070M41CA
M3 - APG1330045M41CA
M4 - APG1330070M41CA
M5 - APG1336045M41DA
M6 - APG1336070M41DA
M7 - APG1336090M41DA
M8 - APG1342070M41CA
M9 - APG1342090M41CA
M10 - APG1348070M41CA
M11 - APG1348090M41CA
M12 - APG1348115M41CA
M13 - APG1360090M41CA
M14 - APG1360115M41CA
M15 - APG1360140M41CA
M16 - GPG1324045M41CA
M17 - GPG1324070M41CA
M18 - GPG1330045M41CA
M19 - GPG1330070M41CA
M20 - GPG1336045M41DA
M21 - GPG1336070M41DA
M22 - GPG1336090M41DA
M23 - GPG1342070M41CA
M24 - GPG1342090M41CA
M25 - GPG1348070M41CA
M26 - GPG1348090M41CA
M27 - GPG1348115M41CA
M28 - GPG1360090M41CA
M29 - GPG1360115M41CA
M30 - GPG1360140M41CA

Partition / Tubing Assembly



Partition / Tubing Assembly

Ref. Part No: No:	Description:	Ref. Part No: No:	Description:		
Image 1:		Image 1:			
11	ZP20K5EPFV130	161	20498301	COMPRESSOR 20000, 208/230/60/1 (M1, M2, M16, M17)	DRAIN TUBE 40" (M8, M9, M10, M11, M12, M13, M14, M15, M23, M24, M25, M26, M27, M28, M29, M30)
11	ZP25K5EPFV130	171	0163M00175	COMPRESSOR 25200, 208/230/60/1 (M3, M4, M18, M19)	CAP WITH O-RING (QTY 2)
11	ZP31K5EPFV130	191	20464901DF	COMPRESSOR 31100, 208/230/60/1 (M5, M6, M7, M20, M21, M22)	DRAIN PAN-EVAP COIL
11	ZP34K5EPFV130	221	20463802	COMPRESSOR 34500, 208/230/60/1 (M8, M9, M23, M24)	EVAP/BASEPAN BLOCK 32" (M1, M2, M3, M4, M5, M6, M7, M16, M17, M18, M19, M20, M21, M22)
11	ZP39K5EPFV130	221	20463801	COMPRESSOR 39000, 208/230/60/1 (M10, M11, M12, M25, M26, M27)	EVAP/BASEPAN BLOCK 40" (M8, M9, M10, M11, M12, M13, M14, M15, M23, M24, M25, M26, M27, M28, M29, M30)
11	ZP51K5EPFV130	231	0121G00555	COMPRESSOR 51000, 208/230/60/1 (M13, M14, M15, M28, M29, M30)	DRAIN CHANNEL, SUCTION TUBE
41	B1373315	271	20513001	ACCESS FITTING (QTY 2)	EVAP DRAIN FITTING
61	0202G00282	NS	B1339533	EVAP COIL ASSY (M10, M11, M12, M25, M26, M27)	COMPRESSOR GROMMET (QTY 8)
61	0202G00283	NS	0159G00002	EVAP COIL ASSY (M1, M2, M16, M17)	COMPRESSOR SCROLL HARNESS (M1, M2, M3, M4, M5, M6, M7, M16, M17, M18, M19, M20, M21, M22)
61	0202G00288	NS	0159G00006	EVAP COIL ASSY (M3, M4, M18, M19)	COMPRESSOR SCROLL HARNESS (M8, M9, M13, M14, M15, M23, M24, M28, M29, M30)
61	0202G00290	NS	0159G00015	EVAP COIL ASSY (M5, M6, M7, M20, M21, M22)	COMPRESSOR SCROLL HARNESS (M10, M11, M12, M25, M26, M27)
61	0202G00292	NS	B1810011	EVAP COIL ASSY (M13, M14, M15, M28, M29, M30)	HOSE CLAMP 1.25 (QTY 2)
61	0202G00316	NS	M0221641	TUBING ASSY, EVAP COIL (M8, M9, M23, M24)	TF SHOULDER SCREW (M3, M4, M5, M6, M7, M8, M9, M10, M11, M12, M13, M14, M15, M18, M19, M20, M21, M22, M23, M24, M25, M26, M27, M28, M29, M30)
71	20465305			BLOWER DIVIDER (M1, M2, M3, M4, M16, M17, M18, M19)	
71	20465306			BLOWER DIVIDER (M8, M9, M23, M24)	
71	20465304			BLOWER DIVIDER 32" 10 X 9 (M5, M6, M7, M20, M21, M22)	
71	20465302			DIVIDER-BLOWER 38 (M10, M11, M12, M13, M14, M15, M25, M26, M27, M28, M29, M30)	
81	B1219212			SINGLE-FLOW FILTER DRIER, STEEL (M1, M2, M3, M4, M5, M6, M7, M16, M17, M18, M19, M20, M21, M22)	
81	B1219225			SINGLE-FLOW FILTER DRIER, STEEL (M8, M9, M10, M11, M12, M13, M14, M15, M23, M24, M25, M26, M27, M28, M29, M30)	
91	0201G00142			CONDENSER COIL ASSY (M3, M4, M18, M19)	
91	0201G00247			CONDENSER COIL ASSY (M1, M2, M16, M17)	
91	0201G00249			CONDENSER COIL ASSY (M5, M6, M7, M10, M11, M12, M20, M21, M22, M25, M26, M27)	
91	0201G00252			CONDENSER COIL ASSY (M13, M14, M15, M28, M29, M30)	
91	0201G00254			CONDENSER COIL ASSY (M8, M9, M23, M24)	
101	20465201			FILLER PANEL, HEAT EXCHANGER 32" (M1, M2, M3, M4, M5, M6, M7, M16, M17, M18, M19, M20, M21, M22)	
101	20465202			FILLER PANEL, HEAT EXCHANGER 40" (M8, M9, M10, M11, M12, M13, M14, M15, M23, M24, M25, M26, M27, M28, M29, M30)	
121	0121G00757			DIVIDER, EVAP/HT EXCH 32 (M1, M2, M3, M4, M5, M6, M7, M16, M17, M18, M19, M20, M21, M22)	
121	0121G00758			DIVIDER, EVAP/HT EXCH 38 (M8, M9, M10, M11, M12, M13, M14, M15, M23, M24, M25, M26, M27, M28, M29, M30)	
131	20465701			FAN PARTITION SHELF	
141	20465801			FAN SURROUND 32" (M1, M2, M3, M4, M5, M6, M7, M16, M17, M18, M19, M20, M21, M22)	
141	20465802			FAN SURROUND 40" (M8, M9, M10, M11, M12, M13, M14, M15, M23, M24, M25, M26, M27, M28, M29, M30)	
151	0130M00074			CUT-OUT SWITCH, HIGH PRESSURE	
161	20498302			DRAIN TUBE 32" (M1, M2, M3, M4, M5, M6, M7, M16, M17, M18, M19, M20, M21, M22)	

Partition / Tubing Assembly

Ref. Part

No: No:

Description:

Ref. Part

No: No:

Description:

Expanded Model Nomenclature

M1 - APG1324045M41CA
M2 - APG1324070M41CA
M3 - APG1330045M41CA
M4 - APG1330070M41CA
M5 - APG1336045M41DA
M6 - APG1336070M41DA
M7 - APG1336090M41DA
M8 - APG1342070M41CA
M9 - APG1342090M41CA
M10 - APG1348070M41CA
M11 - APG1348090M41CA
M12 - APG1348115M41CA
M13 - APG1360090M41CA
M14 - APG1360115M41CA
M15 - APG1360140M41CA
M16 - GPG1324045M41CA
M17 - GPG1324070M41CA
M18 - GPG1330045M41CA
M19 - GPG1330070M41CA
M20 - GPG1336045M41DA
M21 - GPG1336070M41DA
M22 - GPG1336090M41DA
M23 - GPG1342070M41CA
M24 - GPG1342090M41CA
M25 - GPG1348070M41CA
M26 - GPG1348090M41CA
M27 - GPG1348115M41CA
M28 - GPG1360090M41CA
M29 - GPG1360115M41CA
M30 - GPG1360140M41CA

Basepan / Blower Assembly

IMAGE 1

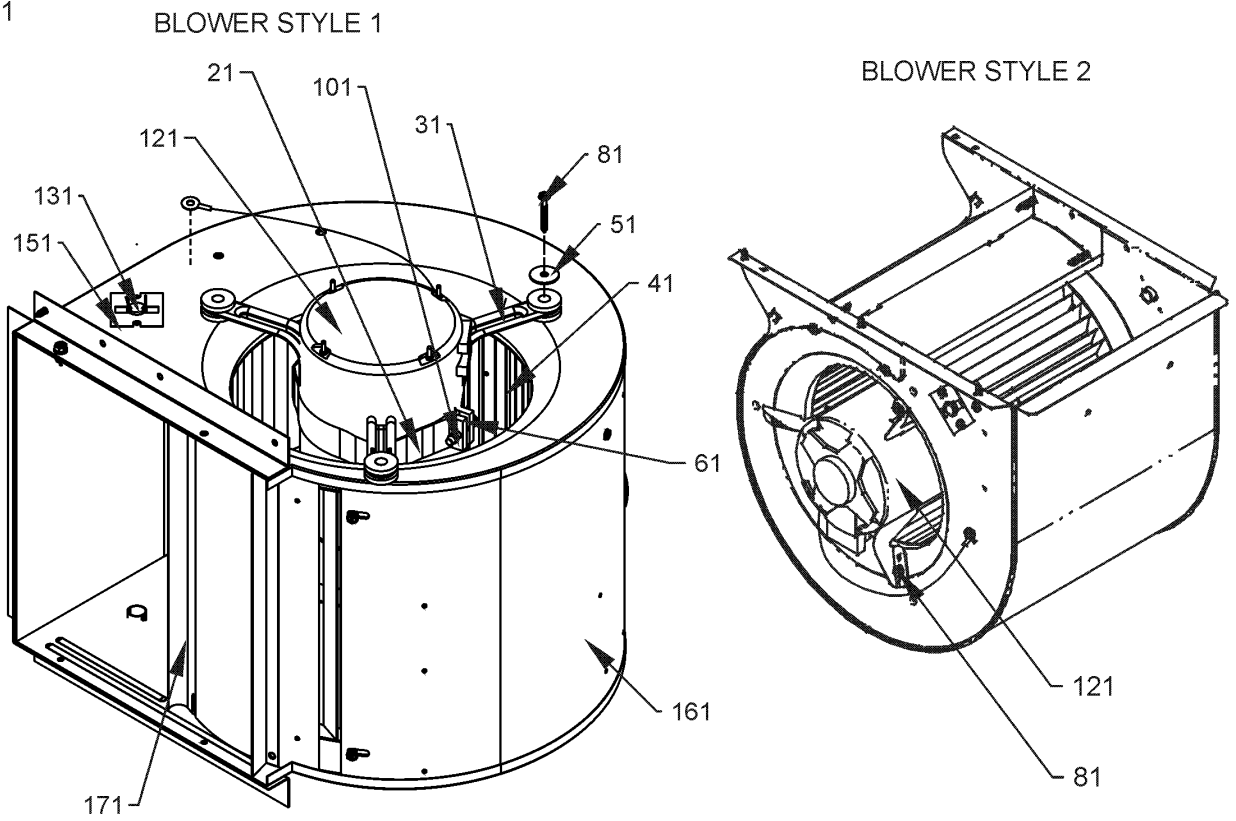
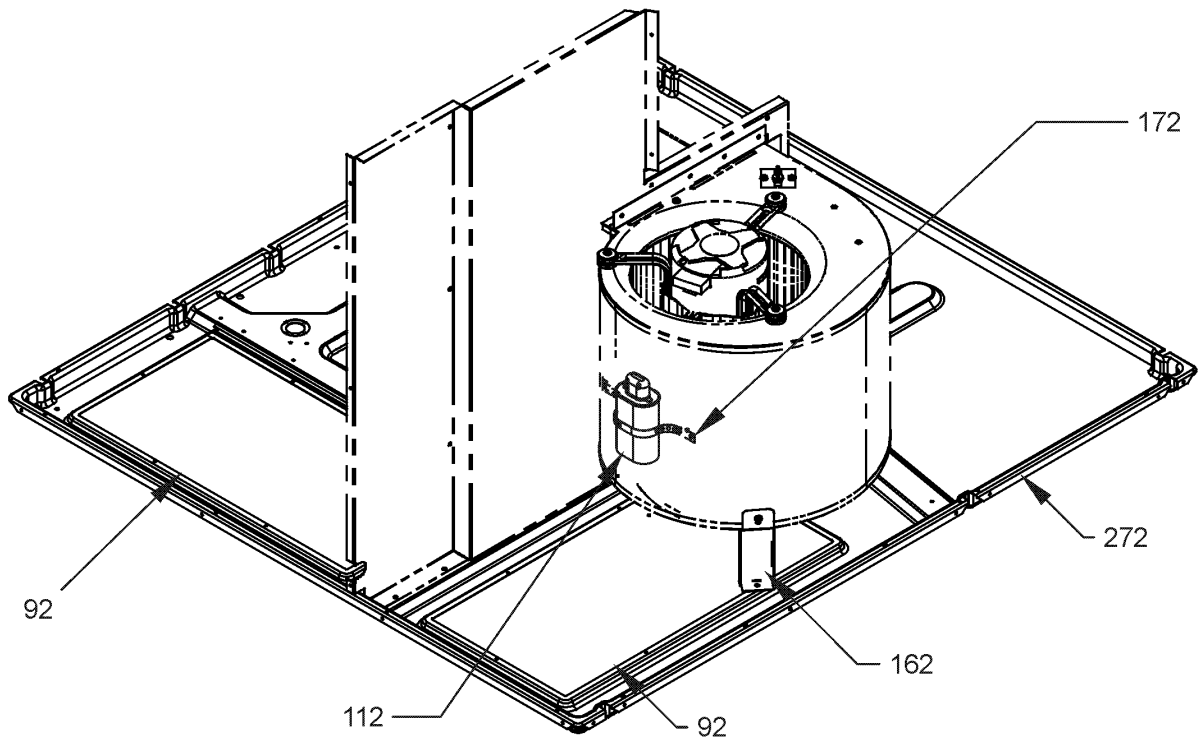


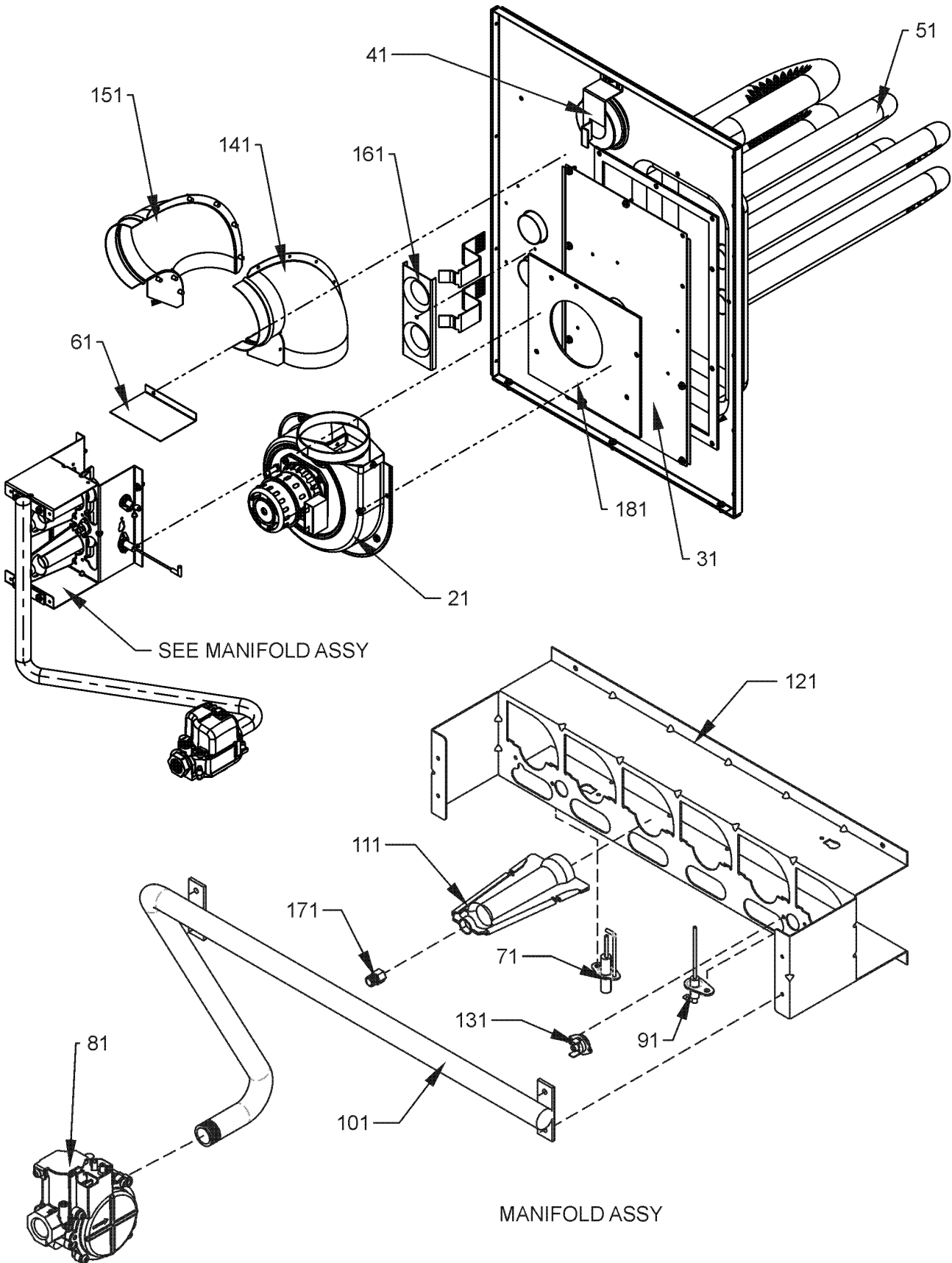
IMAGE 2



Basepan / Blower Assembly

Ref. Part No: No:	Description:	Ref. Part No: No:	Description:																																
Image 1:		Image 1:																																	
21	0121M00038	MOTOR MOUNT BAND (M10, M11, M12, M13, M14, M15, M25, M26, M27, M28, M29, M30)	NS B1392143	GROMMET, 26TAL F/TORSIN FLEX (M1, M2, M8, M9, M16, M17, M23, M24)																															
31	B1376857	MOTOR MOUNT ARM (M10, M11, M12, M13, M14, M15, M25, M26, M27, M28, M29, M30)	Image 2:																																
41	D6723303	BLOWER WHEEL (M5, M6, M7, M20, M21, M22)	92	0121G00148	SINGLE COVER, DOWN DISCHARGE (QTY 2)																														
41	D6723306	BLOWER WHEEL (M8, M9, M23, M24)	112	CAP100000370LA	CAPACITOR 10/370V (M1, M2, M3, M4, M5, M6, M7, M8, M9, M16, M17, M18, M19, M20, M21, M22, M23, M24)																														
41	B1368016	BLOWER WHEEL 10 X 8 (M3, M4, M18, M19)	162	4322801	11 X 10 BLOWER SUPPORT LRG (M10, M11, M12, M13, M14, M15, M25, M26, M27, M28, M29, M30)																														
41	B1368058	BLOWER WHEEL 10 X 8 (M1, M2, M16, M17)	172	20520901	CAPACITOR STRAP (M1, M2, M3, M4, M5, M6, M7, M8, M9, M16, M17, M18, M19, M20, M21, M22, M23, M24)																														
41	B1368000	BLOWER WHEEL 11 X 10 (M10, M11, M12, M13, M14, M15, M25, M26, M27, M28, M29, M30)	272	0121G00444	BASEPAN, PACKAGE																														
51	B1392918	WASHER FLAT 1/4 ID X 1 OD (M10, M11, M12, M13, M14, M15, M25, M26, M27, M28, M29, M30)	NS	20463701	11 X 10 BLOWER MOUNTING (M10, M11, M12, M13, M14, M15, M25, M26, M27, M28, M29, M30)																														
61	B1393323	MACHINE SCREW HWH 1/4-20 X 1-1/2 BZ (M10, M11, M12, M13, M14, M15, M25, M26, M27, M28, M29, M30)	NS	B821700	CAPACITOR BOOT (M1, M2, M3, M4, M5, M6, M7, M8, M9, M16, M17, M18, M19, M20, M21, M22, M23, M24)																														
81	M0250558	TC SCREW (M1, M2, M3, M4, M5, M6, M7, M8, M9, M16, M17, M18, M19, M20, M21, M22, M23, M24)	Expanded Model Nomenclature																																
81	M0250565	TC SCREW 1.25" (M10, M11, M12, M13, M14, M15, M25, M26, M27, M28, M29, M30)	<table border="1"> <tr><td>M1 - APG1324045M41CA</td></tr> <tr><td>M2 - APG1324070M41CA</td></tr> <tr><td>M3 - APG1330045M41CA</td></tr> <tr><td>M4 - APG1330070M41CA</td></tr> <tr><td>M5 - APG1336045M41DA</td></tr> <tr><td>M6 - APG1336070M41DA</td></tr> <tr><td>M7 - APG1336090M41DA</td></tr> <tr><td>M8 - APG1342070M41CA</td></tr> <tr><td>M9 - APG1342090M41CA</td></tr> <tr><td>M10 - APG1348070M41CA</td></tr> <tr><td>M11 - APG1348090M41CA</td></tr> <tr><td>M12 - APG1348115M41CA</td></tr> <tr><td>M13 - APG1360090M41CA</td></tr> <tr><td>M14 - APG1360115M41CA</td></tr> <tr><td>M15 - APG1360140M41CA</td></tr> <tr><td>M16 - GPG1324045M41CA</td></tr> <tr><td>M17 - GPG1324070M41CA</td></tr> <tr><td>M18 - GPG1330045M41CA</td></tr> <tr><td>M19 - GPG1330070M41CA</td></tr> <tr><td>M20 - GPG1336045M41DA</td></tr> <tr><td>M21 - GPG1336070M41DA</td></tr> <tr><td>M22 - GPG1336090M41DA</td></tr> <tr><td>M23 - GPG1342070M41CA</td></tr> <tr><td>M24 - GPG1342090M41CA</td></tr> <tr><td>M25 - GPG1348070M41CA</td></tr> <tr><td>M26 - GPG1348090M41CA</td></tr> <tr><td>M27 - GPG1348115M41CA</td></tr> <tr><td>M28 - GPG1360090M41CA</td></tr> <tr><td>M29 - GPG1360115M41CA</td></tr> <tr><td>M30 - GPG1360140M41CA</td></tr> </table>			M1 - APG1324045M41CA	M2 - APG1324070M41CA	M3 - APG1330045M41CA	M4 - APG1330070M41CA	M5 - APG1336045M41DA	M6 - APG1336070M41DA	M7 - APG1336090M41DA	M8 - APG1342070M41CA	M9 - APG1342090M41CA	M10 - APG1348070M41CA	M11 - APG1348090M41CA	M12 - APG1348115M41CA	M13 - APG1360090M41CA	M14 - APG1360115M41CA	M15 - APG1360140M41CA	M16 - GPG1324045M41CA	M17 - GPG1324070M41CA	M18 - GPG1330045M41CA	M19 - GPG1330070M41CA	M20 - GPG1336045M41DA	M21 - GPG1336070M41DA	M22 - GPG1336090M41DA	M23 - GPG1342070M41CA	M24 - GPG1342090M41CA	M25 - GPG1348070M41CA	M26 - GPG1348090M41CA	M27 - GPG1348115M41CA	M28 - GPG1360090M41CA	M29 - GPG1360115M41CA	M30 - GPG1360140M41CA
M1 - APG1324045M41CA																																			
M2 - APG1324070M41CA																																			
M3 - APG1330045M41CA																																			
M4 - APG1330070M41CA																																			
M5 - APG1336045M41DA																																			
M6 - APG1336070M41DA																																			
M7 - APG1336090M41DA																																			
M8 - APG1342070M41CA																																			
M9 - APG1342090M41CA																																			
M10 - APG1348070M41CA																																			
M11 - APG1348090M41CA																																			
M12 - APG1348115M41CA																																			
M13 - APG1360090M41CA																																			
M14 - APG1360115M41CA																																			
M15 - APG1360140M41CA																																			
M16 - GPG1324045M41CA																																			
M17 - GPG1324070M41CA																																			
M18 - GPG1330045M41CA																																			
M19 - GPG1330070M41CA																																			
M20 - GPG1336045M41DA																																			
M21 - GPG1336070M41DA																																			
M22 - GPG1336090M41DA																																			
M23 - GPG1342070M41CA																																			
M24 - GPG1342090M41CA																																			
M25 - GPG1348070M41CA																																			
M26 - GPG1348090M41CA																																			
M27 - GPG1348115M41CA																																			
M28 - GPG1360090M41CA																																			
M29 - GPG1360115M41CA																																			
M30 - GPG1360140M41CA																																			
101	B1393800	LOCKNUT, NYLON, INSERT 1/4, 20 (M10, M11, M12, M13, M14, M15, M25, M26, M27, M28, M29, M30)																																	
121	11091202	BLOWER MOTOR 1/3 HP, 3 SP, 6 PL (M3, M4, M18, M19)																																	
121	11091203	BLOWER MOTOR 1/3 HP, 3 SP, 6 PL (M5, M6, M7, M8, M9, M20, M21, M22, M23, M24)																																	
121	11091207	BLOWER MOTOR 1/4 HP, 3 SP, 8 PL (M1, M2, M16, M17)																																	
121	0131M00522	MOTOR - 1 HP PROGRAMMED SELEC (M13, M14, M15, M28, M29, M30)																																	
121	0131M00527	MOTOR - 1 HP PROGRAMMED SELEC (M10, M11, M12, M25, M26, M27)																																	
131	20269903	AUXILIARY LIMIT, AUTO RESET																																	
151	2509503F	AUXILIARY LIMIT BRACKET																																	
161	0271F00057	BLOWER HOUSING ASSY 10 X 10 (M8, M9, M23, M24)																																	
161	0271F00001P	BLOWER HOUSING ASSY 10 X 8 (M1, M2, M16, M17)																																	
161	0271G00025	BLOWER HOUSING ASSY 10 X 8 (M3, M4, M18, M19)																																	
161	0271G00024	BLOWER HOUSING ASSY 10 X 9 (M5, M6, M7, M20, M21, M22)																																	
161	2539309	BLOWER HOUSING ASSY 11 X 10 (M10, M11, M12, M13, M14, M15, M25, M26, M27, M28, M29, M30)																																	
171	764742	BLOWER BLOCK-OFF (M5, M6, M7, M20, M21, M22)																																	
171	764741	BLOWER BLOCK-OFF 10 X 10 (M8, M9, M23, M24)																																	
171	764740	BLOWER BLOCK-OFF 10 X 8 (M1, M2, M3, M4, M16, M17, M18, M19)																																	
171	1864703F	BLOWER CUT-OFF (M10, M11, M12, M13, M14, M15, M25, M26, M27, M28, M29, M30)																																	
NS	0259G00009	BLOWER HARNESS (M1, M2, M3, M4, M5, M6, M7, M8, M9, M16, M17, M18, M19, M20, M21, M22, M23, M24)																																	
NS	0259G00023	BLOWER HARNESS (M10, M11, M12, M13, M14, M15, M25, M26, M27, M28, M29, M30)																																	

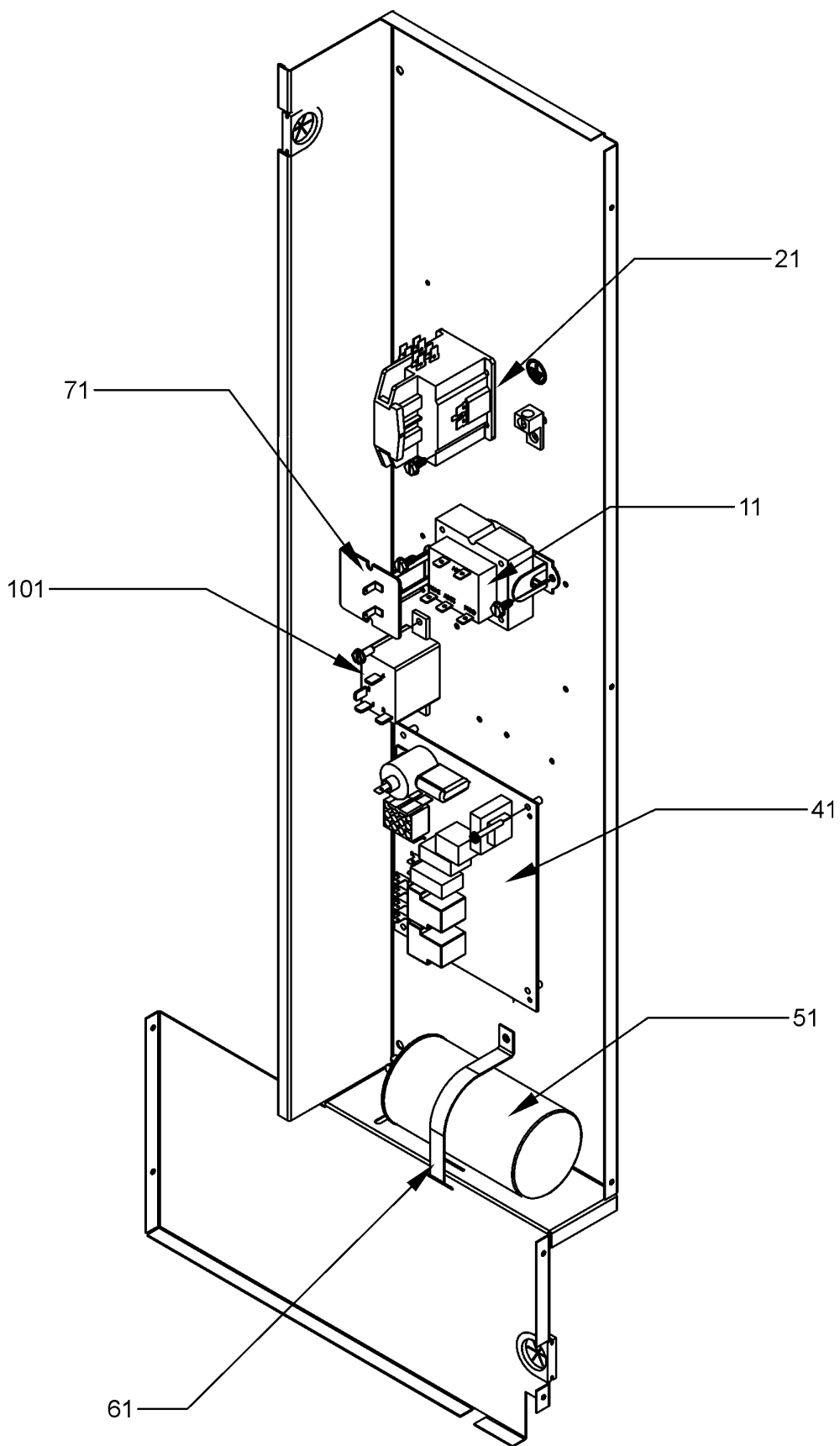
Heat Exchagne / Manifold Assembly



Heat Exchagne / Manifold Assembly

Ref. Part No: No:	Description:	Ref. Part No: No:	Description:
Image 1:		Image 1:	
21	0131G00007 MOTOR, ID BLOWER	181	0154G00003 GASKET, ID BLOWER & PLATE (M1, M2, M3, M4, M5, M6, M7, M16, M17, M18, M19, M20, M21, M22)
31	0121G00433 PLATE-ID BLWR LRG BRNR (M8, M10, M23, M25)	181	0154G00004 GASKET, ID BLOWER & PLATE (M8, M9, M10, M11, M12, M13, M14, M15, M23, M24, M25, M26, M27, M28, M29, M30)
31	0121G00430 PLATE-ID BLWR LRG 4 BRNR (M9, M11, M13, M24, M26, M28)	NS	DY6.186.070 VENT MOTOR CAPACITOR
31	0121G00431 PLATE-ID BLWR LRG 5 BRNR (M12, M14, M27, M29)	Expanded Model Nomenclature	
31	0121G00432 PLATE-ID BLWR LRG 6 BRNR (M15, M30)	M1 - APG1324045M41CA	
31	0121G00427 PLATE-ID BLWR SML 2 BRNR (M1, M3, M5, M16, M18, M20)	M2 - APG1324070M41CA	
31	0121G00428 PLATE-ID BLWR SML 3 BRNR (M2, M4, M6, M17, M19, M21)	M3 - APG1330045M41CA	
31	0121G00429 PLATE-ID BLWR SML 4 BRNR (M7, M22)	M4 - APG1330070M41CA	
41	11112501 PRESSURE SWITCH	M5 - APG1336045M41DA	
51	20490714 ASSY, PART/TUBE (M16, M18, M20)	M6 - APG1336070M41DA	
51	20490715 ASSY, PART/TUBE (M1, M3, M5)	M7 - APG1336090M41DA	
51	20490716 ASSY, PART/TUBE (M23, M25)	M8 - APG1342070M41CA	
51	20490717 ASSY, PART/TUBE (M8, M10)	M9 - APG1342090M41CA	
51	20490718 ASSY, PART/TUBE (M15)	M10 - APG1348070M41CA	
51	20490707 PART/TUBE ASSY 3B (M17, M19, M21)	M11 - APG1348090M41CA	
51	20490710 PART/TUBE ASSY 3B (M2, M4, M6)	M12 - APG1348115M41CA	
51	20490703 PART/TUBE ASSY 4B (M22)	M13 - APG1360090M41CA	
51	20490704 PART/TUBE ASSY 4B (M24, M26, M28)	M14 - APG1360115M41CA	
51	20490711 PART/TUBE ASSY 4B (M7)	M15 - APG1360140M41CA	
51	20490712 PART/TUBE ASSY 4B (M9, M11, M13)	M16 - GPG1324045M41CA	
51	20490705 PART/TUBE ASSY 5B (M27, M29)	M17 - GPG1324070M41CA	
51	20490713 PART/TUBE ASSY 5B (M12, M14)	M18 - GPG1330045M41CA	
51	20490706 PART/TUBE ASSY 6B (M30)	M19 - GPG1330070M41CA	
61	11190202 HEAT DEFLECTOR	M20 - GPG1336045M41DA	
71	0130F00014 IGNITOR	M21 - GPG1336070M41DA	
81	0151M00013 GAS VALVE (HW) SINGLE STAGE	M22 - GPG1336090M41DA	
91	0130F00010 FLAME SENSOR	M23 - GPG1342070M41CA	
101	0121M00035P MANIFOLD - 2 BRNR (M1, M3, M5, M16, M18, M20)	M24 - GPG1342090M41CA	
101	0121M00036P MANIFOLD - 3 BRNR (M8, M10, M23, M25)	M25 - GPG1348070M41CA	
101	20493103 MANIFOLD - 3 BRNR (M2, M4, M6, M17, M19, M21)	M26 - GPG1348090M41CA	
101	20493104 MANIFOLD - 4 BRNR (M7, M22)	M27 - GPG1348115M41CA	
101	20493105 MANIFOLD - 4 BRNR (M9, M11, M13, M24, M26, M28)	M28 - GPG1360090M41CA	
101	20493106 MANIFOLD - 5 BRNR (M12, M14, M27, M29)	M29 - GPG1360115M41CA	
101	20493107 MANIFOLD - 6 BRNR (M15, M30)	M30 - GPG1360140M41CA	
111	10735102 BECKETT BURNER (QTY 2)		
121	20190410 BURNER BRACKET 2B (M1, M3, M5, M16, M18, M20)		
121	20190411 BURNER BRACKET 3B (M2, M4, M6, M8, M10, M17, M19, M21, M23, M25)		
121	20190412 BURNER BRACKET 4B (M7, M9, M11, M13, M22, M24, M26, M28)		
121	20190413 BURNER BRACKET 5B (M12, M14, M27, M29)		
121	0121F00145 BURNER BRACKET 6B (M15, M30)		
131	10123532 MANUAL RESET LIMIT 350°F		
141	20484401 FLUE ELBOW LEFT		
151	20484402 FLUE ELBOW RIGHT		
161	11072201 ORIFICE SHIELD (M1, M3, M5, M16, M18, M20)		
161	11072202 ORIFICE SHIELD (M2, M4, M6, M17, M19, M21)		
161	11072203 ORIFICE SHIELD (M7, M9, M11, M13, M22, M24, M26, M28)		
161	11072204 ORIFICE SHIELD (M12, M14, M27, M29)		
161	11072205 ORIFICE SHIELD (M15, M30)		
171	0163F00018 ORIFICE (QTY 2)		

Control Panel Assembly



Control Panel Assembly

Ref. Part
No: No:

Description:

Ref. Part
No: No:

Description:

Image 1:

11	0130M00138	TRANSFORMER 208/230, 24V
21	CONT1P025024V	CONTACTOR 25 AMP, 1P, 24V (M1, M2, M3, M4, M5, M6, M7, M16, M17, M18, M19, M20, M21, M22)
21	CONT1P030024V	CONTACTOR 30 AMP, 1P, 24V (M8, M9, M10, M11, M12, M13, M14, M15, M23, M24, M25, M26, M27, M28, M29, M30)
41	PCBAG123	IGNITION BOARD, DSI INTEGRATED
51	CAP050350440CS	CAPACITOR 5/35/440V (M1, M2, M16, M17)
51	CAP050400440CT	CAPACITOR 5/40/440V/DUAL RD (M3, M4, M18, M19)
51	CAP050450440CT	CAPACITOR 5/45/440V/DUAL RD (M5, M6, M7, M8, M9, M10, M11, M12, M20, M21, M22, M23, M24, M25, M26, M27)
51	CAP050700440CT	CAPACITOR 5/70/440V/DUAL RD (M13, M14, M15, M28, M29, M30)
61	20520901	CAPACITOR STRAP
71	10728342	LIMIT SWITCH (M1, M2, M3, M4, M16, M17, M18, M19)
71	10728343	LIMIT SWITCH (M5, M6, M7, M15, M20, M21, M22, M30)
71	10728344	LIMIT SWITCH (M8, M9, M10, M11, M12, M13, M14, M23, M24, M25, M26, M27, M28, M29)
101	B1370751	24V RELAY (M10, M11, M12, M25, M26, M27)
101	0130M00242	RELAY, 24V (M13, M14, M15, M28, M29, M30)
NS	0259G00009	BLOWER HARNESS (M1, M2, M3, M4, M5, M6, M7, M8, M9, M16, M17, M18, M19, M20, M21, M22, M23, M24)
NS	0259G00214	ECONOMIZER HARNESS (M1, M2, M3, M4, M5, M6, M7, M8, M9, M13, M14, M15, M16, M17, M18, M19, M20, M21, M22, M23, M24, M28, M29, M30)
NS	0259G00023	HARNESS, BLOWER (M10, M11, M12, M13, M14, M15, M25, M26, M27, M28, M29, M30)
NS	0259G00081	HARNESS-CONTROL (M8, M9, M23, M24)
NS	0259G00083	HARNESS-CONTROL (M10, M11, M12, M25, M26, M27)
NS	0259G00084	HARNESS-CONTROL (M13, M14, M15, M28, M29, M30)
NS	0259G00086	HARNESS-CONTROL (M5, M6, M7, M20, M21, M22)
NS	0259G00118	HARNESS-CONTROL, FAN (M2, M3, M4, M17, M18, M19)
NS	0259G00119	HARNESS-CONTROL, FAN (M1, M16)
NS	0259G00113	PLUG ASSY, 12 PIN MALE (M8, M9, M13, M14, M15, M23, M24, M28, M29, M30)
NS	0259G00116	PLUG ASSY, 12 PIN MALE (M1, M2, M3, M4, M5, M6, M7, M16, M17, M18, M19, M20, M21, M22)
NS	0259G00233	PLUG ASSY, 12 PIN MALE (M10, M11, M12, M25, M26, M27)

Expanded Model Nomenclature

M1 - APG1324045M41CA
M2 - APG1324070M41CA
M3 - APG1330045M41CA
M4 - APG1330070M41CA
M5 - APG1336045M41DA
M6 - APG1336070M41DA
M7 - APG1336090M41DA
M8 - APG1342070M41CA
M9 - APG1342090M41CA
M10 - APG1348070M41CA
M11 - APG1348090M41CA
M12 - APG1348115M41CA
M13 - APG1360090M41CA
M14 - APG1360115M41CA
M15 - APG1360140M41CA
M16 - GPG1324045M41CA
M17 - GPG1324070M41CA
M18 - GPG1330045M41CA
M19 - GPG1330070M41CA
M20 - GPG1336045M41DA
M21 - GPG1336070M41DA
M22 - GPG1336090M41DA
M23 - GPG1342070M41CA
M24 - GPG1342090M41CA
M25 - GPG1348070M41CA
M26 - GPG1348090M41CA
M27 - GPG1348115M41CA
M28 - GPG1360090M41CA
M29 - GPG1360115M41CA
M30 - GPG1360140M41CA