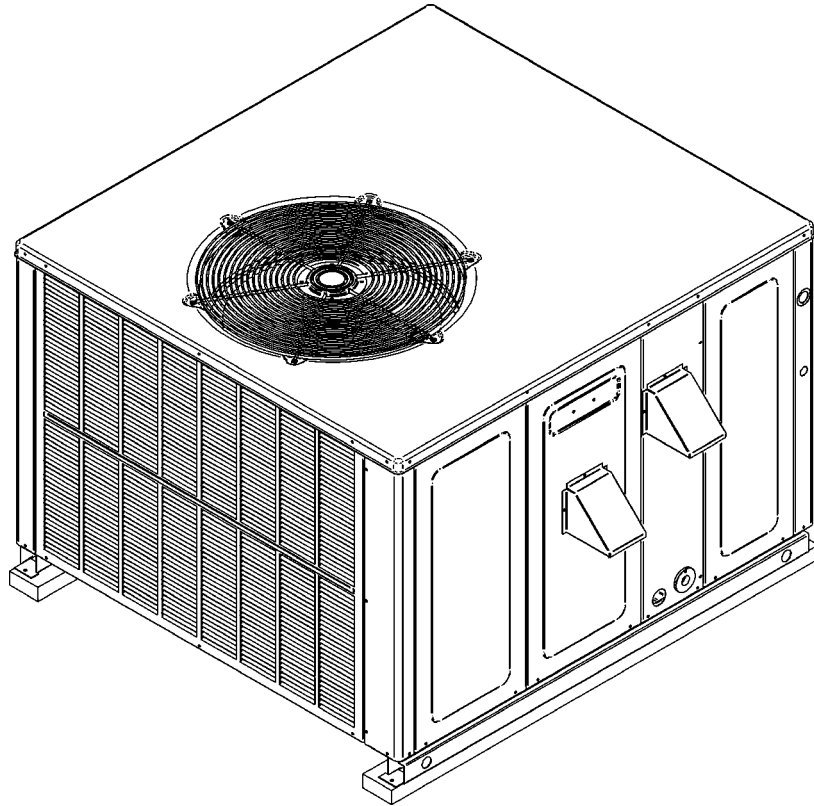


REPAIR PARTS

GPG13 Package Gas Units

GPG1324045M41AB
GPG1324070M41AB
GPG1330045M41AB
GPG1330070M41AB
GPG1336045M41AB
GPG1336070M41AB
GPG1336090M41AB
GPG1336090M43AB
GPG1342070M41AB
GPG1342090M41AB
GPG1348070M41AB
GPG1348090M41AB
GPG1348090M43AB
GPG1348115M41AB
GPG1360090M41AB
GPG1360090M43AB
GPG1360115M41AB
GPG1360140M41AB
GPG1360140M43AB



This manual is to be used by qualified technicians only.

© 2010 Goodman Manufacturing Company, L.P. ♦ 5151 San Felipe, Suite 500 ♦ Houston, TX 77056

Important Information

Index

Functional Parts List	3
Illustration and Parts	4 - 15

Views shown are for parts illustrations only, not servicing procedures.

This system uses R410A refrigerant. If sealed system work is required, use approved equipment and follow service procedures. Refer to Service Manual or Installation Instructions for service procedures.

Text Codes:

AR - As Required

NA - Not Available

NS - Not Shown

00000000 - See Note

QTY - Quantity Example (QTY 3) (If Quantity not shown, Quantity = 1)

M - Model Example (M1) (If M Code not shown, then part is used on all Models)

Expanded Model Nomenclature:

Example M1 - Model#1 M2 - Model#2 M3 - Model#3

Goodman Manufacturing Company, L.P. is not responsible for personal injury or property damage resulting from improper service. Review all service information before beginning repairs.

Warranty service must be performed by an authorized technician, using authorized factory parts. If service is required after the warranty expires, Goodman Manufacturing Company, L.P. also recommends contacting an authorized technician and using authorized factory parts.

Goodman Manufacturing Company, L.P. reserves the right to discontinue, or change at any time, specifications or designs without notice or without incurring obligations.

For assistance within the U.S.A. contact:
Consumer Affairs Department
Goodman Manufacturing Company, L.P.
7401 Security Way
Houston, Texas 77040
877-254-4729-Telephone
713-863-2382-Facsimile

For assistance outside the U.S.A. contact:
International Division
Goodman Manufacturing Company, L.P.
7401 Security Way
Houston, Texas 77040
713-861-2500-Telephone
713-863-2382-Facsimile

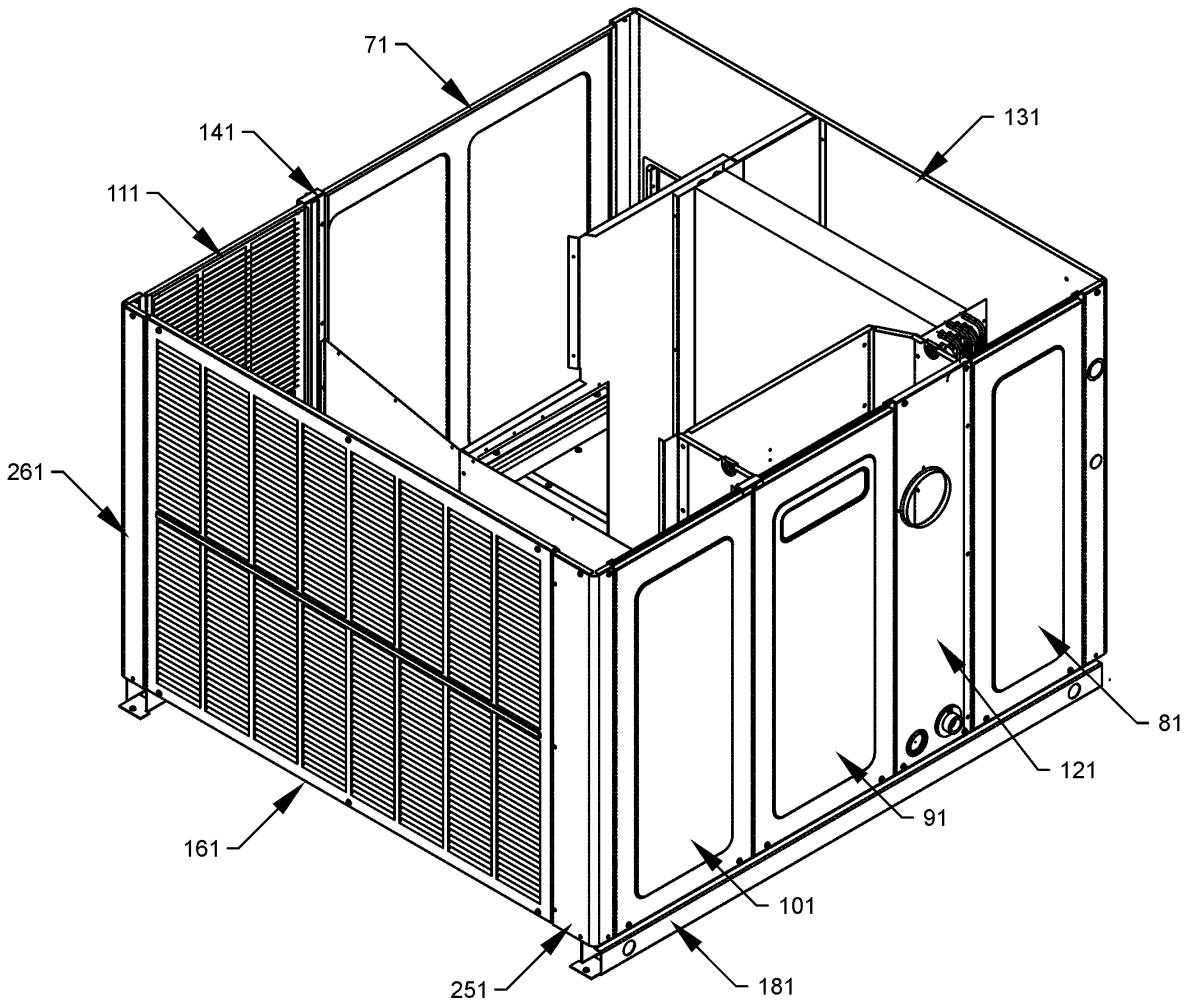
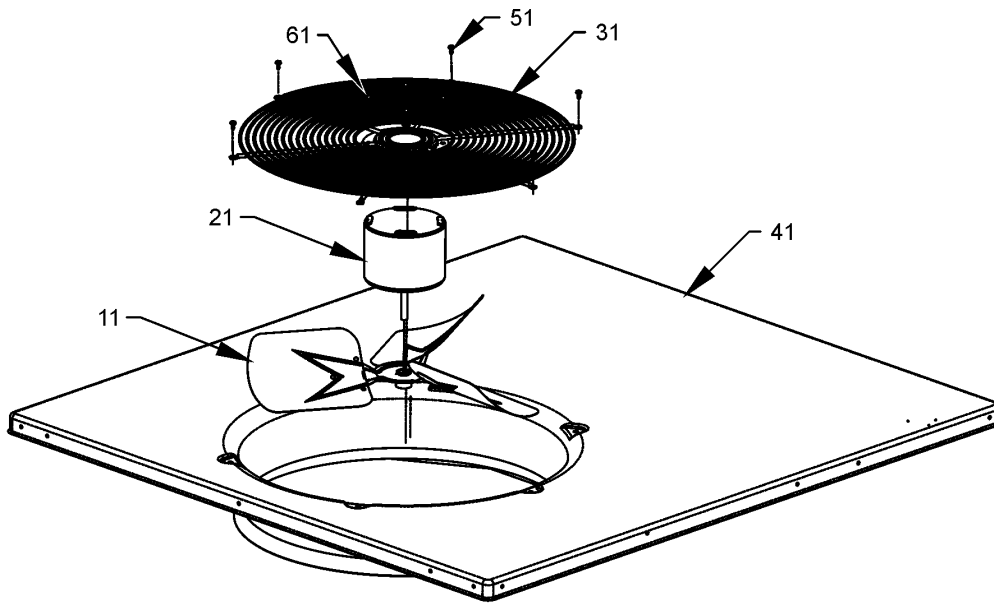
Functional Parts

Part

No: Description:

0130M00025S	24V RELAY (M11, M12, M13, M14, M15, M16, M17, M18, M19)	0150M00016S	FAN BLADE (M1, M2)																			
20269903	AUXILIARY LIMIT, AUTO RESET	B1086775S	FAN BLADE (M3, M4)																			
10735102S	BECKETT BURNER (QTY AR)	0150G00003S	FAN BLADE SWEPT WING (M9, M10, M11, M12, M13, M14, M15, M16, M17, M18, M19)																			
0231K00040	BLOWER MOTOR 1 HP PROGRAMMED X13 (M15, M16, M17, M18, M19)	0150G00002S	FAN BLADE SWEPT-WING (M5, M6, M7, M8)																			
11091202S	BLOWER MOTOR 1/3 HP, 3 SP, 6 PL (M3, M4)	0130F00010	FLAME SENSOR																			
11091203S	BLOWER MOTOR 1/3 HP, 3 SP, 6 PL (M5, M6, M7, M8, M9, M10)	0131G00000PS	ID BLOWER																			
11091207S	BLOWER MOTOR 1/4 HP, 3 SP, 8 PL (M1, M2)	PCBAG123S	IGNITION BOARD, DSI INTEGRATED																			
0231K00041	BLOWER MOTOR 3/4 HP PROGRAMMED X13 (M11, M12, M13, M14)	0130F00014S	IGNITOR																			
D6723306S	BLOWER WHEEL (M8, M9, M10)	10728342	LIMIT SWITCH (M1, M2, M3, M4)																			
D6723303S	BLOWER WHEEL (M5, M6, M7)	10728343	LIMIT SWITCH (M5, M6, M7, M18, M19)																			
B1368016S	BLOWER WHEEL 10 X 8 (M3, M4)	10728344	LIMIT SWITCH (M8, M9, M10, M11, M12, M13, M14, M15, M16, M17)																			
B1368058S	BLOWER WHEEL 10 X 8 (M1, M2)	10123532	MANUAL RESET LIMIT 350°F																			
B1368000S	BLOWER WHEEL 11 X 10 (M11, M12, M13, M14, M15, M16, M17, M18, M19)	10716003	ORIFICE (QTY AR)																			
CAP100000370VAS	CAPACITOR 10/370V [BLOWER] (M1, M2, M3, M4, M5, M6, M7, M8, M9, M10)	11112501S	PRESSURE SWITCH																			
CAP050350440RSS	CAPACITOR 5/35/440V (M1, M2, M3, M4)	B1141643	TRANSFORMER 208/230, 24V																			
CAP050000370VAS	CAPACITOR 5/370V (M8, M13, M16, M19)	0151M00013S	VALVE, GAS (HW)																			
CAP050450440RTS	CAPACITOR 5/45/440V (M5, M6, M7, M9, M10, M11, M12, M14)	SPECIAL PARTS																				
CAP050700440RTS	CAPACITOR 5/70/440V (M15, M17, M18)	HI-116B	HOMEOWNER INSTRUCTIONS																			
ZP31K5EPFV830	COMPRESSOR 31100, 208/230/60/1 (M5, M6, M7)	IO-357A	I&O																			
ZP31K5ETF5830	COMPRESSOR 31200, 200/230/60/3 (M8)	IO-653D	INSTALLATION INSTRUCTIONS																			
ZP34K5EPFV830	COMPRESSOR 34500, 208/230/60/1 (M9, M10)	Expanded Model Nomenclature																				
ZP39K5ETF5830	COMPRESSOR 39000, 200/230/60/3 (M13)	<table border="1"> <tbody> <tr><td>M1 - GPG1324045M41AB</td></tr> <tr><td>M2 - GPG1324070M41AB</td></tr> <tr><td>M3 - GPG1330045M41AB</td></tr> <tr><td>M4 - GPG1330070M41AB</td></tr> <tr><td>M5 - GPG1336045M41AB</td></tr> <tr><td>M6 - GPG1336070M41AB</td></tr> <tr><td>M7 - GPG1336090M41AB</td></tr> <tr><td>M8 - GPG1336090M43AB</td></tr> <tr><td>M9 - GPG1342070M41AB</td></tr> <tr><td>M10 - GPG1342090M41AB</td></tr> <tr><td>M11 - GPG1348070M41AB</td></tr> <tr><td>M12 - GPG1348090M41AB</td></tr> <tr><td>M13 - GPG1348090M43AB</td></tr> <tr><td>M14 - GPG1348115M41AB</td></tr> <tr><td>M15 - GPG1360090M41AB</td></tr> <tr><td>M16 - GPG1360090M43AB</td></tr> <tr><td>M17 - GPG1360115M41AB</td></tr> <tr><td>M18 - GPG1360140M41AB</td></tr> <tr><td>M19 - GPG1360140M43AB</td></tr> </tbody> </table>		M1 - GPG1324045M41AB	M2 - GPG1324070M41AB	M3 - GPG1330045M41AB	M4 - GPG1330070M41AB	M5 - GPG1336045M41AB	M6 - GPG1336070M41AB	M7 - GPG1336090M41AB	M8 - GPG1336090M43AB	M9 - GPG1342070M41AB	M10 - GPG1342090M41AB	M11 - GPG1348070M41AB	M12 - GPG1348090M41AB	M13 - GPG1348090M43AB	M14 - GPG1348115M41AB	M15 - GPG1360090M41AB	M16 - GPG1360090M43AB	M17 - GPG1360115M41AB	M18 - GPG1360140M41AB	M19 - GPG1360140M43AB
M1 - GPG1324045M41AB																						
M2 - GPG1324070M41AB																						
M3 - GPG1330045M41AB																						
M4 - GPG1330070M41AB																						
M5 - GPG1336045M41AB																						
M6 - GPG1336070M41AB																						
M7 - GPG1336090M41AB																						
M8 - GPG1336090M43AB																						
M9 - GPG1342070M41AB																						
M10 - GPG1342090M41AB																						
M11 - GPG1348070M41AB																						
M12 - GPG1348090M41AB																						
M13 - GPG1348090M43AB																						
M14 - GPG1348115M41AB																						
M15 - GPG1360090M41AB																						
M16 - GPG1360090M43AB																						
M17 - GPG1360115M41AB																						
M18 - GPG1360140M41AB																						
M19 - GPG1360140M43AB																						
ZP39K5EPFV830	COMPRESSOR 39000, 208/230/60/1 (M11, M12, M14)																					
ZP51K5EPFV830	COMPRESSOR 51000, 208/230/60/1 (M15, M17, M18)																					
ZP51K5ETF5830	COMPRESSOR 51000, 208/230/60/3 (M16, M19)																					
760005-2001-10	COMPRESSOR, BRISTOL (M3, M4)																					
760001-2001-10	COMPRESSOR, BRISTOL (M1, M2)																					
0131M00007PS	COND MOTOR 1/4 HP, 1 SP, 6 PL (M3, M4, M9, M10, M11, M12, M13, M14, M15, M16, M17, M18, M19)																					
0131M00061S	COND MOTOR 1/4HP, 1SP, 8PL (M1, M2, M5, M6, M7, M8)																					
CONT2P025024VS	CONTACTOR 25 AMP, 2P, 24V (M1, M2, M3, M4, M5, M6, M7)																					
CONT3P025024VS	CONTACTOR 25 AMP, 3P, 24V (M8, M13, M16, M19)																					
CONT2P030024VS	CONTACTOR 30 AMP, 2P, 24V (M9, M10, M11, M12, M14, M15, M17, M18)																					
0130M00018S	CUT-OUT SWITCH, HIGH PRESSURE																					

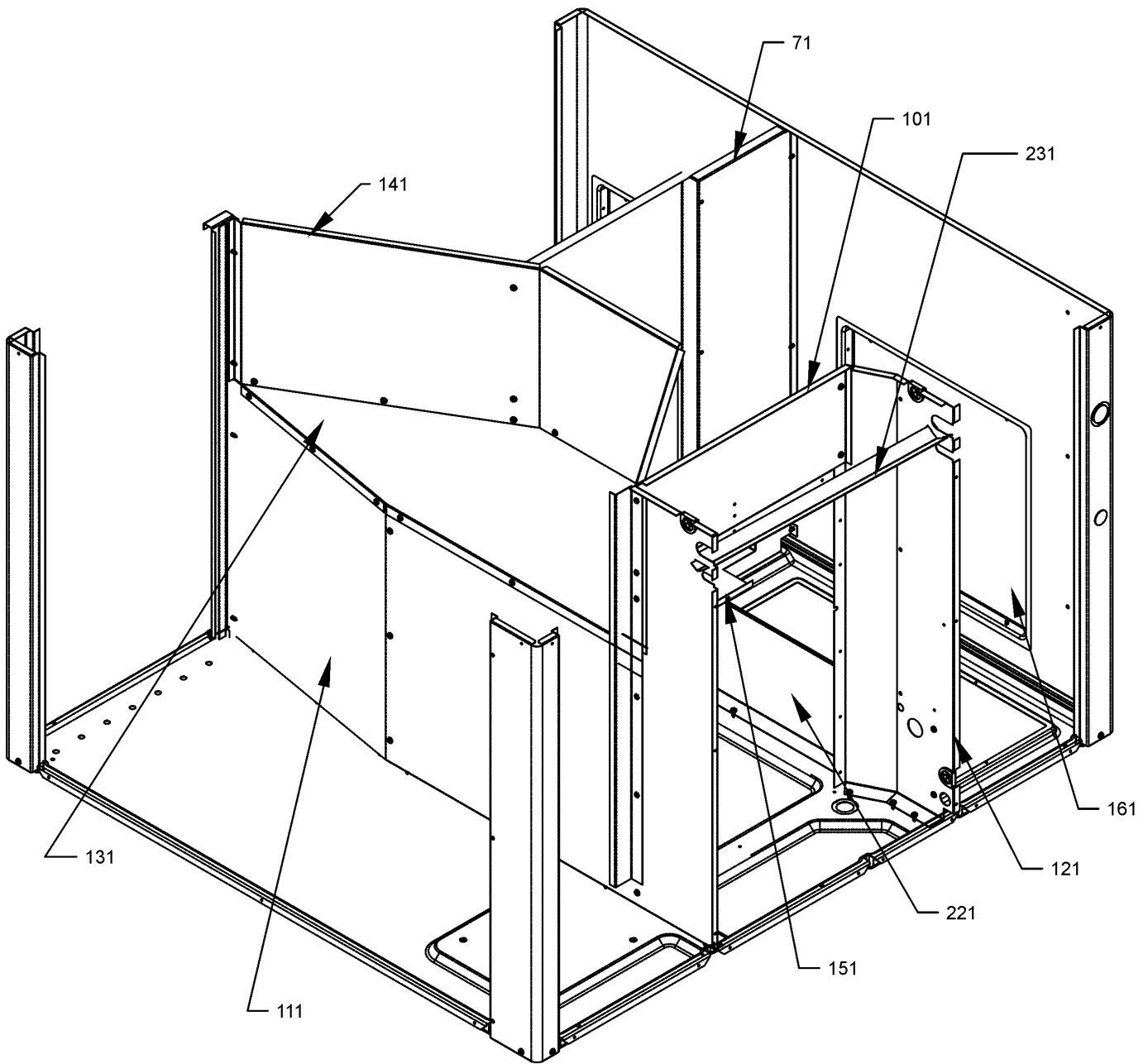
Top Panel / Fan / Cabinet



Top Panel / Fan / Cabinet

Ref. Part No:	No:	Description:	Ref. Part No:	No:	Description:																			
<i>Image 1:</i>			<i>Image 1:</i>																					
11	0150M00016S	FAN BLADE (M1, M2)	261	20464301PDGS	CORNER POST-HAIRPIN END 32" (M1, M2, M3, M4, M5, M6, M7)																			
11	B1086775S	FAN BLADE (M3, M4)	261	20464302PDGS	CORNER POST-HAIRPIN END 40" (M8, M9, M10, M11, M12, M13, M14, M15, M16, M17, M18, M19)																			
11	0150G00003S	FAN BLADE SWEPT WING (M9, M10, M11, M12, M13, M14, M15, M16, M17, M18, M19)	NS	0121G00323	FLUE HOOD (QTY 2)																			
11	0150G00002S	FAN BLADE SWEPT-WING (M5, M6, M7, M8)	NS	0270G00131	FLUE HOOD ASSY																			
21	0131M00007PS	COND MOTOR 1/4 HP, 1 SP, 6 PL (M3, M4, M9, M10, M11, M12, M13, M14, M15, M16, M17, M18, M19)	NS	0121G00190S	FLUE HOOD-LOWER																			
21	0131M00061S	COND MOTOR 1/4HP, 1SP, 8PL (M1, M2, M5, M6, M7, M8)	NS	B1910012	GAS LINE GROMMET																			
31	0152G00002S	FAN GRILLE	NS	17788000083F	PVC CONDUIT 8.25"																			
41	20466001PDGS	TOP PANEL	Expanded Model Nomenclature																					
51	B1393500	SCREW,#10X1/2,"A"BLKCK (QTY 6)	<table border="1"> <tr><td>M1 - GPG1324045M41AB</td></tr> <tr><td>M2 - GPG1324070M41AB</td></tr> <tr><td>M3 - GPG1330045M41AB</td></tr> <tr><td>M4 - GPG1330070M41AB</td></tr> <tr><td>M5 - GPG1336045M41AB</td></tr> <tr><td>M6 - GPG1336070M41AB</td></tr> <tr><td>M7 - GPG1336090M41AB</td></tr> <tr><td>M8 - GPG1336090M43AB</td></tr> <tr><td>M9 - GPG1342070M41AB</td></tr> <tr><td>M10 - GPG1342090M41AB</td></tr> <tr><td>M11 - GPG1348070M41AB</td></tr> <tr><td>M12 - GPG1348090M41AB</td></tr> <tr><td>M13 - GPG1348090M43AB</td></tr> <tr><td>M14 - GPG1348115M41AB</td></tr> <tr><td>M15 - GPG1360090M41AB</td></tr> <tr><td>M16 - GPG1360090M43AB</td></tr> <tr><td>M17 - GPG1360115M41AB</td></tr> <tr><td>M18 - GPG1360140M41AB</td></tr> <tr><td>M19 - GPG1360140M43AB</td></tr> </table>			M1 - GPG1324045M41AB	M2 - GPG1324070M41AB	M3 - GPG1330045M41AB	M4 - GPG1330070M41AB	M5 - GPG1336045M41AB	M6 - GPG1336070M41AB	M7 - GPG1336090M41AB	M8 - GPG1336090M43AB	M9 - GPG1342070M41AB	M10 - GPG1342090M41AB	M11 - GPG1348070M41AB	M12 - GPG1348090M41AB	M13 - GPG1348090M43AB	M14 - GPG1348115M41AB	M15 - GPG1360090M41AB	M16 - GPG1360090M43AB	M17 - GPG1360115M41AB	M18 - GPG1360140M41AB	M19 - GPG1360140M43AB
M1 - GPG1324045M41AB																								
M2 - GPG1324070M41AB																								
M3 - GPG1330045M41AB																								
M4 - GPG1330070M41AB																								
M5 - GPG1336045M41AB																								
M6 - GPG1336070M41AB																								
M7 - GPG1336090M41AB																								
M8 - GPG1336090M43AB																								
M9 - GPG1342070M41AB																								
M10 - GPG1342090M41AB																								
M11 - GPG1348070M41AB																								
M12 - GPG1348090M41AB																								
M13 - GPG1348090M43AB																								
M14 - GPG1348115M41AB																								
M15 - GPG1360090M41AB																								
M16 - GPG1360090M43AB																								
M17 - GPG1360115M41AB																								
M18 - GPG1360140M41AB																								
M19 - GPG1360140M43AB																								
61	0163M00006P	ACORN NUT 5/16 HEX BLACK (QTY 4)																						
71	0260G00025PS	INSULATED ASSY, BLOWER PANEL 32.5" (M1, M2, M3, M4, M5, M6, M7)																						
71	0260G00026PS	INSULATED ASSY, BLOWER PANEL 40" (M8, M9, M10, M11, M12, M13, M14, M15, M16, M17, M18, M19)																						
81	20464807PDGS	EVAP/CONTROL DOOR 40" (M8, M9, M10, M11, M12, M13, M14, M15, M16, M17, M18, M19)																						
81	20464802PDGS	EVAP/CONTROL DOOR, 32" (M1, M2, M3, M4, M5, M6, M7)																						
91	0121G00179DGS	HEAT EXCHANGER DOOR 32" (M1, M2, M3, M4, M5, M6, M7)																						
91	0121G00181DGS	HEAT EXCHANGER DOOR 40" (M8, M9, M10, M11, M12, M13, M14, M15, M16, M17, M18, M19)																						
101	20464804PDGS	COMPRESSOR DOOR, 32" (M1, M2, M3, M4, M5, M6, M7)																						
101	20464809PDGS	COMPRESSOR DOOR, 40" (M8, M9, M10, M11, M12, M13, M14, M15, M16, M17, M18, M19)																						
111	20467701PDGS	LOUVERED PANEL, COND SIDE 32" (M1, M2, M3, M4, M5, M6, M7)																						
111	20467702PDGS	LOUVERED PANEL, COND SIDE 40" (M8, M9, M10, M11, M12, M13, M14, M15, M16, M17, M18, M19)																						
121	20466101PDGS	UTILITY PANEL 32" (M1, M2, M3, M4, M5, M6, M7)																						
121	20466102PDGS	UTILITY PANEL 40" (M8, M9, M10, M11, M12, M13, M14, M15, M16, M17, M18, M19)																						
131	0121G00239DGS	DUCT PANEL, 32.5" (M1, M2, M3, M4, M5, M6, M7)																						
131	0121G00240DGS	DUCT PANEL, 40" (M8, M9, M10, M11, M12, M13, M14, M15, M16, M17, M18, M19)																						
141	0121G00208	SUPPORT POST 32" (M1, M2, M3, M4, M5, M6, M7)																						
141	0121G00209	SUPPORT POST 40" (M8, M9, M10, M11, M12, M13, M14, M15, M16, M17, M18, M19)																						
161	20464401PDGS	LOUVERED PANEL, COND SIDE 32" (M1, M2, M3, M4, M5, M6, M7)																						
161	20464402PDGS	LOUVERED PANEL, COND SIDE 40" (M8, M9, M10, M11, M12, M13, M14, M15, M16, M17, M18, M19)																						
181	0121G00290	BASE PAN RAIL (QTY 2)																						
251	20464201PDGS	CORNER POST-COMP END 32" (M1, M2, M3, M4, M5, M6, M7)																						
251	20464202PDGS	CORNER POST-COMP END 40" (M8, M9, M10, M11, M12, M13, M14, M15, M16, M17, M18, M19)																						

Partition Assembly



Partition Assembly

Ref. Part No:	Ref. Part No:	Description:	Description:
<i>Image 1:</i>			
71	20465305	BLOWER DIVIDER (M1, M2, M3, M4)	
71	20465306	BLOWER DIVIDER (M8, M9, M10)	
71	20465304	BLOWER DIVIDER 32" 10 X 9 (M5, M6, M7)	
71	0121G00177	BLOWER DIVIDER 38" (M11, M12, M13, M14, M15, M16, M17, M18, M19)	
101	20465201	FILLER PANEL, HEAT EXCHANGER 32" (M1, M2, M3, M4, M5, M6, M7)	
101	20465202	FILLER PANEL, HEAT EXCHANGER 40" (M8, M9, M10, M11, M12, M13, M14, M15, M16, M17, M18, M19)	
111	0121G00360	PARTITION PANEL, 32.5" (M1, M2, M3, M4, M5, M6, M7)	
111	0121G00361	PARTITION PANEL, 40" (M8, M9, M10, M11, M12, M13, M14, M15, M16, M17, M18, M19)	
121	20465501	EVAP/HEAT EXCHANGER DIVIDER 32" (M1, M2, M3, M4, M5, M6, M7)	
121	20465502	EVAP/HEAT EXCHANGER DIVIDER 38" (M8, M9, M10, M11, M12, M13, M14, M15, M16, M17, M18, M19)	
131	20465701	FAN PARTITION SHELF	
141	20465801	FAN SURROUND 32" (M1, M2, M3, M4, M5, M6, M7)	
141	20465802	FAN SURROUND 40" (M8, M9, M10, M11, M12, M13, M14, M15, M16, M17, M18, M19)	
161	20464502PDGS	BACK DUCT COVER 40" (M8, M13, M16, M19)	
221	20463802	EVAP/BASEPAN BLOCK 32" (M1, M2, M3, M4, M5, M6, M7)	
221	20463801	EVAP/BASEPAN BLOCK 40" (M8, M9, M10, M11, M12, M13, M14, M15, M16, M17, M18, M19)	
231	20496801	DRAIN CHANNEL, SUCTION TUBE	

Expanded Model Nomenclature

- M1 - GPG1324045M41AB
- M2 - GPG1324070M41AB
- M3 - GPG1330045M41AB
- M4 - GPG1330070M41AB
- M5 - GPG1336045M41AB
- M6 - GPG1336070M41AB
- M7 - GPG1336090M41AB
- M8 - GPG1336090M43AB
- M9 - GPG1342070M41AB
- M10 - GPG1342090M41AB
- M11 - GPG1348070M41AB
- M12 - GPG1348090M41AB
- M13 - GPG1348090M43AB
- M14 - GPG1348115M41AB
- M15 - GPG1360090M41AB
- M16 - GPG1360090M43AB
- M17 - GPG1360115M41AB
- M18 - GPG1360140M41AB
- M19 - GPG1360140M43AB

Basepan / Blower Assembly

Image 1

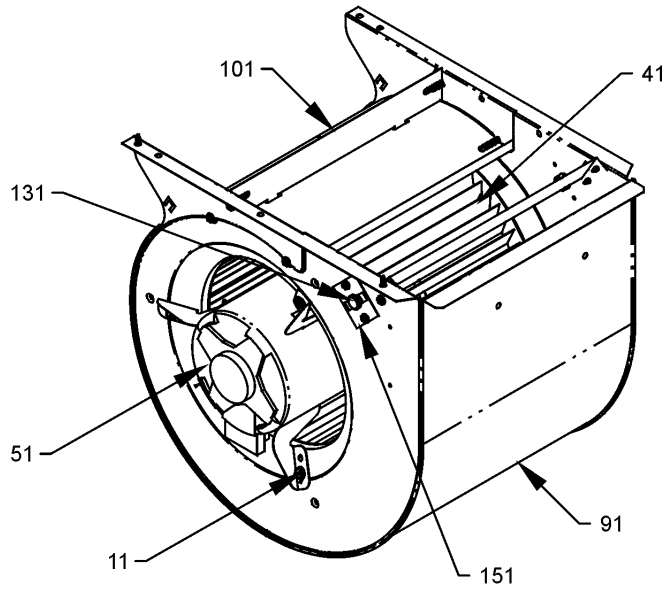
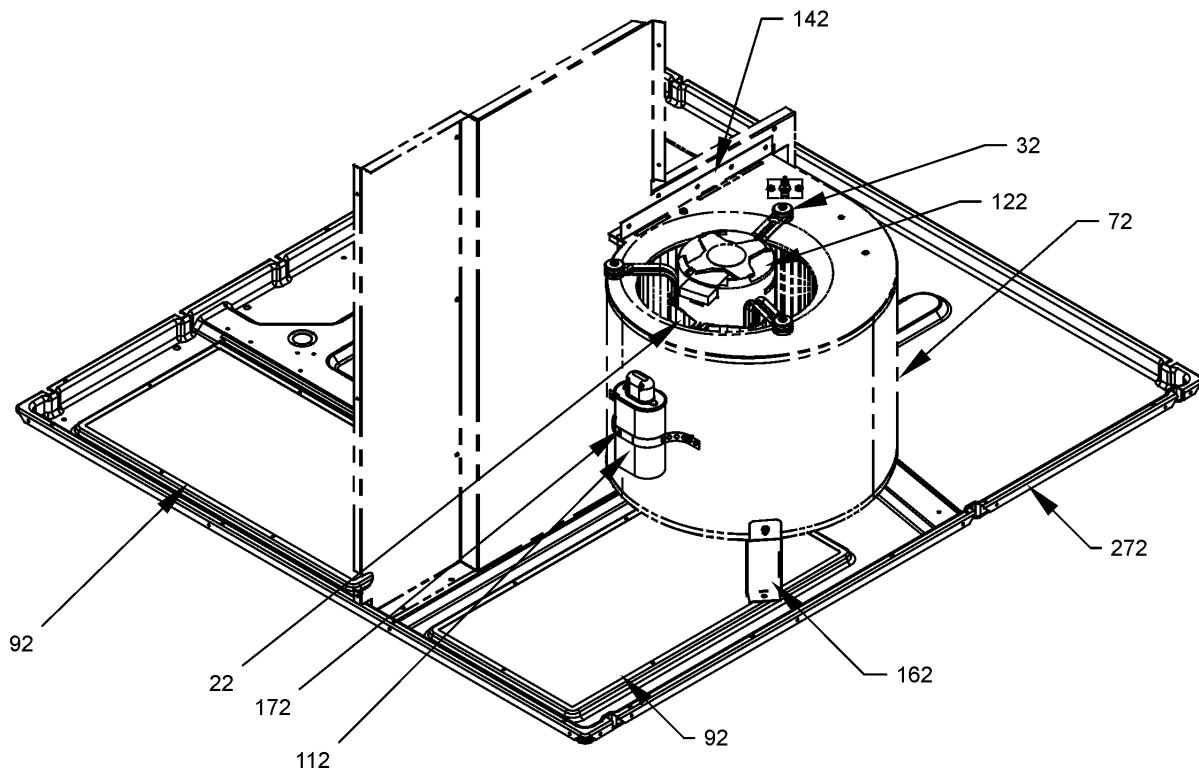


Image 2

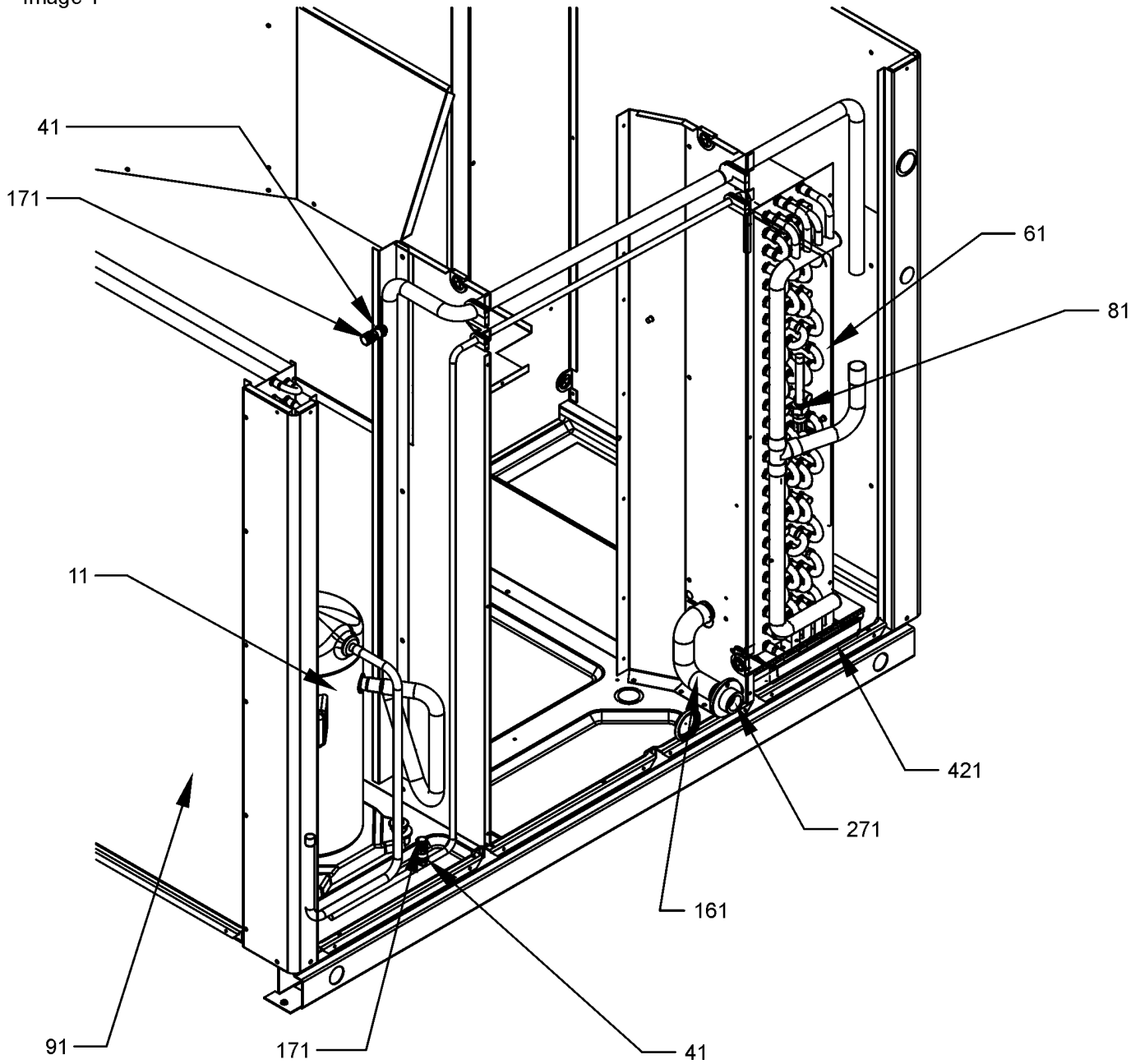


Basepan / Blower Assembly

Ref. Part No:	No:	Description:	Ref. Part No:	No:	Description:
<i>Image 1:</i>			Expanded Model Nomenclature		
11	M0250558	TC SCREW (M1, M2, M3, M4, M5, M6, M7, M8, M9, M10)	M1 -	GPG1324045M41AB	
41	D6723303S	BLOWER WHEEL (M5, M6, M7)	M2 -	GPG1324070M41AB	
41	D6723306S	BLOWER WHEEL (M8, M9, M10)	M3 -	GPG1330045M41AB	
41	B1368016S	BLOWER WHEEL 10 X 8 (M3, M4)	M4 -	GPG1330070M41AB	
41	B1368058S	BLOWER WHEEL 10 X 8 (M1, M2)	M5 -	GPG1336045M41AB	
51	11091202S	BLOWER MOTOR 1/3 HP, 3 SP, 6 PL (M3, M4)	M6 -	GPG1336070M41AB	
51	11091203S	BLOWER MOTOR 1/3 HP, 3 SP, 6 PL (M5, M6, M7, M8, M9, M10)	M7 -	GPG1336090M41AB	
51	11091207S	BLOWER MOTOR 1/4 HP, 3 SP, 8 PL (M1, M2)	M8 -	GPG1336090M43AB	
91	0271F00057	BLOWER HOUSING ASSY 10 X 10 (M8, M9, M10)	M9 -	GPG1342070M41AB	
91	0271F00001PS	BLOWER HOUSING ASSY 10 X 8 (M1, M2)	M10 -	GPG1342090M41AB	
91	0271G00025	BLOWER HOUSING ASSY 10 X 8 (M3, M4)	M11 -	GPG1348070M41AB	
91	0271G00024S	BLOWER HOUSING ASSY 10 X 9 (M5, M6, M7)	M12 -	GPG1348090M41AB	
101	764742	BLOWER BLOCK-OFF (M5, M6, M7)	M13 -	GPG1348090M43AB	
101	764741F	BLOWER BLOCK-OFF 10 X 10 (M8, M9, M10)	M14 -	GPG1348115M41AB	
101	764740F	BLOWER BLOCK-OFF 10 X 8 (M1, M2, M3, M4)	M15 -	GPG1360090M41AB	
101	1864703F	BLOWER CUT-OFF (M11, M12, M13, M14, M15, M16, M17, M18, M19)	M16 -	GPG1360090M43AB	
131	20269903	AUXILIARY LIMIT, AUTO RESET	M17 -	GPG1360115M41AB	
151	2509503F	AUXILIARY LIMIT BRACKET	M18 -	GPG1360140M41AB	
NS	B1392143	GROMMET, 26TAL F/TORSIN FLEX (M1, M2, M3, M4, M8, M9, M10)	M19 -	GPG1360140M43AB	
<i>Image 2:</i>					
22	0121M00038	MOTOR MOUNT BAND (M11, M12, M13, M14, M15, M16, M17, M18, M19)			
32	B1376857	MOTOR MOUNT ARM (M11, M12, M13, M14, M15, M16, M17, M18, M19)			
72	2539309S	BLOWER HOUSING ASSY 11 X 10 (M11, M12, M13, M14, M15, M16, M17, M18, M19)			
92	0121G00148	SINGLE COVER, DOWN DISCHARGE (QTY 2)			
112	CAP100000370VAS	CAPACITOR 10/370V [BLOWER] (M1, M2, M3, M4, M5, M6, M7, M8, M9, M10)			
122	0231K00040	BLOWER MOTOR 1 HP PROGRAMMED X13 (M15, M16, M17, M18, M19)			
122	0231K00041	BLOWER MOTOR 3/4 HP PROGRAMMED X13 (M11, M12, M13, M14)			
142	20463701	11 X 10 BLOWER MOUNTING (M11, M12, M13, M14, M15, M16, M17, M18, M19)			
172	20520901	CAPACITOR STRAP (M1, M2, M3, M4, M5, M6, M7, M8, M9, M10)			
272	0121G00289	BASE PAN			
NS	B1368000S	BLOWER WHEEL 11 X 10 (M11, M12, M13, M14, M15, M16, M17, M18, M19)			
NS	B821700	CAPACITOR BOOT (M1, M2, M3, M4, M5, M6, M7, M8, M9, M10)			
NS	B1393800	LOCKNUT, NYLON, INSERT 1/4, 20 (M11, M12, M13, M14, M15, M16, M17, M18, M19)			
NS	B1393323	MACHINE SCREW HWH 1/4-20 X 1-1/2 BZ (M11, M12, M13, M14, M15, M16, M17, M18, M19)			

Compressor / Tubing Assembly

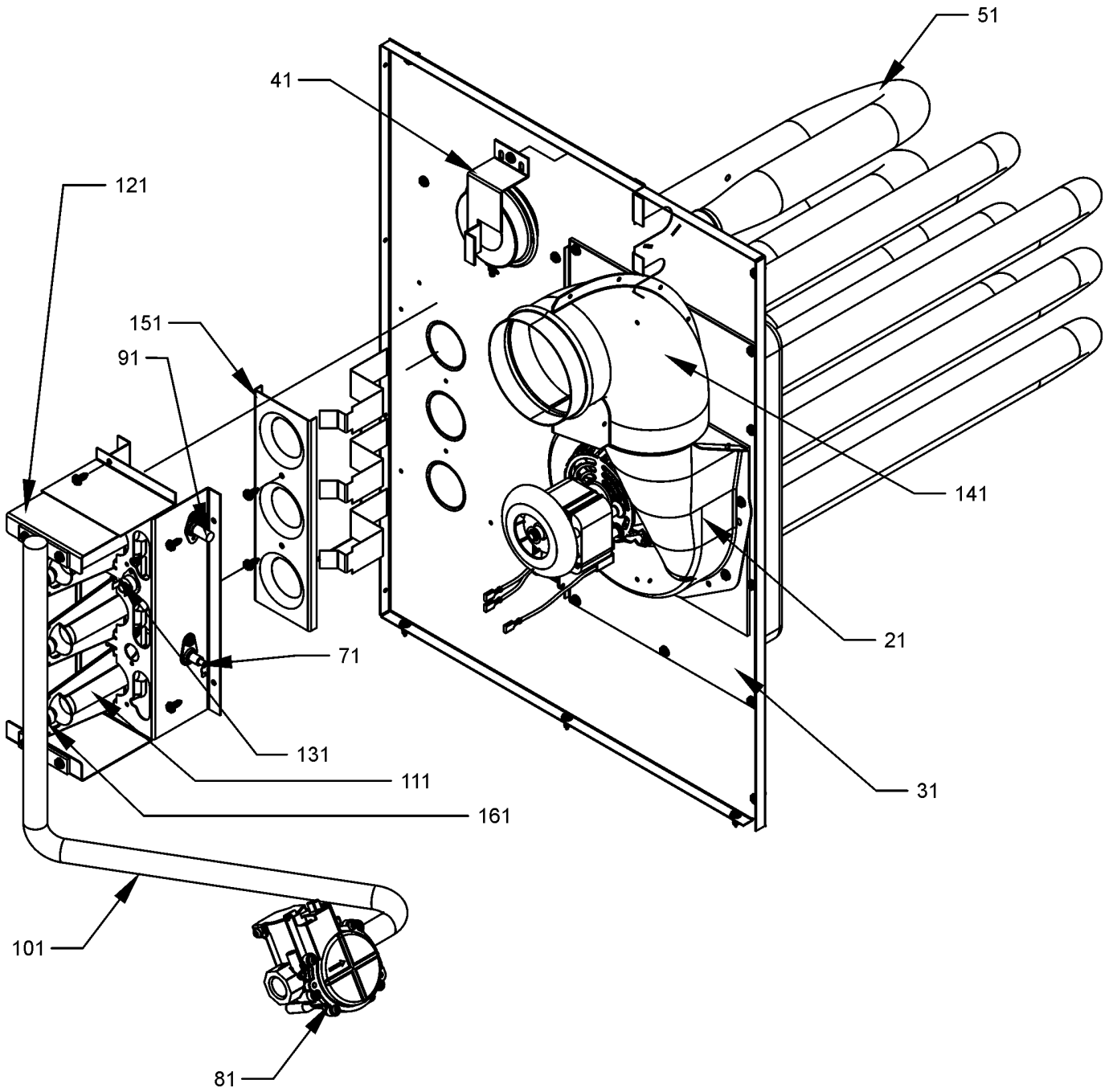
Image 1



Compressor / Tubing Assembly

Ref. Part No:	No:	Description:	Ref. Part No:	No:	Description:																			
<i>Image 1:</i>			<i>Image 1:</i>																					
11	ZP31K5EPFV830	COMPRESSOR 31100, 208/230/60/1 (M5, M6, M7)	NS	0121G00324	EVAP DRIP SHIELD (M1, M2, M3, M4, M5, M6, M7, M8, M9, M10, M11, M12, M13, M14, M15, M16, M17, M18)																			
11	ZP31K5ETF5830	COMPRESSOR 31200, 200/230/60/3 (M8)																						
11	ZP34K5EPFV830	COMPRESSOR 34500, 208/230/60/1 (M9, M10)	NS	B1810011	HOSE CLAMP 1.25 (QTY 2)																			
11	ZP39K5ETF5830	COMPRESSOR 39000, 200/230/60/3 (M13)	NS	B1219212	SINGLE-FLOW FILTER DRIER, STEEL (M1, M2, M3, M4, M5, M6, M7)																			
11	ZP39K5EPFV830	COMPRESSOR 39000, 208/230/60/1 (M11, M12, M14)	NS	B1219225	SINGLE-FLOW FILTER DRIER, STEEL (M8, M9, M10, M11, M12, M13, M14, M15, M16, M17, M18, M19)																			
11	ZP51K5EPFV830	COMPRESSOR 51000, 208/230/60/1 (M15, M17, M18)																						
11	ZP51K5ETF5830	COMPRESSOR 51000, 208/230/60/3 (M16, M19)	NS	M0221641	TF SHOULDER SCREW (QTY 4)																			
11	760001-2001-10	COMPRESSOR, BRISTOL (M1, M2)	Expanded Model Nomenclature																					
11	760005-2001-10	COMPRESSOR, BRISTOL (M3, M4)	<table border="1"> <tr><td>M1 - GPG1324045M41AB</td></tr> <tr><td>M2 - GPG1324070M41AB</td></tr> <tr><td>M3 - GPG1330045M41AB</td></tr> <tr><td>M4 - GPG1330070M41AB</td></tr> <tr><td>M5 - GPG1336045M41AB</td></tr> <tr><td>M6 - GPG1336070M41AB</td></tr> <tr><td>M7 - GPG1336090M41AB</td></tr> <tr><td>M8 - GPG1336090M43AB</td></tr> <tr><td>M9 - GPG1342070M41AB</td></tr> <tr><td>M10 - GPG1342090M41AB</td></tr> <tr><td>M11 - GPG1348070M41AB</td></tr> <tr><td>M12 - GPG1348090M41AB</td></tr> <tr><td>M13 - GPG1348090M43AB</td></tr> <tr><td>M14 - GPG1348115M41AB</td></tr> <tr><td>M15 - GPG1360090M41AB</td></tr> <tr><td>M16 - GPG1360090M43AB</td></tr> <tr><td>M17 - GPG1360115M41AB</td></tr> <tr><td>M18 - GPG1360140M41AB</td></tr> <tr><td>M19 - GPG1360140M43AB</td></tr> </table>			M1 - GPG1324045M41AB	M2 - GPG1324070M41AB	M3 - GPG1330045M41AB	M4 - GPG1330070M41AB	M5 - GPG1336045M41AB	M6 - GPG1336070M41AB	M7 - GPG1336090M41AB	M8 - GPG1336090M43AB	M9 - GPG1342070M41AB	M10 - GPG1342090M41AB	M11 - GPG1348070M41AB	M12 - GPG1348090M41AB	M13 - GPG1348090M43AB	M14 - GPG1348115M41AB	M15 - GPG1360090M41AB	M16 - GPG1360090M43AB	M17 - GPG1360115M41AB	M18 - GPG1360140M41AB	M19 - GPG1360140M43AB
M1 - GPG1324045M41AB																								
M2 - GPG1324070M41AB																								
M3 - GPG1330045M41AB																								
M4 - GPG1330070M41AB																								
M5 - GPG1336045M41AB																								
M6 - GPG1336070M41AB																								
M7 - GPG1336090M41AB																								
M8 - GPG1336090M43AB																								
M9 - GPG1342070M41AB																								
M10 - GPG1342090M41AB																								
M11 - GPG1348070M41AB																								
M12 - GPG1348090M41AB																								
M13 - GPG1348090M43AB																								
M14 - GPG1348115M41AB																								
M15 - GPG1360090M41AB																								
M16 - GPG1360090M43AB																								
M17 - GPG1360115M41AB																								
M18 - GPG1360140M41AB																								
M19 - GPG1360140M43AB																								
41	B1373315	ACCESS FITTING (QTY 2)																						
61	0202G00282	EVAP COIL TUBING ASSY (M11, M12, M13, M14)																						
61	0202G00283	EVAP COIL TUBING ASSY (M1, M2)																						
61	0202G00288	EVAP COIL TUBING ASSY (M3, M4)																						
61	0202G00290	EVAP COIL TUBING ASSY (M5, M6, M7, M8)																						
61	0202G00291	EVAP COIL TUBING ASSY (M9, M10)																						
61	0202G00292	EVAP COIL TUBING ASSY (M15, M16, M17, M18, M19)																						
81	0162M00116	FLOWRATOR .053 (M1, M2)																						
81	B1314862	FLOWRATOR .062 (M3, M4)																						
81	B1314868	FLOWRATOR .068 (M8)																						
81	0162M00117	FLOWRATOR .070 (M5, M6, M7)																						
81	0162M00118	FLOWRATOR .072 (M9, M10)																						
81	B1314876	FLOWRATOR .076 (M11, M12, M13, M14)																						
81	0162M00119	FLOWRATOR .087 (M15, M16, M17, M18, M19)																						
91	0201G00139	COND COIL ASSY (M8, M9, M10)																						
91	0201G00142	COND COIL TUBING ASSY (M1, M2, M3, M4, M5, M6, M7)																						
91	0201G00143	COND COIL TUBING ASSY (M15, M16, M17, M18, M19)																						
91	0201G00144	COND COIL TUBING ASSY (M11, M12, M13, M14)																						
161	20498302	DRAIN TUBE 32" (M1, M2, M3, M4, M5, M6, M7)																						
161	20498301	DRAIN TUBE 40" (M8, M9, M10, M11, M12, M13, M14, M15, M16, M17, M18, M19)																						
171	B9102097	CAP W/O-RING (QTY 2)																						
271	20513001	EVAP DRAIN FITTING																						
421	20464901	DRIP PAN, EVAP COIL																						
NS	B1339530	COMPRESSOR GROMMET (M1, M2, M3, M4)																						
NS	B1339533	COMPRESSOR GROMMET (M5, M6, M7, M8, M9, M10, M11, M12, M13, M14, M15, M16, M17, M18, M19)																						
NS	0159G00002	COMPRESSOR SCROLL HARNESS (M5, M6, M7)																						
NS	0159G00006	COMPRESSOR SCROLL HARNESS (M9, M10, M11, M12, M14, M15, M17, M18)																						
NS	0159G00007	COMPRESSOR SCROLL HARNESS (M8, M13, M16, M19)																						
NS	0130M00018S	CUT-OUT SWITCH, HIGH PRESSURE																						

Heat Exchanger / Manifold / Gas Valve



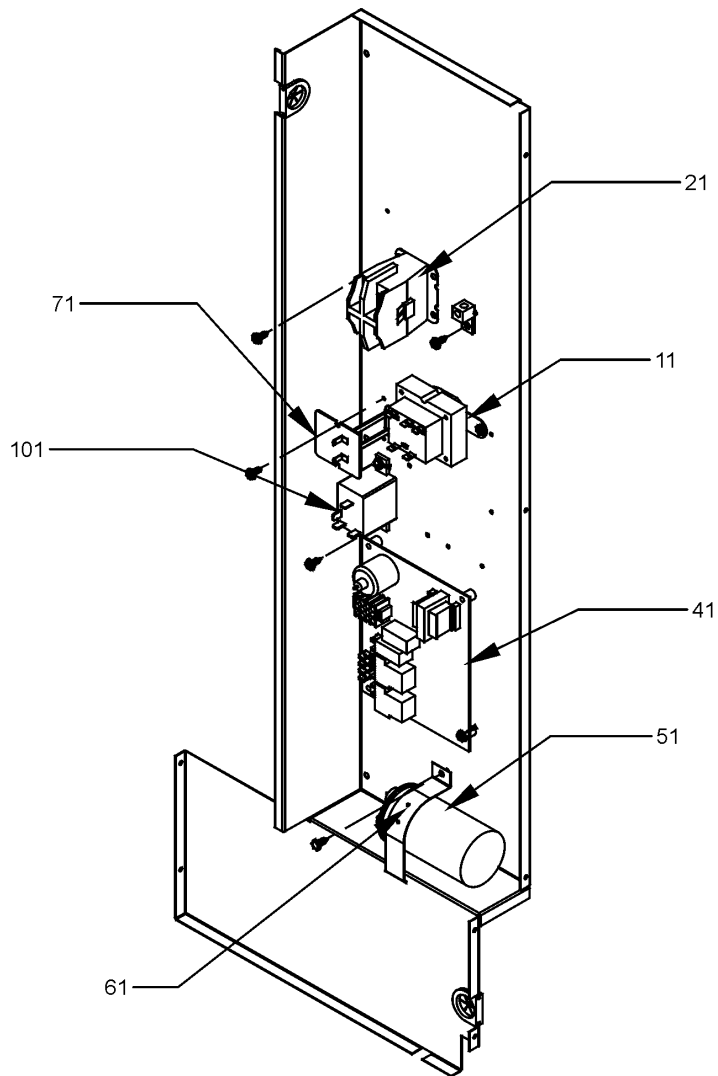
Heat Exchanger / Manifold / Gas Valve

Ref. Part No:	Ref. Part No:	Description:	Description:
<i>Image 1:</i>		<i>Image 1:</i>	
21	0131G00000PS	ID BLOWER	NS 20463001 ID BLOWER PLATE GASKET LRG (M8, M9, M10, M11, M12, M13, M14, M15, M16, M17, M18, M19)
31	20463204	ID BLOWER PLATE LRG 3 BRNR (M9, M11)	NS 20462801 ID BLOWER PLATE GASKET SML (M1, M2, M3, M4, M5, M6, M7)
31	20463201	ID BLOWER PLATE LRG 4 BRNR (M8, M10, M12, M13, M15, M16)	
31	20463202	ID BLOWER PLATE LRG 5 BRNR (M14, M17)	
31	20463203	ID BLOWER PLATE LRG 6 BRNR (M18, M19)	
31	20463101	ID BLOWER PLATE SML 2 BRNR (M1, M3, M5)	
31	20463102	ID BLOWER PLATE SML 3 BRNR (M2, M4, M6)	
31	20463103	ID BLOWER PLATE SML 4 BRNR (M7)	
41	11112501S	PRESSURE SWITCH	
51	4305020	HEAT EXCHANGER ASSY (M2, M4, M6)	
51	4305021	HEAT EXCHANGER ASSY (M1, M3, M5)	
51	4305024	HEAT EXCHANGER ASSY (M9, M11)	
51	4305011	HEAT EXCHANGER ASSY 4B (LRG-12) (M8, M10, M12, M13, M15, M16)	
51	4305008S	HEAT EXCHANGER ASSY 4B (MED-12) (M7)	
51	4305012	HEAT EXCHANGER ASSY 5B (LRG-12) (M14, M17)	
51	4305006	HEAT EXCHANGER ASSY 6B LRG (M18, M19)	
71	0130F00014S	IGNITOR	
81	0151M00013S	VALVE, GAS (HW)	
91	0130F00010	FLAME SENSOR	
101	0121M00035P	MANIFOLD - 2 BRNR (M1, M3, M5)	
101	0121M00036P	MANIFOLD - 3 BRNR (M9, M11)	
101	20493103	MANIFOLD - 3 BRNR (M2, M4, M6)	
101	20493105	MANIFOLD - 4 BRNR (M8, M10, M12, M13, M15, M16)	
101	20493106	MANIFOLD - 5 BRNR (M14, M17)	
101	20493107	MANIFOLD - 6 BRNR (M18, M19)	
101	20473104	MANIFOLD 4 BURNER (M7)	
111	10735102S	BECKETT BURNER (QTY AR)	
121	20190415	BURNER BRACKET 2B (M1, M3, M5)	
121	20190411	BURNER BRACKET 3B (M2, M4, M6, M9, M11)	
121	20190412	BURNER BRACKET 4B (M7, M8, M10, M12, M13, M15, M16)	
121	20190413	BURNER BRACKET 5B (M14, M17)	
121	0121F00145	BURNER BRACKET 6B (M18, M19)	
131	10123532	MANUAL RESET LIMIT 350°F	
141	20484401W	FLUE ELBOW LEFT	
141	20484402W	FLUE ELBOW RIGHT	
151	11072201	ORIFICE SHIELD (M1, M3, M5)	
151	11072202	ORIFICE SHIELD (M2, M4, M6, M9, M11)	
151	11072203	ORIFICE SHIELD (M7, M8, M10, M12, M13, M15, M16)	
151	11072204	ORIFICE SHIELD (M14, M17)	
151	11072205	ORIFICE SHIELD (M18, M19)	
161	10716003	ORIFICE (QTY AR)	

Expanded Model Nomenclature

M1 - GPG1324045M41AB
M2 - GPG1324070M41AB
M3 - GPG1330045M41AB
M4 - GPG1330070M41AB
M5 - GPG1336045M41AB
M6 - GPG1336070M41AB
M7 - GPG1336090M41AB
M8 - GPG1336090M43AB
M9 - GPG1342070M41AB
M10 - GPG1342090M41AB
M11 - GPG1348070M41AB
M12 - GPG1348090M41AB
M13 - GPG1348090M43AB
M14 - GPG1348115M41AB
M15 - GPG1360090M41AB
M16 - GPG1360090M43AB
M17 - GPG1360115M41AB
M18 - GPG1360140M41AB
M19 - GPG1360140M43AB

Control Panel



Control Panel

Ref. Part

No: No:

Description:

Ref. Part

No: No:

Description:

Image 1:

11	B1141643	TRANSFORMER 208/230, 24V
21	CONT2P025024VS	CONTACTOR 25 AMP, 2P, 24V (M1, M2, M3, M4, M5, M6, M7)
21	CONT3P025024VS	CONTACTOR 25 AMP, 3P, 24V (M8, M13, M16, M19)
21	CONT2P030024VS	CONTACTOR 30 AMP, 2P, 24V (M9, M10, M11, M12, M14, M15, M17, M18)
41	PCBAG123S	IGNITION BOARD, DSI INTEGRATED
51	CAP050350440RSS	CAPACITOR 5/35/440V (M1, M2, M3, M4)
51	CAP050000370VAS	CAPACITOR 5/370V (M8, M13, M16, M19)
51	CAP050450440RTS	CAPACITOR 5/45/440V (M5, M6, M7, M9, M10, M11, M12, M14)
51	CAP050700440RTS	CAPACITOR 5/70/440V (M15, M17, M18)
61	20520901	CAPACITOR STRAP
71	10728342	LIMIT SWITCH (M1, M2, M3, M4)
71	10728343	LIMIT SWITCH (M5, M6, M7, M18, M19)
71	10728344	LIMIT SWITCH (M8, M9, M10, M11, M12, M13, M14, M15, M16, M17)
101	0130M00025S	24V RELAY (M11, M12, M13, M14, M15, M16, M17, M18, M19)
NS	0259G00091	ASSY, FEMALE PLUG
NS	0259G00009	BLOWER HARNESS (M1, M2, M3, M4, M5, M6, M7, M8, M9, M10)
NS	0259G00011	BLOWER HARNESS (M13, M16, M19)
NS	0259G00023	BLOWER HARNESS (M11, M12, M14, M15, M17, M18)
NS	0259G00080	HARNESS-CONTROL (M1, M2)
NS	0259G00081	HARNESS-CONTROL (M9, M10)
NS	0259G00083	HARNESS-CONTROL (M11, M12, M14)
NS	0259G00084	HARNESS-CONTROL (M15, M17, M18)
NS	0259G00085	HARNESS-CONTROL (M3, M4)
NS	0259G00086	HARNESS-CONTROL (M5, M6, M7)
NS	0259G00086	HARNESS-CONTROL (M8)
NS	0259G00087	HARNESS-CONTROL (M13, M16, M19)
NS	0259G00090	PLUG ASSY, 12 PIN MALE (M8, M9, M10, M11, M12, M13, M14, M15, M16, M17, M18, M19)
NS	0259G00093	PLUG ASSY, 12 PIN MALE (M1, M2, M3, M4, M5, M6, M7)

Expanded Model Nomenclature

M1 - GPG1324045M41AB
M2 - GPG1324070M41AB
M3 - GPG1330045M41AB
M4 - GPG1330070M41AB
M5 - GPG1336045M41AB
M6 - GPG1336070M41AB
M7 - GPG1336090M41AB
M8 - GPG1336090M43AB
M9 - GPG1342070M41AB
M10 - GPG1342090M41AB
M11 - GPG1348070M41AB
M12 - GPG1348090M41AB
M13 - GPG1348090M43AB
M14 - GPG1348115M41AB
M15 - GPG1360090M41AB
M16 - GPG1360090M43AB
M17 - GPG1360115M41AB
M18 - GPG1360140M41AB
M19 - GPG1360140M43AB

THIS PAGE INTENTIONALLY LEFT BLANK