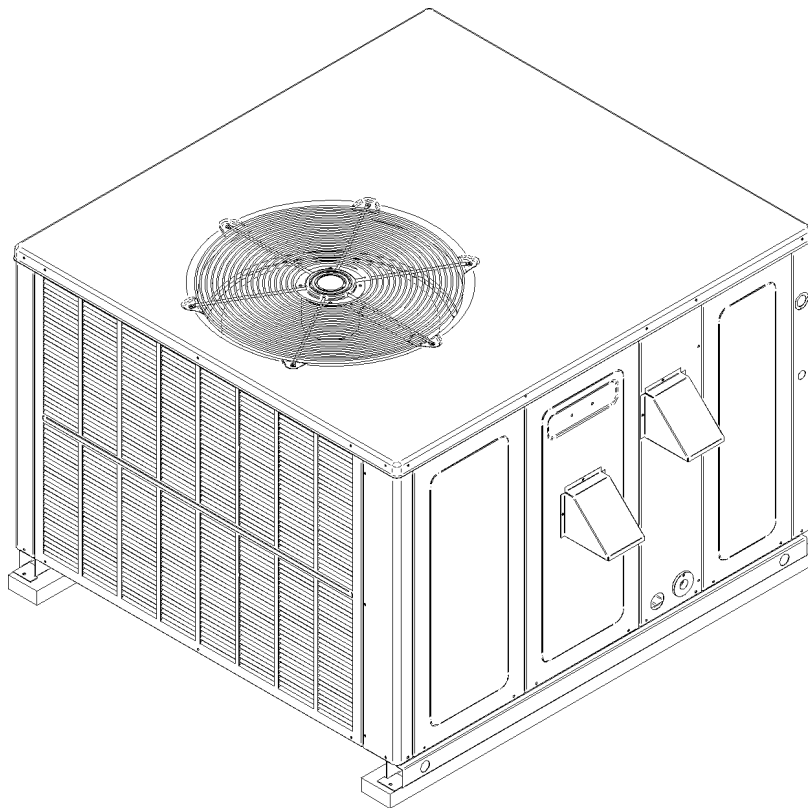


REPAIR PARTS

GPG 13 SEER Three Phase Package Gas Parts Catalog

GPG13360903AA
GPG13360904AA
GPG13480903AA
GPG13480903AB
GPG13480904AA
GPG13600903AA
GPG13600903AB
GPG13600904AA
GPG13601403AA
GPG13601403AB
GPG13601404AA



This manual is to be used by qualified technicians only.

This manual replaces RP-389B

© 2006-2007, 2010 Goodman Manufacturing Company, L.P. ♦ 5151 San Felipe, Suite 500 ♦ Houston, TX 77056

Important Information

Index

| | |
|------------------------------|--------|
| Functional Parts List | 3 |
| Illustration and Parts | 4 - 15 |

Views shown are for parts illustrations only, not servicing procedures.

Rev. C: Replaced 0150M00011S fan blade with 0150G00003S fan blade.

Text Codes:

AR - As Required

NA - Not Available

NS - Not Shown

00000000 - See Note

QTY - Quantity Example (QTY 3) (If Quantity not shown, Quantity = 1)

M - Model Example (M1) (If M Code not shown, then part is used on all Models)

Expanded Model Nomenclature:

| |
|---|
| Example M1 - Model#1 M2 - Model#2 M3 - Model#3 |
|---|

Goodman Manufacturing Company, L.P. is not responsible for personal injury or property damage resulting from improper service. Review all service information before beginning repairs.

Warranty service must be performed by an authorized technician, using authorized factory parts. If service is required after the warranty expires, Goodman Manufacturing Company, L.P. also recommends contacting an authorized technician and using authorized factory parts.

Goodman Manufacturing Company, L.P. reserves the right to discontinue, or change at any time, specifications or designs without notice or without incurring obligations.

For assistance within the U.S.A. contact:
Consumer Affairs Department
Goodman Manufacturing Company, L.P.
7401 Security Way
Houston, Texas 77040
877-254-4729-Telephone
713-863-2382-Facsimile

For assistance outside the U.S.A. contact:
International Division
Goodman Manufacturing Company, L.P.
7401 Security Way
Houston, Texas 77040
713-861-2500-Telephone
713-863-2382-Facsimile

Functional Parts

Part

No: Description:

| Part No: | Description: | Part No: | Description: |
|-----------------|---|--------------|---|
| 0259G00045 | 12-PIN MALE PLUG ASSY | 4305006 | HEAT EXCHANGER ASSY 6B LRG (M9, M10) |
| B1370751 | 24V RELAY (M3, M4, M6, M7, M9, M10) | 4305019 | HEAT EXCHANGER ASSY 6C LRG (M11) |
| 0130M00025S | 24V RELAY (M2, M5, M8, M11) | 0131G00000PS | ID BLOWER (M1, M3, M4, M6, M7, M9, M10) |
| 20269903 | AUXILIARY LIMIT, AUTO RESET (M1, M2, M3, M4, M6, M7, M9, M10) | B4359000 | ID BLOWER (M2, M5, M8, M11) |
| 10735102S | BECKETT BURNER (QTY AR) | PCBAG123S | IGNITION BOARD, DSI INTEGRATED |
| 0259G00011 | BLOWER HARNESS (M3, M4, M5, M6, M7, M8, M9, M10, M11) | 0130F00014S | IGNITOR |
| 0259G00009 | BLOWER HARNESS (M1) | 10728343 | MAIN LIMIT SWITCH 160° (M9, M10, M11) |
| 0231K00040 | BLOWER MOTOR 1 HP PROGRAMMED X13 (M6, M7, M9, M10, M11) | 10728344 | MAIN LIMIT SWITCH 170° (M1, M2, M3, M4, M5, M6, M7, M8) |
| B13400315S | BLOWER MOTOR 1/3 HP, 2 SP, 460V (M2) | 20493105 | MANIFOLD - 4 BRNR (M1, M2, M3, M4, M5, M6, M7, M8) |
| 11091203S | BLOWER MOTOR 1/3 HP, 3 SP, 6 PL (M1) | 20493107 | MANIFOLD - 6 BRNR (M9, M10, M11) |
| 0231K00041 | BLOWER MOTOR 3/4 HP PROGRAMMED X13 (M3, M4, M5) | 10123529 | MANUAL RESET LIMIT |
| CAP100000370VAS | CAPACITOR 10/370V [BLOWER] (M1) | 10716003 | ORIFICE (QTY AR) |
| CAP050000370VAS | CAPACITOR 5/370V | 11112501S | PRESSURE SWITCH |
| CAP075000370VAS | CAPACITOR 7.5/370V (M2) | B1219225 | SINGLE-FLOW FILTER DRIER, STEEL |
| ZR30K3TF5930 | COMPRESSOR 31100, 200/230/60/3 (M1) | 0130M00012 | TRANSFORMER (M5, M8, M11) |
| ZR30K3TFD930 | COMPRESSOR 31100, 460/60/3 (M2) | B1141643 | TRANSFORMER 208/230, 24V (M1, M3, M4, M6, M7, M9, M10) |
| ZR40K3TF5930 | COMPRESSOR 40600, 208/230/60/3 (M3, M4) | B1141653 | TRANSFORMER 480V, 75VA, RESETTABLE (M2, M5, M8, M11) |
| ZR40K3TFD930 | COMPRESSOR 40600, 460/60/3 (M5) | 1262529 | TUBING ASSY, COND COIL (M3, M4, M5) |
| ZR52K3TF5930 | COMPRESSOR 52000, 200/230/60/3 (M6, M7, M9, M10) | 0201G00063S | TUBING ASSY, COND COIL (M6, M7, M8, M9, M10, M11) |
| ZR52K3TFD930 | COMPRESSOR 52000, 460/60/3 (M8, M11) | 1262527 | TUBING ASSY, COND COIL (M1, M2) |
| 0131M00008PS | COND MOTOR 1/3 HP, 1 SP, 6 PL (M3, M6, M9) | 4303017S | TUBING ASSY, EVAP COIL (M3, M4, M5) |
| B13400249S | COND MOTOR 1/3 HP, 460V (M5, M8, M11) | 4303018S | TUBING ASSY, EVAP COIL (M6, M7, M8, M9, M10, M11) |
| 0131M00007PS | COND MOTOR 1/4 HP, 1 SP, 6 PL (M1, M4, M7, M10) | 0202G00086PS | TUBING ASSY, EVAP COIL (M1, M2)3 |
| B13400269S | COND MOTOR 380/460 50/60 CYCLE (M2) | | |
| CONT3P025024VS | CONTACTOR 25 AMP, 3P, 24V | | |
| 0259G00048 | CONTROL HARNESS (M3, M4, M6, M7, M9, M10) | | |
| 0259G00050 | CONTROL HARNESS (M1) | | |
| 0259G00042 | CONTROL HARNESS (M5, M8, M11) | | |
| B3232219 | EXPANSION VALVE (M6, M7, M8, M9, M10, M11) | | |
| 4368403 | FEMALE PLUG ASSY | | |
| 0130F00010 | FLAME SENSOR | | |
| 0162M00023P | FLOWRATOR .071 (M1, M2) | | |
| B1314800 | FLOWRATOR [EVAP] (M3, M4, M5, M6, M7, M8, M9, M10, M11) | | |
| B1282628 | GAS VALVE (36G) | | |
| 0257G00000 | HEAT EXCHANGER ASSY (M2, M5, M8) | | |
| 4305011 | HEAT EXCHANGER ASSY 4B (LRG-12) (M1, M3, M4, M6, M7) | | |

Functional Parts

Part

No: Description:

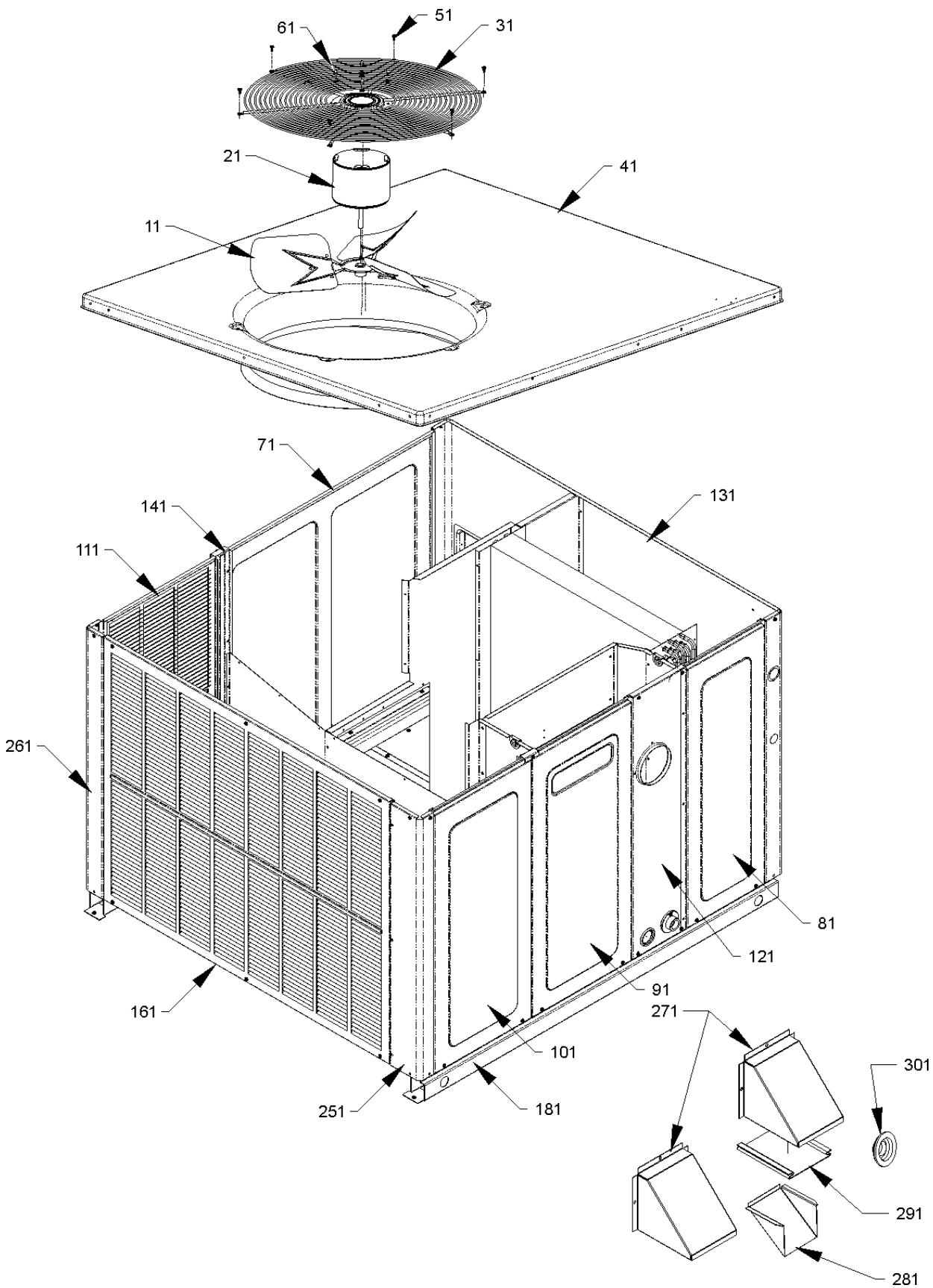
SPECIAL PARTS

| | |
|-----------|--|
| B10259251 | GOODMAN LABEL |
| IO-288A | INSTALLATION INSTRUCTIONS |
| IO-653C | INSTRUCTIONS, COMBUSTION AIR INTAKE HOOD |
| RP-389C | REPAIR PARTS MANUAL |
| IO-604 | SPECIAL INSTRUCTIONS, 36G VALVE |
| HI-116 | USERS MANUAL |

Expanded Model Nomenclature

| |
|---------------------|
| M1 - GPG13360903AA |
| M2 - GPG13360904AA |
| M3 - GPG13480903AA |
| M4 - GPG13480903AB |
| M5 - GPG13480904AA |
| M6 - GPG13600903AA |
| M7 - GPG13600903AB |
| M8 - GPG13600904AA |
| M9 - GPG13601403AA |
| M10 - GPG13601403AB |
| M11 - GPG13601404AA |

Top Panel / Fan / Cabinet



Top Panel / Fan / Cabinet

| Ref. Part No: | Ref. Part No: | Description: | Description: |
|---------------|---------------|--------------|--------------|
|---------------|---------------|--------------|--------------|

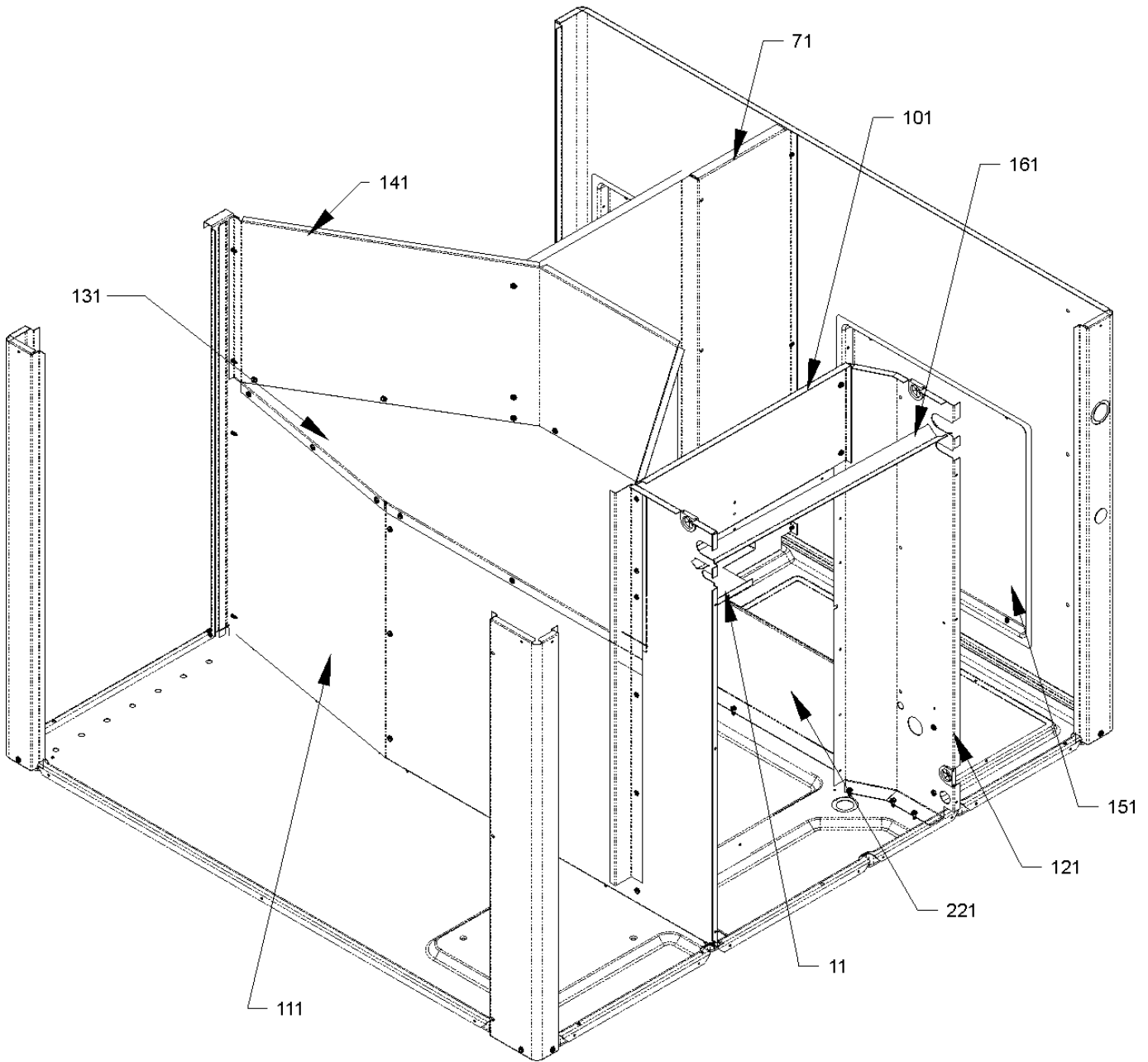
Image 1:

| | | |
|-----|---------------|---|
| 11 | B1086750S | FAN BLADE 22", 3 BLADE, 24° (M1, M2) |
| 11 | 0150G00003S | FAN BLADE SWEEP-WING (M3, M4, M5, M6, M7, M8, M9, M10, M11) |
| 21 | 0131M00008PS | COND MOTOR 1/3 HP, 1 SP, 6 PL (M3, M6, M9) |
| 21 | B13400249S | COND MOTOR 1/3 HP, 460V (M5, M8, M11) |
| 21 | 0131M00007PS | COND MOTOR 1/4 HP, 1 SP, 6 PL (M1, M4, M7, M10) |
| 21 | B13400269S | COND MOTOR 380/460 50/60 CYCLE (M2) |
| 31 | B1376923 | FAN GRILLE GUARD, LRG |
| 41 | 20466001PDGS | TOP PANEL |
| 51 | 0163M00003P | SCREW #10 X 1/2, A, SLOT, SR, BLACK (QTY 6) |
| 61 | 0163M00006P | ACORN NUT 5/16 HEX BLACK (QTY 4) |
| 71 | 20464806PDG | BLOWER DOOR 40" |
| 81 | 20464807PDGS | EVAP/CONTROL DOOR 40" |
| 91 | 0121G00181DGS | HEAT EXCHANGER DOOR 40" |
| 101 | 20464809PDG | COMPRESSOR DOOR 40" |
| 111 | 20467702PDG | LOUVERED PANEL, CONDENSER SIDE 40" |
| 121 | 20466102PDGS | UTILITY PANEL 40" |
| 131 | 0121G00240DG | DUCT PANEL 40" |
| 141 | 0121G00209 | SUPPORT POST 40" |
| 161 | 20464402PDG | LOUVERED PANEL, COND SIDE 40" |
| 181 | 0121G00195 | BASEPAN RAIL (QTY 2) |
| 251 | 20464202PDGS | CORNER POST-COMP END 40" |
| 261 | 20464302PDGS | CORNER POST-HAIRPIN END 40" |
| 271 | 20465601PDG | FLUE HOOD (QTY 2) |
| 281 | 0121G00190 | FLUE HOOD-LOWER |
| 291 | 20472601 | FLUE HOOD SCREEN |
| 301 | B1910012 | GAS LINE GROMMET |
| NS | 0270G00070S | FLUE HOOD ASSY |
| NS | B10259251 | GOODMAN LABEL |
| NS | 17788000083F | PVC CONDUIT 8.25" |

Expanded Model Nomenclature

| |
|---------------------|
| M1 - GPG13360903AA |
| M2 - GPG13360904AA |
| M3 - GPG13480903AA |
| M4 - GPG13480903AB |
| M5 - GPG13480904AA |
| M6 - GPG13600903AA |
| M7 - GPG13600903AB |
| M8 - GPG13600904AA |
| M9 - GPG13601403AA |
| M10 - GPG13601403AB |
| M11 - GPG13601404AA |

Partition Panels



Partition Panels

| Ref. Part No: | No: | Description: | Ref. Part No: | No: | Description: |
|---------------|-----|--------------|---------------|-----|--------------|
|---------------|-----|--------------|---------------|-----|--------------|

Image 1:

| | | |
|-----|--------------|--|
| 11 | 20472501 | SHIELD, HEAT EXCHANGER TUBES |
| 71 | 20465306 | BLOWER DIVIDER (M1, M2) |
| 71 | 0121G00177 | BLOWER DIVIDER 38" (M5, M8, M11) |
| 71 | 20465302 | BLOWER DIVIDER 38" (M3, M4, M6, M7, M9, M10) |
| 101 | 20465202 | FILLER PANEL, HEAT EXCHANGER 40" |
| 111 | 0121G00199 | PARTITION PANEL 40" |
| 121 | 20465502 | EVAP/HEAT EXCHANGER DIVIDER 38" |
| 131 | 20465701 | FAN PARTITION SHELF |
| 141 | 20465802 | FAN SURROUND 40" |
| 151 | 20464502PDGS | BACK DUCT COVER 40" (QTY 2) |
| 161 | 20496801 | DRAIN CHANNEL, SUCTION TUBE |
| 221 | 20463801 | EVAP/BASEPAN BLOCK 40" |

Expanded Model Nomenclature

- M1 - GPG13360903AA
- M2 - GPG13360904AA
- M3 - GPG13480903AA
- M4 - GPG13480903AB
- M5 - GPG13480904AA
- M6 - GPG13600903AA
- M7 - GPG13600903AB
- M8 - GPG13600904AA
- M9 - GPG13601403AA
- M10 - GPG13601403AB
- M11 - GPG13601404AA

Blower Assembly

Image 1

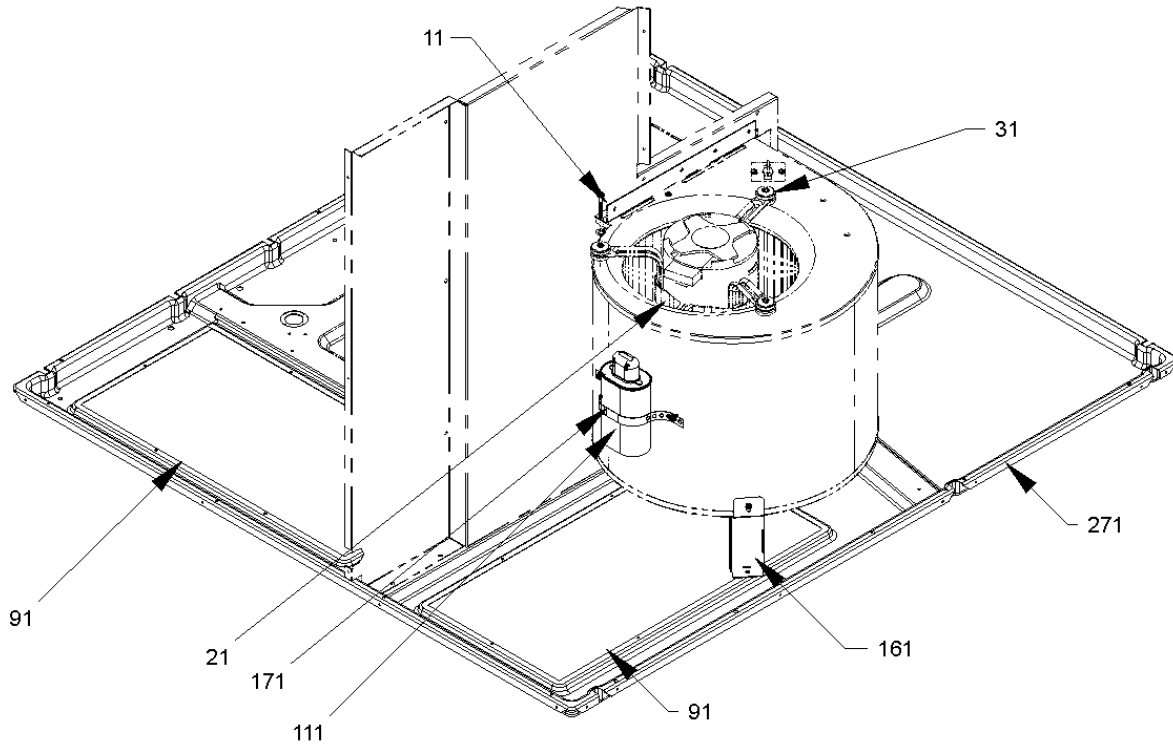


Image 2

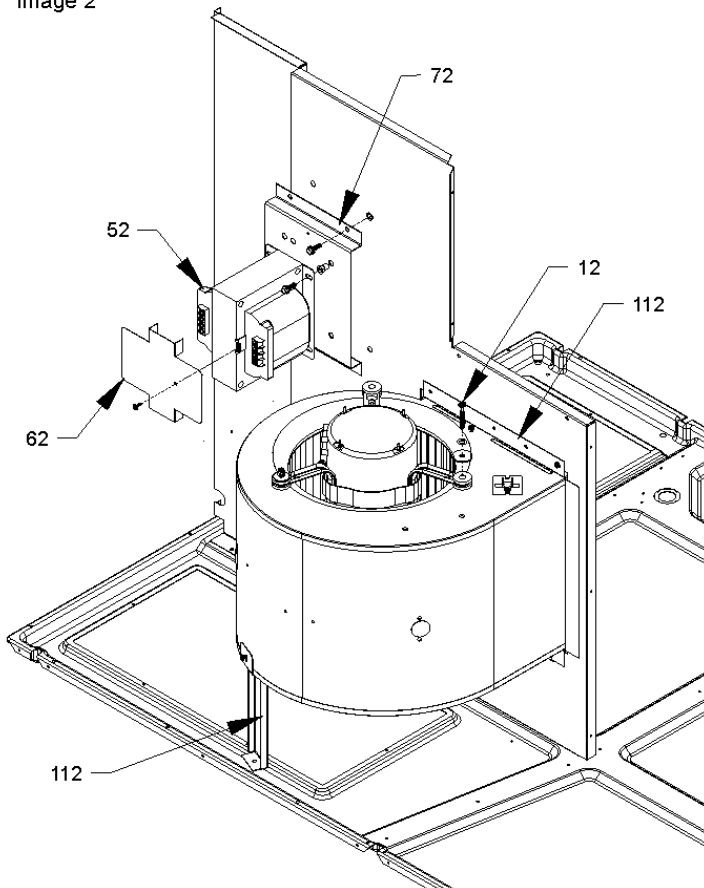
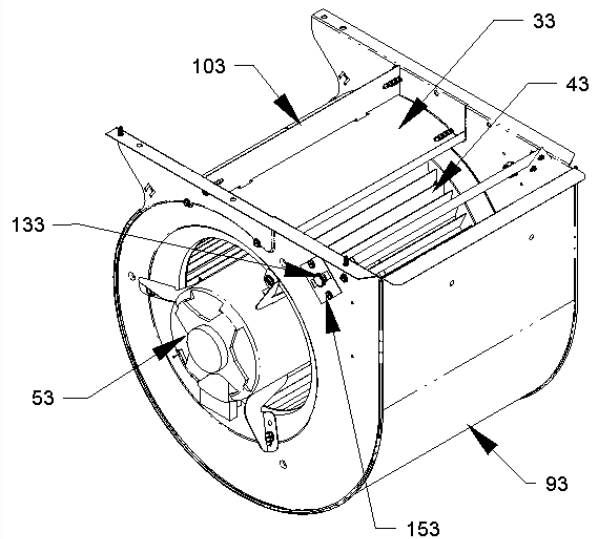


Image 3



Blower Assembly

**Ref. Part
No: No:**

Description:

**Ref. Part
No: No:**

Description:

Image 1:

| | | |
|-----|-----------------|---|
| 11 | M0250558 | TC SCREW (M1, M2) |
| 11 | M0250565 | TC SCREW 1.25" (M3, M4, M6, M7, M9, M10) |
| 21 | 0121M00038 | MOTOR MOUNT BAND (M3, M4, M6, M7, M9, M10) |
| 31 | B1376857 | MOTOR MOUNT ARM (M3, M4, M6, M7, M9, M10) |
| 91 | 0121G00148 | SINGLE COVER, DOWN DISCHARGE (QTY 2) |
| 111 | CAP100000370VAS | CAPACITOR 10/370V [BLOWER] (M1) |
| 111 | CAP075000370VAS | CAPACITOR 7.5/370V (M2) |
| 161 | 4322801 | 11 X 10 BLOWER SUPPORT LRG (M3, M4, M5, M6, M7, M8, M9, M10, M11) |
| 171 | 20520901 | CAPACITOR STRAP (M1, M2) |
| 271 | 0121G00222 | BASEPAN |
| NS | B821700 | CAPACITOR BOOT (M1, M2) |
| NS | B1393800 | LOCKNUT, NYLON, INSERT 1/4, 20 (M3, M4, M6, M7, M9, M10) |
| NS | B1393323 | MACHINE SCREW HWH 1/4-20 X 1-1/2 BZ (M3, M4, M6, M7, M9, M10) |

Expanded Model Nomenclature

| |
|---------------------|
| M1 - GPG13360903AA |
| M2 - GPG13360904AA |
| M3 - GPG13480903AA |
| M4 - GPG13480903AB |
| M5 - GPG13480904AA |
| M6 - GPG13600903AA |
| M7 - GPG13600903AB |
| M8 - GPG13600904AA |
| M9 - GPG13601403AA |
| M10 - GPG13601403AB |
| M11 - GPG13601404AA |

Image 2:

| | | |
|-----|------------|---|
| 12 | B1393530 | SCREW HWH, 10 X 1/2, A, YZD, SLOT, SR (M5, M8, M11) |
| 52 | 0130M00012 | TRANSFORMER (M5, M8, M11) |
| 62 | 0121G00189 | TRANSFORMER COVER (M5, M8, M11) |
| 72 | 0121G00175 | TRANSFORMER SUPPORT (M5, M8, M11) |
| 112 | 20463701 | 11 X 10 BLOWER MOUNTING (M3, M4, M6, M7, M9, M10) |
| NS | B1392143 | GROMMET, 26TAL F/TORSIN FLEX (M1, M2) |

Image 3:

| | | |
|-----|-------------|---|
| 33 | 764741F | BLOWER BLOCK-OFF 10 X 10 (M1, M2) |
| 43 | D6723306S | BLOWER WHEEL (M1) |
| 43 | B1368047A | BLOWER WHEEL 10 X 10 (M2) |
| 43 | B1368000S | BLOWER WHEEL 11 X 10 (M3, M4, M6, M7, M9, M10) |
| 53 | 0231K00040 | BLOWER MOTOR 1 HP PROGRAMMED X13 (M6, M7, M9, M10, M11) |
| 53 | B13400315S | BLOWER MOTOR 1/3 HP, 2 SP, 460V (M2) |
| 53 | 11091203S | BLOWER MOTOR 1/3 HP, 3 SP, 6 PL (M1) |
| 53 | 0231K00041 | BLOWER MOTOR 3/4 HP PROGRAMMED X13 (M3, M4, M5) |
| 93 | 0271F00004P | BLOWER HOUSING ASSY 10 X 10 (M2) |
| 93 | 0271F00057 | BLOWER HOUSING ASSY 10 X 10 (M1) |
| 93 | 2539309S | BLOWER HOUSING ASSY 11 X 10 (M3, M4, M6, M7, M9, M10) |
| 103 | 1864700F | BELT DRIVE BLOWER CUT-OFF (M3, M4, M6, M7, M9, M10) |
| 133 | 20269903 | AUXILIARY LIMIT, AUTO RESET (M1, M2, M3, M4, M6, M7, M9, M10) |
| 153 | 2509503F | AUXILIARY LIMIT BRACKET (M1, M2, M3, M4, M6, M7, M9, M10) |

Compressor / Tubing Assembly

Image 1

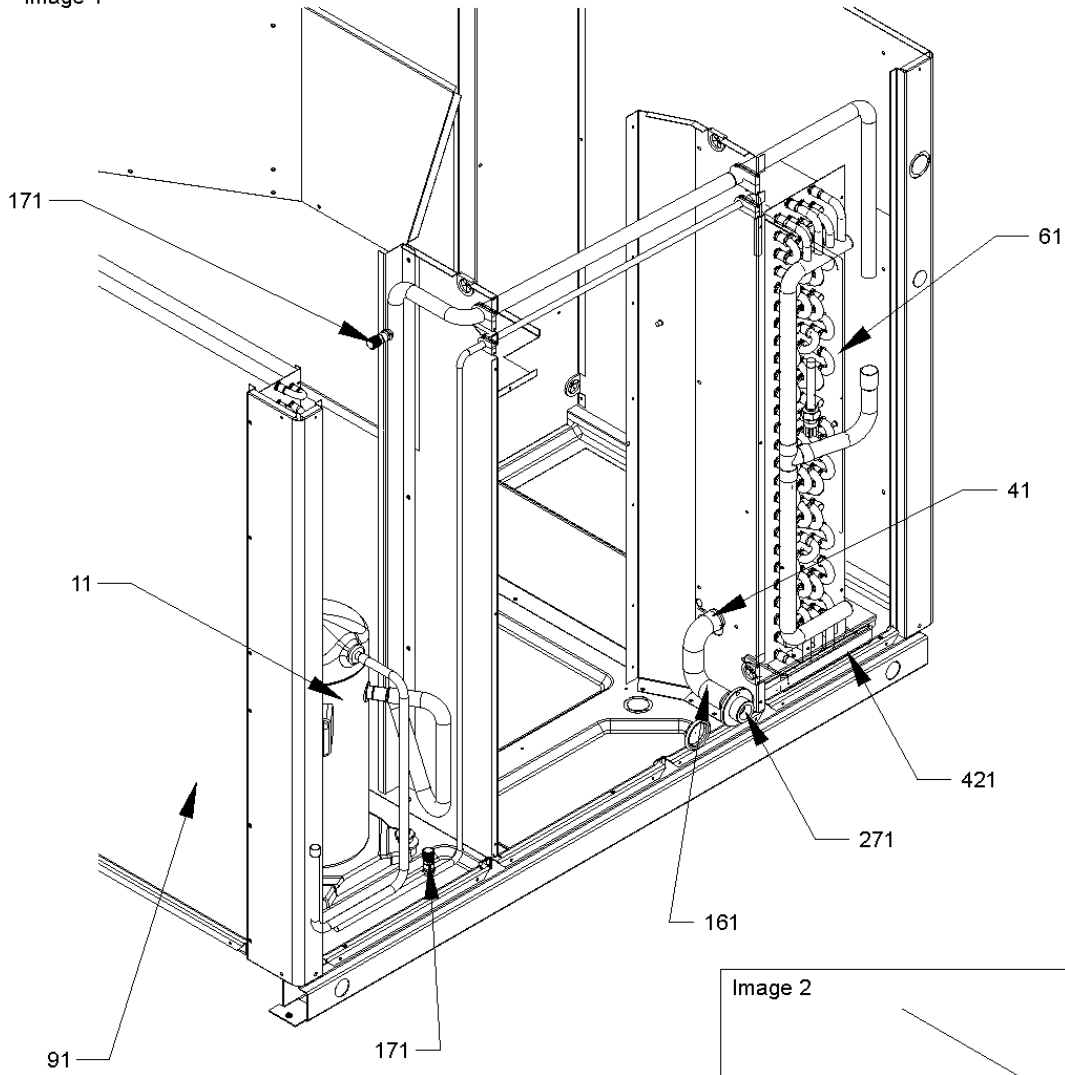
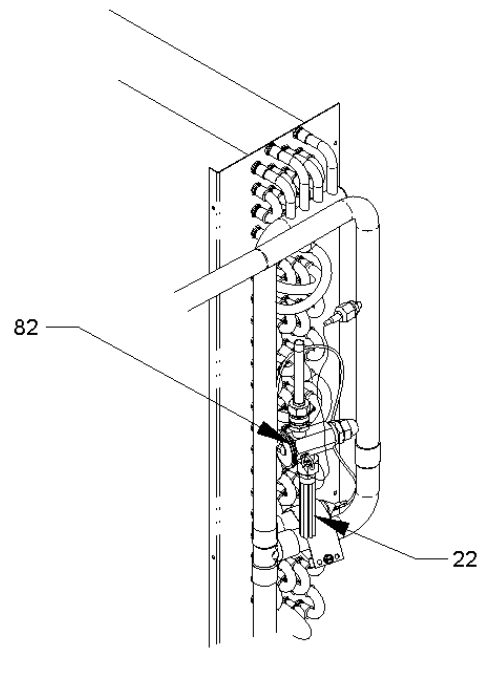


Image 2



Compressor / Tubing Assembly

| Ref. Part No: No: | Description: | Ref. Part No: No: | Description: |
|-------------------|--------------|-------------------|--------------|
|-------------------|--------------|-------------------|--------------|

Image 1:

| | | |
|-----|--------------|---|
| 11 | ZR30K3TF5930 | COMPRESSOR 31100, 200/230/60/3 (M1) |
| 11 | ZR30K3TFD930 | COMPRESSOR 31100, 460/60/3 (M2) |
| 11 | ZR40K3TF5930 | COMPRESSOR 40600, 208/230/60/3 (M3, M4) |
| 11 | ZR40K3TFD930 | COMPRESSOR 40600, 460/60/3 (M5) |
| 11 | ZR52K3TF5930 | COMPRESSOR 52000, 200/230/60/3 (M6, M7, M9, M10) |
| 11 | ZR52K3TFD930 | COMPRESSOR 52000, 460/60/3 (M8, M11) |
| 41 | B1810011 | HOSE CLAMP 1.25 (QTY 2) |
| 61 | 0202G00086PS | TUBING ASSY, EVAP COIL (M1, M2) |
| 61 | 4303017S | TUBING ASSY, EVAP COIL (M3, M4, M5) |
| 61 | 4303018S | TUBING ASSY, EVAP COIL (M6, M7, M8, M9, M10, M11) |
| 91 | 0201G00063S | TUBING ASSY, COND COIL (M6, M7, M8, M9, M10, M11) |
| 91 | 1262527 | TUBING ASSY, COND COIL (M1, M2) |
| 91 | 1262529 | TUBING ASSY, COND COIL (M3, M4, M5) |
| 161 | 20498301 | DRAIN TUBE 40" |
| 171 | B9102097 | CAP W/O-RING (QTY 2) |
| 271 | 20513001 | EVAP DRAIN FITTING |
| 421 | 20464901 | DRIP PAN, EVAP COIL |
| 421 | 4322800 | EVAP DRIP SHIELD |
| NS | B1339533 | COMPRESSOR GROMMET (QTY 4) |
| NS | B1219225 | SINGLE-FLOW FILTER DRIER, STEEL |
| NS | M0221641 | TF SHOULDER SCREW (QTY 4) |

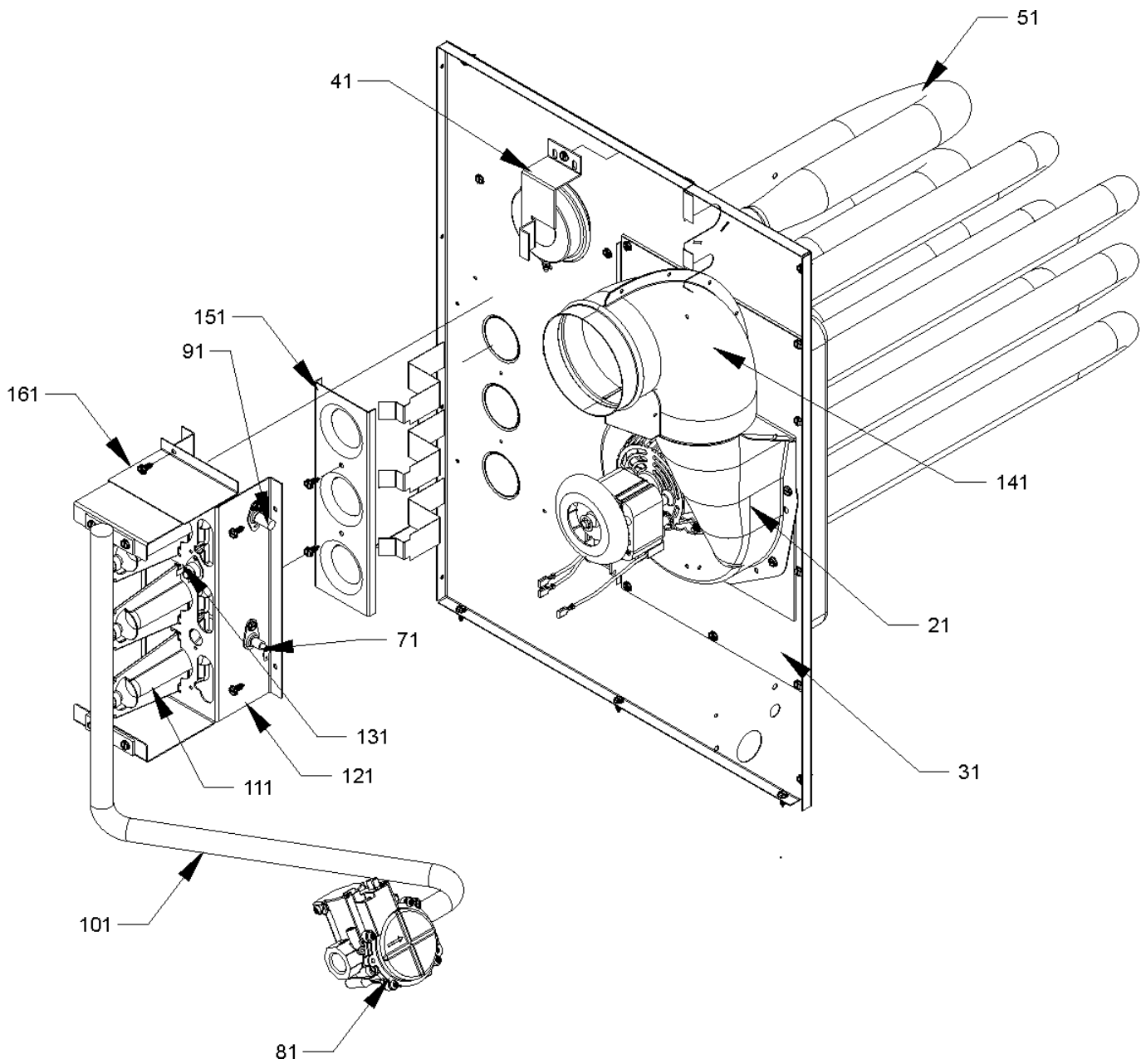
Image 2:

| | | |
|----|-------------|---|
| 22 | 0162M00023P | FLOWRATOR .071 (M1, M2) |
| 22 | B1314800 | FLOWRATOR [EVAP] (M3, M4, M5, M6, M7, M8, M9, M10, M11) |
| 82 | B3232219 | EXPANSION VALVE (M6, M7, M8, M9, M10, M11) |

Expanded Model Nomenclature

| |
|---------------------|
| M1 - GPG13360903AA |
| M2 - GPG13360904AA |
| M3 - GPG13480903AA |
| M4 - GPG13480903AB |
| M5 - GPG13480904AA |
| M6 - GPG13600903AA |
| M7 - GPG13600903AB |
| M8 - GPG13600904AA |
| M9 - GPG13601403AA |
| M10 - GPG13601403AB |
| M11 - GPG13601404AA |

Heat Exchanger / Manifold / Gas Valve



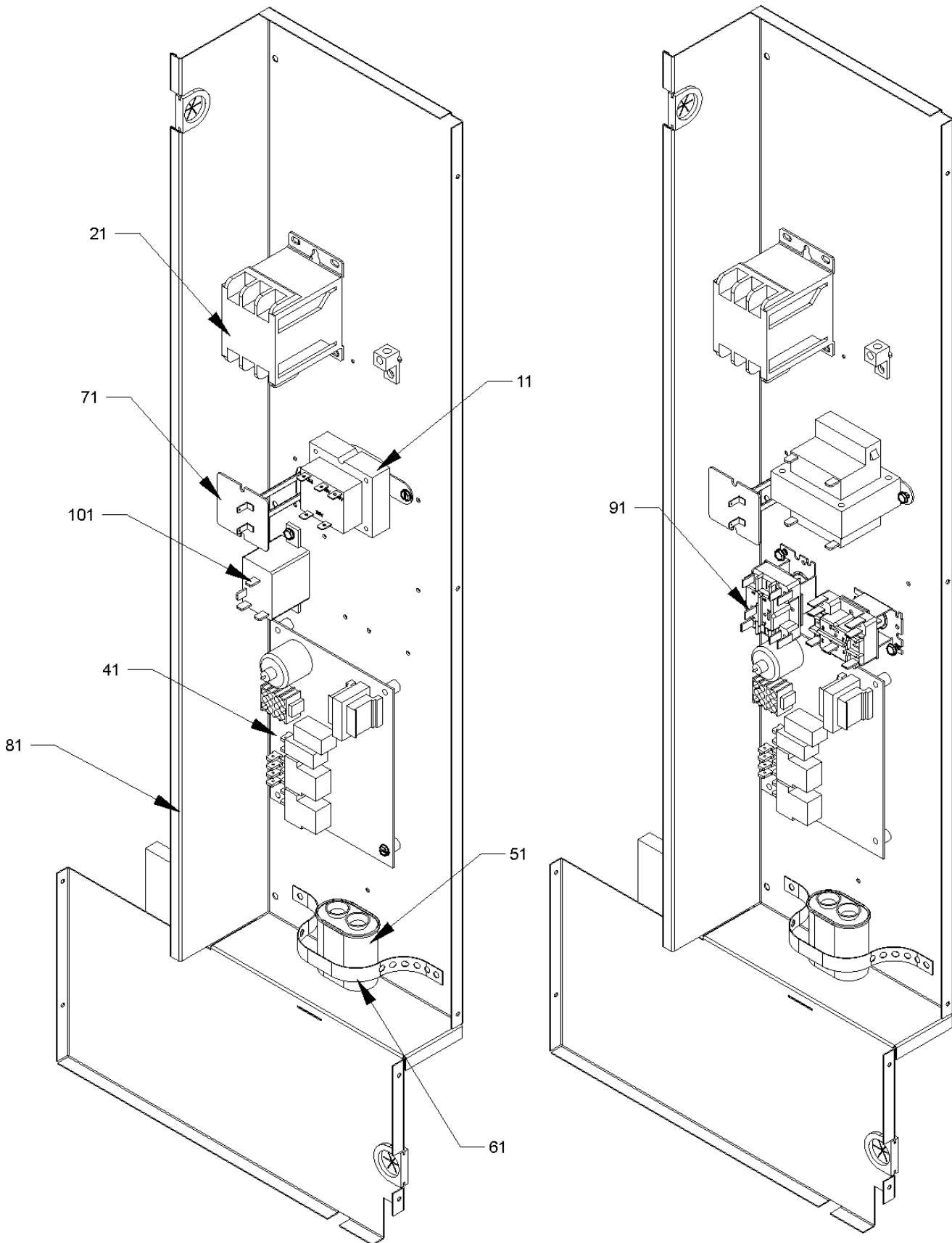
Heat Exchanger / Manifold / Gas Valve

| Ref. Part No: | No: | Description: | Ref. Part No: | No: | Description: |
|-----------------|--------------|---|---------------|-----|--------------|
| <i>Image 1:</i> | | | | | |
| 21 | 0131G00000PS | ID BLOWER (M1, M3, M4, M6, M7, M9, M10) | | | |
| 21 | B4359000 | ID BLOWER (M2, M5, M8, M11) | | | |
| 31 | 20463203 | ID BLOWER PLATE LRG (M9, M10, M11) | | | |
| 31 | 20463201 | ID BLOWER PLATE LRG 4 BRNR (M1, M2, M3, M4, M5, M6, M7, M8) | | | |
| 41 | 11112501S | PRESSURE SWITCH | | | |
| 51 | 0257G00000 | HEAT EXCHANGER ASSY (M2, M5, M8) | | | |
| 51 | 4305011 | HEAT EXCHANGER ASSY 4B (LRG-12) (M1, M3, M4, M6, M7) | | | |
| 51 | 4305006 | HEAT EXCHANGER ASSY 6B LRG (M9, M10) | | | |
| 51 | 4305019 | HEAT EXCHANGER ASSY 6C LRG (M11) | | | |
| 71 | 0130F00014S | IGNITOR | | | |
| 81 | B1282628 | GAS VALVE (36G) | | | |
| 91 | 0130F00010 | FLAME SENSOR | | | |
| 101 | 20493105 | MANIFOLD - 4 BRNR (M1, M2, M3, M4, M5, M6, M7, M8) | | | |
| 101 | 20493107 | MANIFOLD - 6 BRNR (M9, M10, M11) | | | |
| 111 | 10735102S | BECKETT BURNER (QTY AR) | | | |
| 121 | 20190412 | BURNER BRACKET 4B (M1, M2, M3, M4, M5, M6, M7, M8) | | | |
| 121 | 20190414 | BURNER BRACKET 6B (M9, M10, M11) | | | |
| 131 | 10123529 | MANUAL RESET LIMIT | | | |
| 141 | 20484401 | ELBOW-FLUE LEFT | | | |
| 141 | 20484402 | ELBOW-FLUE RIGHT | | | |
| 151 | 11072203 | ORIFICE SHIELD (M1, M2, M3, M4, M5, M6, M7, M8) | | | |
| 151 | 11072205 | ORIFICE SHIELD (M9, M10, M11) | | | |
| 161 | 11190202 | HEAT DEFLECTOR | | | |
| NS | 20463001 | ID BLOWER PLATE GASKET LRG | | | |
| NS | 10716003 | ORIFICE (QTY AR) | | | |
| NS | A3468601 | PRESSURE SWITCH HOSE | | | |

Expanded Model Nomenclature

| |
|---------------------|
| M1 - GPG13360903AA |
| M2 - GPG13360904AA |
| M3 - GPG13480903AA |
| M4 - GPG13480903AB |
| M5 - GPG13480904AA |
| M6 - GPG13600903AA |
| M7 - GPG13600903AB |
| M8 - GPG13600904AA |
| M9 - GPG13601403AA |
| M10 - GPG13601403AB |
| M11 - GPG13601404AA |

Control Panel



Control Panel

| Ref. Part No: | Ref. Part No: | Description: | Description: |
|---------------|---------------|--------------|--------------|
|---------------|---------------|--------------|--------------|

Image 1:

| | | |
|-----|-----------------|---|
| 11 | B1141643 | TRANSFORMER 208/230, 24V (M1, M3, M4, M6, M7, M9, M10) |
| 11 | B1141653 | TRANSFORMER 480V, 75VA, RESETTABLE (M2, M5, M8, M11) |
| 21 | CONT3P025024VS | CONTACTOR 25 AMP, 3P, 24V |
| 41 | PCBAG123S | IGNITION BOARD, DSI INTEGRATED |
| 51 | CAP050000370VAS | CAPACITOR 5/370V |
| 61 | 20520901 | CAPACITOR STRAP |
| 71 | 10728343 | MAIN LIMIT SWITCH 160° (M9, M10, M11) |
| 71 | 10728344 | MAIN LIMIT SWITCH 170° (M1, M2, M3, M4, M5, M6, M7, M8) |
| 81 | 20465102 | EVAP/CONTROL PANEL 38" |
| 91 | 0130M00025S | 24V RELAY (M2, M5, M8, M11) |
| 101 | B1370751 | 24V RELAY (M3, M4, M6, M7, M9, M10) |
| NS | 0259G00045 | 12-PIN MALE PLUG ASSY |
| NS | 0259G00009 | BLOWER HARNESS (M1) |
| NS | 0259G00011 | BLOWER HARNESS (M3, M4, M5, M6, M7, M8, M9, M10, M11) |
| NS | 0259G00042 | CONTROL HARNESS (M5, M8, M11) |
| NS | 0259G00048 | CONTROL HARNESS (M3, M4, M6, M7, M9, M10) |
| NS | 0259G00050 | CONTROL HARNESS (M1) |
| NS | 4368403 | FEMALE PLUG ASSY |

Expanded Model Nomenclature

| |
|---------------------|
| M1 - GPG13360903AA |
| M2 - GPG13360904AA |
| M3 - GPG13480903AA |
| M4 - GPG13480903AB |
| M5 - GPG13480904AA |
| M6 - GPG13600903AA |
| M7 - GPG13600903AB |
| M8 - GPG13600904AA |
| M9 - GPG13601403AA |
| M10 - GPG13601403AB |
| M11 - GPG13601404AA |