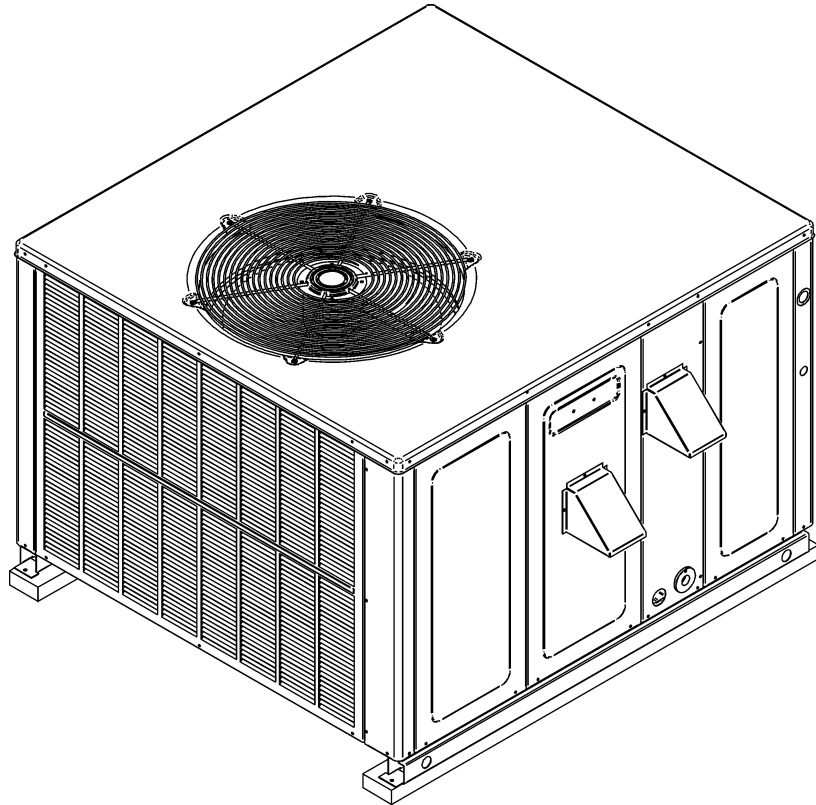


REPAIR PARTS

GPG13 Package Gas Units

GPG1324045M41AC
GPG1324070M41AC
GPG1330045M41AC
GPG1330070M41AC
GPG1336045M41AC
GPG1336070M41AC
GPG1336090M41AC
GPG1336090M43AC
GPG1342070M41AC
GPG1342090M41AC
GPG1348070M41AC
GPG1348090M41AC
GPG1348090M43AC
GPG1348115M41AC
GPG1360090M41AC
GPG1360090M43AC
GPG1360115M41AC
GPG1360140M41AC
GPG1360140M43AC



This manual is to be used by qualified technicians only.

© 2012 Goodman Company, L.P. ♦ 5151 San Felipe, Suite 500 ♦ Houston, TX 77056

Important Information

Index

Functional Parts List	3
Illustration and Parts	4 - 15

Views shown are for parts illustrations only, not servicing procedures

This system uses R410A refrigerant. If sealed system work is required, use approved equipment and follow service procedures. Refer to Service Manual or Installation Instructions for service procedures.

6-9-14: Added evap assy part number to the GPG1342**models.

Text Codes:

AR - As Required

NA - Not Available

NS - Not Shown

00000000 - See Note

QTY - Quantity Example (QTY 3) (If Quantity not shown, Quantity = 1)

M - Model Example (M1) (If M Code not shown, then part is used on all Models)

Expanded Model Nomenclature:

Example M1 - Model#1 M2 - Model#2 M3 - Model#3

Goodman Company, L.P. is not responsible for personal injury or property damage resulting from improper service. Review all service information before beginning repairs.

Warranty service must be performed by an authorized technician, using authorized factory parts. If service is required after the warranty expires, Goodman Company, L.P. also recommends contacting an authorized technician and using authorized factory parts.

Goodman Company, L.P. reserves the right to discontinue, or change at any time, specifications or designs without notice or without incurring obligations.

For assistance within the U.S.A. contact:

Consumer Affairs Department
Goodman Company, L.P.
7401 Security Way
Houston, Texas 77040
877-254-4729-Telephone
713-863-2382-Facsimile

For assistance outside the U.S.A. contact:

International Division
Goodman Company, L.P.
7401 Security Way
Houston, Texas 77040
713-861-2500-Telephone
713-863-2382-Facsimile

Functional Parts

Part

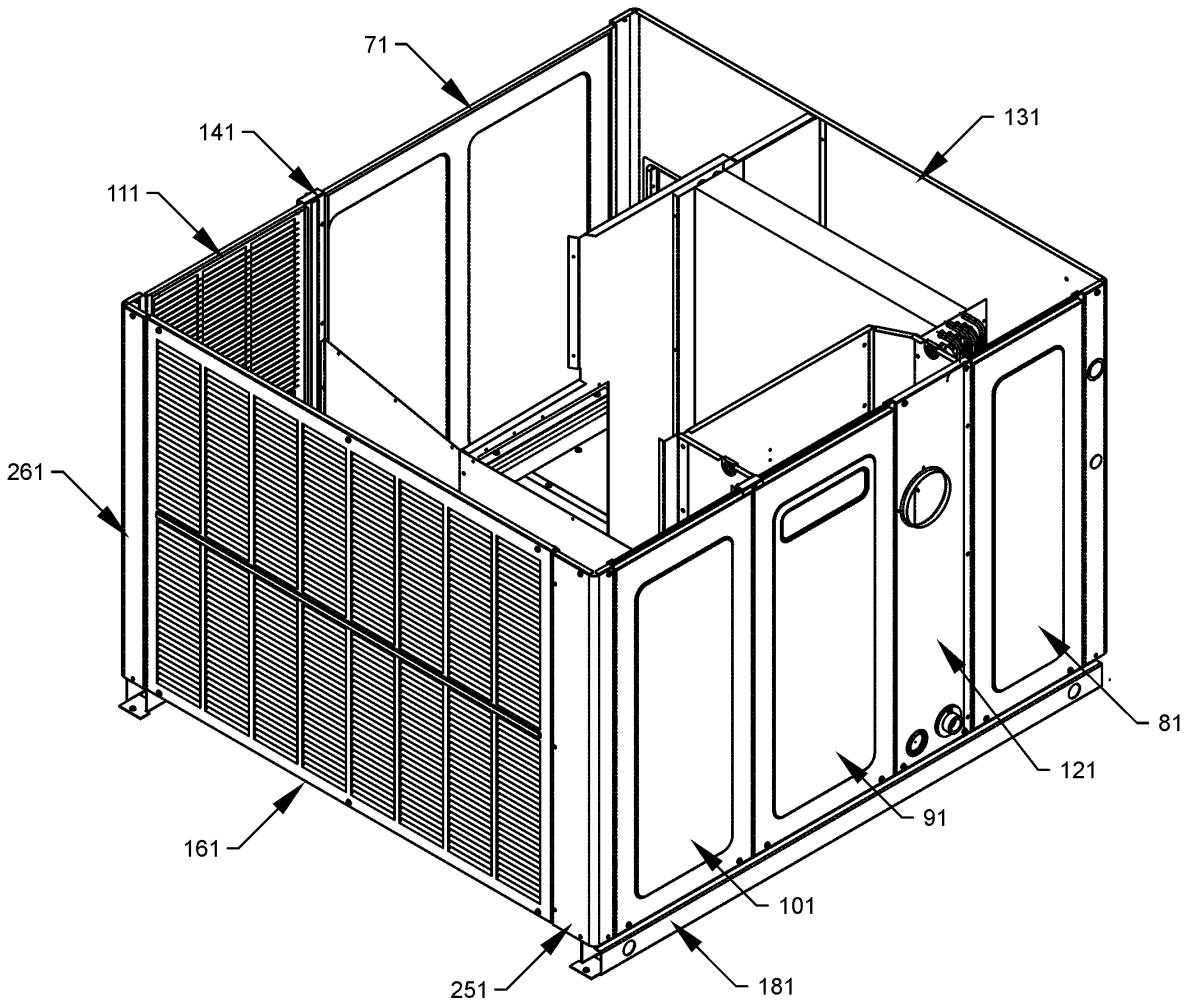
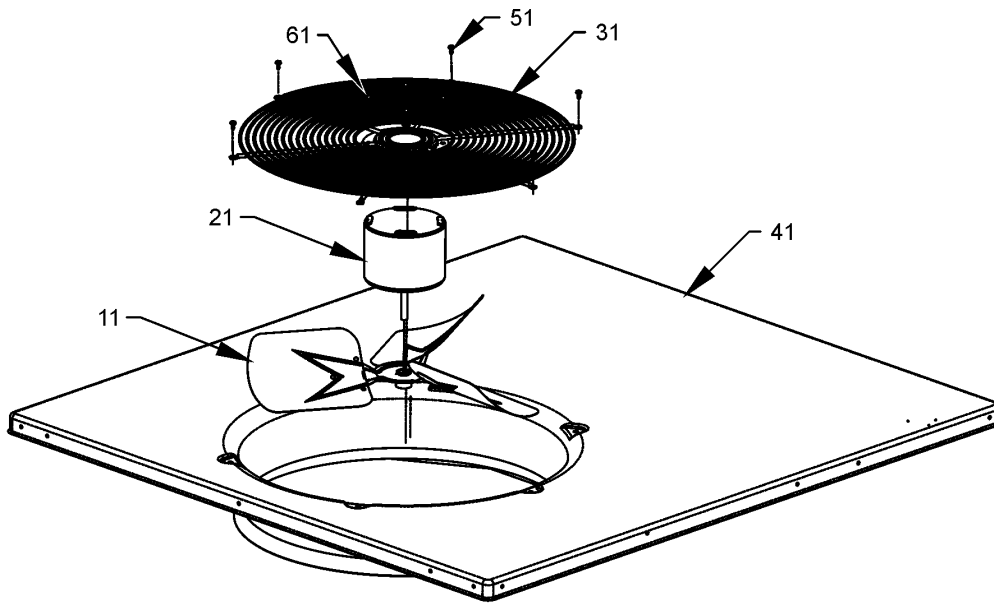
No: Description:

Part No:	Description:	Part No:	Description:
0130M00025	24V RELAY (M11, M12, M14, M15, M17, M18)	10716003	ORIFICE (QTY A/R)
20269903	AUXILIARY LIMIT, AUTO RESET (M1, M2)	11112501	PRESSURE SWITCH
10735102	BECKETT BURNER (QTY A/R)	B1141643	TRANSFORMER 208/230, 24V
11091203	BLOWER MOTOR 1/3 HP, 3 SP, 6 PL (M5, M6, M7, M8, M9, M10)	0151M00013	VALVE, GAS (HW)
11091202	BLOWER MOTOR 1/3 HP, 3 SP, 6 PL (M3, M4)		
11091207	BLOWER MOTOR 1/4 HP, 3 SP, 8 PL (M1, M2)		
D6723303	BLOWER WHEEL (M5, M6, M7)		
D6723306	BLOWER WHEEL (M8, M9, M10)		
B1368016	BLOWER WHEEL 10 X 8 (M3, M4)		
B1368058	BLOWER WHEEL 10 X 8 (M1, M2)		
B1368000	BLOWER WHEEL 11 X 10 (M11, M12, M13, M14, M15, M16, M17, M18, M19)		
CAP050700440RT	CAP,5/70 MFD/440V/DUAL RD (M15, M17, M18)		
CAP100000370VA	CAPACITOR 10/370V [BLOWER] (M1, M2, M3, M4, M5, M6, M7, M8, M9, M10)		
CAP100000370VA	CAPACITOR 10/370V [BLOWER] (M1, M2, M3, M4, M5, M6, M7, M8, M9, M10)		
CAP050350440RS	CAPACITOR 5/35/440V (M1, M2, M3, M4)		
CAP050000370VA	CAPACITOR 5/370V (M13, M16, M19)		
CAP050000370VA	CAPACITOR 5/370V (M8)		
CAP050450440RT	CAPACITOR 5/45/440V (M5, M6, M7, M9, M10, M11, M12, M14)		
ZP39K5ETF5130	COMP, 39000,200/230/60/3 (M13)		
ZP51K5ETF5130	COMP,51000,208/230/60/3 (M16, M19)		
ZP31K5EPFV130	COMPRESSOR 31100, 208/230/60/1 (M5, M6, M7)		
ZP31K5ETF5130	COMPRESSOR 31200, 200/230/60/3 (M8)		
ZP34K5EPFV130	COMPRESSOR 34500, 208/230/60/1 (M9, M10)		
ZP39K5EPFV130	COMPRESSOR 39000, 208/230/60/1 (M11, M12, M14)		
ZP51K5EPFV130	COMPRESSOR 51000, 208/230/60/1 (M15, M17, M18)		
760001-2001-10	COMPRESSOR, BRISTOL (M1, M2)		
760005-2001-10	COMPRESSOR, BRISTOL (M3, M4)		
0131M00007P	COND MOTOR 1/4 HP, 1 SP, 6 PL (M3, M4, M9, M10, M11, M12, M13, M14, M15, M16, M17, M18, M19)		
CONT2P025024V	CONTACTOR 25 AMP, 2P, 24V (M1, M2, M3, M4, M5, M6, M7)		
CONT3P025024V	CONTACTOR 25 AMP, 3P, 24V (M8, M13, M16, M19)		
CONT2P030024V	CONTACTOR 30 AMP, 2P, 24V (M9, M10, M11, M12, M14, M15, M17, M18)		
0130M00018	CUT-OUT SWITCH, HIGH PRESSURE (M1, M2, M3, M4, M5, M6, M7)		
B1086775	FAN BLADE (M3, M4)		
0150M00016	FAN BLADE (M1, M2)		
0150G00002	FAN BLADE SWEPT-WING (M5, M6, M7, M8)		
0130F00010	FLAME SENSOR		
0131G00000P	ID BLOWER		
PCBAG123	IGNITION BOARD, DSI INTEGRATED		
0130F00014	IGNITOR		
10728342	LIMIT SWITCH (M1, M2, M3, M4)		
10728343	LIMIT SWITCH (M5, M6, M7, M18, M19)		
10728344	LIMIT SWITCH (M8, M9, M10, M11, M12, M13, M14, M15, M16, M17)		
10123532	MANUAL RESET LIMIT 350°F		

Expanded Model Nomenclature

M1 - GPG1324045M41AC
M2 - GPG1324070M41AC
M3 - GPG1330045M41AC
M4 - GPG1330070M41AC
M5 - GPG1336045M41AC
M6 - GPG1336070M41AC
M7 - GPG1336090M41AC
M8 - GPG1336090M43AC
M9 - GPG1342070M41AC
M10 - GPG1342090M41AC
M11 - GPG1348070M41AC
M12 - GPG1348090M41AC
M13 - GPG1348090M43AC
M14 - GPG1348115M41AC
M15 - GPG1360090M41AC
M16 - GPG1360090M43AC
M17 - GPG1360115M41AC
M18 - GPG1360140M41AC
M19 - GPG1360140M43AC

Top Panel / Fan / Cabinet



Top Panel / Fan / Cabinet

**Ref. Part
No: No:**

Description:

Image 1:

11	0150G00003	BLADE, FAN 26 SWEPT WING (M9, M10, M11, M12, M13, M14, M15, M16, M17, M18, M19)
11	0150M00016	FAN BLADE (M1, M2)
11	B1086775	FAN BLADE (M3, M4)
11	0150G00002	FAN BLADE SWEPT-WING (M5, M6, M7, M8)
21	0131M00007P	COND MOTOR 1/4 HP, 1 SP, 6 PL (M3, M4, M9, M10, M11, M12, M13, M14, M15, M16, M17, M18, M19)
21	0131M00061	MOTOR, 1/4HP, 1SP, 8PL (M1, M2, M5, M6, M7, M8)
31	0152G00002	GRILLE-FAN
41	20466001PDG	TOP PANEL
51	B1393500	SCREW,#10X1/2,"A"BLKCK (QTY 6)
61	0163M00006P	ACORN NUT 5/16 HEX BLACK (QTY 4)
71	20464801PDG	BLOWER DOOR 32" (M1, M2, M3, M4, M5, M6, M7)
71	20464806PDG	BLOWER DOOR 40" (M8, M9, M10, M11, M12, M13, M14, M15, M16, M17, M18, M19)
81	20464802PDG	DOOR-EVAP/CONTROL 32 W/PAINT (M1, M2, M3, M4, M5, M6, M7)
81	20464807PDG	EVAP/CONTROL DOOR 40" (M8, M9, M10, M11, M12, M13, M14, M15, M16, M17, M18, M19)
91	0121G00179DG	HEAT EXCHANGER DOOR 32" (M1, M2, M3, M4, M5, M6, M7)
91	0121G00181DG	HEAT EXCHANGER DOOR 40" (M8, M9, M10, M11, M12, M13, M14, M15, M16, M17, M18, M19)
101	20464804PDG	DOOR-COMPRESSOR 32 W/PAINT (M1, M2, M3, M4, M5, M6, M7)
101	20464809PDG	DOOR-COMPRESSOR 40 W/PAINT (M8, M9, M10, M11, M12, M13, M14, M15, M16, M17, M18, M19)
111	20467701PDG	LOUVERED PANEL, COND SIDE 32" (M1, M2, M3, M4, M5, M6, M7)
111	20467702PDG	LOUVERED PANEL, COND SIDE 40" (M8, M9, M10, M11, M12, M13, M14, M15, M16, M17, M18, M19)
121	20466101PDG	UTILITY PANEL 32" (M1, M2, M3, M4, M5, M6, M7)
121	20466102PDG	UTILITY PANEL 40" (M8, M9, M10, M11, M12, M13, M14, M15, M16, M17, M18, M19)
131	0121G00239DG	PNL, DUCT, GAS 32.5" (M1, M2, M3, M4, M5, M6, M7)
131	0121G00240DG	PNL, DUCT, GAS 40" (M8, M9, M10, M11, M12, M13, M14, M15, M16, M17, M18, M19)
141	0121G00208	SUPPORT POST 32" (M5, M6, M7)
141	0121G00209	SUPPORT POST 40" (M8, M9, M10, M11, M12, M13, M14, M15, M16, M17, M18, M19)
161	20464401PDG	LOUVERED PANEL, COND SIDE 32" (M1, M2, M3, M4, M5, M6, M7)
161	20464402PDG	LOUVERED PANEL, COND SIDE 40" (M8, M9, M10, M11, M12, M13, M14, M15, M16, M17, M18, M19)
181	0121G00290	BASE PAN RAIL (QTY 2)
251	20464201PDG	CORNER POST-COMP END 32" (M5, M6, M7)
251	20464202PDG	CORNER POST-COMP END 40" (M8, M9, M10, M11, M12, M13, M14, M15, M16, M17, M18, M19)
261	20464301PDG	CORNER POST-HAIRPIN END 32" (M1, M2, M3, M4)
261	20464302PDG	CORNER POST-HAIRPIN END 40" (M8, M9, M10, M11, M12, M13, M14, M15, M16, M17, M18, M19)
NS	0270G00070	FLUE HOOD ASSY
NS	0121G00190	FLUE HOOD-LOWER

**Ref. Part
No: No:**

Description:

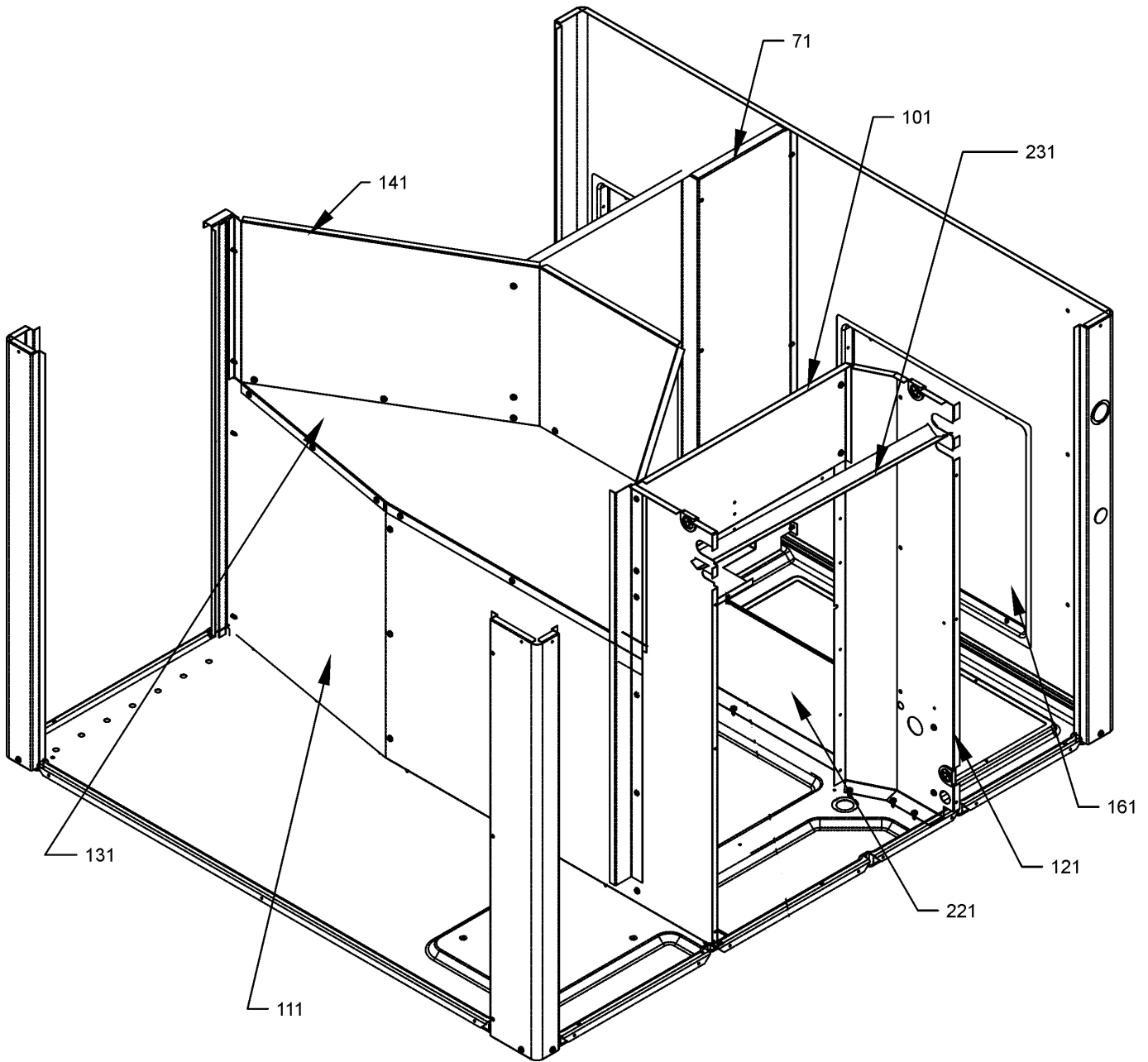
Image 1:

NS	B1910012	GAS LINE GROMMET
NS	0270G00070	HOOD, FLUE (QTY 2)
NS	17788000083F	PVC CONDUIT 8.25"
NS	20472601	SCREEN-FLUE HOOD

Expanded Model Nomenclature

M1 - GPG1324045M41AC
M2 - GPG1324070M41AC
M3 - GPG1330045M41AC
M4 - GPG1330070M41AC
M5 - GPG1336045M41AC
M6 - GPG1336070M41AC
M7 - GPG1336090M41AC
M8 - GPG1336090M43AC
M9 - GPG1342070M41AC
M10 - GPG1342090M41AC
M11 - GPG1348070M41AC
M12 - GPG1348090M41AC
M13 - GPG1348090M43AC
M14 - GPG1348115M41AC
M15 - GPG1360090M41AC
M16 - GPG1360090M43AC
M17 - GPG1360115M41AC
M18 - GPG1360140M41AC
M19 - GPG1360140M43AC

Partition Assembly



Partition Assembly

Ref. Part No:	No:	Description:	Ref. Part No:	No:	Description:
<i>Image 1:</i>					
71	20465305	BLOWER DIVIDER (M1, M2, M3, M4)			
71	20465306	BLOWER DIVIDER (M8, M9, M10)			
71	20465304	BLOWER DIVIDER 32" 10 X 9 (M5, M6, M7)			
71	0121G00177	BLOWER DIVIDER 38" (M11, M12, M13, M14, M15, M16, M17, M18, M19)			
101	20465201	FILLER PANEL, HEAT EXCHANGER 32" (M1, M2, M3, M4)			
111	0121G00360	PNL, PTN, 32.5" (M1, M2, M3, M4, M5, M6, M7)			
111	0121G00361	PNL, PTN, 40" (M8, M9, M10, M11, M12, M13, M14, M15, M16, M17, M18, M19)			
121	20465501	EVAP/HEAT EXCHANGER DIVIDER 32" (M1, M2, M3, M4)			
121	20465502	EVAP/HEAT EXCHANGER DIVIDER 38" (M8, M9, M10, M11, M12, M13, M14, M15, M16, M17, M18, M19)			
131	20465701	FAN PARTITION SHELF (M1, M2, M3, M4)			
141	20465801	FAN SURROUND 32" (M1, M2, M3, M4)			
161	20464502PDG	BACK DUCT COVER 40" (M8, M13, M16, M19)			
221	20463802	EVAP/BASEPAN BLOCK 32" (M1, M2, M3, M4, M5, M6, M7)			
221	20463801	EVAP/BASEPAN BLOCK 40" (M8, M9, M10, M11, M12, M13, M14, M15, M16, M17, M18, M19)			
231	20496801	DRAIN CHANNEL, SUCTION TUBE (M5, M6, M7, M8, M9, M10, M11, M12, M13, M14, M15, M16, M17, M18, M19)			

Expanded Model Nomenclature

- M1 - GPG1324045M41AC
- M2 - GPG1324070M41AC
- M3 - GPG1330045M41AC
- M4 - GPG1330070M41AC
- M5 - GPG1336045M41AC
- M6 - GPG1336070M41AC
- M7 - GPG1336090M41AC
- M8 - GPG1336090M43AC
- M9 - GPG1342070M41AC
- M10 - GPG1342090M41AC
- M11 - GPG1348070M41AC
- M12 - GPG1348090M41AC
- M13 - GPG1348090M43AC
- M14 - GPG1348115M41AC
- M15 - GPG1360090M41AC
- M16 - GPG1360090M43AC
- M17 - GPG1360115M41AC
- M18 - GPG1360140M41AC
- M19 - GPG1360140M43AC

Basepan / Blower Assembly

Image 1

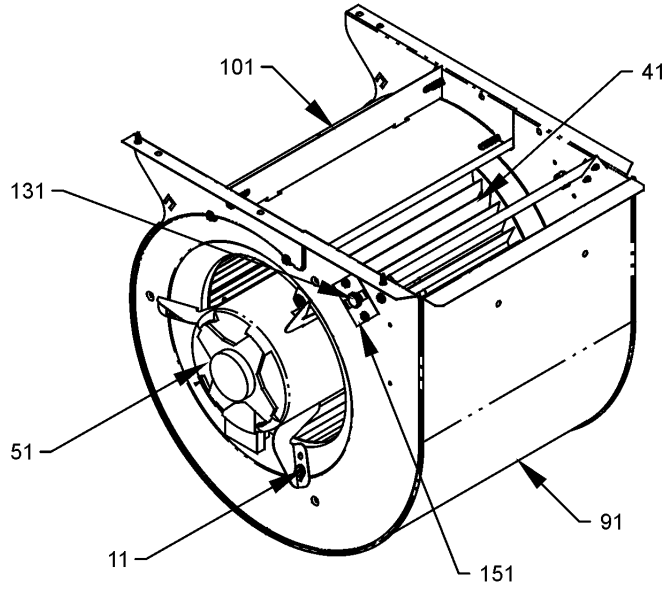
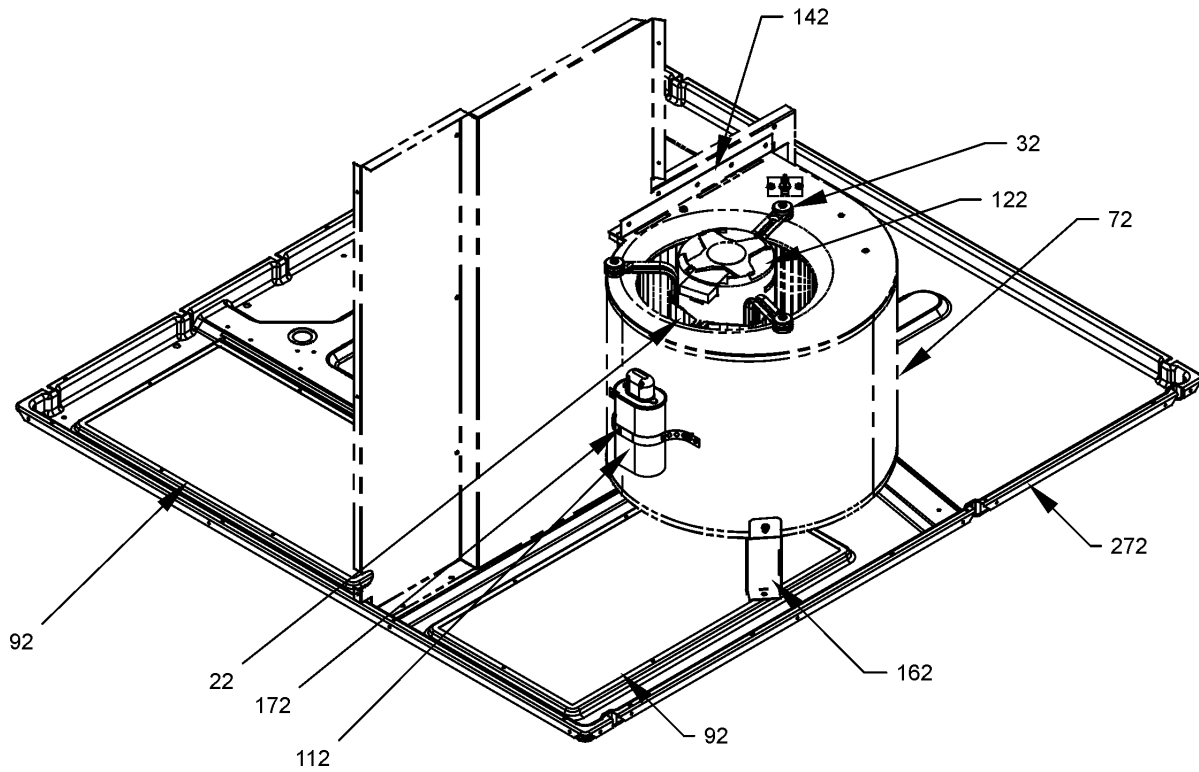


Image 2



Basepan / Blower Assembly

**Ref. Part
No: No:**

Description:

**Ref. Part
No: No:**

Description:

Image 1:

11	M0250558	TC SCREW (M1, M2)
11	M0250565	TC SCREW 1.25" (M11, M12, M13, M14, M15, M16, M17, M18, M19)
31	B1376857	MOTOR MOUNT ARM (M11, M12, M13, M14, M15, M16, M17, M18, M19)
41	D6723303	BLOWER WHEEL (M5, M6, M7)
41	D6723306	BLOWER WHEEL (M8, M9, M10)
41	B1368016	BLOWER WHEEL 10 X 8 (M3, M4)
41	B1368058	BLOWER WHEEL 10 X 8 (M1, M2)
41	B1368000	BLOWER WHEEL 11 X 10 (M11, M12, M13, M14, M15, M16, M17, M18, M19)
51	11091202	BLOWER MOTOR 1/3 HP, 3 SP, 6 PL (M3, M4)
51	11091203	BLOWER MOTOR 1/3 HP, 3 SP, 6 PL (M5, M6, M7, M8, M9, M10)
51	11091207	BLOWER MOTOR 1/4 HP, 3 SP, 8 PL (M1, M2)
91	0271F00057	BLOWER HOUSING ASSY 10 X 10 (M8, M9, M10)
91	0271F0001P	BLOWER HOUSING ASSY 10 X 8 (M1, M2)
91	0271G00025	BLOWER HOUSING ASSY 10 X 8 (M3, M4)
91	0271G00024	BLOWER HOUSING ASSY 10 X 9 (M5, M6, M7)
101	764742	BLOWER BLOCK-OFF (M5, M6, M7)
101	764741F	BLOWER BLOCK-OFF 10 X 10 (M8, M9, M10)
101	764740F	BLOWER BLOCK-OFF 10 X 8 (M1, M2, M3, M4)
101	1864703F	BLOWER CUT-OFF (M11, M12, M13, M14, M15, M16, M17, M18, M19)
131	20269903	AUXILIARY LIMIT, AUTO RESET (M1, M2)
151	2509503F	AUXILIARY LIMIT BRACKET (M1, M2)
NS	B1392143	GROMMET, 26TAL F/TORSIN FLEX (M1, M2, M3, M4, M8, M9, M10)
NS	B1393323	MACHINE SCREW HWH 1/4-20 X 1-1/2 BZ (M11, M12, M13, M14, M15, M16, M17, M18, M19)

Expanded Model Nomenclature

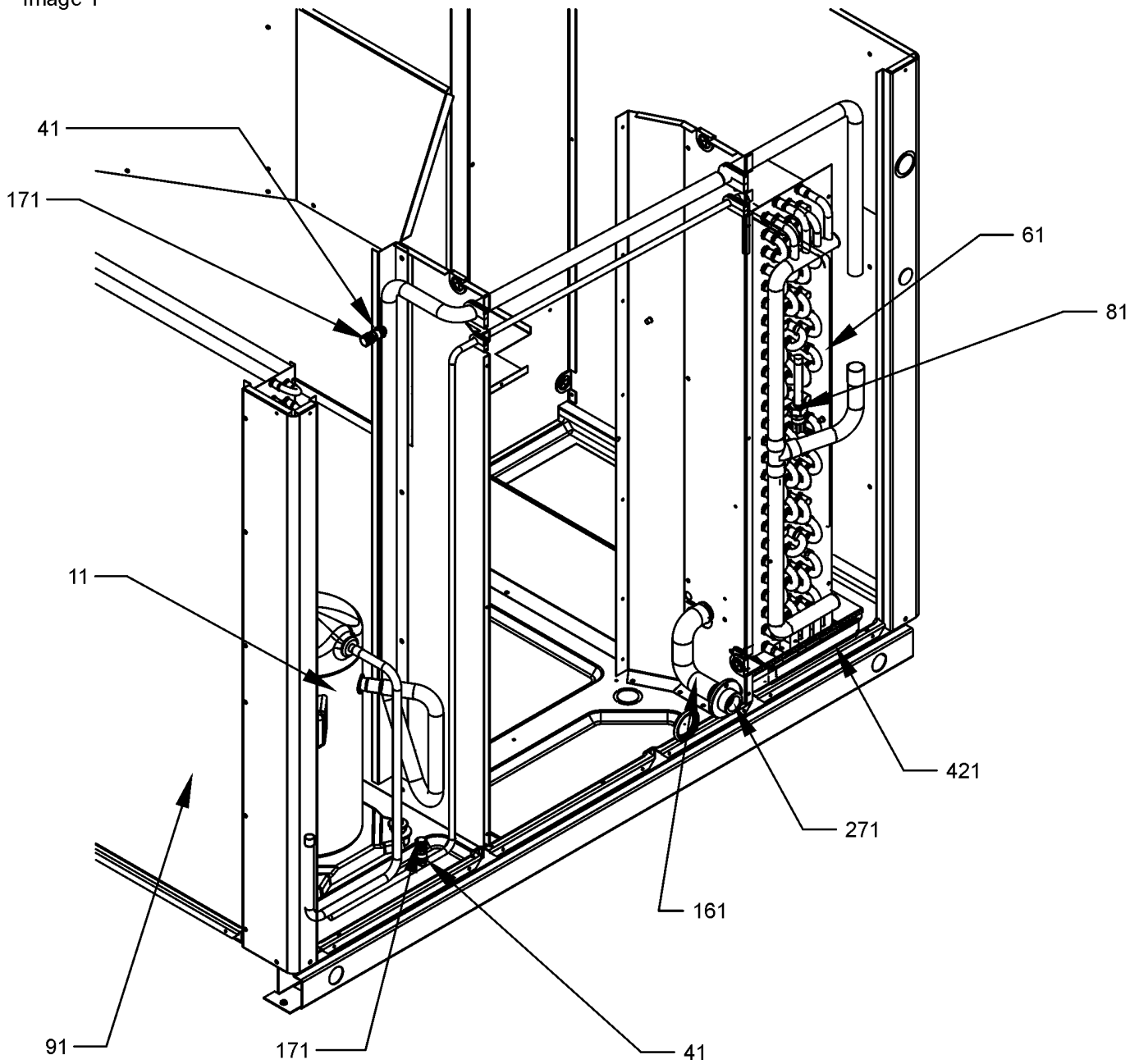
M1 - GPG1324045M41AC
M2 - GPG1324070M41AC
M3 - GPG1330045M41AC
M4 - GPG1330070M41AC
M5 - GPG1336045M41AC
M6 - GPG1336070M41AC
M7 - GPG1336090M41AC
M8 - GPG1336090M43AC
M9 - GPG1342070M41AC
M10 - GPG1342090M41AC
M11 - GPG1348070M41AC
M12 - GPG1348090M41AC
M13 - GPG1348090M43AC
M14 - GPG1348115M41AC
M15 - GPG1360090M41AC
M16 - GPG1360090M43AC
M17 - GPG1360115M41AC
M18 - GPG1360140M41AC
M19 - GPG1360140M43AC

Image 2:

22	0121M00038	MOTOR MOUNT BAND (M11, M12, M13, M14, M15, M16, M17, M18, M19)
72	2539309	BLOWER HOUSING ASSY 11 X 10 (M11, M12, M13, M14, M15, M16, M17, M18, M19)
92	0121G00148	SINGLE COVER, DOWN DISCHARGE (M1, M2, M3, M4, M5, M6, M7, M8, M9, M10)
112	CAP100000370VA	CAPACITOR 10/370V [BLOWER] (M1, M2, M3, M4, M5, M6, M7, M8, M9, M10)
122	0131M00191	Motor - 1 HP Programmed Selec (M15, M16, M17, M18, M19)
122	0131M00192	Motor - 1 HP Programmed Selec (M11, M12, M13, M14)
142	20463701	11 X 10 BLOWER MOUNTING (M11, M12, M13, M14, M15, M16, M17, M18, M19)
172	20520901	CAPACITOR STRAP
272	0121G00444	BASEPAN, PACKAGE
NS	B821700	CAPACITOR BOOT (M1, M2, M3, M4, M5, M6, M7, M8, M9, M10)
NS	B1393800	LOCKNUT, NYLON, INSERT 1/4, 20 (M11, M12, M13, M14, M15, M16, M17, M18, M19)

Compressor / Tubing Assembly

Image 1



Compressor / Tubing Assembly

**Ref. Part
No: No:**

Description:

**Ref. Part
No: No:**

Description:

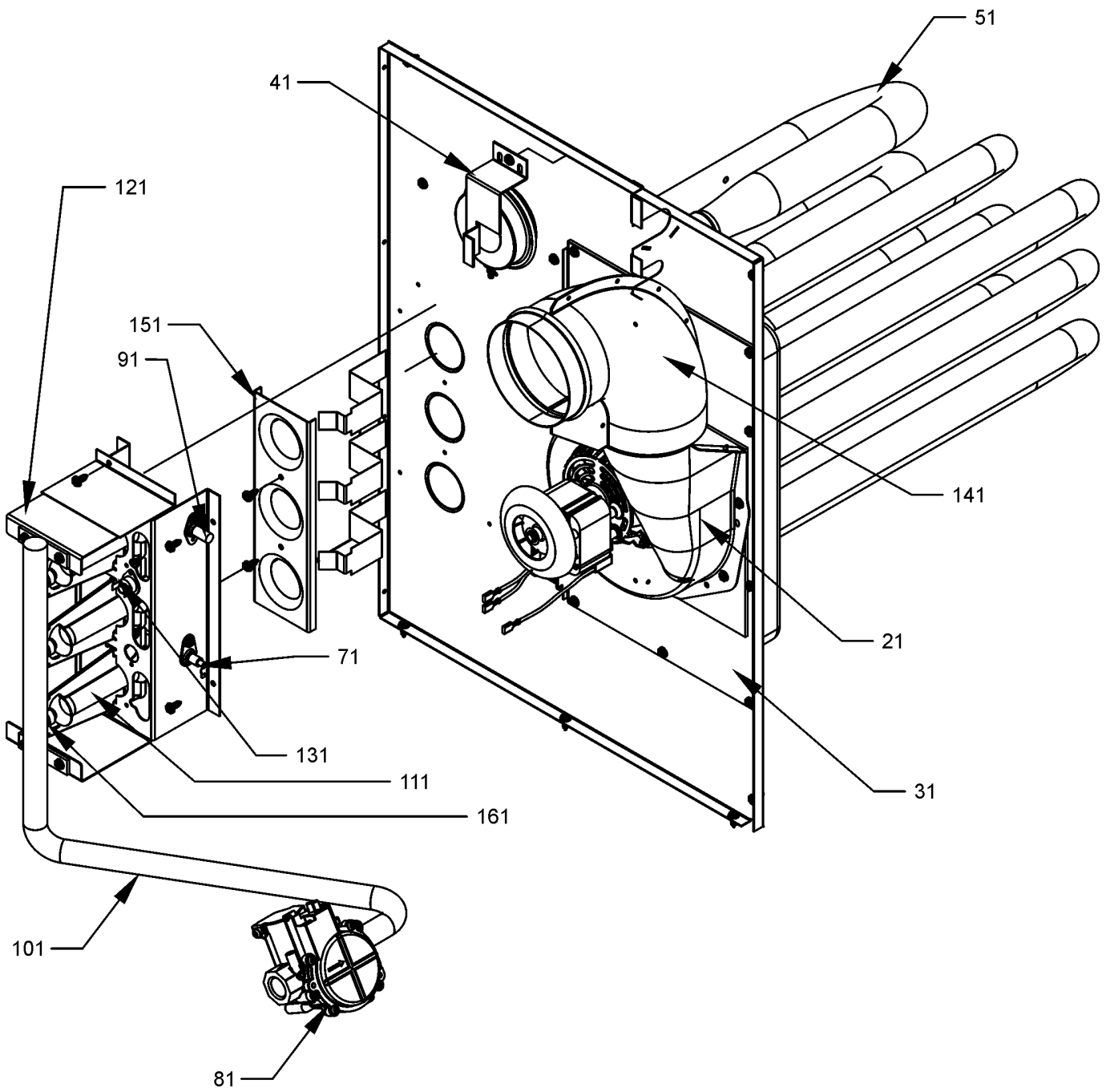
Image 1:

11	ZP39K5ETF5130	COMP, 39000,200/230/60/3 (M13)
11	ZP51K5ETF5130	COMP,51000,208/230/60/3 (M16, M19)
11	ZP31K5EPFV130	COMPRESSOR 31100, 208/230/60/1 (M5, M6, M7)
11	ZP31K5ETF5130	COMPRESSOR 31200, 200/230/60/3 (M8)
11	ZP34K5EPFV130	COMPRESSOR 34500, 208/230/60/1 (M9, M10)
11	ZP39K5EPFV130	COMPRESSOR 39000, 208/230/60/1 (M11, M12, M14)
11	ZP51K5EPFV130	COMPRESSOR 51000, 208/230/60/1 (M15, M17, M18)
11	760001-2001-10	COMPRESSOR, BRISTOL (M1, M2)
11	760005-2001-10	COMPRESSOR, BRISTOL (M3, M4)
41	B1373315	ACCESS FITTING (QTY 2)
61	0202G00282	EVAP COIL TUBING ASSY (M11, M12, M13, M14)
61	0202G00283	EVAP COIL TUBING ASSY (M1, M2)
61	0202G00288	EVAP COIL TUBING ASSY (M3, M4)
61	0202G00290	EVAP COIL TUBING ASSY (M5, M6, M7)
61	0202G00292	EVAP COIL TUBING ASSY (M8, M15, M16, M17, M18, M19)
61	0202G00316	TUBING ASSY, EVAP COIL (M9, M10)
81	0162M00116	FLOWRATOR .053 (M1, M2)
81	0162M00117	FLOWRATOR .070 (M5, M6, M7)
81	0162M00118	FLOWRATOR .072 (M9, M10)
81	0162M00119	FLOWRATOR .087 (M15, M16, M17, M18, M19)
91	0201G00139	COND COIL ASSY (M8, M9, M10)
91	0201G00134	COND COIL TUBING ASSY (M1, M2, M3, M4, M5, M6, M7)
91	0201G00135	COND COIL TUBING ASSY (M15, M16, M17, M18, M19)
91	0201G00137	COND COIL TUBING ASSY (M11, M12, M13, M14)
161	20498302	DRAIN TUBE 32" (M1, M2, M3, M4, M5, M6, M7)
161	20498301	DRAIN TUBE 40" (M8, M9, M10, M11, M12, M13, M14, M15, M16, M17, M18, M19)
171	B9102097	CAP W/O-RING (QTY 2)
271	20513001	EVAP DRAIN FITTING (M1, M2, M3, M4, M5, M6, M7)
421	20464901DF	DRAIN PAN-EVAP COIL
NS	B1339530	COMPRESSOR GROMMET (M1, M2, M3, M4)
NS	B1339533	COMPRESSOR GROMMET (M5, M6, M7, M8, M9, M10, M11, M12, M13, M14, M15, M16, M17, M18, M19)
NS	0159G00002	COMPRESSOR SCROLL HARNESS (M5, M6, M7)
NS	0159G00004	COMPRESSOR SCROLL HARNESS (M8, M13, M16, M19)
NS	0159G00006	COMPRESSOR SCROLL HARNESS (M9, M10, M11, M12, M14, M15, M17, M18)
NS	0130M00018	CUT-OUT SWITCH, HIGH PRESSURE (M1, M2, M3, M4, M5, M6, M7)
NS	0121G00324	EVAP DRIP SHIELD (M8, M9, M10, M11, M12, M13, M14, M15, M16, M17, M18, M19)
NS	B1810011	HOSE CLAMP 1.25 (M8, M9, M10, M11, M12, M13, M14, M15, M16, M17, M18, M19)
NS	B1219225	SINGLE-FLOW FILTER DRIER, STEEL
NS	M0221641	TF SHOULDER SCREW (M3, M4, M5, M6, M7, M8, M9, M10, M11, M12, M13, M14, M15, M16, M17, M18, M19)

Expanded Model Nomenclature

M1 - GPG1324045M41AC
M2 - GPG1324070M41AC
M3 - GPG1330045M41AC
M4 - GPG1330070M41AC
M5 - GPG1336045M41AC
M6 - GPG1336070M41AC
M7 - GPG1336090M41AC
M8 - GPG1336090M43AC
M9 - GPG1342070M41AC
M10 - GPG1342090M41AC
M11 - GPG1348070M41AC
M12 - GPG1348090M41AC
M13 - GPG1348090M43AC
M14 - GPG1348115M41AC
M15 - GPG1360090M41AC
M16 - GPG1360090M43AC
M17 - GPG1360115M41AC
M18 - GPG1360140M41AC
M19 - GPG1360140M43AC

Heat Exchanger / Manifold / Gas Valve



Heat Exchanger / Manifold / Gas Valve

**Ref. Part
No: No:**

Description:

**Ref. Part
No: No:**

Description:

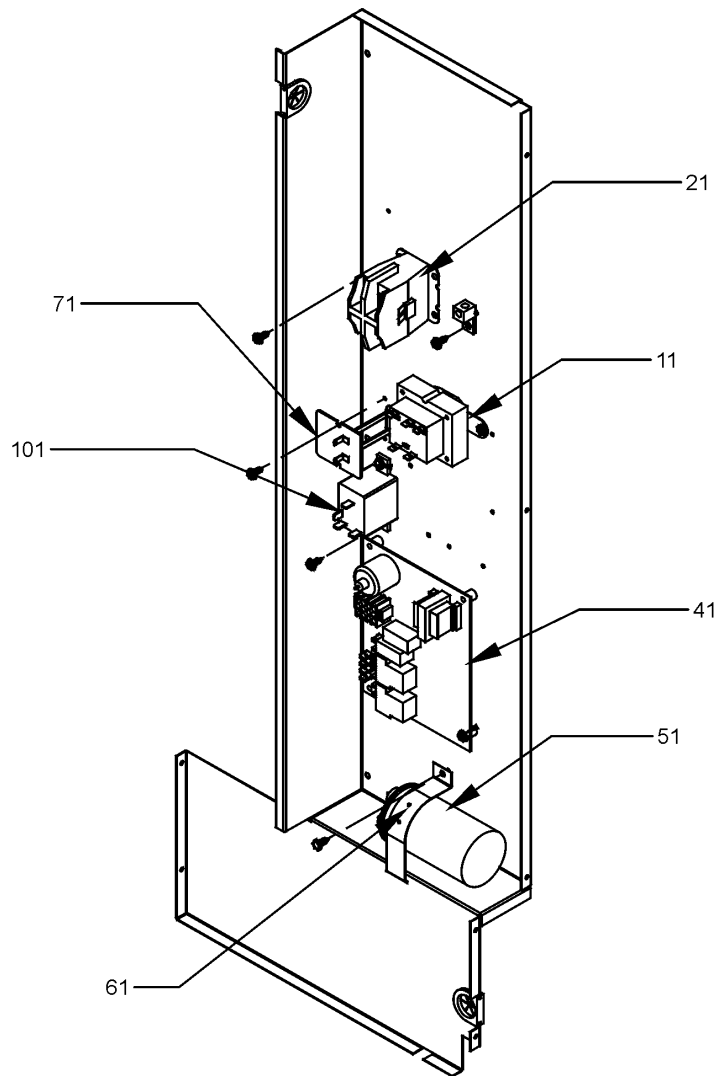
Image 1:

21	0131G00000P	ID BLOWER
31	20463204	ID BLOWER PLATE LRG 3 BRNR (M9, M11)
31	20463201	ID BLOWER PLATE LRG 4 BRNR (M8, M10, M12, M13, M15, M16)
31	20463202	ID BLOWER PLATE LRG 5 BRNR (M14, M17)
31	20463203	ID BLOWER PLATE LRG 6 BRNR (M18, M19)
31	20463101	ID BLOWER PLATE SML 2 BRNR (M1, M3, M5)
31	20463102	ID BLOWER PLATE SML 3 BRNR (M2, M4, M6)
31	20463103	ID BLOWER PLATE SML 4 BRNR (M7)
41	11112501	PRESSURE SWITCH
51	0257G00010	HEAT EXCHANGER ASSY (M1, M3, M5)
51	0257G00011	HEAT EXCHANGER ASSY (M2, M4, M6)
51	0257G00012	HEAT EXCHANGER ASSY (M7)
51	0257G00013	HEAT EXCHANGER ASSY (M8, M10, M12, M13, M15, M16)
51	0257G00014	HEAT EXCHANGER ASSY (M9, M11)
51	0257G00015	HEAT EXCHANGER ASSY (M14, M17)
51	0257G00016	HEAT EXCHANGER ASSY (M18, M19)
71	0130F00014	IGNITOR
81	0151M00013	VALVE, GAS (HW)
91	0130F00010	FLAME SENSOR
101	0121M00035P	MANIFOLD - 2 BRNR (M1, M3, M5)
101	0121M00036P	MANIFOLD - 3 BRNR (M9, M11)
101	20493103	MANIFOLD - 3 BRNR (M2, M4, M6)
101	20493104	MANIFOLD - 4 BRNR (M7)
101	20493105	MANIFOLD - 4 BRNR (M8, M10, M12, M13, M15, M16)
101	20493106	MANIFOLD - 5 BRNR (M14, M17)
101	20493107	MANIFOLD - 6 BRNR (M18, M19)
111	10735102	BECKETT BURNER (QTY A/R)
121	20190410	BURNER BRACKET 2B (M1, M3, M5)
121	20190411	BURNER BRACKET 3B (M2, M4, M6, M9, M11)
121	20190412	BURNER BRACKET 4B (M7, M8, M10, M12, M13, M15, M16)
121	20190413	BURNER BRACKET 5B (M14, M17)
121	0121F00145	BURNER BRACKET 6B (M18, M19)
131	10123532	MANUAL RESET LIMIT 350°F
141	20484401W	FLUE ELBOW LEFT (M7, M8, M9, M10, M11, M12, M13, M14, M15, M16, M17, M18, M19)
141	20484402W	FLUE ELBOW RIGHT (M1, M2, M3, M4, M5, M6)
151	11072201	ORIFICE SHIELD (M1, M3, M5)
151	11072202	ORIFICE SHIELD (M9, M11)
151	11072203	ORIFICE SHIELD (M7, M8, M10, M12, M13, M15, M16)
151	11072204	ORIFICE SHIELD (M14, M17)
151	11072205	ORIFICE SHIELD (M18, M19)
161	10716003	ORIFICE (QTY A/R)
NS	20463001	ID BLOWER PLATE GASKET LRG (M8, M9, M10, M11, M12, M13, M14, M15, M16, M17, M18, M19)
NS	20462801	ID BLOWER PLATE GASKET SML (M1, M2, M3, M4, M5, M6)

Expanded Model Nomenclature

M1 - GPG1324045M41AC
M2 - GPG1324070M41AC
M3 - GPG1330045M41AC
M4 - GPG1330070M41AC
M5 - GPG1336045M41AC
M6 - GPG1336070M41AC
M7 - GPG1336090M41AC
M8 - GPG1336090M43AC
M9 - GPG1342070M41AC
M10 - GPG1342090M41AC
M11 - GPG1348070M41AC
M12 - GPG1348090M41AC
M13 - GPG1348090M43AC
M14 - GPG1348115M41AC
M15 - GPG1360090M41AC
M16 - GPG1360090M43AC
M17 - GPG1360115M41AC
M18 - GPG1360140M41AC
M19 - GPG1360140M43AC

Control Panel



Control Panel

**Ref. Part
No: No:**

Description:

**Ref. Part
No: No:**

Description:

Image 1:

11	B1141643	TRANSFORMER 208/230, 24V
21	CONT2P025024V	CONTACTOR 25 AMP, 2P, 24V (M1, M2, M3, M4, M5, M6, M7)
21	CONT3P025024V	CONTACTOR 25 AMP, 3P, 24V (M8, M13, M16, M19)
21	CONT2P030024V	CONTACTOR 30 AMP, 2P, 24V (M9, M10, M11, M12, M14, M15, M17, M18)
41	PCBAG123	IGNITION BOARD, DSI INTEGRATED
51	CAP050700440RT	CAP.5/70 MFD/440V/DUAL RD (M15, M17, M18)
51	CAP100000370VA	CAPACITOR 10/370V [BLOWER] (M1, M2, M3, M4, M5, M6, M7, M8, M9, M10)
51	CAP050350440RS	CAPACITOR 5/35/440V (M1, M2, M3, M4)
51	CAP050000370VA	CAPACITOR 5/370V (M8)
51	CAP050000370VA	CAPACITOR 5/370V (M13, M16, M19)
51	CAP050450440RT	CAPACITOR 5/45/440V (M5, M6, M7, M9, M10, M11, M12, M14)
61	20520901	CAPACITOR STRAP
71	10728342	LIMIT SWITCH (M1, M2, M3, M4)
71	10728343	LIMIT SWITCH (M5, M6, M7, M18, M19)
71	10728344	LIMIT SWITCH (M8, M9, M10, M11, M12, M13, M14, M15, M16, M17)
101	0130M00025	24V RELAY (M11, M12, M14, M15, M17, M18)
NS	0259G00091	ASSY, FEMALE PLUG
NS	0259G00009	BLOWER HARNESS (M1, M2, M3, M4, M5, M6, M7, M9, M10)
NS	0259G00023	HARNESS, BLOWER (M11, M12, M14, M15, M17, M18)
NS	0259G00080	HARNESS-CONTROL (M1, M2)
NS	0259G00081	HARNESS-CONTROL (M9, M10)
NS	0259G00083	HARNESS-CONTROL (M11, M12, M14)
NS	0259G00084	HARNESS-CONTROL (M13, M15, M16, M17, M18, M19)
NS	0259G00085	HARNESS-CONTROL (M3, M4)
NS	0259G00086	HARNESS-CONTROL (M5, M6, M7, M8)
NS	0259G00090	PLUG ASSY, 12 PIN MALE (M8, M9, M10, M11, M12, M13, M14, M15, M16, M17, M18, M19)
NS	0259G00093	PLUG ASSY, 12 PIN MALE (M1, M2, M3, M4, M5, M6, M7)

Expanded Model Nomenclature

M1 - GPG1324045M41AC
M2 - GPG1324070M41AC
M3 - GPG1330045M41AC
M4 - GPG1330070M41AC
M5 - GPG1336045M41AC
M6 - GPG1336070M41AC
M7 - GPG1336090M41AC
M8 - GPG1336090M43AC
M9 - GPG1342070M41AC
M10 - GPG1342090M41AC
M11 - GPG1348070M41AC
M12 - GPG1348090M41AC
M13 - GPG1348090M43AC
M14 - GPG1348115M41AC
M15 - GPG1360090M41AC
M16 - GPG1360090M43AC
M17 - GPG1360115M41AC
M18 - GPG1360140M41AC
M19 - GPG1360140M43AC