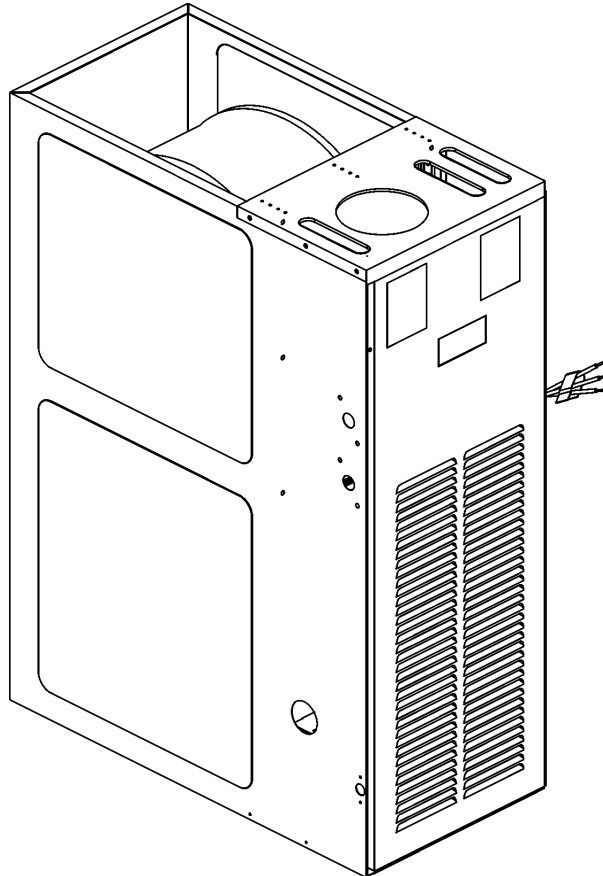


REPAIR PARTS

GPD Power Vented Downflow Gas Furnace

GPD050-3
GPD075-3
GPD100-4
GPD125-4



Goodman Manufacturing Company, L.P.
5151 San Felipe, Suite 500
Houston, TX 77056

www.goodmanmfg.com



RP-435
April 2008

Important Information

Index

Functional Parts List	3
Illustration and Parts	4 - 9

Views shown are for parts illustrations only, not servicing procedures.

Text Codes:

AR - As Required

NA - Not Available

NS - Not Shown

00000000 - See Note

QTY - Quantity Example (QTY 3) (If Quantity not shown, Quantity = 1)

M - Model Example (M1) (If M Code not shown, then part is used on all Models)

Expanded Model Nomenclature:

Example M1 - Model#1 M2 - Model#2 M3 - Model#3

Goodman Manufacturing Company, L.P. is not responsible for personal injury or property damage resulting from improper service. Review all service information before beginning repairs.

Warranty service must be performed by an authorized technician, using authorized factory parts. If service is required after the warranty expires, Goodman Manufacturing Company, L.P. also recommends contacting an authorized technician and using authorized factory parts.

Goodman Manufacturing Company, L.P. reserves the right to discontinue, or change at any time, specifications or designs without notice or without incurring obligations.

For assistance within the U.S.A. contact:
Consumer Affairs Department
Goodman Manufacturing Company, L.P.
7401 Security Way
Houston, Texas 77040
877-254-4729-Telephone
713-863-2382-Facsimile

For assistance outside the U.S.A. contact:
International Division
Goodman Manufacturing Company, L.P.
7401 Security Way
Houston, Texas 77040
713-861-2500-Telephone
713-863-2382-Facsimile

Functional Parts

Part

No: Description:

B1370126	AIR PRESSURE SWITCH (M1, M3, M4)
B1370133	AIR PRESSURE SWITCH, YELLOW (M2)
B1370155	AUXILIARY LIMIT SWITCH 120°F
0131F00020	BLOWER MOTOR 1/3 HP, 4 SP, 6 PL (M1, M2)
B1340020S	BLOWER MOTOR DIRECT DRIVE 1/2 HP (M3, M4)
CAP100000370VAS	CAPACITOR 10/370V [BLOWER] (M3, M4)
CAP125000370RPS	CAPACITOR 12.5/370V [BLOWER] (M1, M2)
0130F00010	FLAME SENSOR
B1282628	GAS VALVE (36G)
B1401018S	HOT SURFACE IGNITOR
B1809913S	HSI BOARD W/9-PIN CONNECTOR
1370902S	PRIMARY LIMIT SWITCH 210°F (M2)
1370911S	PRIMARY LIMIT SWITCH 220°F (M4)
1370915S	PRIMARY LIMIT SWITCH 230°F (M3)
1370912S	PRIMARY LIMIT SWITCH 240°F (M1)
B1370154	ROLL OUT SWITCH, 350° W/O BRKT.
B1141605	TRANSFORMER 120V TO 24V, 40 VA
B1859005S	VENT MOTOR & HOUSING

SPECIAL PARTS

IO-160B	INSTALLATION INSTRUCTIONS
IO-605	LIGHTING INSTRUCTIONS-36G
RP-435	REPAIR PARTS MANUAL
IO-604	SPECIAL INSTRUCTIONS-36G VALVE
HI-111C	USERS MANUAL

Expanded Model Nomenclature

M1 - GPD050-3
M2 - GPD075-3
M3 - GPD100-4
M4 - GPD125-4

Cabinet Assy

Image 1

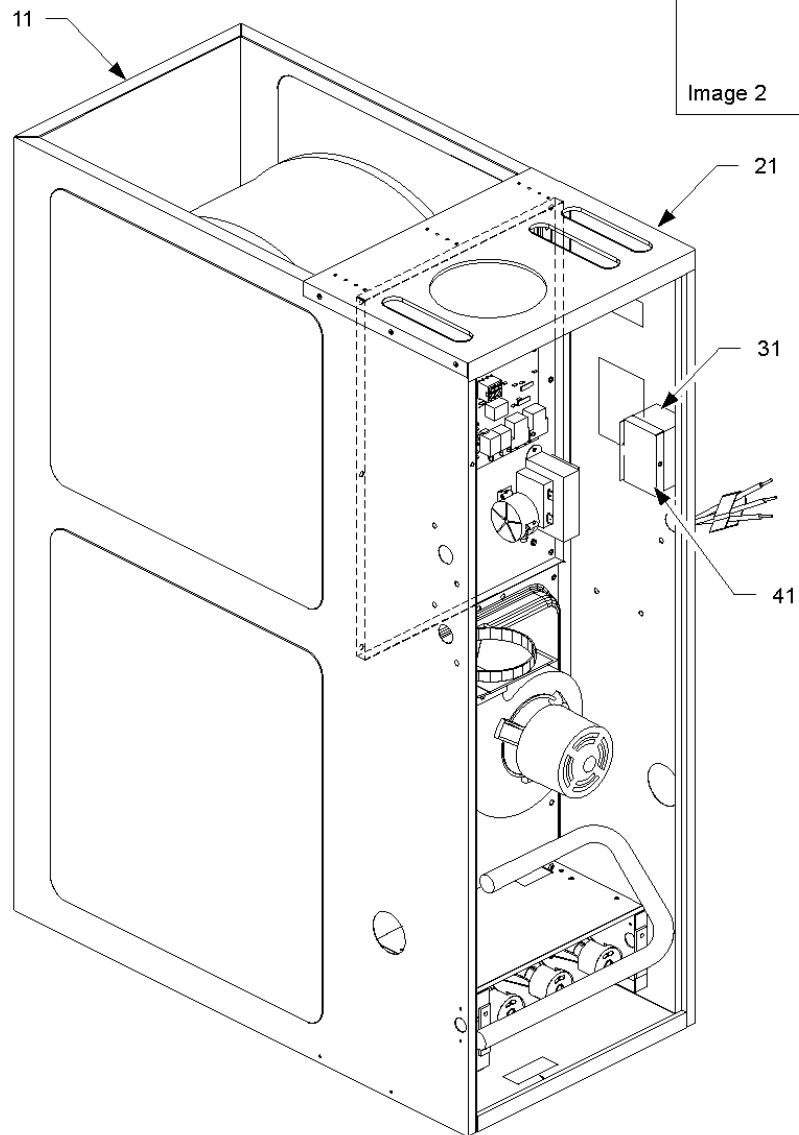
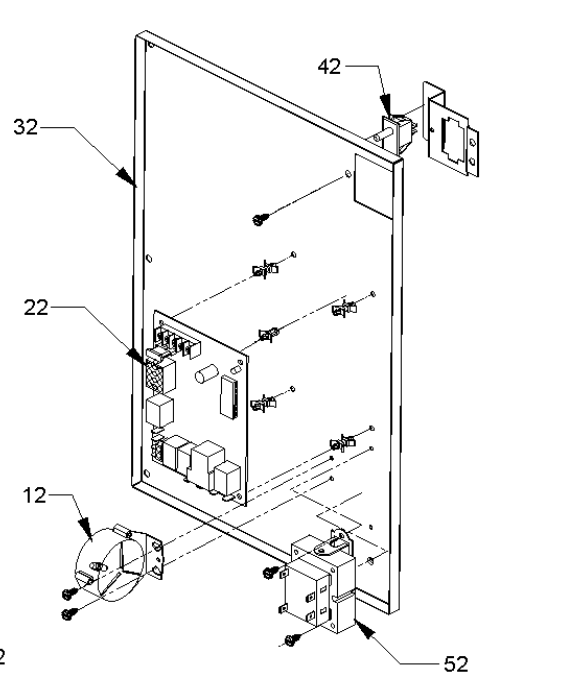
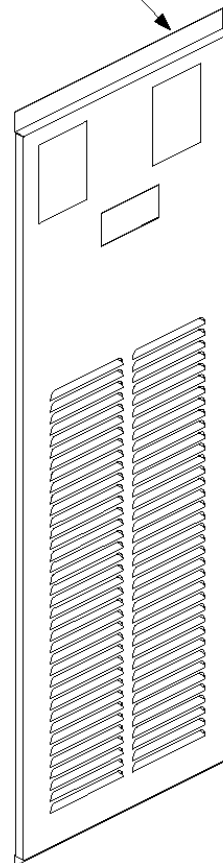


Image 2



51



Cabinet Assy

Ref. Part No: No:	Description:	Ref. Part No: No:	Description:
-------------------	--------------	-------------------	--------------

Image 1:

11	2516504S	WRAPPER 14" (M1, M2)
11	2516505S	WRAPPER 17.5" (M3)
11	2516506S	WRAPPER 21" (M4)
21	2508004P	TOP PANEL 14" (M1, M2)
21	2508005P	TOP PANEL 17.5" (M3)
21	2508006P	TOP PANEL 21" (M4)
31	2514501	J-BOX
41	2515501	J-BOX COVER
51	2512004P	CONTROL ACCESS DOOR 14" (M1, M2)
51	2512005P	CONTROL ACCESS DOOR 17" (M3)
51	2512006P	CONTROL ACCESS DOOR 21" (M4)
NS	2524000	DUCT ANGLE 14" (M1, M2)
NS	2524001	DUCT ANGLE 17.5" (M3)
NS	2524002	DUCT ANGLE 21" (M4)
NS	2568413	WIRE HARNESS, HSI CONNECT
NS	2568412	WIRE HARNESS, HSI MODULE

Image 2:

12	B1370126	AIR PRESSURE SWITCH (M1, M3, M4)
12	B1370133	AIR PRESSURE SWITCH, YELLOW (M2)
22	B1809913S	HSI BOARD W/9-PIN CONNECTOR
32	2515008	INNER BLOWER DOOR 14" (M1, M2)
32	2515009	INNER BLOWER DOOR 17.5" (M3)
32	2515010	INNER BLOWER DOOR 21" (M4)
42	B1370819	DOOR SWITCH
52	B1141605	TRANSFORMER 120V TO 24V, 40 VA
NS	B1392705	PRESSURE SWITCH HOSE

Expanded Model Nomenclature

M1 - GPD050-3
M2 - GPD075-3
M3 - GPD100-4
M4 - GPD125-4

Heat Exchanger/Burner Box Assy

Image 1

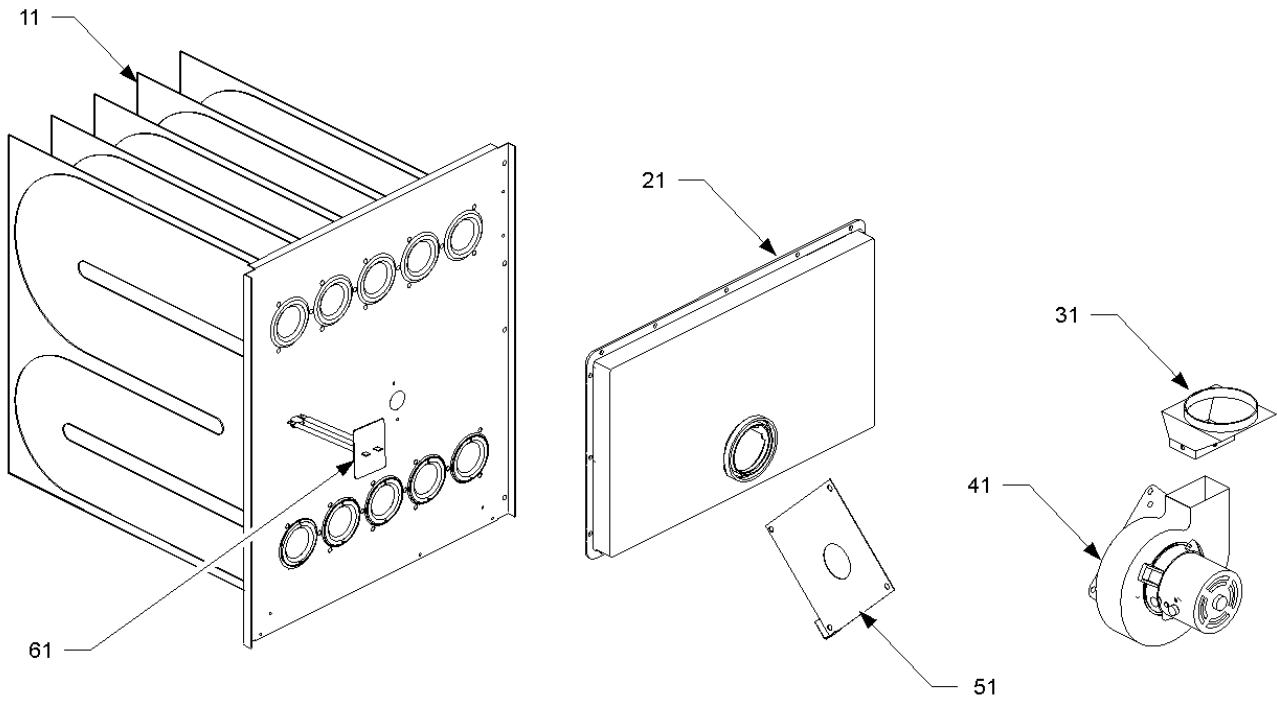
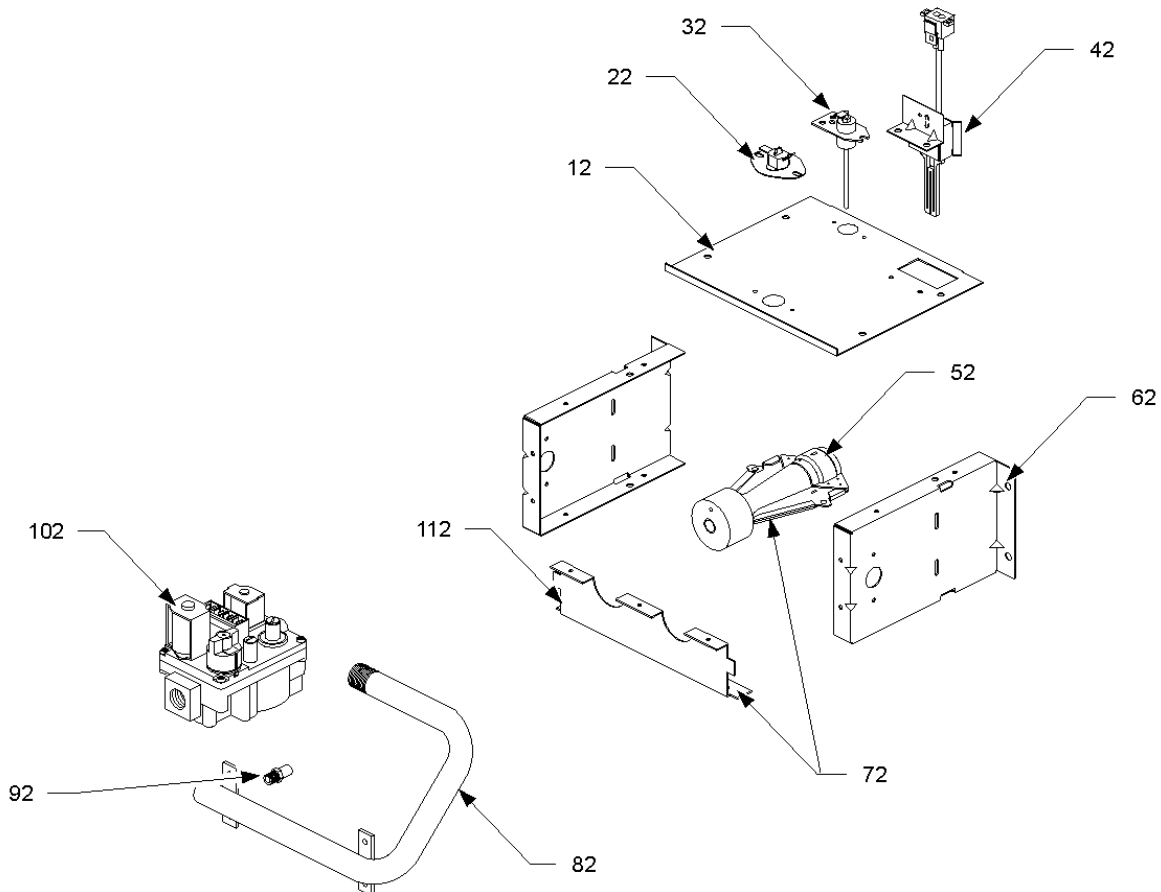


Image 2



Heat Exchanger/Burner Box Assy

Ref. Part No: No:	Description:	Ref. Part No: No:	Description:
-------------------	--------------	-------------------	--------------

Image 1:

11	2521300S	SUB-ASSY, HEAT EXCHANGER 2 CL (M1)
11	2521301S	SUB-ASSY, HEAT EXCHANGER 3 CL (M2)
11	2521302S	SUB-ASSY, HEAT EXCHANGER 4 CL (M3)
11	2521303S	SUB-ASSY, HEAT EXCHANGER 5 CL (M4)
21	2510000S	FLUE COLLECTOR BOX 14" (M1, M2)
21	2510001S	FLUE COLLECTOR BOX 17.5" (M3)
21	2510002S	FLUE COLLECTOR BOX 21" (M4)
31	4053501S	CHIMNEY
41	B1859005S	VENT MOTOR & HOUSING
51	2528001S	FLUE RESTRICTOR PLATE 1.250 DIA (M1)
51	2528007S	FLUE RESTRICTOR PLATE 1.688 DIA (M2)
51	2528002S	FLUE RESTRICTOR PLATE 2.125 DIA (M3)
51	2528003S	FLUE RESTRICTOR PLATE 2.250 DIA (M4)
61	1370902S	PRIMARY LIMIT SWITCH 210°F (M2)
61	1370911S	PRIMARY LIMIT SWITCH 220°F (M4)
61	1370915S	PRIMARY LIMIT SWITCH 230°F (M3)
61	1370912S	PRIMARY LIMIT SWITCH 240°F (M1)
NS	2568411	WIRE HARNESS, HEAT EXCHANGER

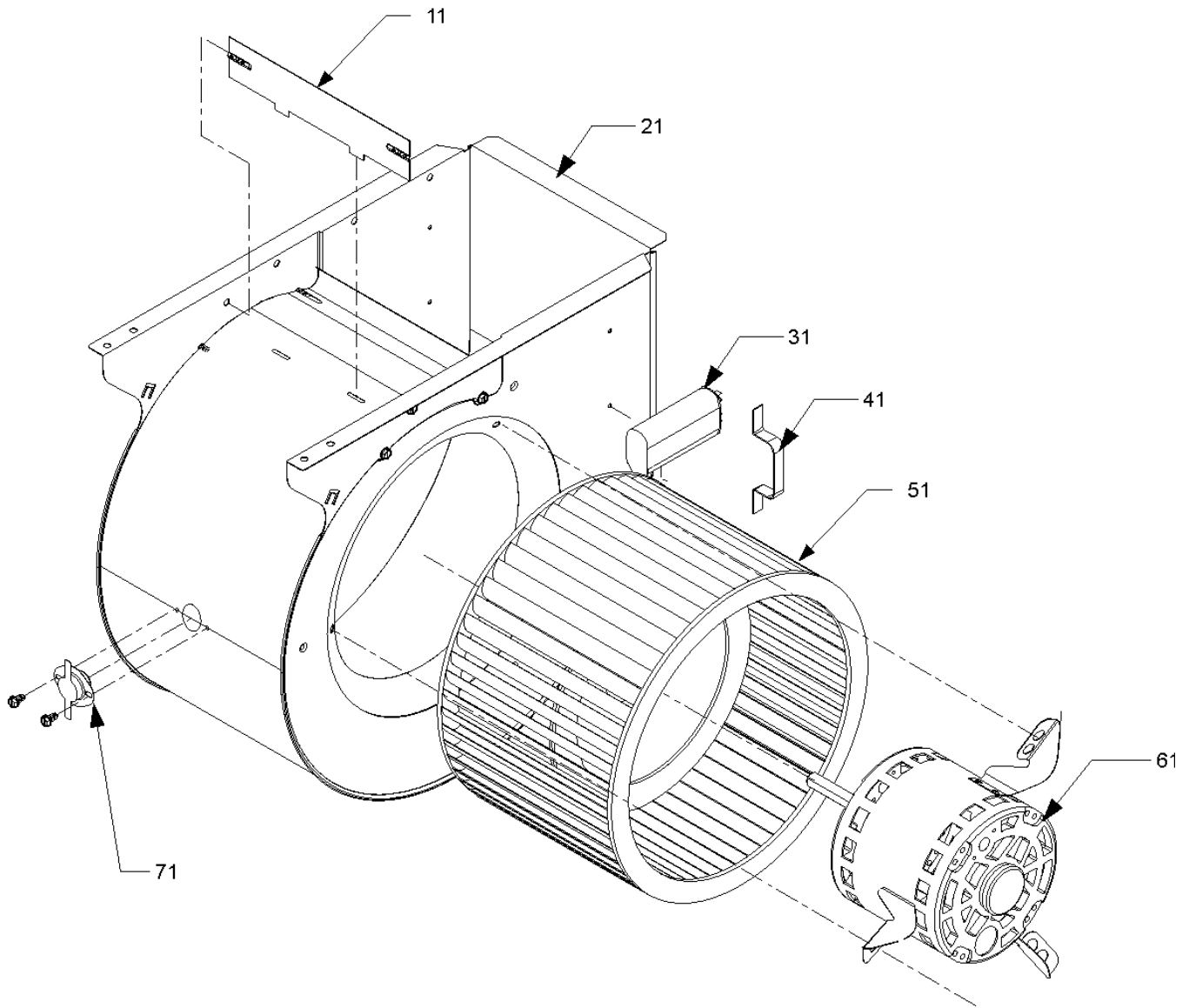
Expanded Model Nomenclature

M1 - GPD050-3
M2 - GPD075-3
M3 - GPD100-4
M4 - GPD125-4

Image 2:

12	2513001	BURNER BOX TOP, 3 CELL (M2)
12	2513003	BURNER BOX TOP, 5 CELL (M4)
22	B1370154	ROLL OUT SWITCH, 350° W/O BRKT.
32	0130F00010	FLAME SENSOR
42	B1401018S	HOT SURFACE IGNITOR
52	B4022700	INSHOT BURNER ASSY 3" (QTY 2)
62	2514000	BURNER BOX SIDE
72	4022700S	BURNER RACK ASSY 2 CELL (M1)
72	4022701S	BURNER RACK ASSY 3 CELL (M2)
72	4022702S	BURNER RACK ASSY 4 CELL (M3)
72	4022703S	BURNER RACK ASSY 5 CELL (M4)
82	B2526000	MANIFOLD - 3 BRNR (M1)
82	B2526001	MANIFOLD - 3 BRNR (M2)
82	B2526002	MANIFOLD - 4 BRNR (M3)
82	B2526003	MANIFOLD - 5 BRNR (M4)
92	B2589342	#42 ORIFICE (M2, M3, M4)
92	B2589343	#43 ORIFICE (M1)
102	B1282628	GAS VALVE (36G)
112	2513500	BURNER BRACKET 2B (M1)
112	2513501	BURNER BRACKET 3B (M2)
112	2513502	BURNER BRACKET 4B (M3)
112	2513503	BURNER BRACKET 5B (M4)

Blower Assy



Blower Assy

Ref. Part No:	No:	Description:	Ref. Part No:	No:	Description:
<i>Image 1:</i>					
11	764740F	BLOWER BLOCK-OFF 10 X 8 (M3)			
11	764741	BLOWER CUT-OFF 10 X 10 (M4)			
11	764739	BLOWER CUT-OFF 10 X 6 (M1, M2)			
21	2539307S	BLOWER HOUSING ASSY 10 X 10 (M4)			
21	2539305S	BLOWER HOUSING ASSY 10 X 6 (M1, M2)			
21	2539306S	BLOWER HOUSING ASSY 10 X 8 (M3)			
51	B1368047A	BLOWER WHEEL 10 X 10 (M4)			
51	B1368034S	BLOWER WHEEL 10 X 6 (M1, M2)			
51	B1368016S	BLOWER WHEEL 10 X 8 (M3)			
61	0131F00020	BLOWER MOTOR 1/3 HP, 4 SP, 6 PL (M1, M2)			
61	B1340020S	BLOWER MOTOR DIRECT DRIVE 1/2 HP (M3, M4)			
71	B1370155	AUXILIARY LIMIT SWITCH 120°F			
81	CAP100000370VAS	CAPACITOR 10/370V [BLOWER] (M3, M4)			
81	CAP125000370RPS	CAPACITOR 12.5/370V [BLOWER] (M1, M2)			
91	1284835	CAPACITOR STRAP			
NS	2568410	WIRE HARNESS, BLOWER			

Expanded Model Nomenclature

M1 - GPD050-3
M2 - GPD075-3
M3 - GPD100-4
M4 - GPD125-4