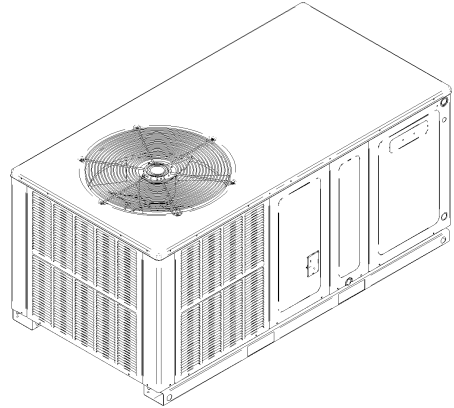




REPAIR PARTS

GPC15 Horizontal Package Cooling Units

GPC1524H41AC
GPC1530H41AC
GPC1536H41BB



This manual is to be used by qualified technicians only.

© 2020 Goodman Manufacturing Company, L.P. ♦ 5151 San Felipe St, Suite 500 ♦ Houston, TX 77056

Important Information

Index

Functional Parts List	3
Illustration and Parts	4 - 13

Views shown are for parts illustrations only, not servicing procedures

Text Codes:

AR - As Required

NA - Not Available

NS - Not Shown

00000000 - See Note

QTY - Quantity Example (QTY 3) (If Quantity not shown, Quantity = 1)

M - Model Example (M1) (If M Code not shown, then part is used on all Models)

Expanded Model Nomenclature:

Example M1 - Model#1 M2 - Model#2 M3 - Model#3

Goodman Manufacturing Company, L.P. is not responsible for personal injury or property damage resulting from improper service. Review all service information before beginning repairs.

Warranty service must be performed by an authorized technician, using authorized factory parts. If service is required after the warranty expires, Goodman Manufacturing Company, L.P. also recommends contacting an authorized technician and using authorized factory parts.

Goodman Manufacturing Company, L.P. reserves the right to discontinue, or change at any time, specifications or designs without notice or without incurring obligations.

For assistance within the U.S.A. contact:
Homeowner Support
Goodman Manufacturing Company, L.P.
19001 Kermier Road
Waller, Texas 77484
877-254-4729-Telephone
713-863-2382-Facsimile

For assistance outside the U.S.A. contact:
International Division
Goodman Manufacturing Company, L.P.
19001 Kermier Road
Waller, Texas 77484
713-861-2500-Telephone
713-863-2382-Facsimile

Functional Parts

Part

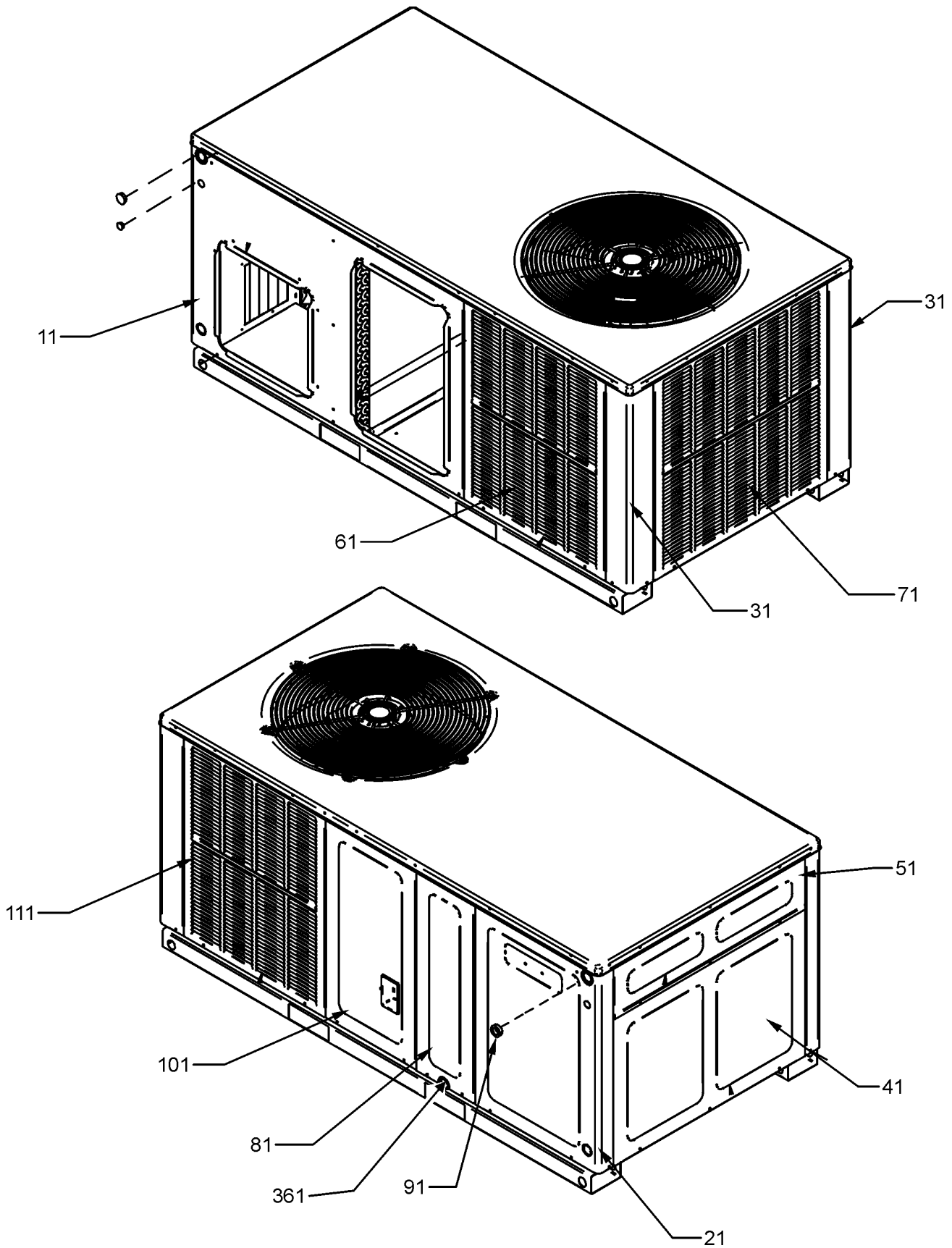
No: Description:

50N492ZV-ZAKM	2.0TONRECHI COMPR.4 LEGS (M1)
B1368016	BLOWER WHEEL 10 X 8
CAP050450440CT	CAP, 5/45 MFD/440V/DUAL RD (M1, M3)
CAP050400440CT	CAPACITOR 5/40/440V/DUAL RD (M2)
ZP25K5EPFV130	COMP,25200,208/230/60/1 (M2)
ZP29K5EPFV130	COMP,29000,208/230/60/1 (M3)
CONT1P025024V	CONTACTOR 25 AMP, 1P, 24V
0131M00750M	CONTROLLERLESS MOTOR
B1086765	FAN BLADE TYPE 3 (M3)
0150M00055	FAN BLADE, 22" (M1, M2)
0130M00074	HIGH PRESSURE SWITCH (M1)
0131M00753	MOTOR, 1/6HP, 1SP, 8PL, AL (M1, M2)
0131M00951	Motor, OD, PSC,1/4 HP (M3)
0131M00488	PROGRAMMED CONTROLLER (M1)
0131M00490	PROGRAMMED CONTROLLER (M2)
0131M00597	PROGRAMMED CONTROLLER (M3)
0130M00138	TRANSFORMER, 208/230, 24V

Expanded Model Nomenclature

M1 - GPC1524H41AC
M2 - GPC1530H41AC
M3 - GPC1536H41BB

Cabinet Assembly



Cabinet Assembly

Ref. Part No:	No:	Description:	Ref. Part No:	No:	Description:
---------------	-----	--------------	---------------	-----	--------------

Image 1:

11	0121G00667PDG	DUCT PANEL 27.5"
21	0121G00664DG	CORNER PANEL 27.5"
31	0121G00047PDG	CORNER POST 27.5" (M2, M3)
31	0121G00516DG	CORNER POST, 27.5" (M1)
41	0121G00271DG	EXTERNAL BLOWER PANEL 27.5"
51	0121G00276DG	EXTERNAL CONTROL BOX PANEL (M2, M3)
61	0121G00517DG	LOUVERED PANEL 27.5" (M1)
61	0121G00069PDG	LOUVERED PANEL 4 BANK 27.5" (M2, M3)
71	0121G00072PDG	LOUVERED PANEL 5 BANK 27.5" (QTY 2)
81	0121G00065PDG	PNL, EVAP, 8.75" X 27.5"
91	B1392012	GROMMET / HS 1.0 - .79
101	0121G00711DG	COMPRESSOR PANEL (M1)
101	0121G00713DG	COMPRESSOR PANEL (M2, M3)
111	0121G00517DG	LOUVERED PANEL 27.5" (M1)
111	0121G00069PDG	LOUVERED PANEL 4 BANK 27.5" (M2, M3)
361	0164G00005	GROMMET-HORSESHOE 1.675

Expanded Model Nomenclature

M1 - GPC1524H41AC
M2 - GPC1530H41AC
M3 - GPC1536H41BB

Chassis Assembly

Image 1

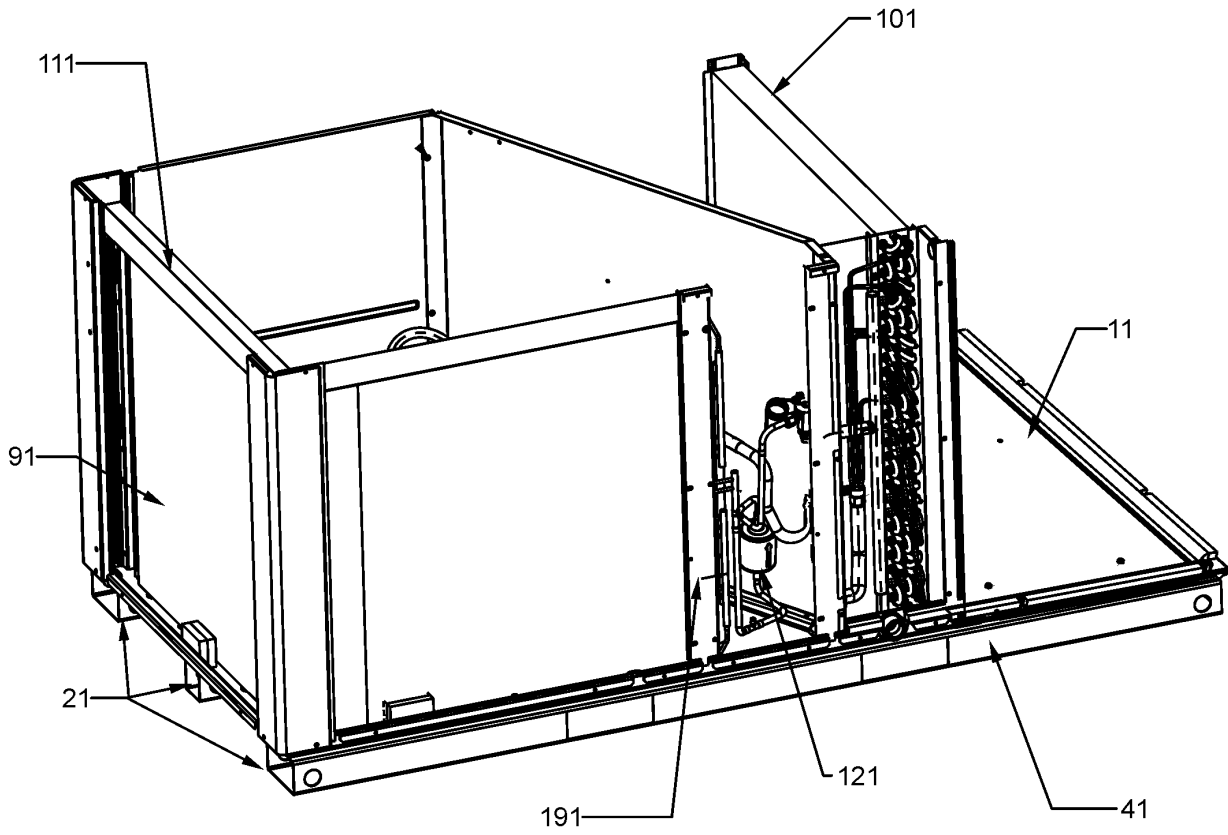
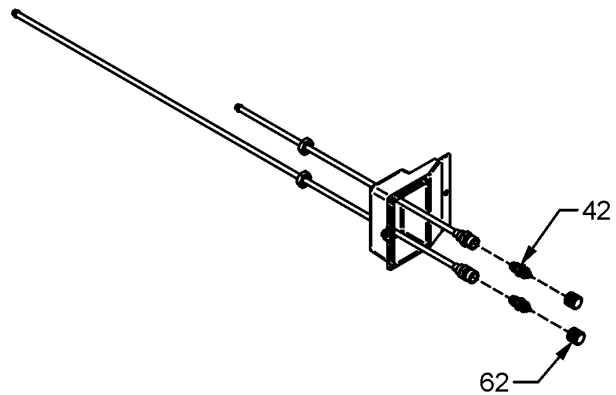


Image 2



Chassis Assembly

Ref. Part No:	No:	Description:	Ref. Part No:	No:	Description:
---------------	-----	--------------	---------------	-----	--------------

Image 1:

11	0121G00046P	BASE PAN
21	0121G00044PRF	BASEPAN RAIL (QTY 2)
41	0161G00000P	DRIP PAN
91	0201G00183	CONDENSER COIL ASSY (M2, M3)
91	0201G00308	CONDENSER COIL ASSY (M1)
101	0202G00733	EVAP COIL ASSY (M3)
101	0202G00708	EVAP COIL TUBING ASSY (M1)
101	0202G00710	EVAP COIL TUBING ASSY (M2)
111	0121G00368	CONDENSER COIL BLOCKOFF (M2, M3)
111	0121G00519	CONDENSER COIL BLOCKOFF (M1)
121	B1219212	SINGLE-FLOW FILTER DRIER, STEEL
191	0121G00045P	POST 27.5" (QTY 2)
NS	0128G00052	EVAP DRIP SHIELD
NS	0130M00074	HIGH PRESSURE SWITCH (M1)

Image 2:

42	B1373315	ACCESS FITTING (QTY 2)
62	0163M00175	CAP WITH O-RING (QTY 2)

Expanded Model Nomenclature

M1 - GPC1524H41AC
M2 - GPC1530H41AC
M3 - GPC1536H41BB

Compressor and Top Panel Assembly

Image 1

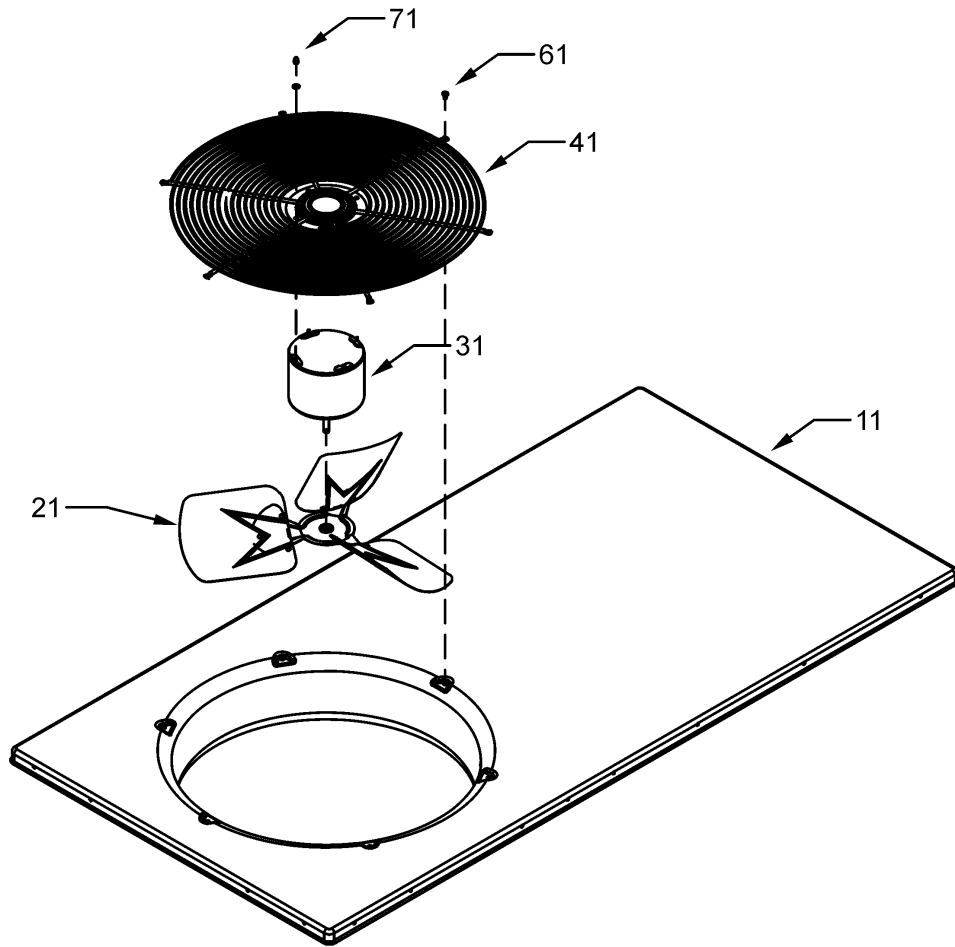
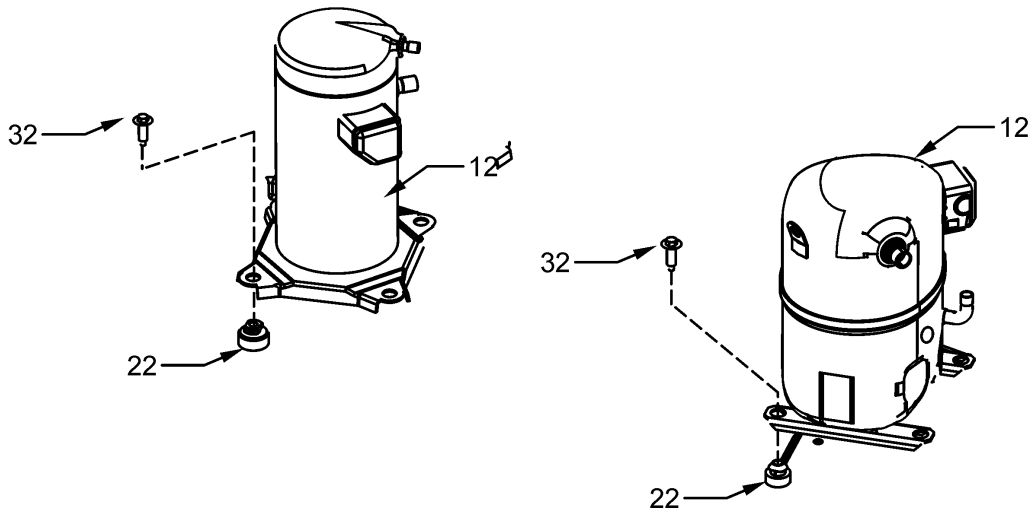


Image 2



Compressor and Top Panel Assembly

Ref. Part No:	No:	Description:	Ref. Part No:	No:	Description:
---------------	-----	--------------	---------------	-----	--------------

Image 1:

11	0121G00274DG	TOP PANEL PAINTED
21	B1086765	FAN BLADE TYPE 3 (M3)
21	0150M00055	FAN BLADE, 22" (M1, M2)
31	0131M00753	MOTOR, 1/6HP, 1SP, 8PL, AL (M1, M2)
31	0131M00951	Motor, OD, PSC, 1/4 HP (M3)
41	0152G00003	FAN GRILLE
61	M0221817	SMALL SCREW (QTY 4)
71	0163M00006P	ACORN NUT 5/16 HEX BLACK (QTY 4)
NS	0161G00016	CONDUIT PVC

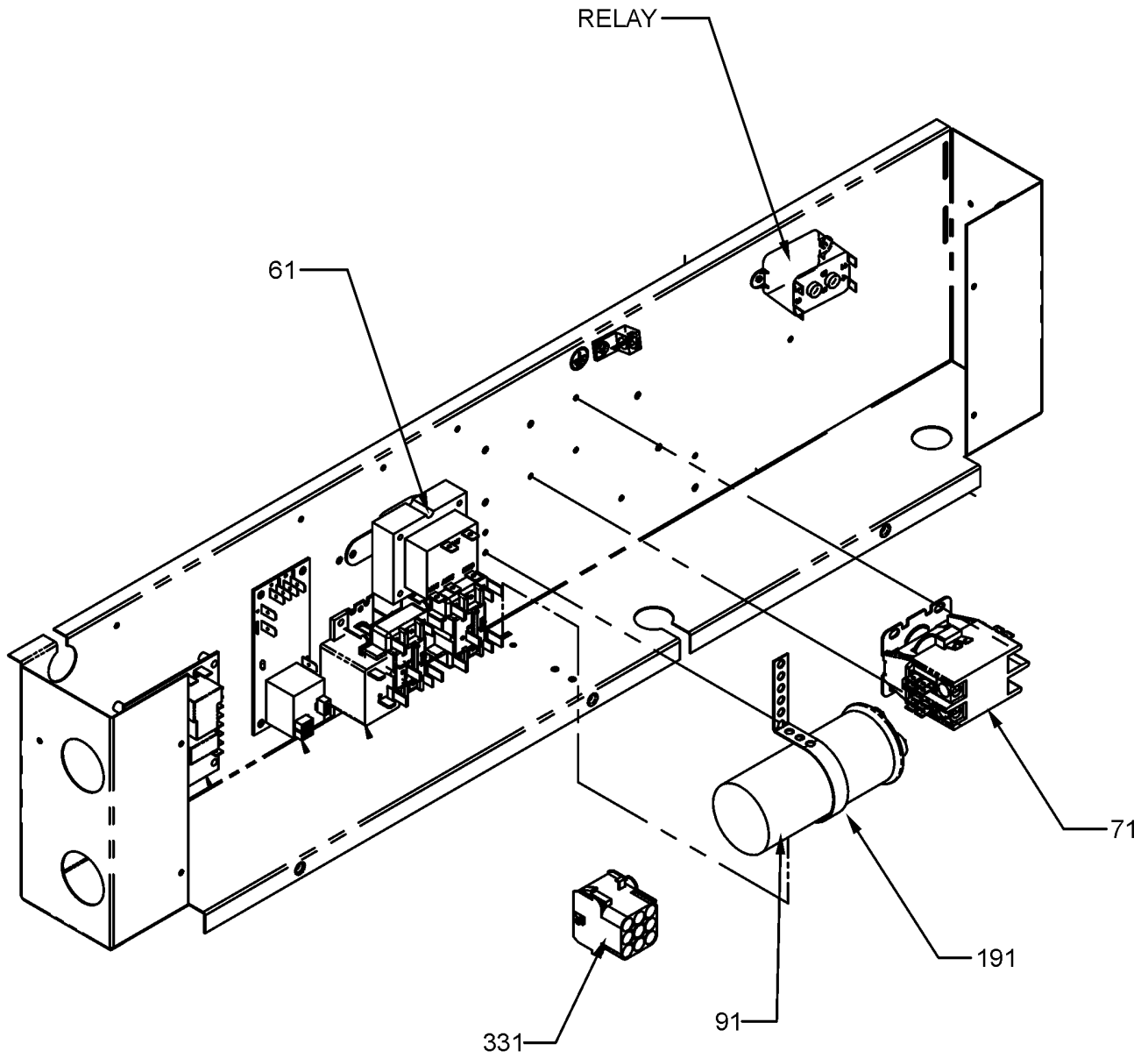
Image 2:

12	50N492ZV-ZAKM	2.0TONRECHI COMPR.4 LEGS (M1)
12	ZP25K5EPFV130	COMP,25200,208/230/60/1 (M2)
12	ZP29K5EPFV130	COMP,29000,208/230/60/1 (M3)
22	B1339533	COMPRESSOR GROMMET (M2, M3)
22	60140209	RECHI COMPRESSOR GROMMET (M1)
32	0163M00186	TF SHOULDER SCREW (M1)
32	M0221641	TF SHOULDER SCREW (M2, M3)
NS	0159G00004	COMPRESSOR SCROLL HARNESS (M2, M3)
NS	60100317	TERMINAL COVER (M1)
NS	60100107	TERMINAL COVER GASKET (M1)
NS	60100401	TERMINAL NUT - RECHI COMPRESSOR (M1)
NS	60100201	WASHER - RECHI COMPRESSOR (M1)

Expanded Model Nomenclature

M1 - GPC1524H41AC
M2 - GPC1530H41AC
M3 - GPC1536H41BB

Control Box Assembly



Control Box Assembly

Ref. Part No:	No:	Description:	Ref. Part No:	No:	Description:
---------------	-----	--------------	---------------	-----	--------------

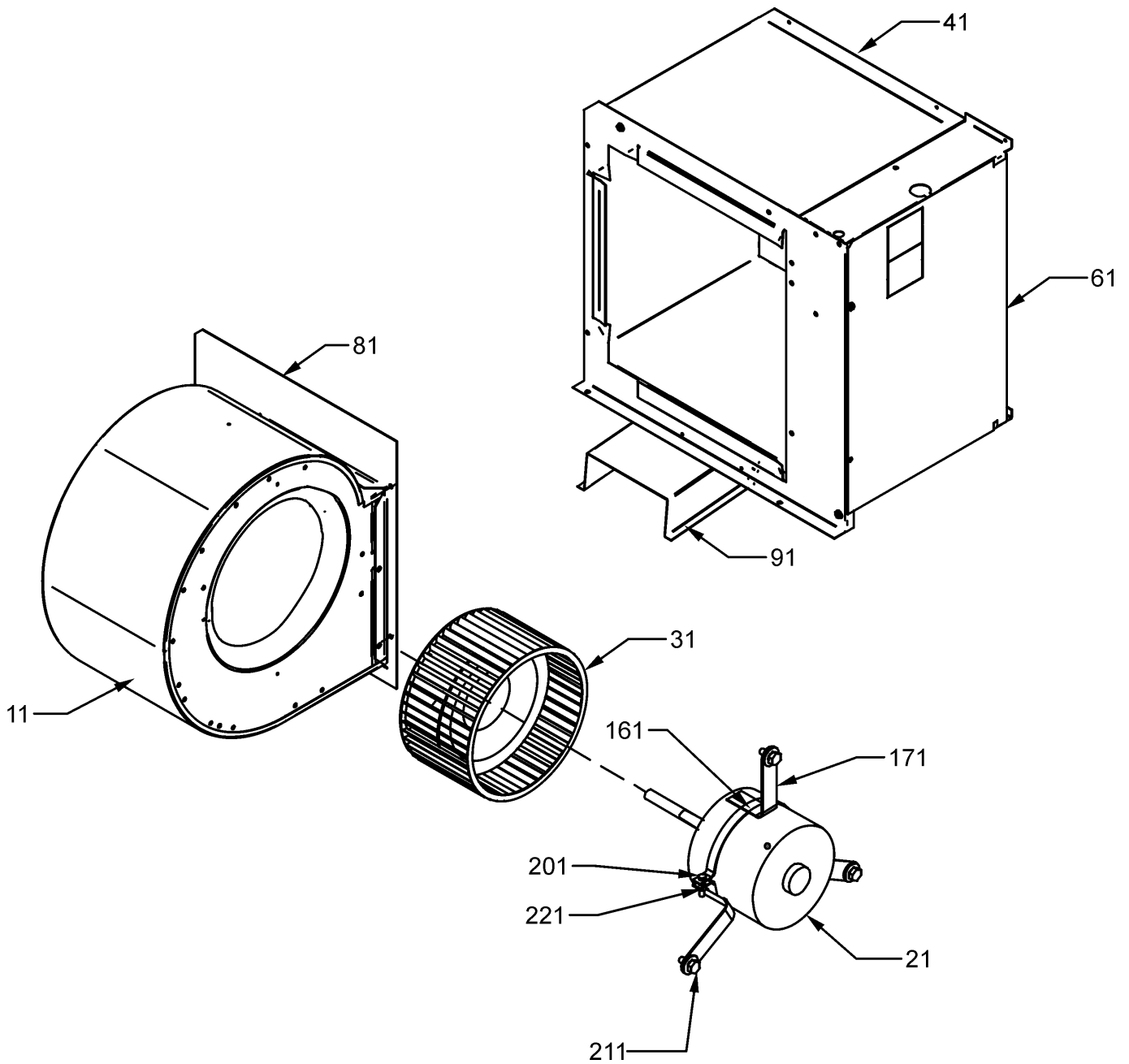
Image 1:

61	0130M00138	TRANSFORMER, 208/230, 24V
71	CONT1P025024V	CONTACTOR 25 AMP, 1P, 24V
91	CAP050450440CT	CAP, 5/45 MFD/440V/DUAL RD (M1, M3)
91	CAP050400440CT	CAPACITOR 5/40/440V/DUAL RD (M2)
191	20520901	CAPACITOR STRAP
331	0259G00021	WIRE HARNESS, ELECTRIC HEAT

Expanded Model Nomenclature

M1 - GPC1524H41AC
M2 - GPC1530H41AC
M3 - GPC1536H41BB

Blower Assembly



Blower Assembly

Ref. Part No:	No:	Description:	Ref. Part No:	No:	Description:
---------------	-----	--------------	---------------	-----	--------------

Image 1:

11	10324248	HSG WELD- 10X8 BWR
21	0131M00750M	CONTROLLERLESS MOTOR
21	0131M00488	PROGRAMMED CONTROLLER (M1)
21	0131M00490	PROGRAMMED CONTROLLER (M2)
21	0131M00597	PROGRAMMED CONTROLLER (M3)
31	B1368016	BLOWER WHEEL 10 X 8
41	0270G00025P	TRANSITION DUCT ASSY-ALL
61	0121G00726	PL, HK COVER
81	0121G00035P	BLOWER MOUNT 10 X 8
91	0121G00040P	BLOWER SUPPORT
161	0121M00038	MOTOR MOUNT BAND
171	B1376853	MOTOR MOUNT ARM (QTY 3)
201	B1393323	MACHINE SCREW HWH 1/4-20 X 1-1/2 BZ
211	M0250565	TC SCREW 1.25" (QTY 3)
221	B1393800	LOCKNUT, NYLON, INSERT 1/4, 20
NS	C6121810	BLOWER CUT-OFF

Expanded Model Nomenclature

M1 - GPC1524H41AC
M2 - GPC1530H41AC
M3 - GPC1536H41BB