



REPAIR PARTS

GPC14 Multi-Position Residential Package Cooling Unit

GPC1436M41BA



This manual is to be used by qualified technicians only.

© 2018 Goodman Manufacturing Company, L.P. ♦ 5151 San Felipe St, Suite 500 ♦ Houston, TX 77056

Important Information

Index

Functional Parts List	3
Illustration and Parts	4 - 9

Views shown are for parts illustrations only, not servicing procedures.

Text Codes:

AR - As Required

NA - Not Available

NS - Not Shown

00000000 - See Note

QTY - Quantity Example (QTY 3) (If Quantity not shown, Quantity = 1)

M - Model Example (M1) (If M Code not shown, then part is used on all Models)

Expanded Model Nomenclature:

Example M1 - Model#1 M2 - Model#2 M3 - Model#3

Goodman Manufacturing Company, L.P. is not responsible for personal injury or property damage resulting from improper service. Review all service information before beginning repairs.

Warranty service must be performed by an authorized technician, using authorized factory parts. If service is required after the warranty expires, Goodman Manufacturing Company, L.P. also recommends contacting an authorized technician and using authorized factory parts.

Goodman Manufacturing Company, L.P. reserves the right to discontinue, or change at any time, specifications or designs without notice or without incurring obligations.

For assistance within the U.S.A. contact:
Homeowner Support
Goodman Manufacturing Company, L.P.
19001 Kermier Road
Waller, Texas 77484
877-254-4729-Telephone
713-863-2382-Facsimile

For assistance outside the U.S.A. contact:
International Division
Goodman Manufacturing Company, L.P.
19001 Kermier Road
Waller, Texas 77484
713-861-2500-Telephone
713-863-2382-Facsimile

Functional Parts

Part

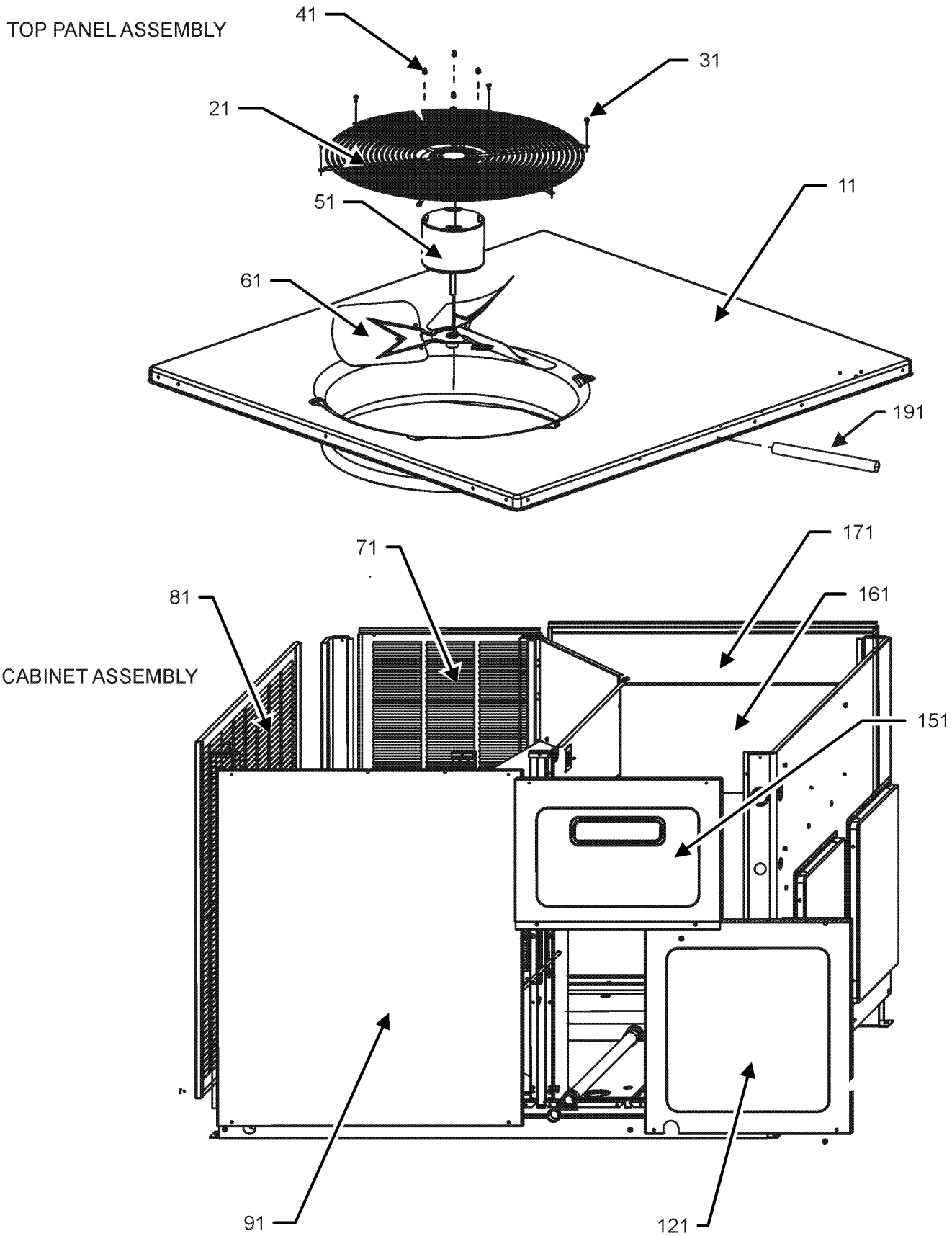
No: Description:

55N732GT-ZAKM	3 TON RECHI COMP, 4 LEGS
D6723303	BLOWER WHEEL
CAP050400440CT	CAPACITOR 5/40/440V/DUAL RD
CONT1P025024V	CONTACTOR 25 AMP, 1P, 24V
0150G00002	FAN BLADE SWEPT-WING
0130M00074	HIGH PRESSURE SWITCH
0131M00847	MOTOR, 1/4 HP, 1 SP, 6 PL
0131G00049	PROGRAMMED MOTOR
0130M00138	TRANSFORMER, 208/230, 24V

Expanded Model Nomenclature

M1 - GPC1436M41BA

TOP PANEL AND CABINET ASSEMBLY



TOP PANEL AND CABINET ASSEMBLY

Ref. Part No:	No:	Description:	Ref. Part No:	No:	Description:
---------------	-----	--------------	---------------	-----	--------------

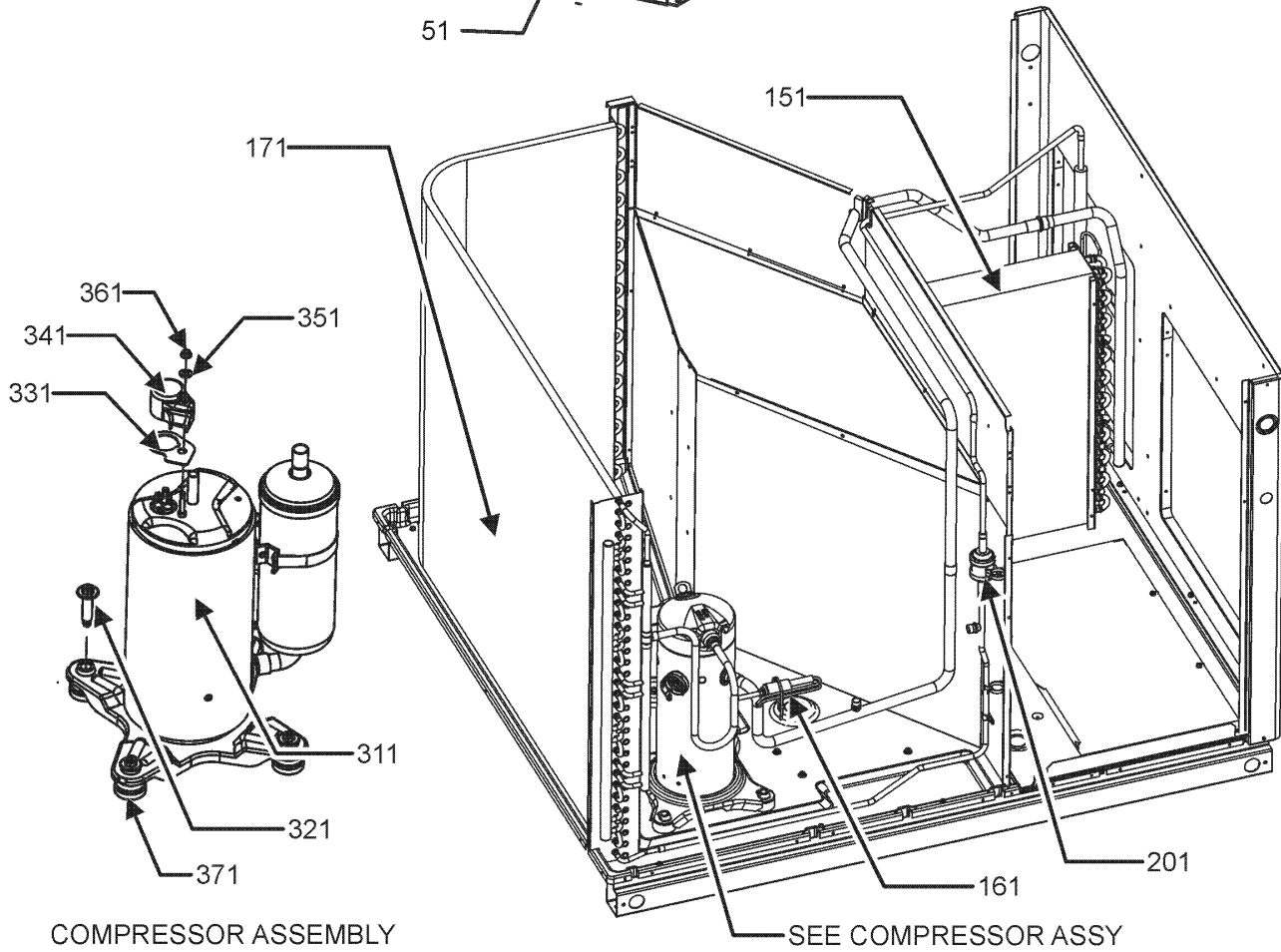
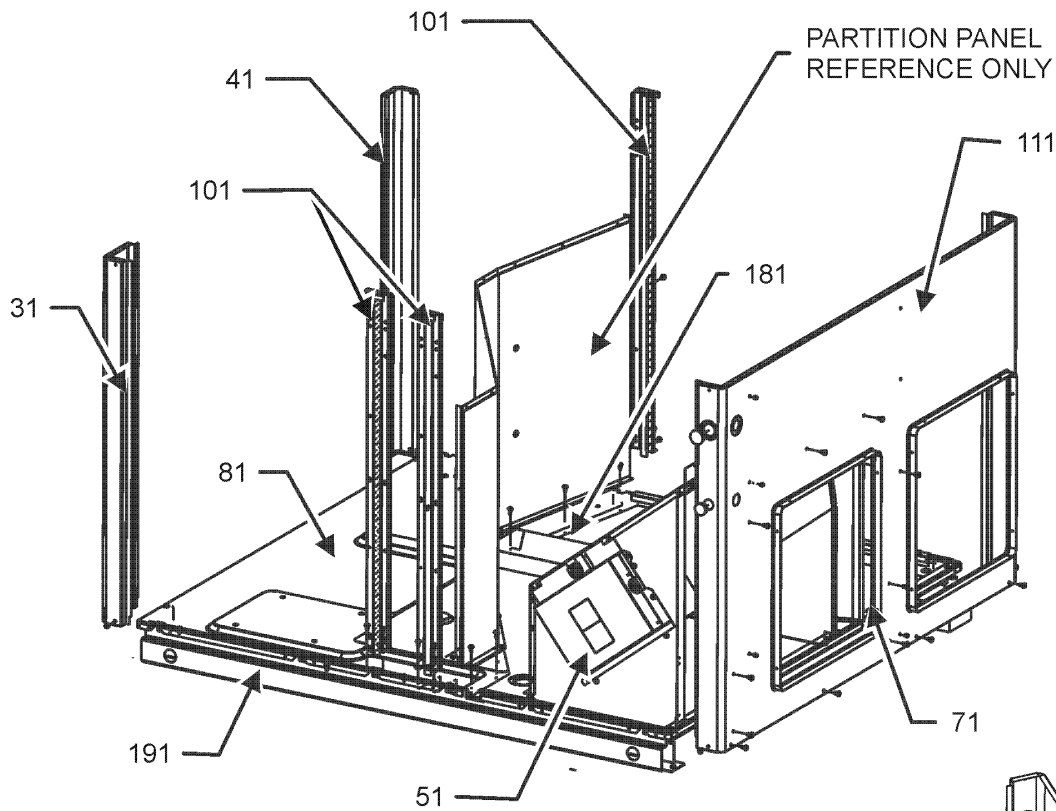
Image 1:

11	0121G00156PDG	PNL, TOP, PNT
21	0152G00000	FAN GRILLE, RAISED
31	M0221817	SMALL SCREW (QTY 6)
41	0163M00006P	ACORN NUT 5/16 HEX BLACK (QTY 4)
51	0131M00847	MOTOR, 1/4 HP, 1 SP, 6 PL
61	0150G00002	FAN BLADE SWEPT-WING
71	0121G00465DG	PANEL, COND SIDE 32"
81	0121G00728DG	PANEL-COND LOUVERED 32
91	0121G00662DG	COMPRESSOR PANEL
121	0121G00165PDG	PNL, BLO, CNVRT, 32.5", PNT
151	0121G00213DG	CONTROL BOX PANEL
161	0121G00592	BLK-OFF, EVAP, TOP, CNVRT
171	20464801PDG	BLOWER DOOR 32"
191	17788000083F	PVC CONDUIT 8.25"
NS	0121G00727	CHANNEL-LOUVER PANEL
NS	0121G00235	FAN BAFFLE
NS	0164G00005	GROMMET-HORSESHOE 1.675

Expanded Model Nomenclature

M1 - GPC1436M41BA

PARTITION PANEL AND TUBING ASSEMBLY



PARTITION PANEL AND TUBING ASSEMBLY

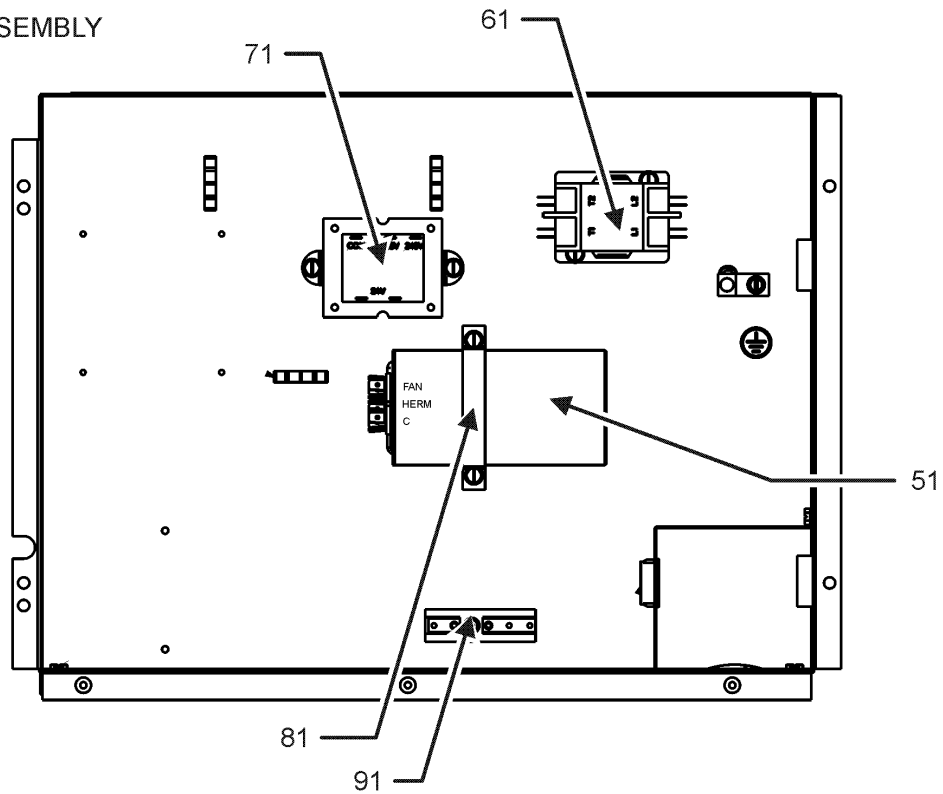
Ref. Part No:	No:	Description:	Ref. Part No:	No:	Description:
Image 1:					
31	0121G00453DG	CORNER-POST COMP END			
41	0121G00454DG	CORNER-POST HPIN END			
51	0121G00725	COVER, HK (QTY 2)			
71	0121G00362	EVAP BLOCK OFF			
81	0121G00444	BASEPAN, PACKAGE			
101	0121G00460	POST-SUPPORT, SIDE (QTY 2)			
111	0121G00800DG	PNL, DUCT, CNVRT, 32.5" PNT			
151	0202G00573	EVAP COIL ASSY			
161	0130M00074	HIGH PRESSURE SWITCH			
171	0201G00249	COND COIL TUBING ASSY			
181	0161G00003	PLASTIC DRIP PAN			
191	0121G00290	BASE PAN RAIL (QTY 2)			
201	B1219212	SINGLE-FLOW FILTER DRIER, STEEL			
311	55N732GT-ZAKM	3 TON RECHI COMP, 4 LEGS			
321	0163M00186	TF SHOULDER SCREW (QTY 4)			
331	60100107	TERMINAL COVER GASKET			
341	60100317	TERMINAL COVER			
351	60100201	WASHER - RECHI COMPRESSOR			
361	60100401	TERMINAL NUT - RECHI COMP			
371	60160414	GROMMET, RECHI COMP (QTY 4)			
NS	0121G00509	DRIP SHIELD			
NS	0121G00235	FAN BAFFLE			

Expanded Model Nomenclature

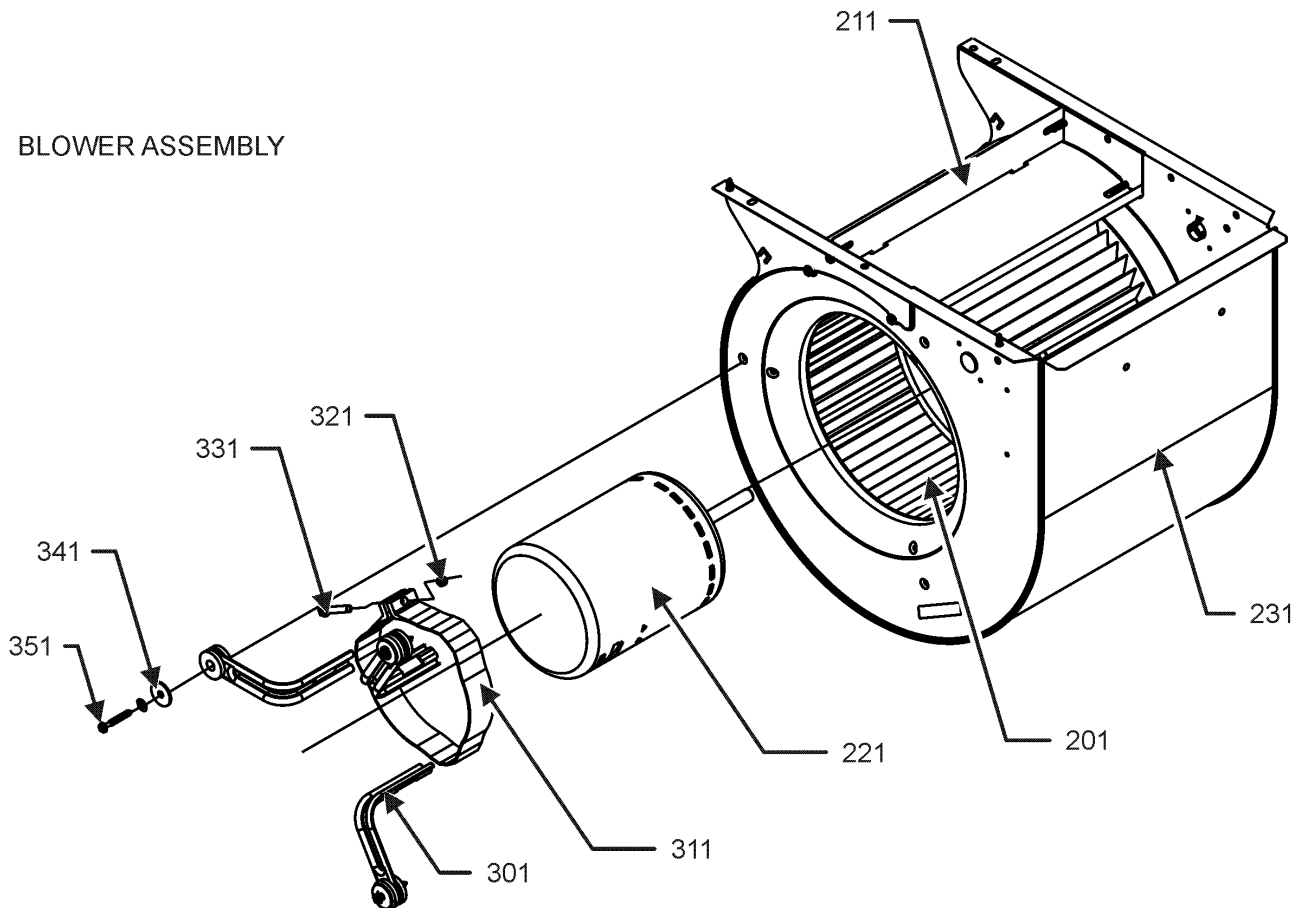
M1 - GPC1436M41BA

CONTROL BOX AND BLOWER ASSEMBLY

CONTROL BOX ASSEMBLY



BLOWER ASSEMBLY



CONTROL BOX AND BLOWER ASSEMBLY

Ref. Part No:	No:	Description:	Ref. Part No:	No:	Description:
---------------	-----	--------------	---------------	-----	--------------

Image 1:

51	CAP050400440CT	CAPACITOR 5/40/440V/DUAL RD
61	CONT1P025024V	CONTACTOR 25 AMP, 1P, 24V
71	0130M00138	TRANSFORMER, 208/230, 24V
81	20520901	CAPACITOR STRAP
91	802007090	TERM BOARD
201	D6723303	BLOWER WHEEL
211	764742	BLOWER BLOCK-OFF
221	0131G00049	PROGRAMMED MOTOR
231	0271G00024	BLOWER HOUSING ASSY 10 X 9
301	B1376857	MOTOR MOUNT ARM (QTY 3)
311	0121M00038	MOTOR MOUNT BAND
321	B1393800	LOCKNUT, NYLON, INSERT 1/4, 20
331	B1393323	MACHINE SCREW HWH 1/4-20 X 1-1/2 BZ
341	B1392918	WASHER, FLAT 1/4 ID X 1 OD (QTY 3)
351	M0250565	TC SCREW 1.25" (QTY 3)
NS	0259G00148	12-PIN FEMALE HARNESS
NS	0259G00155	BLOWER HARNESS
NS	0259G00181	WIRE HARNESS ASSY

Expanded Model Nomenclature

M1 - GPC1436M41BA