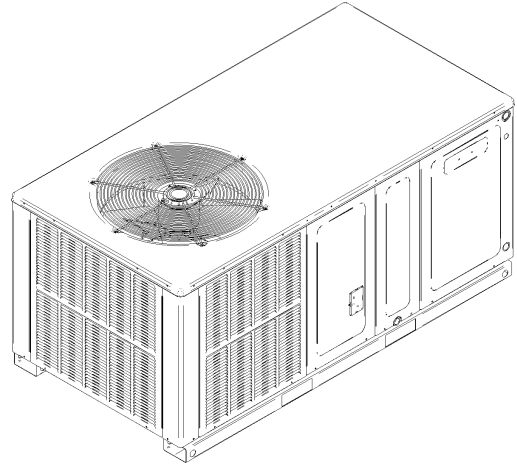

GPC14 Horizontal Package Cooling Unit [EXPORT]

GPC1436H4CAA
GPC1436H4DAA
GPC1448H4CAA
GPC1448H4DAA



This manual is to be used by qualified technicians only.

© 2015 , 2019 Goodman Manufacturing Company, L.P. ♦ 5151 San Felipe St, Suite 500 ♦ Houston, TX 77056

Important Information

Index

Functional Parts List	3
Illustration and Parts	4 - 13

Views shown are for parts illustrations only, not servicing procedures

Residential EXPORT models

Text Codes:

AR - As Required

NA - Not Available

NS - Not Shown

00000000 - See Note

QTY - Quantity Example (QTY 3) (If Quantity not shown, Quantity = 1)

M - Model Example (M1) (If M Code not shown, then part is used on all Models)

Expanded Model Nomenclature:

Example M1 - Model#1 M2 - Model#2 M3 - Model#3

Goodman Manufacturing Company, L.P. is not responsible for personal injury or property damage resulting from improper service. Review all service information before beginning repairs.

Warranty service must be performed by an authorized technician, using authorized factory parts. If service is required after the warranty expires, Goodman Manufacturing Company, L.P. also recommends contacting an authorized technician and using authorized factory parts.

Goodman Manufacturing Company, L.P. reserves the right to discontinue, or change at any time, specifications or designs without notice or without incurring obligations.

For assistance within the U.S.A. contact:
Homeowner Support
Goodman Manufacturing Company, L.P.
19001 Kermier Road
Waller, Texas 77484
877-254-4729-Telephone
713-863-2382-Facsimile

For assistance outside the U.S.A. contact:
International Division
Goodman Manufacturing Company, L.P.
19001 Kermier Road
Waller, Texas 77484
713-861-2500-Telephone
713-863-2382-Facsimile

Functional Parts

Part

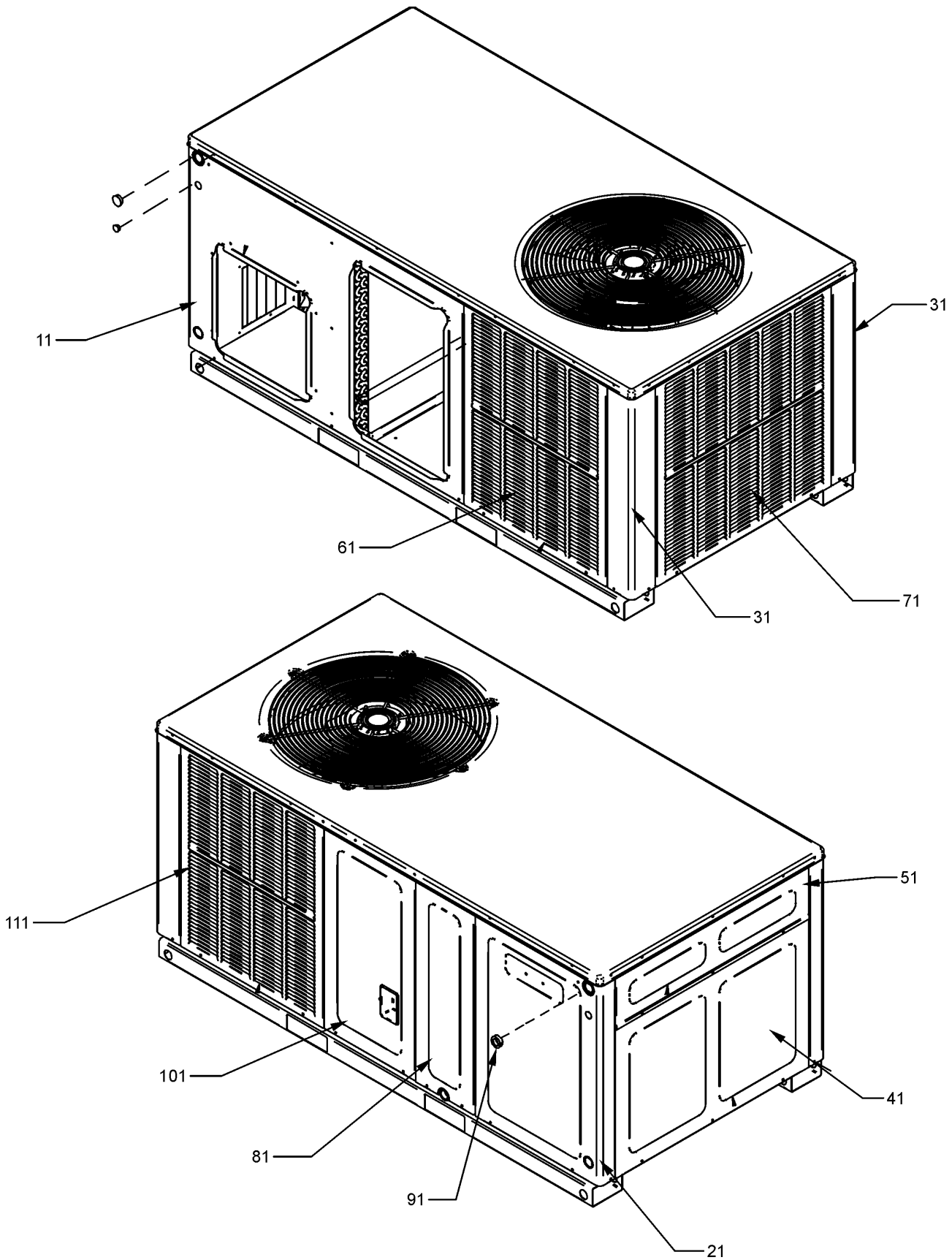
No: Description:

CAP050800440CTE	CAPACITOR (M3)
0131M00748	0.5 HP BROAD OCEAN MOTOR (M2)
0131M00742	1 HP Broad Ocean motor (M4)
B1368016	BLOWER WHEEL 10 X 8
CAP050000370LA	CAP, 5 MFD/370V/OVAL (M2)
CAP050600440CTE	CAP, 5/60 MFD/440V/DUAL RD (M1)
CAP075000370LAE	CAP, 7.5 MFD/370V/OVAL (M4)
0130R00047	CE TRANSFORMER (M1, M3)
ZP44K5ETFD130	COMP 44000, 460/60/3 (M4)
ZP44K5EPFJ130	COMP COPELAND 200/240/50/1 (M3)
ZP39K5ETFD130	COMP, 39000, 460/60/3 (M2)
ZP36K5EPFJ130	COMPRESSOR (M1)
0131M00642	COND MOTOR 1/3 HP, 460V, 60 CYCLE (M4)
CONT1P025024V	CONTACTOR 25 AMP, 1P, 24V (M1)
CONT1P030024V	CONTACTOR 30 AMP, 1P, 24V (M3)
CONT3P040024V	CONTACTOR 40 AMP, 3P, 24V (M2, M4)
0150G00004	FAN BLADE
0131M00750	MOTOR 1/2 HP 230V (M1)
0131M00747	MOTOR 3/4 HP 230V X 13 TYPE (M3)
0131M00847	MOTOR, 1/4 HP, 1 SP, 6 PL (M1, M3)
0131M00641	MOTOR, 380/460 50/60 CYCLE (M2)
0130M00081	TRANSFORMER 380V, 75VA, RESETT (M2, M4)

Expanded Model Nomenclature

M1 - GPC1436H4CAA
M2 - GPC1436H4DAA
M3 - GPC1448H4CAA
M4 - GPC1448H4DAA

Cabinet Assembly



Cabinet Assembly

Ref. Part No:	Ref. Part No:	Description:	Description:
---------------	---------------	--------------	--------------

Image 1:

11	0121G00670NG	PNL, DUCT 27.5" (M1, M2)
11	0121G00668NG	PNL, DUCT, 32.5" (M3, M4)
21	0121G00664NG	PNL, CORNER, 27.5" (M1, M2)
21	0121G00665NG	PNL, CORNER, 32.5" (M3, M4)
31	0121G00047NG	CORNER POST 27.5" (M1, M2)
31	0121G00048NG	CORNER POST 32.5" (M3, M4)
41	0121G00271	PNL, EXT BLOWER, 27.5" (M1, M2)
41	0121G00272	PNL, EXT BLOWER, 32.5" (M3, M4)
51	0121G00276NG	EXTERNAL CONTROL BOX PANEL
61	0121G00069NG	PNL, LVR, 27.5" 4BANK (M1, M2)
61	0121G00070NG	PNL, LVR, 32.5" 4BANK (M3, M4)
71	0121G00072NG	PNL, LVR, 27.5" 5BANK (M1, M2)
71	0121G00073NG	PNL, LVR, 32.5" 5BANK (M3, M4)
81	0121G00065NG	PNL, EVAP, 8.75" X 27.5" (M1, M2)
81	0121G00066NG	PNL, EVAP, 8.75" X 32.5" (M3, M4)
91	B1392012	GROMMET / HS 1.0 - .79
101	0121G00059NG	PNL, COMP, 8.75" X 27.50" (M1, M2)
101	0121G00060NG	PNL, COMP, 8.75" X 32.50" (M3, M4)
111	0121G00069NG	PNL, LVR, 27.5" 4BANK (M1, M2)
111	0121G00070NG	PNL, LVR, 32.5" 4BANK (M3, M4)

Expanded Model Nomenclature

- | |
|-------------------|
| M1 - GPC1436H4CAA |
| M2 - GPC1436H4DAA |
| M3 - GPC1448H4CAA |
| M4 - GPC1448H4DAA |

Chassis Assembly

Image 1

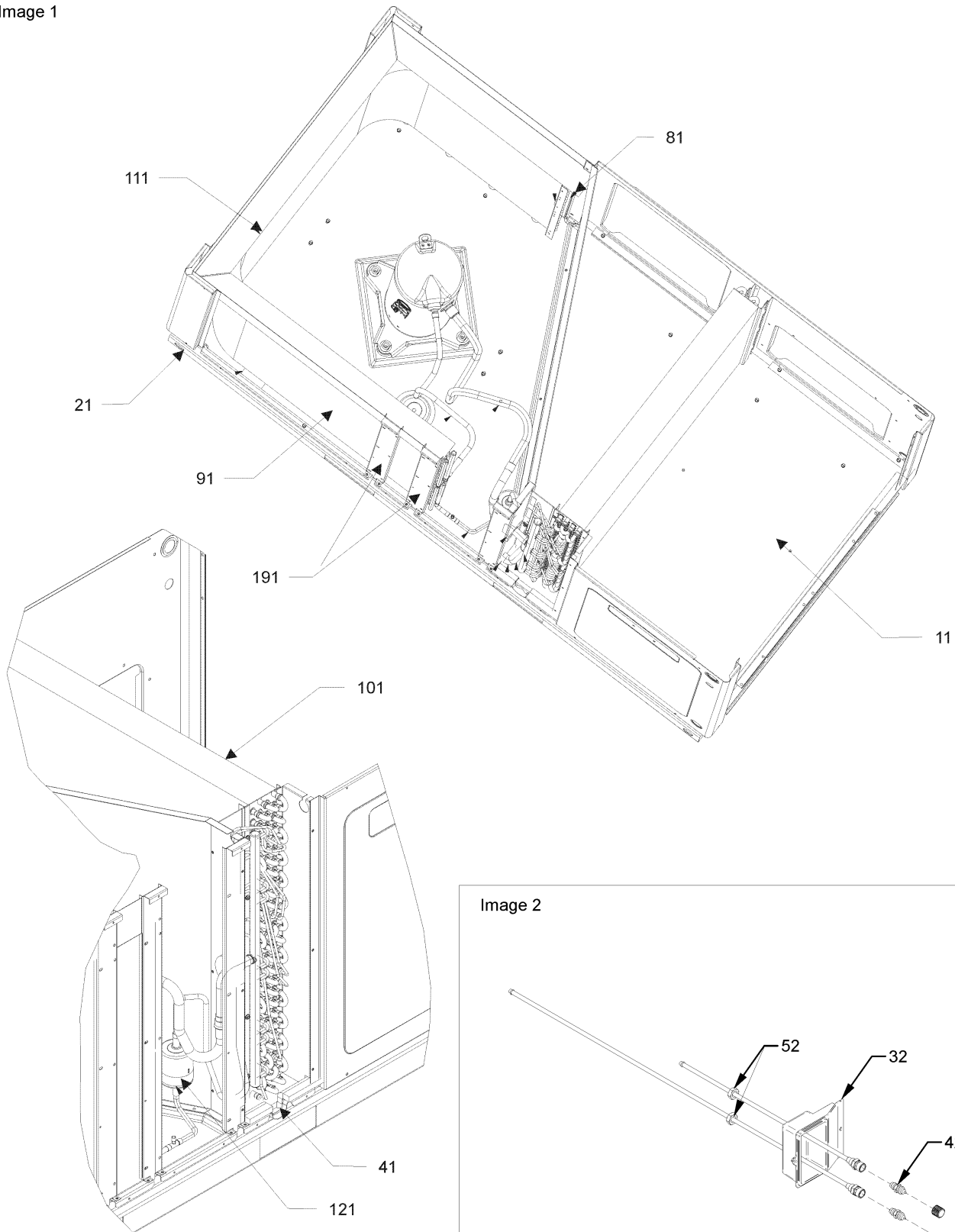
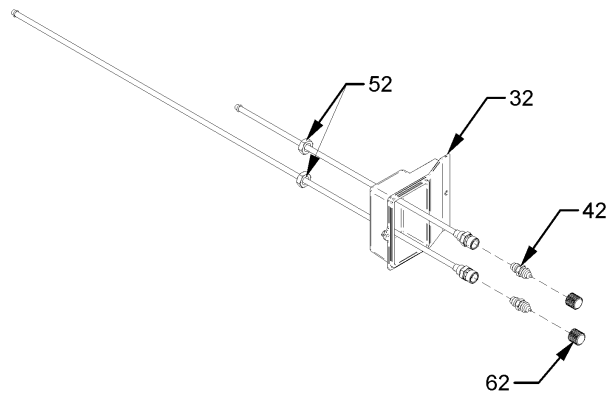


Image 2



Chassis Assembly

Ref. Part No:	Part No:	Description:	Ref. Part No:	Part No:	Description:
---------------	----------	--------------	---------------	----------	--------------

Image 1:

11	0121G00046P	PAN,BASE			
21	0121G00044PRF	BASEPAN RAIL (QTY 2)			
41	0161G00000P	PAN, DRIP			
81	0121G00566	BLOCKOFF-COND POST (M3, M4)			
81	0121G00625	BLOCKOFF-COND, POST (M1, M2)			
91	0201G00356	COND COIL ASSY (M3, M4)			
91	0201G00407	COND COIL ASSY (M1, M2)			
101	0202G00702	EVAP COIL ASSY (M4)			
101	0202G00711	EVAP COIL ASSY (M3)			
101	0202G00716	EVAP COIL ASSY (M1, M2)			
111	0121G00372	CONDENSER COIL BLOCKOFF (M3, M4)			
111	0121G00624	CONDENSER COIL BLOCKOFF (M1, M2)			
121	B1219225	SINGLE-FLOW FILTER DRIER, STEEL			
191	0121G00628	POST- SIDE 27.5" (M1, M2)			
191	0121G00565	POST- SIDE 32.5" (M3, M4)			
NS	0128G00052	EVAP DRIP SHIELD			
NS	0162M00298	FLOWRATOR, AL (M3)			
NS	0162M00305	FLOWRATOR, AL (M4)			
NS	0162M00312	FLOWRATOR, AL (M1, M2)			

Image 2:

32	0161G00008	ACCESS-FITTING BOX			
42	B1373315	ACCESS FITTING (QTY 2)			
52	0163G00000P	FASTEST FITTING NUT (QTY 2)			
62	0163M00175	CAP WITH O-RING (QTY 2)			

Expanded Model Nomenclature

- | |
|-------------------|
| M1 - GPC1436H4CAA |
| M2 - GPC1436H4DAA |
| M3 - GPC1448H4CAA |
| M4 - GPC1448H4DAA |

Compressor and Top Panel Assembly

Image 1

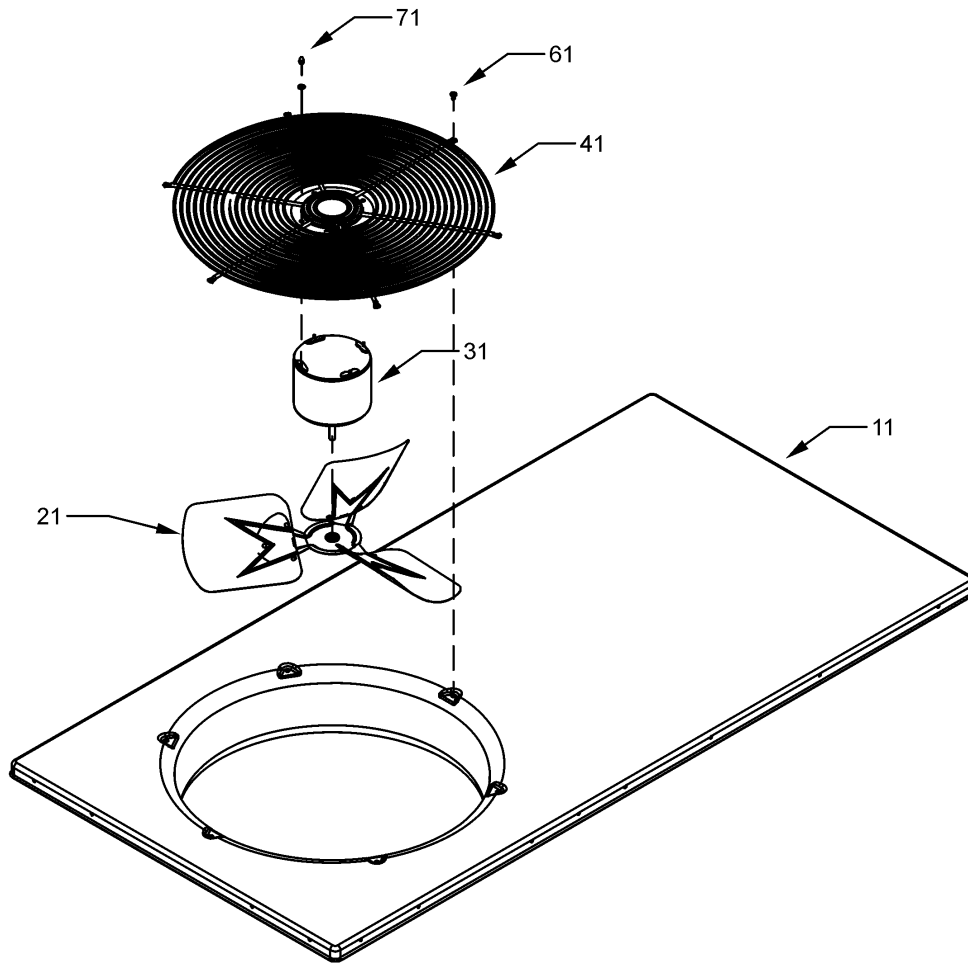
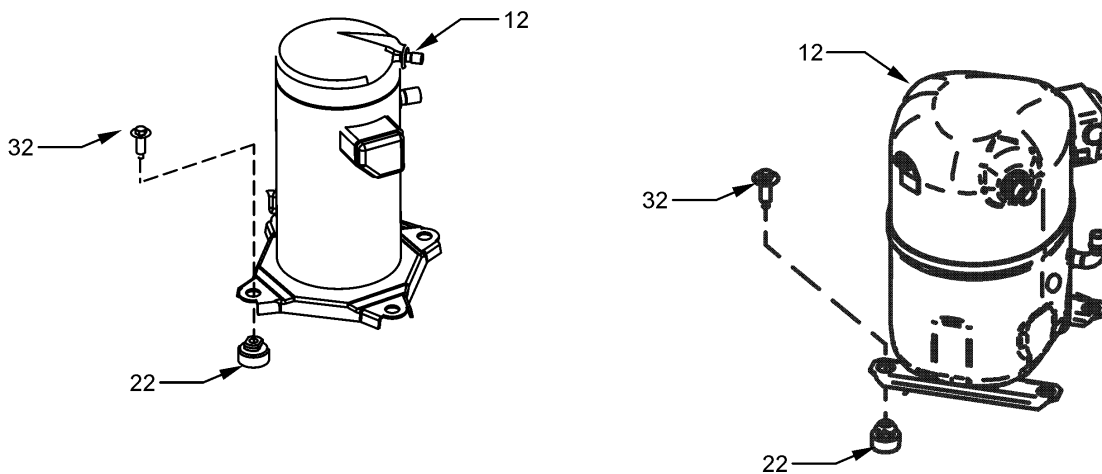


Image 2



Compressor and Top Panel Assembly

Ref. Part No:	Part No:	Description:	Ref. Part No:	Part No:	Description:
---------------	----------	--------------	---------------	----------	--------------

Image 1:

11	0121G00274NG	TOP PANEL PAINTED
21	0150G00004	FAN BLADE
31	0131M00642	COND MOTOR 1/3 HP, 460V, 60 CYCLE (M4)
31	0131M00847	MOTOR, 1/4 HP, 1 SP, 6 PL (M1, M3)
31	0131M00641	MOTOR, 380/460 50/60 CYCLE (M2)
41	0152G00003	FAN GRILLE
61	M0221817	SMALL SCREW (QTY 4)
71	0163M00006P	ACORN NUT 5/16 HEX BLACK (QTY 4)
NS	0161G00016	CONDUIT PVC

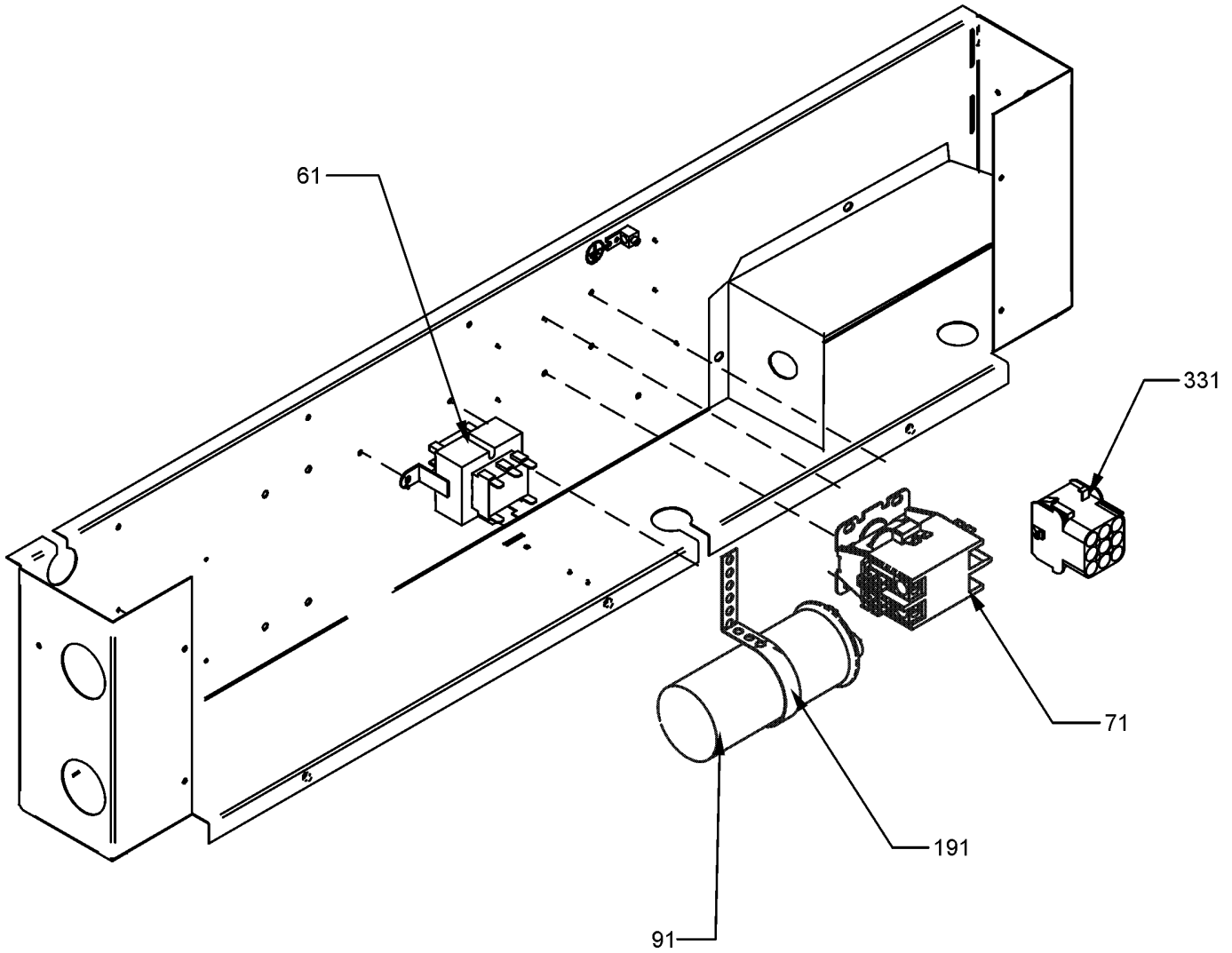
Image 2:

12	ZP44K5ETFD130	COMP 44000, 460/60/3 (M4)
12	ZP44K5EPFJ130	COMP COPELAND 200/240/50/1 (M3)
12	ZP39K5ETFD130	COMP, 39000, 460/60/3 (M2)
12	ZP36K5EPFJ130	COMPRESSOR (M1)
22	B1339533	COMPRESSOR GROMMET (QTY 4)
32	M0221641	TF SHOULDER SCREW (QTY 4)
NS	0159L00066	Harness, comp scroll (M2, M4)
NS	0159G00004	HARNESS-COMP SCROLL (M1, M3)

Expanded Model Nomenclature

M1 - GPC1436H4CAA
M2 - GPC1436H4DAA
M3 - GPC1448H4CAA
M4 - GPC1448H4DAA

Control Box Assembly



Control Box Assembly

Ref. Part No:	No:	Description:	Ref. Part No:	No:	Description:
---------------	-----	--------------	---------------	-----	--------------

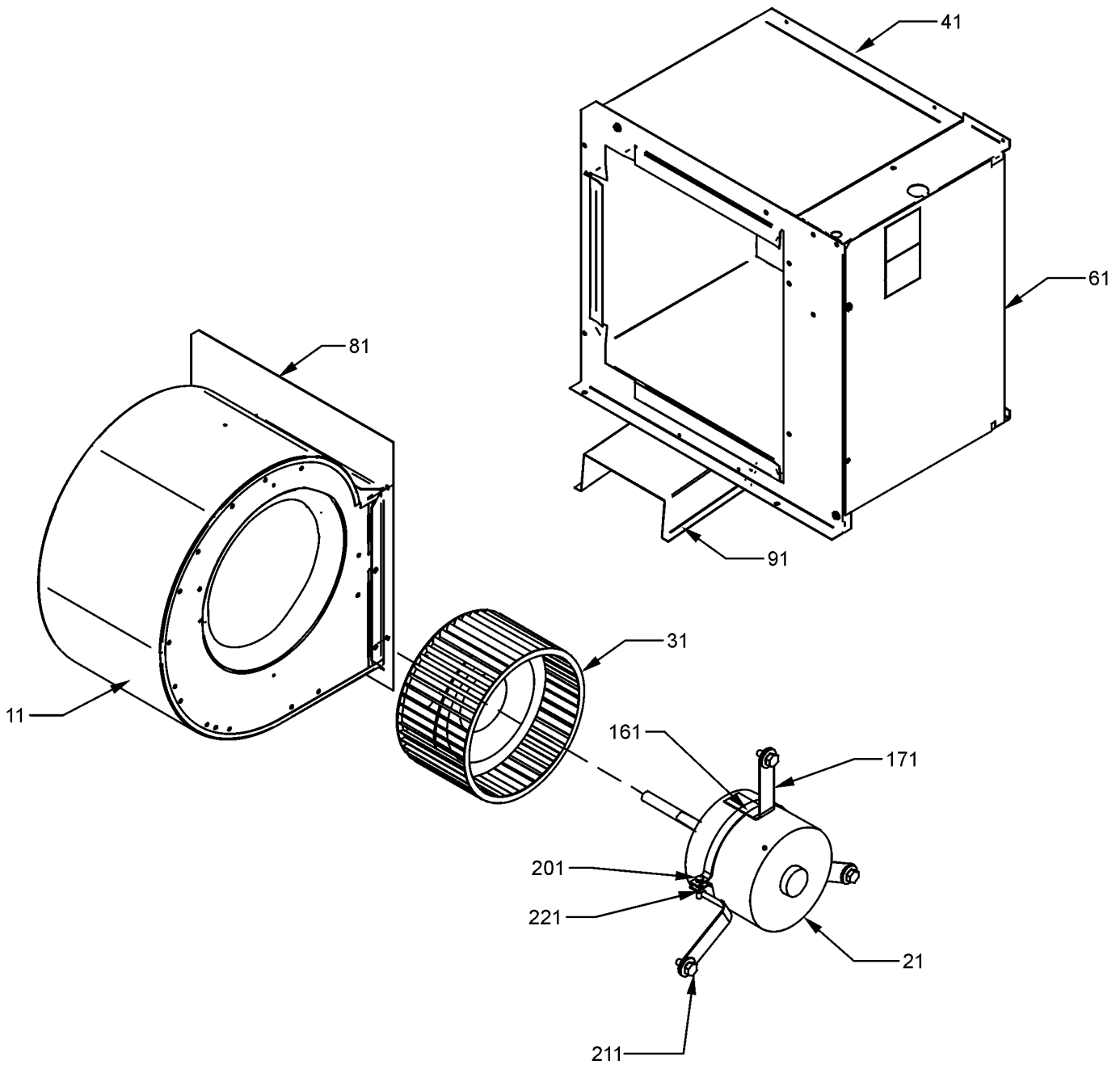
Image 1:

61	0130R00047	CE TRANSFORMER (M1, M3)
61	0130M00081	TRANSFORMER 380V, 75VA, RESETT (M2, M4)
71	CONT1P025024V	CONTACTOR 25 AMP, 1P, 24V (M1)
71	CONT1P030024V	CONTACTOR 30 AMP, 1P, 24V (M3)
71	CONT3P040024V	CONTACTOR 40 AMP, 3P, 24V (M2, M4)
91	CAP050800440CTE	CAPACITOR (M3)
91	CAP050000370LA	CAP, 5 MFD/370V/OVAL (M2)
91	CAP050600440CTE	CAP, 5/60 MFD/440V/DUAL RD (M1)
91	CAP075000370LAE	CAP, 7.5 MFD/370V/OVAL (M4)
191	20520901	CAPACITOR STRAP
331	0259G00021	WIRE HARNESS, ELECTRIC HEAT

Expanded Model Nomenclature

M1 - GPC1436H4CAA
M2 - GPC1436H4DAA
M3 - GPC1448H4CAA
M4 - GPC1448H4DAA

Blower Assembly



Blower Assembly

Ref. Part No:	No:	Description:	Ref. Part No:	No:	Description:
---------------	-----	--------------	---------------	-----	--------------

Image 1:

11	10324248	HSG WELD- 10X8 BWR
21	0131M00748	0.5 HP BROAD OCEAN MOTOR (M2)
21	0131M00742	1 HP Broad Ocean motor (M4)
21	0131M00750	MOTOR 1/2 HP 230V (M1)
21	0131M00747	MOTOR 3/4 HP 230V X 13 TYPE (M3)
31	B1368016	BLOWER WHEEL 10 X 8
41	0270G00025P	TRANSITION DUCT ASSY-ALL
61	0121G00726	PL, HK COVER
81	0121G00035P	BLOWER MOUNT 10 X 8
91	0121G00040P	BLOWER SUPPORT
161	0121M00038	MOTOR MOUNT BAND
171	B1376853	MOTOR MOUNT ARM (QTY 3)
201	B1393323	MACHINE SCREW HWH 1/4-20 X 1-1/2 BZ
211	M0250565	TC SCREW 1.25" (QTY 3)
221	B1393800	LOCKNUT, NYLON, INSERT 1/4, 20
NS	C6121810	BLOWER CUT-OFF

Expanded Model Nomenclature

M1 - GPC1436H4CAA
M2 - GPC1436H4DAA
M3 - GPC1448H4CAA
M4 - GPC1448H4DAA