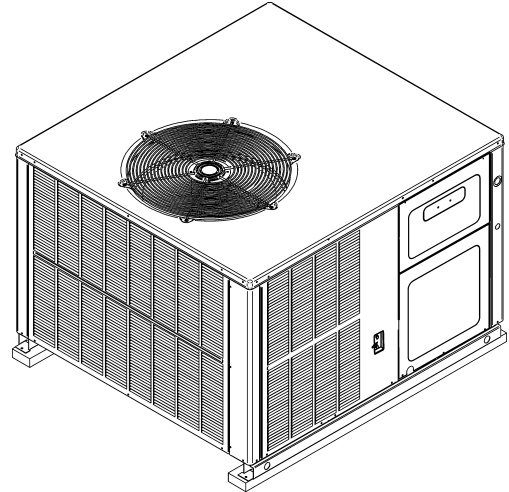

GPC14 Multiposition Residential Package Cooling Unit

GPC1424M41AC

GPC1430M41AC



This manual is to be used by qualified technicians only.

© 2020 Goodman Manufacturing Company, L.P. ♦ 5151 San Felipe St, Suite 500 ♦ Houston, TX 77056

Important Information

Index

Functional Parts List	3
Illustration and Parts	4 - 11

Views shown are for parts illustrations only, not servicing procedures

Text Codes:

AR - As Required

NA - Not Available

NS - Not Shown

00000000 - See Note

QTY - Quantity Example (QTY 3) (If Quantity not shown, Quantity = 1)

M - Model Example (M1) (If M Code not shown, then part is used on all Models)

Expanded Model Nomenclature:

Example M1 - Model#1 M2 - Model#2 M3 - Model#3

Goodman Manufacturing Company, L.P. is not responsible for personal injury or property damage resulting from improper service. Review all service information before beginning repairs.

Warranty service must be performed by an authorized technician, using authorized factory parts. If service is required after the warranty expires, Goodman Manufacturing Company, L.P. also recommends contacting an authorized technician and using authorized factory parts.

Goodman Manufacturing Company, L.P. reserves the right to discontinue, or change at any time, specifications or designs without notice or without incurring obligations.

For assistance within the U.S.A. contact:

Homeowner Support

Goodman Manufacturing Company, L.P.

19001 Kermier Road

Waller, Texas 77484

877-254-4729-Telephone

713-863-2382-Facsimile

For assistance outside the U.S.A. contact:

International Division

Goodman Manufacturing Company, L.P.

19001 Kermier Road

Waller, Texas 77484

713-861-2500-Telephone

713-863-2382-Facsimile

Functional Parts

Part

No: Description:

50N492ZV-ZAKM	2.0TONRECHI COMPR.4 LEGS (M1)
D6723303	BLOWER WHEEL
CAP050400440CT	CAPACITOR 5/40/440V/DUAL RD (M2)
CAP050450440CT	CAPACITOR 5/45/440V/DUAL RD (M1)
ZP25K5EPFV130	COMPRESSOR 25200, 208/230/60/1 (M2)
CONT1P025024V	CONTACTOR 25 AMP, 1P, 24V
0131M00750M	CONTROLLERLESS MOTOR
0150M00008	FAN BLADE 22" TNT2203-25
0130M00074	HIGH PRESSURE SWITCH
0131M00753	MOTOR, 1/6HP, 1SP, 8PL, AL (M1)
0131M00951	Motor, OD, PSC, 1/4 HP (M2)
0131G00039	PROGRAMMED CONTROLLER (M2)
0131G00038	PROGRAMMED CONTROLLER (M1)
0130M00138	TRANSFORMER, 208/230, 24V

Expanded Model Nomenclature

M1 - GPC1424M41AC

M2 - GPC1430M41AC

Cabinet Assembly

Image 1

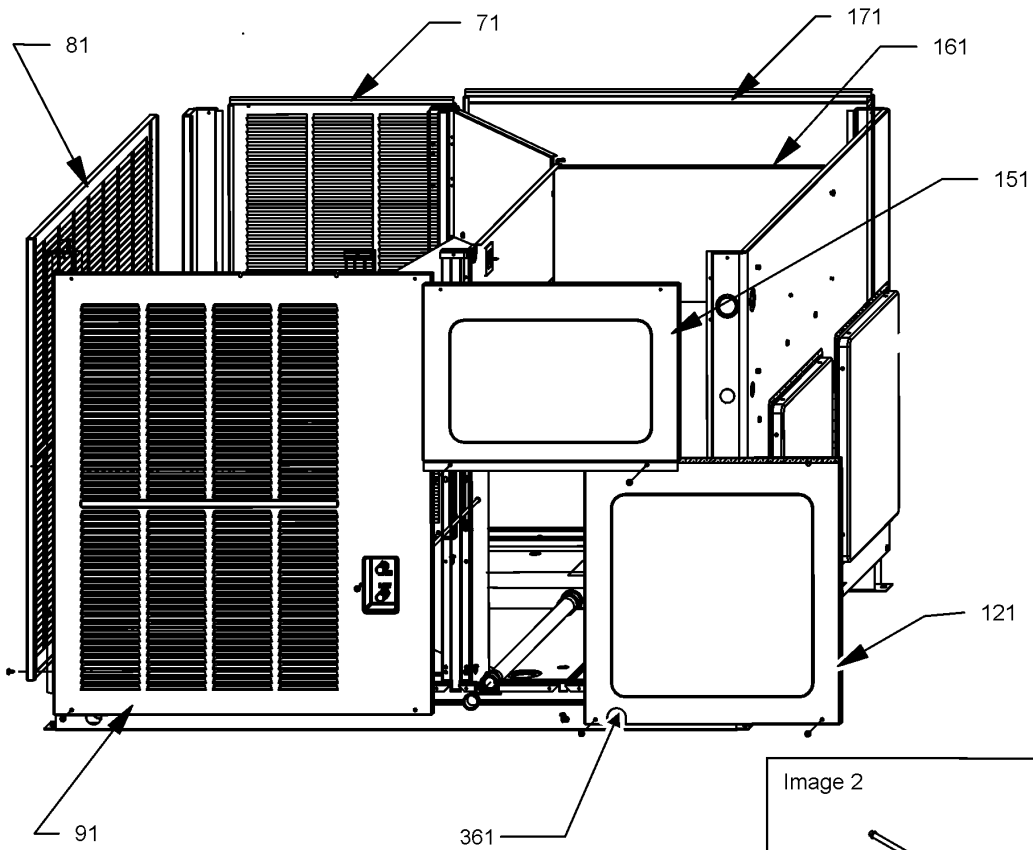
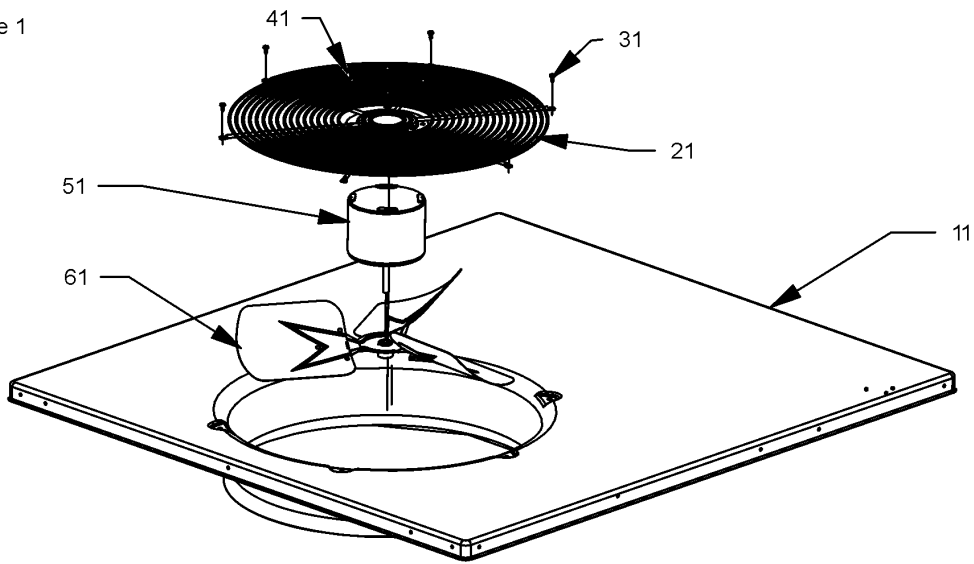
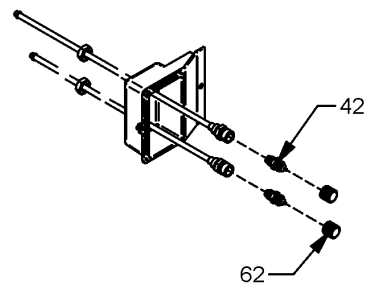


Image 2



Cabinet Assembly

Ref. Part No:	No:	Description:	Ref. Part No:	No:	Description:
---------------	-----	--------------	---------------	-----	--------------

Image 1:

11	0121G00156PDG	PNL, TOP, PNT
21	0152G00000	FAN GRILLE, RAISED
31	M0221817	SMALL SCREW (QTY 2)
41	0163M00006P	ACORN NUT 5/16 HEX BLACK (QTY 4)
51	0131M00753	MOTOR, 1/6HP, 1SP, 8PL, AL (M1)
51	0131M00951	Motor, OD, PSC, 1/4 HP (M2)
61	0150M00008	FAN BLADE 22" TNT2203-25
71	20467701PDG	LOUVERED PANEL, COND SIDE 32"
81	0121G00728DG	PANEL-COND LOUVERED 32
91	0121G00662DG	COMPRESSOR PANEL
121	0121G00165PDG	PNL, BLO, CNVRT, 32.5", PNT
151	0121G00213DG	CONTROL BOX PANEL
161	0121G00592	BLK-OFF, EVAP, TOP, CNVRT
171	20464801PDG	BLOWER DOOR 32"
361	0164G00005	GROMMET-HORSESHOE 1.675
NS	0161G00016	CONDUIT PVC

Image 2:

42	B1373315	ACCESS FITTING (QTY 2)
62	0163M00175	CAP WITH O-RING (QTY 2)

Expanded Model Nomenclature

M1 - GPC1424M41AC
M2 - GPC1430M41AC

Partition Panel/Compressor

Image 1

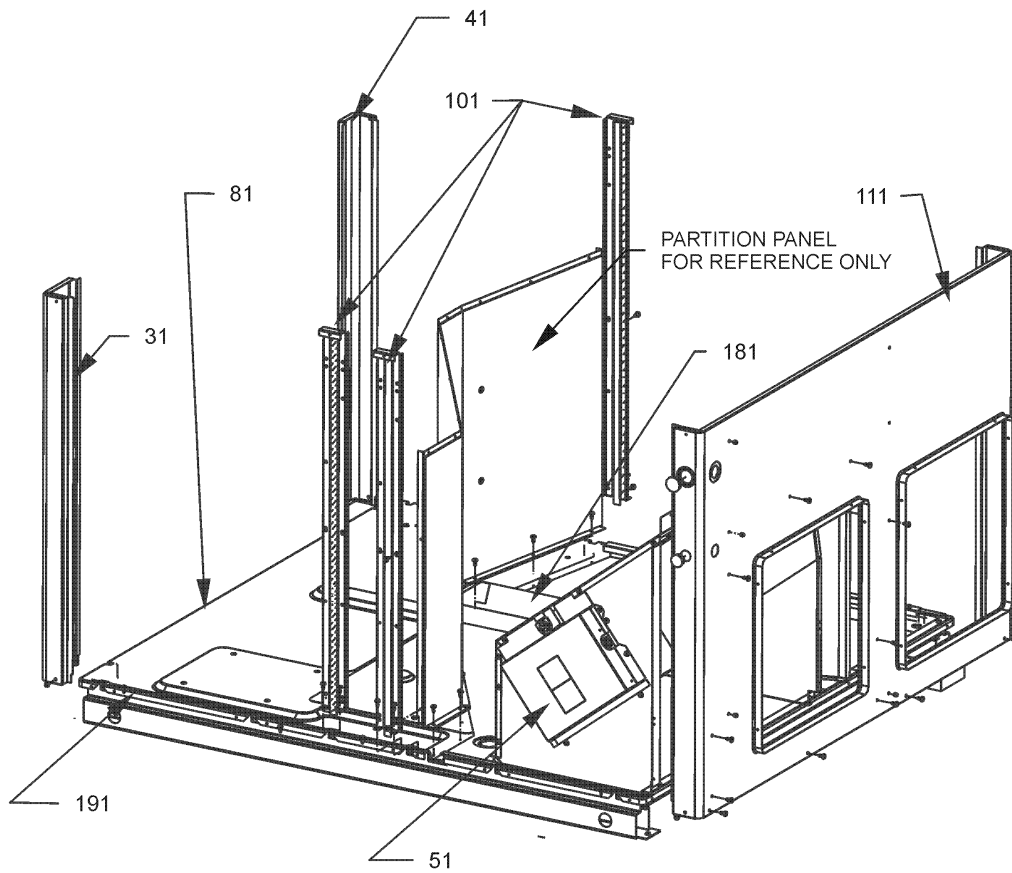
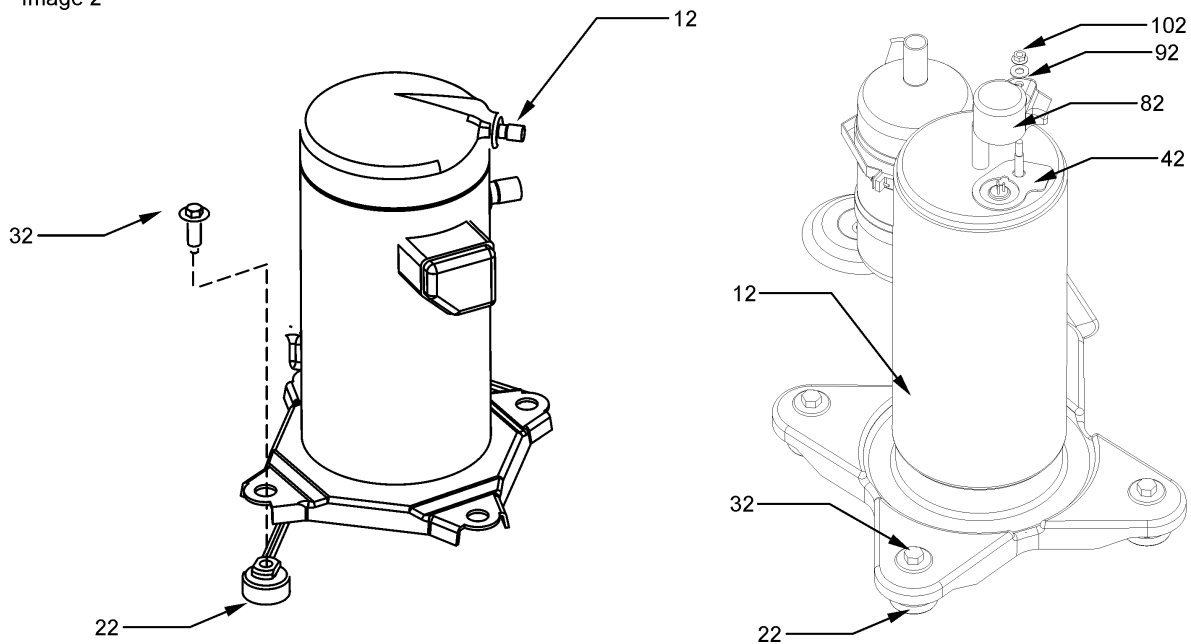


Image 2



Partition Panel/Compressor

Ref. Part No:	No:	Description:	Ref. Part No:	No:	Description:
---------------	-----	--------------	---------------	-----	--------------

Image 1:

31	20464201PDG	CORNER-POST COMP END 32"
41	0121G00454DG	CORNER-POST HPIN END
51	0121G00725	COVER, HK (QTY 2)
81	0121G00444	BASEPAN, PACKAGE
101	0121G00460	POST-SUPPORT, SIDE (QTY 2)
111	0121G00800DG	PNL, DUCT, CNVRT, 32.5" PNT
181	0161G00003	PLASTIC DRIP PAN
191	0121G00290	BASE PAN RAIL (QTY 2)
NS	0121G00235	FAN BAFFLE

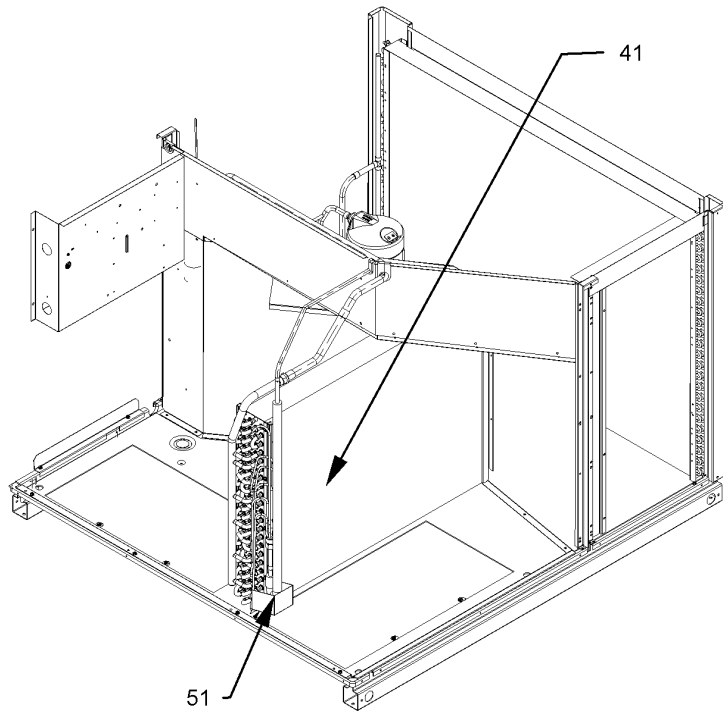
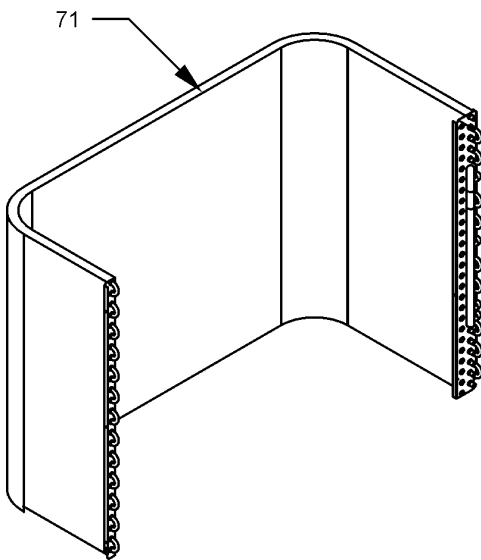
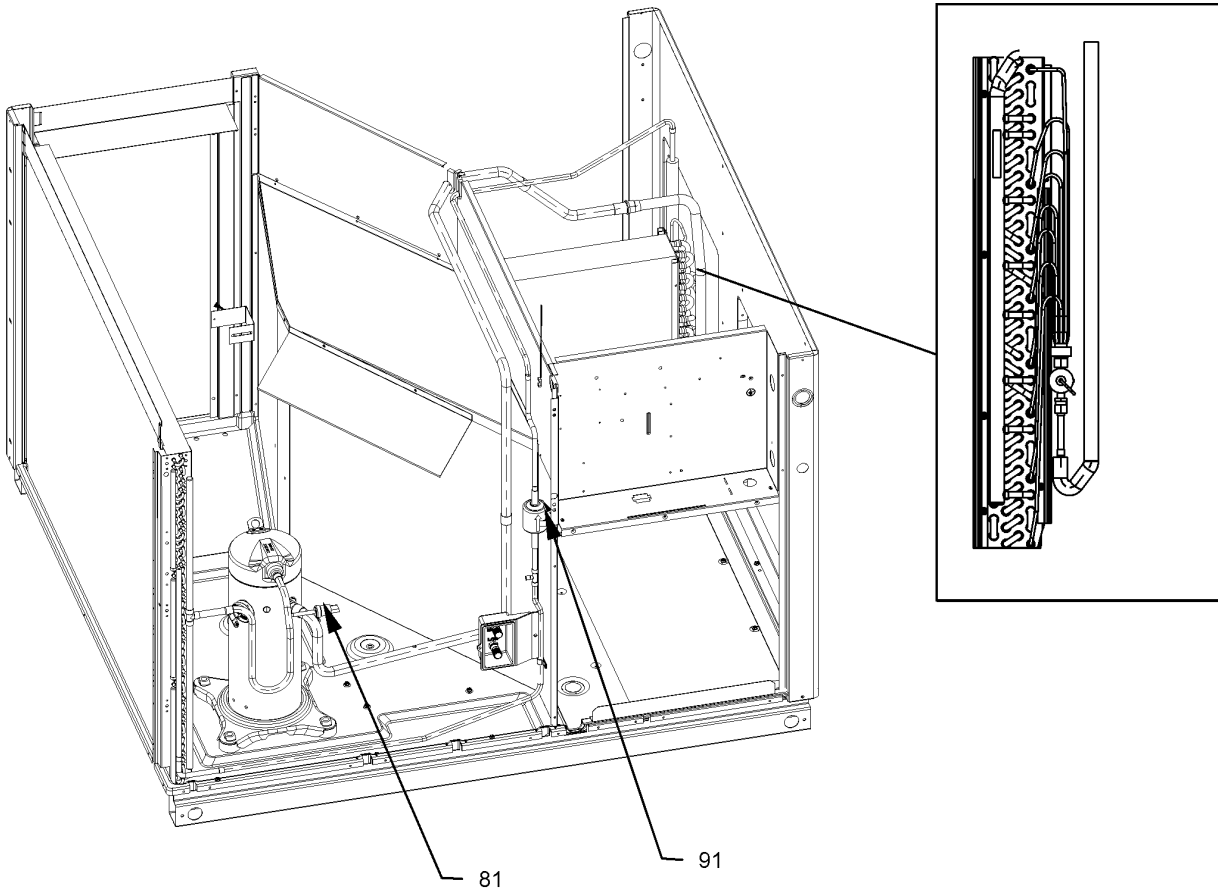
Image 2:

12	50N492ZV-ZAKM	2.0TONRECHI COMPR.4 LEGS (M1)
12	ZP25K5EPFV130	COMPRESSOR 25200, 208/230/60/1 (M2)
22	B1339533	COMPRESSOR GROMMET (M2)
22	60140209	GROMMET - RECHI COMPRESSOR (M1)
32	0163M00186	TF SHOULDER SCREW (M1)
32	M0221641	TF SHOULDER SCREW (M2)
42	60100107	TERMINAL COVER GASKET (M1)
82	60100317	TERMINAL COVER (M1)
92	60100201	WASHER - RECHI COMPRESSOR (M1)
102	60100401	TERMINAL NUT - RECHI COMP (M1)
NS	0159G00014	HARNESS-COMP SCROLL (M2)

Expanded Model Nomenclature

M1 - GPC1424M41AC
M2 - GPC1430M41AC

Coil/Evap Assembly



Coil/Evap Assembly

Ref. Part No:	Ref. Part No:	Description:	Description:
---------------	---------------	--------------	--------------

Image 1:

41	0202G00576	EVAP COIL ASSY (M1)
41	0202G00705	EVAP COIL ASSY (M2)
51	0121G00509	DRIP SHIELD
71	0201G00142	COND COIL TUBING ASSY
81	0130M00074	HIGH PRESSURE SWITCH
91	B1219212	SINGLE-FLOW FILTER DRIER, STEEL

Expanded Model Nomenclature

M1 - GPC1424M41AC
M2 - GPC1430M41AC

Control Panel/Blower Assembly

Image 1

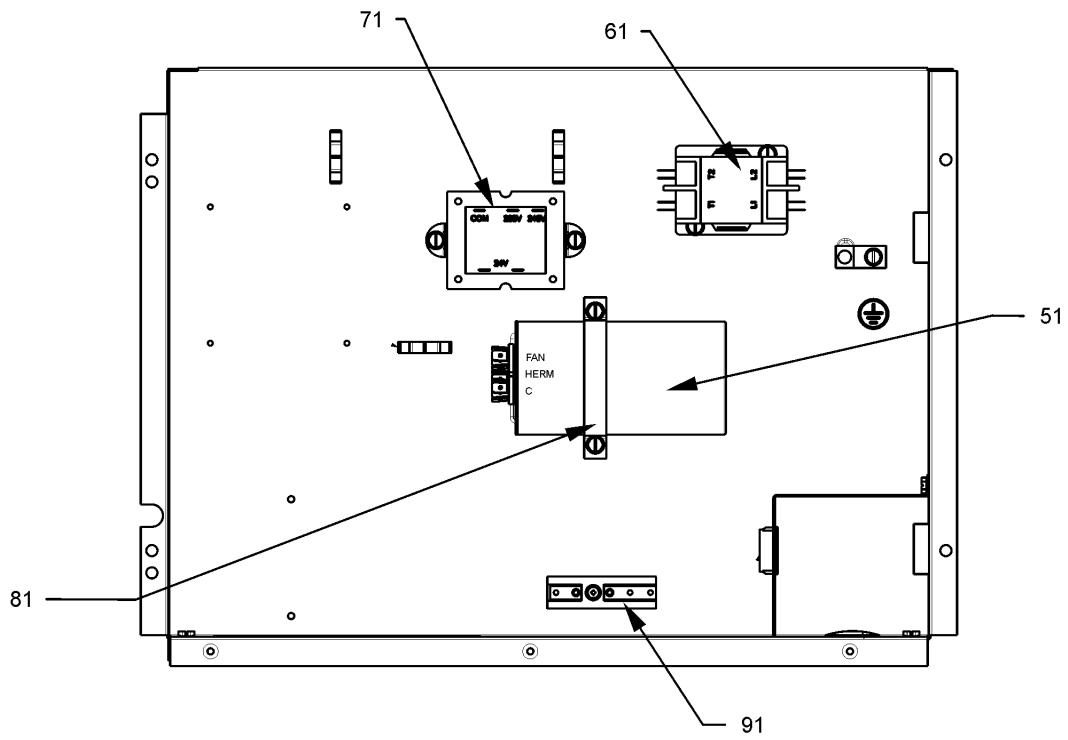
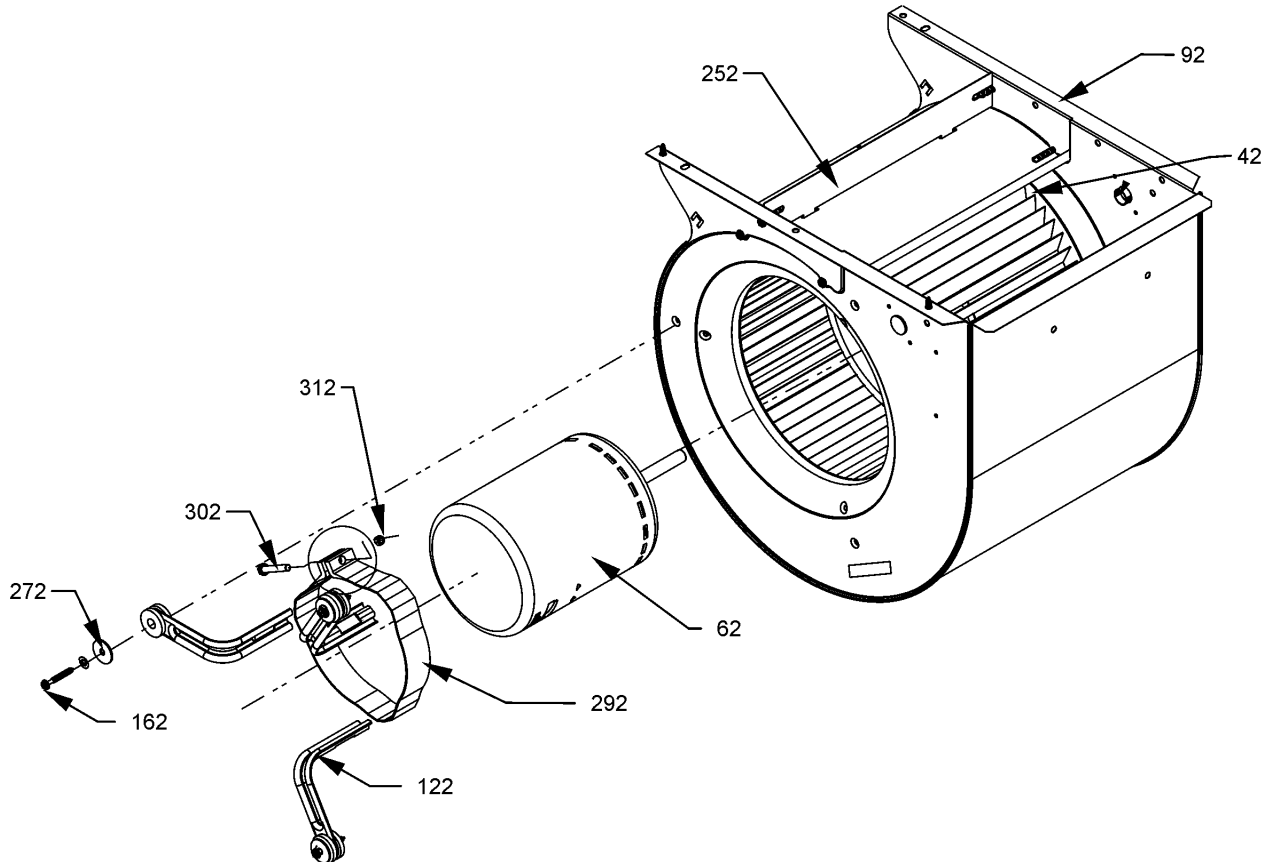


Image 2



Control Panel/Blower Assembly

Ref. Part No:	Ref. Part No:	Description:	Description:
---------------	---------------	--------------	--------------

Image 1:

51	CAP050400440CT	CAPACITOR 5/40/440V/DUAL RD (M2)
51	CAP050450440CT	CAPACITOR 5/45/440V/DUAL RD (M1)
61	CONT1P025024V	CONTACTOR 25 AMP, 1P, 24V
71	0130M00138	TRANSFORMER, 208/230, 24V
81	20520901	CAPACITOR STRAP
91	802007090	TERM BOARD
NS	0259G00148	12-PIN FEMALE HARNESS
NS	0259G00181	WIRE HARNESS ASSY

Image 2:

42	D6723303	BLOWER WHEEL
62	0131M00750M	CONTROLLERLESS MOTOR
62	0131G00038	PROGRAMMED CONTROLLER (M1)
62	0131G00039	PROGRAMMED CONTROLLER (M2)
92	0271G00024	BLOWER HOUSING ASSY 10 X 9
122	B1376857	MOTOR MOUNT ARM (QTY 3)
162	M0250565	TC SCREW 1.25" (QTY 3)
252	764742	BLOWER BLOCK-OFF
272	B1392918	WASHER, FLAT 1/4 ID X 1 OD (QTY 3)
292	0121M00038	MOTOR MOUNT BAND
302	B1393323	MACHINE SCREW HWH 1/4-20 X 1-1/2 BZ
312	B1393800	LOCKNUT, NYLON, INSERT 1/4, 20
NS	0259G00155	BLOWER HARNESS

Expanded Model Nomenclature

M1 - GPC1424M41AC
M2 - GPC1430M41AC