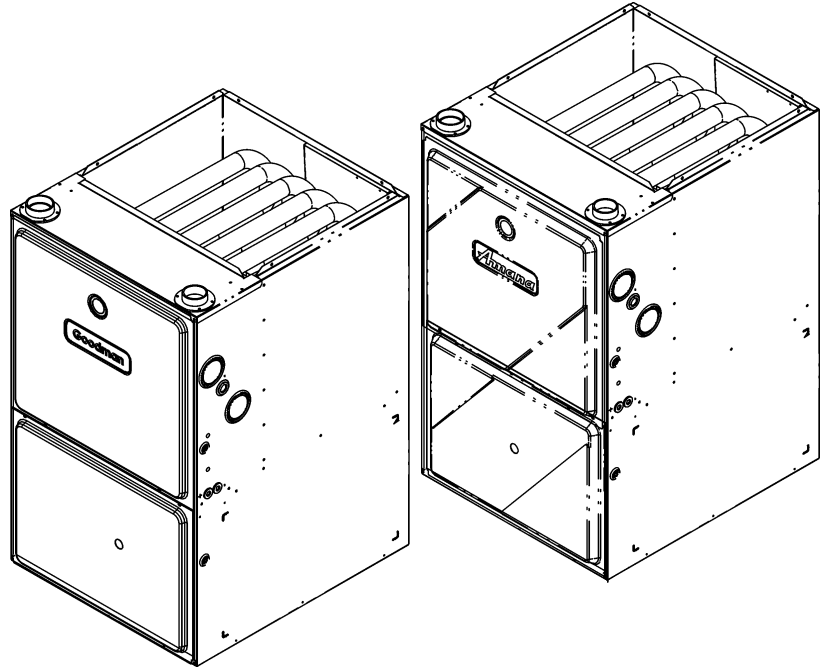


# REPAIR PARTS

## \*MVC95 Variable Speed Furnace

AMVC950453BXAC  
AMVC950453BXAD  
AMVC950453BXAE  
AMVC950704CXAC  
AMVC950704CXAD  
AMVC950704CXAE  
AMVC950905CXAB  
AMVC950905CXAC  
AMVC950905CXAD  
AMVC950905DXAC  
AMVC950905DXAD  
AMVC950905DXAE  
AMVC951155DXAC  
AMVC951155DXAD  
AMVC951155DXAE  
GMVC950453BXAC  
GMVC950453BXAD  
GMVC950453BXAE  
GMVC950704CXAC  
GMVC950704CXAD  
GMVC950704CXAE  
GMVC950905CXAB  
GMVC950905CXAC  
GMVC950905CXAD  
GMVC950905DXAC  
GMVC950905DXAD  
GMVC950905DXAE  
GMVC951155DXAC  
GMVC951155DXAD  
GMVC951155DXAE



This manual is to be used by qualified technicians only.

This manual replaces RP-719A.

© 2012, 2015, 2018 Goodman Manufacturing Company, L.P. ♦ 5151 San Felipe St, Suite 500 ♦ Houston, TX 77056

# Important Information

---

## Index

Functional Parts List .....	3
Illustration and Parts .....	4 - 11

*Views shown are for parts illustrations only, not servicing procedures.*

### Text Codes:

AR - As Required

NA - Not Available

NS - Not Shown

00000000 - See Note

QTY - Quantity Example (QTY 3) (If Quantity not shown, Quantity = 1)

M - Model Example (M1) (If M Code not shown, then part is used on all Models)

### Expanded Model Nomenclature:

Example M1 - Model#1 M2 - Model#2 M3 - Model#3
---

Goodman Manufacturing Company, L.P. is not responsible for personal injury or property damage resulting from improper service. Review all service information before beginning repairs.

Warranty service must be performed by an authorized technician, using authorized factory parts. If service is required after the warranty expires, Goodman Manufacturing Company, L.P. also recommends contacting an authorized technician and using authorized factory parts.

Goodman Manufacturing Company, L.P. reserves the right to discontinue, or change at any time, specifications or designs without notice or without incurring obligations.

For assistance within the U.S.A. contact:  
Homeowner Support  
Goodman Manufacturing Company, L.P.  
19001 Kermier Road  
Waller, Texas 77484  
877-254-4729-Telephone  
713-863-2382-Facsimile

For assistance outside the U.S.A. contact:  
International Division  
Goodman Manufacturing Company, L.P.  
19001 Kermier Road  
Waller, Texas 77484  
713-861-2500-Telephone  
713-863-2382-Facsimile

# Functional Parts

## Part

## No: Description:

Part No:	Description:	Part No:	Description:
20162904	*PRIMARY LIMIT-TEMPERATURE CONTROL (M13, M14, M15, M28, M29, M30)	0130F00192	MEMORY CHIP (M29)
10735102	BECKETT BURNER (QTY A/R)	0130F00276	MEMORY CHIP (M15)
D6723311	BLOWER WHEEL (M7, M8, M9, M10, M11, M12, M13, M14, M15, M22, M23, M24, M25, M26, M27, M28, M29, M30)	0131M00272	MOTOR, 1 HP, SERIAL ECM (M7, M8, M9, M10, M11, M12, M13, M14, M15, M22, M23, M24, M25, M26, M27, M28, M29, M30)
B1368047	BLOWER WHEEL 10 X 10 (M4, M5, M6, M19, M20, M21)	0131M00270	MOTOR, 1/2 HP, SERIAL ECM (M1, M2, M3, M16, M17, M18)
B1368016	BLOWER WHEEL 10 X 8 (M1, M2, M3, M16, M17, M18)	0131M00271	MOTOR, 3/4 HP, SERIAL ECM (M4, M5, M6, M19, M20, M21)
0130F00137	DATA, FURNACE PCB (M7)	PCBKF103	PCB, CONTROL, FURNACE
0130F00180	DATA, FURNACE PCB (M2)	0130F00251	PRESSURE SWITCH (M7, M8, M9, M22, M23, M24)
0130F00127	DATA, FURNACE PCB (M22)	11177113	PRESSURE SWITCH-GRAY (M1, M2, M3, M4, M5, M6, M16, M17, M18, M19, M20, M21)
0130F00181	DATA, FURNACE PCB (M5)	11177114	PRESSURE SWITCH-OLIVE (M10, M11, M12, M13, M14, M15, M25, M26, M27, M28, M29, M30)
0130F00189	DATA, FURNACE PCB (M20)	20197308	PRESSURE SWITCH-YELLOW
0130F00183	DATA, FURNACE PCB (M11)	20162907	PRIMARY LIMIT (M4, M5, M6, M19, M20, M21)
0130F00184	DATA, FURNACE PCB (M14)	20162905	PRIMARY LIMIT-YELLOW (M1, M2, M3, M10, M11, M12, M16, M17, M18, M25, M26, M27)
0130F00188	DATA, FURNACE PCB (M17)	B1141605	TRANSFORMER 120V TO 24V, 40 VA
0130F00191	DATA, FURNACE PCB (M26)	0151M00028	VALVE,GAS(HW)VR92
0130F00010	FLAME SENSOR	0130F00105	LIMIT SWITCH (M7, M8, M9, M22, M23, M24)
0130F00008	IGNITOR-SINI 17 SEC		
B1141666	INDUCTOR-5.9 AMP (M4, M5, M6, M7, M8, M9, M10, M11, M12, M13, M14, M15, M19, M20, M21, M22, M23, M24, M25, M26, M27, M28, M29, M30)		
10123537	LIMIT-RESET-GRAY (M4, M5, M6, M19, M20, M21)		
10123518	MANUAL RESET LIMIT (M1, M2, M3, M16, M17, M18)		
10123536	MANUAL RESET LIMIT 180°F (M7, M8, M9, M10, M11, M12, M22, M23, M24, M25, M26, M27)		
10123537	MANUAL RESET LIMIT-GRAY (M10, M11, M12, M25, M26, M27)		
10123535	MANUAL RESET LIMIT-RED (M1, M2, M3, M16, M17, M18)		
10123533	MANUAL RESET LIMIT-YELLOW (M4, M5, M6, M7, M8, M9, M13, M14, M15, M19, M20, M21, M22, M23, M24, M28, M29, M30)		
0130F00182	MEMORY CHIP (M8)		
0130F00139	MEMORY CHIP (M13)		
0130F00138	MEMORY CHIP (M10)		
0130F00136	MEMORY CHIP (M4)		
0130F00135	MEMORY CHIP (M1)		
0130F00129	MEMORY CHIP (M28)		
0130F00128	MEMORY CHIP (M25)		
0130F00125	MEMORY CHIP (M16)		
0130F00275	MEMORY CHIP (M12)		
0130F00122	MEMORY CHIP (M11, M26)		
0130F00121	MEMORY CHIP (M5, M20)		
0130F00103	MEMORY CHIP (M14)		
0130F00090	MEMORY CHIP (M2, M17)		
0130F00126	MEMORY CHIP (M19)		
0130F00283	MEMORY CHIP (M27)		
0130F00273	MEMORY CHIP (M6)		
0130F00284	MEMORY CHIP (M30)		
0130F00190	MEMORY CHIP (M23)		
0130F00282	MEMORY CHIP (M24)		
0130F00281	MEMORY CHIP (M21)		
0130F00280	MEMORY CHIP (M18)		
0130F00274	MEMORY CHIP (M9)		
0130F00272	MEMORY CHIP (M3)		

### Expanded Model Nomenclature

M1 - AMVC950453BXAC
M2 - AMVC950453BXAD
M3 - AMVC950453BXAE
M4 - AMVC950704CXAC
M5 - AMVC950704CXAD
M6 - AMVC950704CXAE
M7 - AMVC950905CXAB
M8 - AMVC950905CXAC
M9 - AMVC950905CXAD
M10 - AMVC950905DXAC
M11 - AMVC950905DXAD
M12 - AMVC950905DXAE
M13 - AMVC951155DXAC
M14 - AMVC951155DXAD
M15 - AMVC951155DXAE
M16 - GMVC950453BXAC
M17 - GMVC950453BXAD
M18 - GMVC950453BXAE
M19 - GMVC950704CXAC
M20 - GMVC950704CXAD
M21 - GMVC950704CXAE
M22 - GMVC950905CXAB
M23 - GMVC950905CXAC
M24 - GMVC950905CXAD
M25 - GMVC950905DXAC
M26 - GMVC950905DXAD
M27 - GMVC950905DXAE
M28 - GMVC951155DXAC
M29 - GMVC951155DXAD
M30 - GMVC951155DXAE

# Cabinet

Image 1

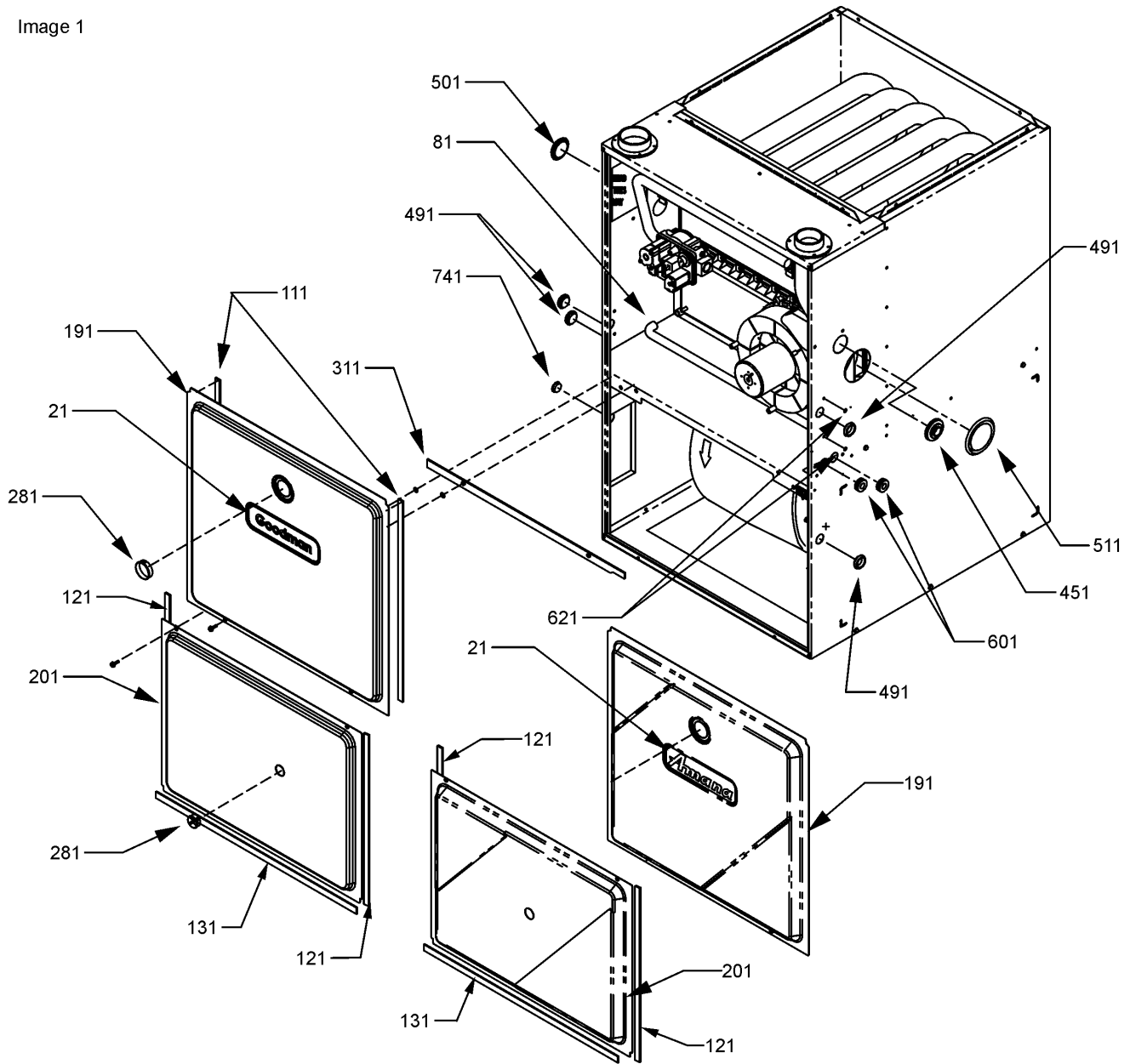
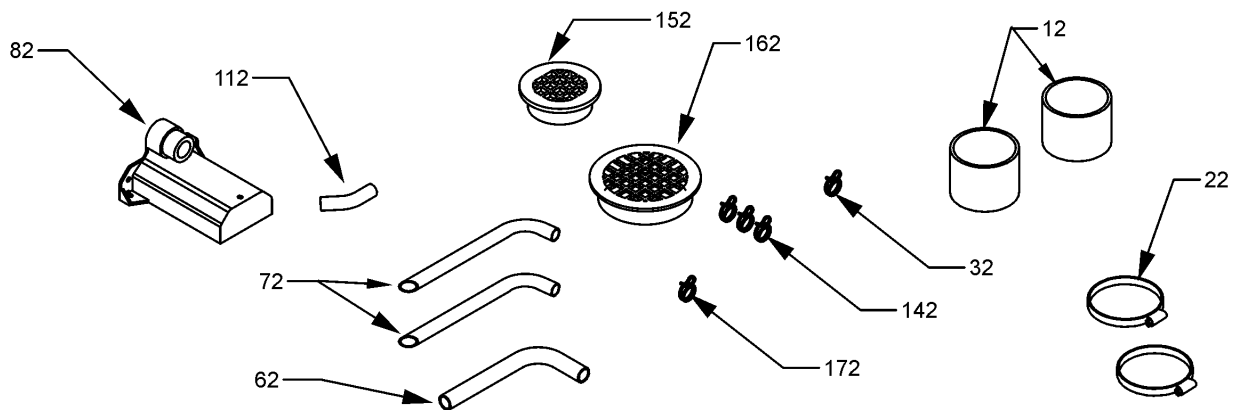


Image 2



# Cabinet

Ref. Part No:	Ref. Part No:	Description:	Description:
<b>Image 1:</b>		<b>Expanded Model Nomenclature</b>	
21	0161M00003P	AMANA NAMEPLATE (M1, M2, M3, M4, M5, M6, M7, M8, M9, M10, M11, M12, M13, M14, M15)	M1 - AMVC950453BXAC
21	0161F00000P	GOODMAN NAMEPLATE (M16, M17, M18, M19, M20, M21, M22, M23, M24, M25, M26, M27, M28, M29, M30)	M2 - AMVC950453BXAD
81	20201902	DRAIN HOSE	M3 - AMVC950453BXAE
111	20179308	GASKET (QTY 2)	M4 - AMVC950704CXAC
121	20179311	GASKET (QTY 2)	M5 - AMVC950704CXAD
131	20179312	GASKET (M4, M5, M6, M7, M8, M9, M19, M20, M21, M22, M23, M24)	M6 - AMVC950704CXAE
131	20179313	GASKET (M10, M11, M12, M13, M14, M15, M25, M26, M27, M28, M29, M30)	M7 - AMVC950905CXAB
131	20194605	GASKET (M1, M2, M3, M16, M17, M18)	M8 - AMVC950905CXAC
191	0121F00066LG	ACCESS DOOR (M1, M2, M3)	M9 - AMVC950905CXAD
191	0121F00067LG	ACCESS DOOR (M4, M5, M6, M7, M8, M9)	M10 - AMVC950905DXAC
191	0121F00068LG	ACCESS DOOR (M10, M11, M12, M13, M14, M15)	M11 - AMVC950905DXAD
191	0121F00072DG	ACCESS DOOR (M16, M17, M18)	M12 - AMVC950905DXAE
191	0121F00073DG	ACCESS DOOR (M19, M20, M21, M22, M23, M24)	M13 - AMVC951155DXAC
191	0121F00074DG	ACCESS DOOR (M25, M26, M27, M28, M29, M30)	M14 - AMVC951155DXAD
201	0121F00063LG	BLOWER DOOR (M1, M2, M3)	M15 - AMVC951155DXAE
201	0121F00064LG	BLOWER DOOR (M4, M5, M6, M7, M8, M9)	M16 - GMVC950453BXAC
201	0121F00065LG	BLOWER DOOR (M10, M11, M12, M13, M14, M15)	M17 - GMVC950453BXAD
201	0121F00069DG	BLOWER DOOR (M16, M17, M18)	M18 - GMVC950453BXAE
201	0121F00070DG	BLOWER DOOR (M19, M20, M21, M22, M23, M24)	M19 - GMVC950704CXAC
201	0121F00071DG	BLOWER DOOR (M25, M26, M27, M28, M29, M30)	M20 - GMVC950704CXAD
281	B1392139	VIEW PORT BUSHING-BLOWER DOOR (QTY 2)	M21 - GMVC950704CXAE
311	22320001	DECK GASKET (M1, M2, M3, M16, M17, M18)	M22 - GMVC950905CXAB
311	22320002	DECK GASKET (M4, M5, M6, M7, M8, M9, M19, M20, M21, M22, M23, M24)	M23 - GMVC950905CXAC
311	22320003	DECK GASKET (M10, M11, M12, M13, M14, M15, M25, M26, M27, M28, M29, M30)	M24 - GMVC950905CXAD
451	M0501301	PIPE GROMMET	M25 - GMVC950905DXAC
491	M0570808	BUTTON PLUG (QTY 4)	M26 - GMVC950905DXAD
501	M0570806	BUTTON PLUG	M27 - GMVC950905DXAE
511	M0570807	BUTTON PLUG	M28 - GMVC951155DXAC
601	A4691701	GROMMET (QTY 2)	M29 - GMVC951155DXAD
621	M0310345	BUTTON PLUG (QTY 2)	M30 - GMVC951155DXAE
741	B1392104	UNIVERSAL BUSHING UB 875	
NS	10195517	STANDPIPE BAG ASSY	
<b>Image 2:</b>			
12	10254303	RUBBER COUPLING	
22	0163M00049	HOSE CLAMP (QTY 2)	
32	M0119207	HOSE CLAMP	
62	20201901	DRAIN HOSE	
72	20201802	DRAIN TUBE (QTY 2)	
82	20171701	DRAIN TRAP	
112	20214202	DRAIN-ANGLE	
142	M0119205	HOSE CLAMP (QTY 3)	
152	B2810816	2" MESH INSERT	
162	B2810814	3" MESH INSERT	
172	M0119206	HOSE CLAMP	

# Blower Assembly

\*If end bells are needed please order the following:

0131M00182 - 1/2 HP

0131M00183 - 3/4 HP

0131M00184 - 1 HP

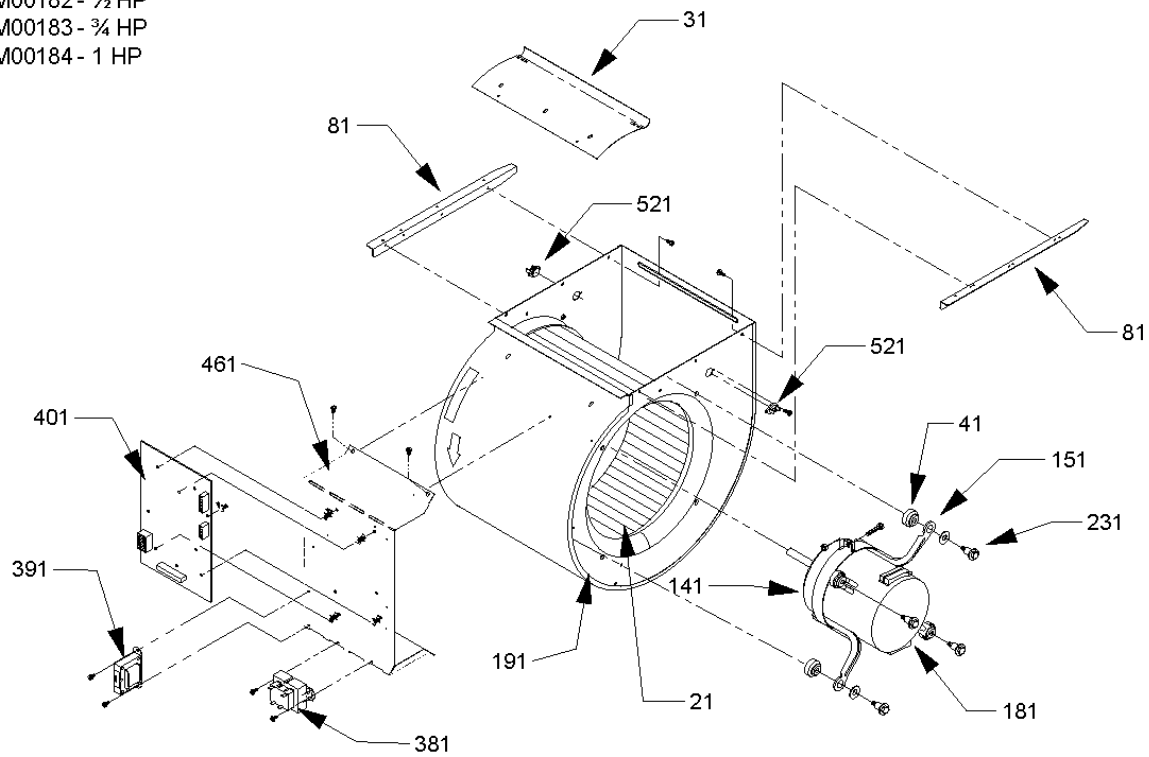
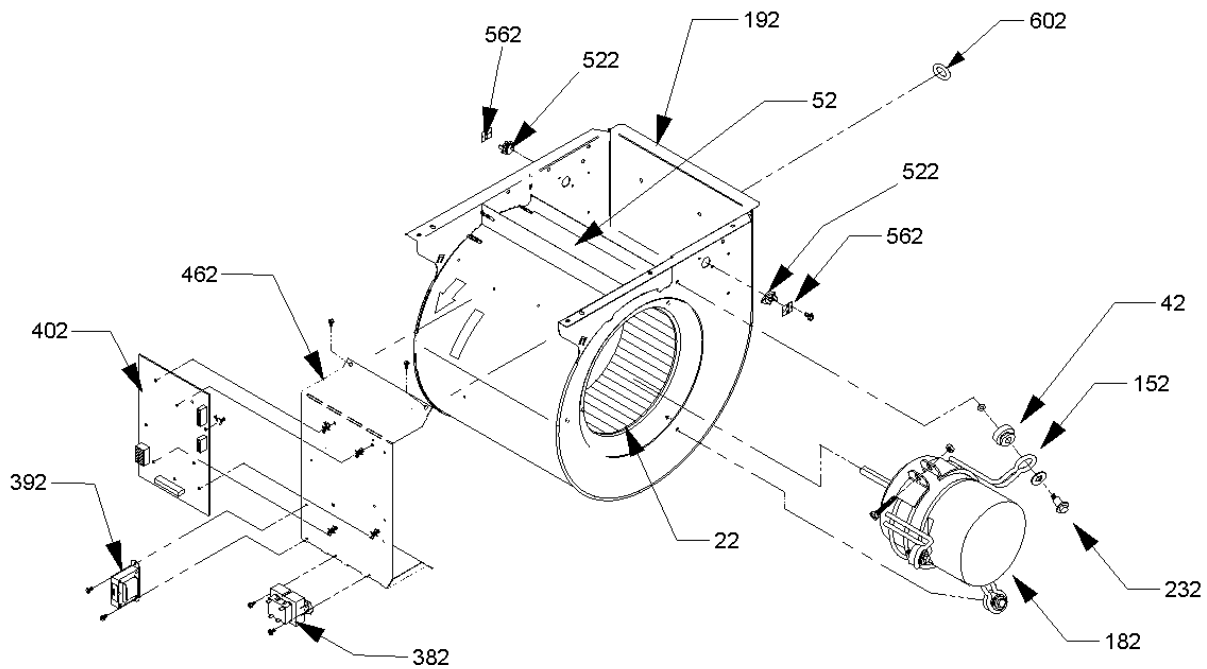


Image 1

Image 2



# Blower Assembly

Ref. Part No:	No:	Description:	Ref. Part No:	No:	Description:
<b>Image 1:</b>			<b>Image 2:</b>		
21	D6723311	BLOWER WHEEL (M7, M8, M9, M10, M11, M12, M13, M14, M15, M22, M23, M24, M25, M26, M27, M28, M29, M30)	22	B1368047	BLOWER WHEEL 10 X 10 (M4, M5, M6, M19, M20, M21)
31	C6121807	BLOWER CUT-OFF (M7, M8, M9, M10, M11, M12, M13, M14, M15, M22, M23, M24, M25, M26, M27, M28, M29, M30)	22	B1368016	BLOWER WHEEL 10 X 8 (M1, M2, M3, M16, M17, M18)
41	A4002702	BLOWER MOTOR GROMMET	42	A4002702	BLOWER MOTOR GROMMET
141	0121M00038	MOTOR MOUNT BAND (M3, M6, M18, M21)	52	764741F	BLOWER BLOCK-OFF 10 X 10 (M4, M5, M6, M19, M20, M21)
141	10441601	MOTOR MOUNT BAND (M7, M8, M9, M10, M11, M12, M13, M14, M15, M22, M23, M24, M25, M26, M27, M28, M29, M30)	52	764740F	BLOWER BLOCK-OFF 10 X 8 (M1, M2, M3, M16, M17, M18)
151	10441501	MOTOR MOUNT ARM (M7, M8, M9, M10, M11, M12, M13, M14, M15, M22, M23, M24, M25, M26, M27, M28, M29, M30)	152	C9443702	MOTOR MOUNT BRACKET (M1, M2, M4, M5, M16, M17, M19, M20)
151	B1376857	MOTOR MOUNT ARM (M3, M6, M18, M21)	182	0131M00270	MOTOR, 1/2 HP, SERIAL ECM (M1, M2, M3, M16, M17, M18)
181	0131M00272	MOTOR, 1 HP, SERIAL ECM (M7, M8, M9, M10, M11, M12, M13, M14, M15, M22, M23, M24, M25, M26, M27, M28, M29, M30)	182	0131M00271	MOTOR, 3/4 HP, SERIAL ECM (M4, M5, M6, M19, M20, M21)
191	0271F00004P	BLOWER HOUSING ASSY 10 X 10 (M4, M5, M6, M19, M20, M21)	192	0271F00047	BLOWER HOUSING ASSY 11 X 10 (M7, M8, M9, M10, M11, M12, M13, M14, M15, M22, M23, M24, M25, M26, M27, M28, M29, M30)
191	0271F00074	BLOWER HOUSING ASSY 10 X 8 (M1, M2, M3, M16, M17, M18)	232	M0221461	TC SCREW (M1, M2, M4, M5, M7, M8, M9, M10, M11, M12, M13, M14, M15, M16, M17, M19, M20, M22, M23, M24, M25, M26, M27, M28, M29, M30)
231	M0221461	TC SCREW (M1, M2, M4, M5, M7, M8, M9, M10, M11, M12, M13, M14, M15, M16, M17, M19, M20, M22, M23, M24, M25, M26, M27, M28, M29, M30)	382	B1141605	TRANSFORMER 120V TO 24V, 40 VA
381	B1141605	TRANSFORMER 120V TO 24V, 40 VA	392	B1141666	INDUCTOR-5.9 AMP (M4, M5, M6, M7, M8, M9, M10, M11, M12, M13, M14, M15, M19, M20, M21, M22, M23, M24, M25, M26, M27, M28, M29, M30)
391	B1141666	INDUCTOR-5.9 AMP (M4, M5, M6, M7, M8, M9, M10, M11, M12, M13, M14, M15, M19, M20, M21, M22, M23, M24, M25, M26, M27, M28, M29, M30)	402	PCBKF103	PCB, CONTROL, FURNACE
401	PCBKF103	PCB, CONTROL, FURNACE	462	0121F00094	CONTROL MOUNT PANEL
461	0121F00094	CONTROL MOUNT PANEL	522	10123537	LIMIT-RESET-GRAY (M4, M5, M6, M19, M20, M21)
521	10123536	MANUAL RESET LIMIT 180°F (M7, M8, M9, M10, M11, M12, M22, M23, M24, M25, M26, M27)	522	10123535	MANUAL RESET LIMIT-RED (M1, M2, M3, M16, M17, M18)
521	10123533	MANUAL RESET LIMIT-YELLOW (M4, M5, M6, M7, M8, M9, M13, M14, M15, M19, M20, M21, M22, M23, M24, M28, M29, M30)	562	2509503F	AUXILIARY LIMIT BRACKET (M1, M2, M3, M4, M5, M6, M16, M17, M18, M19, M20, M21)
NS	0259F00024	BLOWER WIRE HARNESS	602	B1392021	PLASTIC PLUG, 1" (2713-BLK) (M1, M2, M3, M4, M5, M6, M16, M17, M18, M19, M20, M21)
NS	0259F00040	CONTROL HARNESS	NS	0259F00024	BLOWER WIRE HARNESS
NS	0130F00127	DATA, FURNACE PCB (M22)	NS	0259F00040	CONTROL HARNESS
NS	0130F00137	DATA, FURNACE PCB (M7)	NS	0159F00012	HARNESS, WIRING (M1, M4, M16, M19)
NS	0130F00180	DATA, FURNACE PCB (M2)	NS	0130F00103	MEMORY CHIP (M14)
NS	0130F00181	DATA, FURNACE PCB (M5)	NS	0130F00122	MEMORY CHIP (M11, M26)
NS	0130F00183	DATA, FURNACE PCB (M11)	NS	0130F00128	MEMORY CHIP (M25)
NS	0130F00184	DATA, FURNACE PCB (M14)	NS	0130F00129	MEMORY CHIP (M28)
NS	0130F00188	DATA, FURNACE PCB (M17)	NS	0130F00138	MEMORY CHIP (M10)
NS	0130F00189	DATA, FURNACE PCB (M20)	NS	0130F00139	MEMORY CHIP (M13)
NS	0130F00191	DATA, FURNACE PCB (M26)	NS	0130F00182	MEMORY CHIP (M8)
NS	0159F00012	HARNESS, WIRING (M7, M10, M13, M22, M25,	NS	0130F00190	MEMORY CHIP (M23)
NS	0130F00090	MEMORY CHIP (M2, M17)	NS	0130F00192	MEMORY CHIP (M29)
NS	0130F00121	MEMORY CHIP (M5, M20)	NS	0130F00274	MEMORY CHIP (M9)
NS	0130F00125	MEMORY CHIP (M16)	NS	0130F00275	MEMORY CHIP (M12)
NS	0130F00126	MEMORY CHIP (M19)	NS	0130F00276	MEMORY CHIP (M15)
NS	0130F00135	MEMORY CHIP (M1)	NS	0130F00282	MEMORY CHIP (M24)
NS	0130F00136	MEMORY CHIP (M4)	NS	0130F00283	MEMORY CHIP (M27)
NS	0130F00272	MEMORY CHIP (M3)	NS	0130F00284	MEMORY CHIP (M30)
NS	0130F00273	MEMORY CHIP (M6)	NS	0259F00041	POWER HARNESS HIGH VOLTAGE
NS	0130F00280	MEMORY CHIP (M18)			
NS	0130F00281	MEMORY CHIP (M21)			
NS	0259F00041	POWER HARNESS			

# Blower Assembly

Ref. Part

No: No:

Description:

Ref. Part

No: No:

Description:

---

## Expanded Model Nomenclature

M1 - AMVC950453BXAC
M2 - AMVC950453BXAD
M3 - AMVC950453BXAE
M4 - AMVC950704CXAC
M5 - AMVC950704CXAD
M6 - AMVC950704CXAE
M7 - AMVC950905CXAB
M8 - AMVC950905CXAC
M9 - AMVC950905CXAD
M10 - AMVC950905DXAC
M11 - AMVC950905DXAD
M12 - AMVC950905DXAE
M13 - AMVC951155DXAC
M14 - AMVC951155DXAD
M15 - AMVC951155DXAE
M16 - GMVC950453BXAC
M17 - GMVC950453BXAD
M18 - GMVC950453BXAE
M19 - GMVC950704CXAC
M20 - GMVC950704CXAD
M21 - GMVC950704CXAE
M22 - GMVC950905CXAB
M23 - GMVC950905CXAC
M24 - GMVC950905CXAD
M25 - GMVC950905DXAC
M26 - GMVC950905DXAD
M27 - GMVC950905DXAE
M28 - GMVC951155DXAC
M29 - GMVC951155DXAD
M30 - GMVC951155DXAE

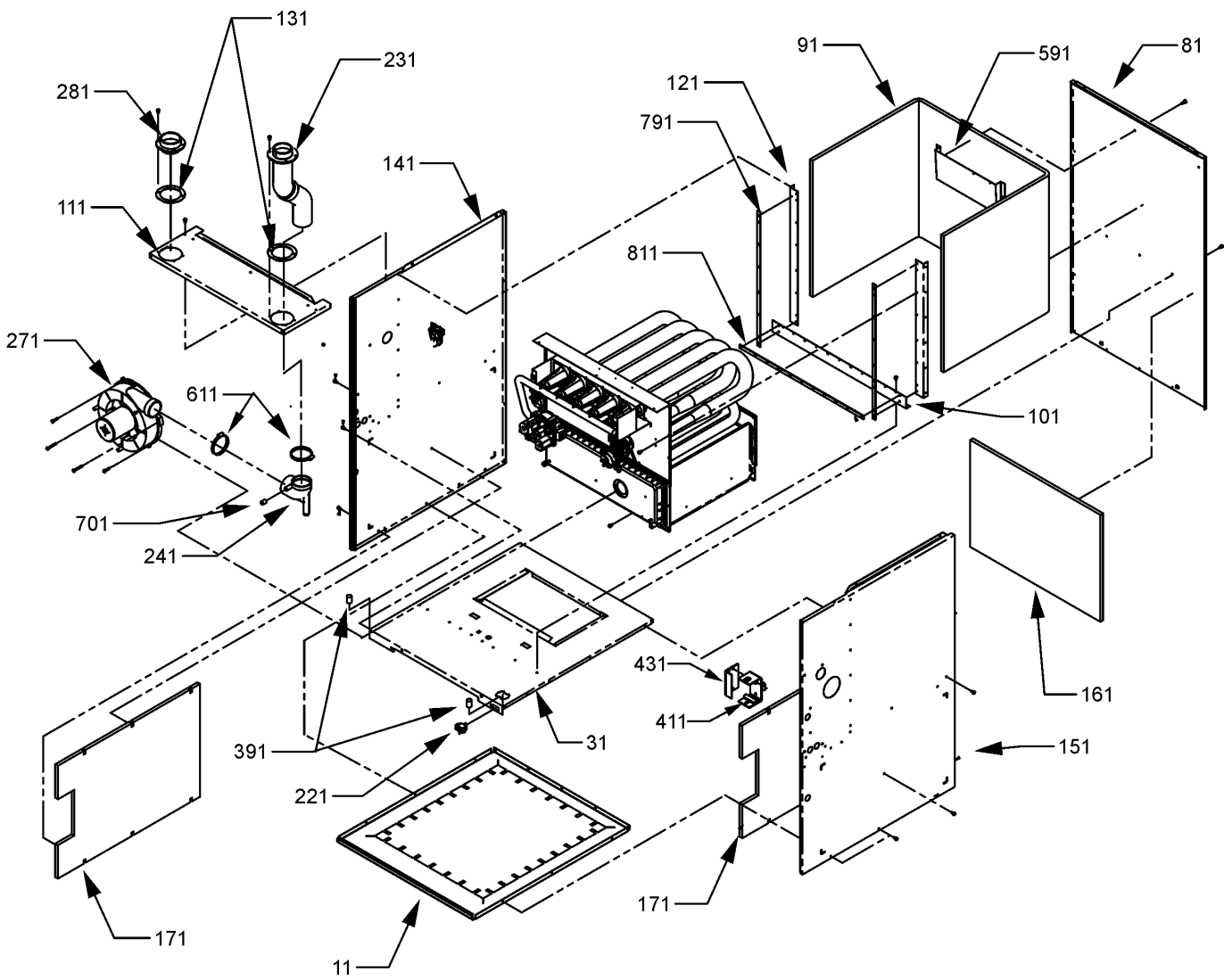
\*If end bells are needed please order the following:

0131M00182 - 1/2 HP

0131M00183 - 3/4 HP

0131M00184 - 1 HP

# Chassis



# Chassis

Ref. Part No:	No:	Description:	Ref. Part No:	No:	Description:
<b>Image 1:</b>			<b>Image 1:</b>		
11	0121F00050DG	BASE PAN (M1, M2, M3, M16, M17, M18)	791	20194607	GASKET (QTY 2)
11	0121F00051DG	BASE PAN (M4, M5, M6, M7, M8, M9, M19, M20, M21, M22, M23, M24)	811	20194605	GASKET (M1, M2, M3, M16, M17, M18)
11	0121F00052DG	BASE PAN (M10, M11, M12, M13, M14, M15, M25, M26, M27, M28, M29, M30)	811	20194607	GASKET (M4, M5, M6, M7, M8, M9, M10, M11, M12, M13, M14, M15, M19, M20, M21, M22, M23, M24, M25, M26, M27, M28, M29, M30)
31	0121F00045	BLOWER DECK (M4, M5, M6, M19, M20, M21)	NS	0164M00002	PRESSURE SWITCH HOSE
31	0121F00048	BLOWER DECK (M10, M11, M12, M13, M14, M15, M25, M26, M27, M28, M29, M30)	NS	0164M00007	PRESSURE SWITCH HOSE (M1, M4, M7, M10, M16, M19, M22, M25, M28)
31	0121F00246	BLOWER DECK (M7, M8, M9, M22, M23, M24)	NS	0164M00011	PRESSURE SWITCH HOSE (M1, M16)
81	20273208	BACK PANEL (M1, M2, M3, M16, M17, M18)	NS	0164M00012	PRESSURE SWITCH HOSE (M2, M3, M17, M18)
81	20273209	BACK PANEL (M4, M5, M6, M7, M8, M9, M19, M20, M21, M22, M23, M24)	NS	0164M00013	PRESSURE SWITCH HOSE (M8, M9)
81	20273211	BACK PANEL (M10, M11, M12, M13, M14, M15, M25, M26, M27, M28, M29, M30)	NS	0164M00015	PRESSURE SWITCH HOSE (M13)
91	C6415909	HEAT EXCHANGER INSULATION (M10, M11, M12, M13, M14, M15, M25, M26, M27, M28, M29, M30)	<b>Expanded Model Nomenclature</b>		
91	C6415910	HEAT EXCHANGER INSULATION (M1, M2, M3, M16, M17, M18)	M1 - AMVC950453BXAC		
91	C6415911	HEAT EXCHANGER INSULATION (M4, M5, M6, M7, M8, M9, M19, M20, M21, M22, M23, M24)	M2 - AMVC950453BXAD		
101	0121F00018P	DECK RAIL (M1, M2, M3, M16, M17, M18)	M3 - AMVC950453BXAE		
101	0121F00019P	DECK RAIL (M4, M5, M6, M7, M8, M9, M19, M20, M21, M22, M23, M24)	M4 - AMVC950704CXAC		
101	20191303	DECK RAIL (M10, M11, M12, M13, M14, M15, M25, M26, M27, M28, M29, M30)	M5 - AMVC950704CXAD		
111	0270F00100P	TOP COVER ASSY (M1, M2, M3, M16, M17, M18)	M6 - AMVC950704CXAE		
111	0270F00101P	TOP COVER ASSY (M4, M5, M6, M7, M8, M9, M19, M20, M21, M22, M23, M24)	M7 - AMVC950905CXAB		
111	0270F00102P	TOP COVER ASSY (M10, M11, M12, M13, M14, M15, M25, M26, M27, M28, M29, M30)	M8 - AMVC950905CXAC		
121	20191602	SIDE RAIL (M1, M2, M3, M16, M17, M18)	M9 - AMVC950905CXAD		
121	20191603	SIDE RAIL (M4, M5, M6, M7, M8, M9, M19, M20, M21, M22, M23, M24)	M10 - AMVC950905DXAC		
121	20191604	SIDE RAIL (M10, M11, M12, M13, M14, M15, M25, M26, M27, M28, M29, M30)	M11 - AMVC950905DXAD		
131	0154F00000P	COIL GASKET (M1, M2, M3, M16, M17, M18)	M12 - AMVC950905DXAE		
131	0154F00001P	COIL GASKET (M4, M5, M6, M7, M8, M9, M19, M20, M21, M22, M23, M24)	M13 - AMVC951155DXAC		
131	0154F00002P	COIL GASKET (M10, M11, M12, M13, M14, M15, M25, M26, M27, M28, M29, M30)	M14 - AMVC951155DXAD		
141	0121F00092DG	PANEL-SIDE LH UF PNT	M15 - AMVC951155DXAE		
151	0121F00090DG	PANEL-SIDE RH UF PNT	M16 - GMVC950453BXAC		
161	20006601	INSULATION (M1, M2, M3, M16, M17, M18)	M17 - GMVC950453BXAD		
161	20006602	INSULATION (M4, M5, M6, M7, M8, M9, M19, M20, M21, M22, M23, M24)	M18 - GMVC950453BXAE		
161	20006603	INSULATION (M10, M11, M12, M13, M14, M15, M25, M26, M27, M28, M29, M30)	M19 - GMVC950704CXAC		
171	20243503	SIDE INSULATION (QTY 2)	M20 - GMVC950704CXAD		
221	B1370818	INTERLOCK SWITCH	M21 - GMVC950704CXAE		
231	22309501	FLUE PIPE	M22 - GMVC950905CXAB		
241	20171802	ELBOW	M23 - GMVC950905CXAC		
271	0271F00126	ID BLOWER ASSEMBLY	M24 - GMVC950905CXAD		
281	20049701	FA COUPLING	M25 - GMVC950905DXAC		
391	M0275521	PLASTIC SEALER	M26 - GMVC950905DXAD		
411	0161F00012	JUNCTION BOX-PLA	M27 - GMVC950905DXAE		
431	0161F00013	JUNCTION BOX-LID	M28 - GMVC951155DXAC		
591	11165107	ID BLOWER SHIELD	M29 - GMVC951155DXAD		
611	0163M00049	HOSE CLAMP (QTY 2)	M30 - GMVC951155DXAE		
701	M0326804	TUBE PLUG			



# Heat Exchanger / Manifold / Gas Valve

Ref. Part No:	Ref. Part No:	Description:	Description:
<b>Image 1:</b>		<b>Image 1:</b>	
11	0130F00008	IGNITOR-SINI 17 SEC	371 20162904 *PRIMARY LIMIT-TEMPERATURE CONTROL (M13, M14, M15, M28, M29, M30)
21	0151M00028	VALVE,GAS(HW)VR92	371 20162907 PRIMARY LIMIT (M4, M5, M6, M19, M20, M21)
31	10716003	ORIFICE (QTY A/R)	371 20162905 PRIMARY LIMIT-YELLOW (M1, M2, M3, M10, M11, M12, M16, M17, M18, M25, M26, M27)
41	0130F00010	FLAME SENSOR	371 0130F00105 LIMIT SWITCH (M7, M8, M9, M22, M23, M24)
51	0257F00205	HEAT EXCHANGER ASSY (M7, M8, M9)	
51	0257F00206	HEAT EXCHANGER ASSY (M22, M23, M24)	
51	0257F00143	HEAT EXCHANGER ASSY 2B (M1, M2, M3, M16, M17, M18)	
51	0257F00139	HEAT EXCHANGER ASSY 3B (M19, M20, M21)	
51	0257F00146	HEAT EXCHANGER ASSY 3B (M4, M5, M6)	
51	0257F00140	HEAT EXCHANGER ASSY 4B (M10, M11, M12, M25, M26, M27)	
51	0257F00174	HEAT EXCHANGER ASSY 5B (M13, M14, M15)	
51	0257F00180	HEAT EXCHANGER ASSY 5B (M28, M29, M30)	
71	10735102	BECKETT BURNER (QTY A/R)	
91	20190410	BURNER BRACKET 2B (M1, M2, M3, M16, M17, M18)	
91	20190411	BURNER BRACKET 3B (M4, M5, M6, M19, M20, M21)	
91	20190412	BURNER BRACKET 4B (M7, M8, M9, M10, M11, M12, M22, M23, M24, M25, M26, M27)	
91	20190413	BURNER BRACKET 5B (M13, M14, M15, M28, M29, M30)	
131	20170804A	FRONT COVER (M1, M2, M3, M16, M17, M18)	
131	20170903A	FRONT COVER (M4, M5, M6, M19, M20, M21)	
131	20170906A	FRONT COVER (M7, M8, M9, M22, M23, M24)	
131	20171003A	FRONT COVER (M10, M11, M12, M25, M26, M27)	
131	20171004A	FRONT COVER (M13, M14, M15, M28, M29, M30)	
141	0154F00000P	COIL GASKET (M1, M2, M3, M16, M17, M18)	
141	0154F00001P	COIL GASKET (M4, M5, M6, M7, M8, M9, M19, M20, M21, M22, M23, M24)	
141	0154F00002P	COIL GASKET (M10, M11, M12, M13, M14, M15, M25, M26, M27, M28, M29, M30)	
151	10123518	MANUAL RESET LIMIT (M1, M2, M3, M16, M17, M25, M26, M27)	
151	10123537	MANUAL RESET LIMIT-GRAY (M10, M11, M12, M25, M26, M27)	
151	10123533	MANUAL RESET LIMIT-YELLOW (M4, M5, M6, M7, M8, M9, M13, M14, M15, M19, M20, M21, M22, M23, M24, M28, M29, M30)	
161	M0326804	TUBE PLUG	
171	20196401	MANIFOLD - 2 BRNR (M1, M2, M3, M16, M17, M18)	
171	20196402	MANIFOLD - 3 BRNR (M4, M5, M6, M19, M20, M21)	
171	20196403	MANIFOLD - 4 BRNR (M7, M8, M9, M10, M11, M12, M22, M23, M24, M25, M26, M27)	
171	20196404	MANIFOLD - 5 BRNR (M13, M14, M15, M28, M29, M30)	
231	A1781105	CAP-VINYL .500 (QTY 2)	
291	20197308	PRESSURE SWITCH-YELLOW	
301	0130F00251	PRESSURE SWITCH (M7, M8, M9, M22, M23, M24)	
301	11177113	PRESSURE SWITCH-GRAY (M1, M2, M3, M4, M5, M6, M16, M17, M18, M19, M20, M21)	
301	11177114	PRESSURE SWITCH-OLIVE (M10, M11, M12, M13, M14, M15, M25, M26, M27, M28, M29, M30)	
321	11072201	ORIFICE SHIELD (M1, M2, M3, M16, M17, M18)	
321	11072202	ORIFICE SHIELD (M4, M5, M6, M19, M20, M21)	
321	11072203	ORIFICE SHIELD (M7, M8, M9, M10, M11, M12, M22, M23, M24, M25, M26, M27)	
321	11072204	ORIFICE SHIELD (M13, M14, M15, M28, M29, M30)	
		<b>Image 2:</b>	
12	0259M00004	WIRE HARNESS, ADAPTOR (M1, M4, M7, M10, M13, M16, M19, M22, M25, M28)	
		<b>Expanded Model Nomenclature</b>	
		M1 - AMVC950453BXAC	
		M2 - AMVC950453BXAD	
		M3 - AMVC950453BXAE	
		M4 - AMVC950704CXAC	
		M5 - AMVC950704CXAD	
		M6 - AMVC950704CXAE	
		M7 - AMVC950905CXAB	
		M8 - AMVC950905CXAC	
		M9 - AMVC950905CXAD	
		M10 - AMVC950905DXAC	
		M11 - AMVC950905DXAD	
		M12 - AMVC950905DXAE	
		M13 - AMVC951155DXAC	
		M14 - AMVC951155DXAD	
		M15 - AMVC951155DXAE	
		M16 - GMVC950453BXAC	
		M17 - GMVC950453BXAD	
		M18 - GMVC950453BXAE	
		M19 - GMVC950704CXAC	
		M20 - GMVC950704CXAD	
		M21 - GMVC950704CXAE	
		M22 - GMVC950905CXAB	
		M23 - GMVC950905CXAC	
		M24 - GMVC950905CXAD	
		M25 - GMVC950905DXAC	
		M26 - GMVC950905DXAD	
		M27 - GMVC950905DXAE	
		M28 - GMVC951155DXAC	
		M29 - GMVC951155DXAD	
		M30 - GMVC951155DXAE	