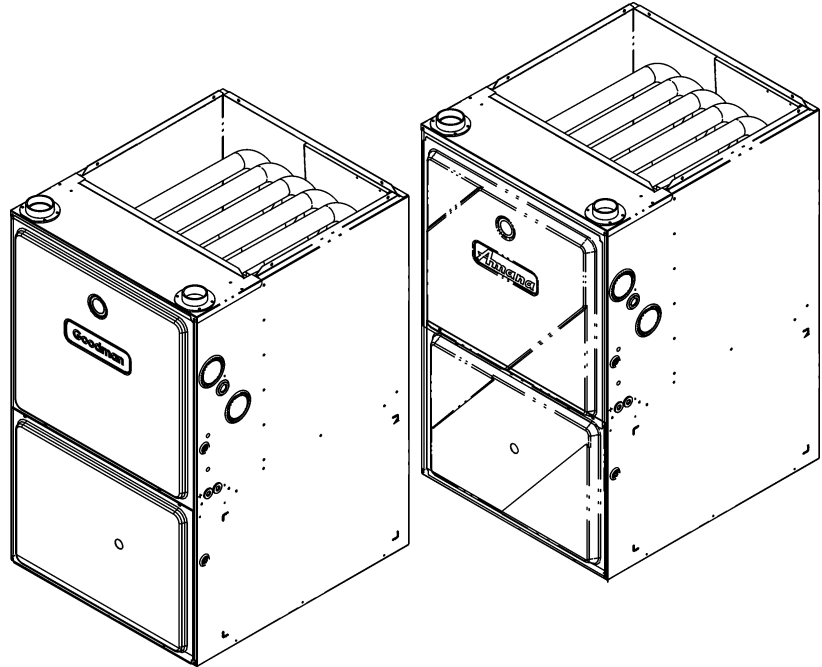




REPAIR PARTS

*MVC95 Variable Speed Furnace

AMVC950453BXAA
AMVC950453BXAB
AMVC950704CXAA
AMVC950704CXAB
AMVC950905CXAA
AMVC950905DXAA
AMVC950905DXAB
AMVC951155DXAA
AMVC951155DXAB
GMVC950453BXAA
GMVC950453BXAB
GMVC950704CXAA
GMVC950704CXAB
GMVC950905CXAA
GMVC950905DXAA
GMVC950905DXAB
GMVC951155DXAA
GMVC951155DXAB



This manual is to be used by qualified technicians only.

This manual replaces RP-509B

© 2009 - 2010, 2018 Goodman Manufacturing Company, L.P. ♦ 5151 San Felipe St, Suite 500 ♦ Houston, TX 77056

Important Information

Index

Functional Parts List	3
Illustration and Parts	4 - 11

Views shown are for parts illustrations only, not servicing procedures.

Text Codes:

AR - As Required

NA - Not Available

NS - Not Shown

00000000 - See Note

QTY - Quantity Example (QTY 3) (If Quantity not shown, Quantity = 1)

M - Model Example (M1) (If M Code not shown, then part is used on all Models)

Expanded Model Nomenclature:

Example M1 - Model#1 M2 - Model#2 M3 - Model#3

Goodman Manufacturing Company, L.P. is not responsible for personal injury or property damage resulting from improper service. Review all service information before beginning repairs.

Warranty service must be performed by an authorized technician, using authorized factory parts. If service is required after the warranty expires, Goodman Manufacturing Company, L.P. also recommends contacting an authorized technician and using authorized factory parts.

Goodman Manufacturing Company, L.P. reserves the right to discontinue, or change at any time, specifications or designs without notice or without incurring obligations.

For assistance within the U.S.A. contact:
Homeowner Support
Goodman Manufacturing Company, L.P.
19001 Kermier Road
Waller, Texas 77484
877-254-4729-Telephone
713-863-2382-Facsimile

For assistance outside the U.S.A. contact:
International Division
Goodman Manufacturing Company, L.P.
19001 Kermier Road
Waller, Texas 77484
713-861-2500-Telephone
713-863-2382-Facsimile

Functional Parts

Part

No: Description:

20162904	*PRIMARY LIMIT-TEMPERATURE CONTROL (M8, M9, M17, M18) *Refer to service bulletin SF-054r1
10735102S	BECKETT BURNER (QTY AR)
D6723311S	BLOWER WHEEL (M5, M6, M7, M8, M9, M14, M15, M16, M17, M18)
B1368047	BLOWER WHEEL 10 X 10 (M3, M4, M12, M13)
B1368016S	BLOWER WHEEL 10 X 8 (M1, M2, M10, M11)
0130F00010	FLAME SENSOR
0151M00014	GAS VALVE - HONEYWELL 2-STAGE (M2, M4, M5, M7, M9, M11, M13, M14, M16, M18)
0151F00000P	GAS VALVE - WHITE-RODGERS 2-STAGE (M1, M3, M6, M8, M10, M12, M15, M17)
20245903S	ID BLOWER
B1141666	INDUCTOR-5.9 AMP (M5, M6, M7, M8, M9, M14, M15, M16, M17, M18)
B1141666	INDUCTOR-5.9 AMP (M3, M4, M12, M13)
B1370818	INTERLOCK SWITCH
0130F00105	LIMIT SWITCH (M5, M14)
10123518	MANUAL RESET LIMIT (M1, M2, M10, M11)
10123536	MANUAL RESET LIMIT 180°F (M5, M6, M7, M14, M15, M16)
10123537	MANUAL RESET LIMIT-GRAY (M3, M4, M12, M13)
10123537	MANUAL RESET LIMIT-GRAY (M6, M7, M15, M16)
10123535	MANUAL RESET LIMIT-RED (M1, M2, M10, M11)
10123533	MANUAL RESET LIMIT-YELLOW (M3, M4, M5, M8, M9, M12, M13, M14, M17, M18)
10123533	MANUAL RESET LIMIT-YELLOW (M8, M9, M17, M18)
0131M00111S	MOTOR 1/2 HP, SERIAL ECM (M1, M2, M10, M11)
0131M00113S	MOTOR, 1 HP SERIAL ECM (M5, M6, M7, M8, M9, M14, M15, M16, M17, M18)
0131M00112S	MOTOR, 3/4 HP SERIAL ECM (M3, M4, M12, M13)
10716003	ORIFICE (QTY AR)
PCBKF101S	PCB, CONTROL, FURNACE
0130F00111	PRESSURE SWITCH (M5, M14)
11177113	PRESSURE SWITCH-GRAY (M1, M2, M3, M4, M10, M11, M12, M13)
11177114	PRESSURE SWITCH-OLIVE (M6, M7, M8, M9, M15, M16, M17, M18)
20197308	PRESSURE SWITCH-YELLOW
20162907	PRIMARY LIMIT (M3, M4, M12, M13)
20162905	PRIMARY LIMIT-YELLOW (M1, M2, M6, M7, M10, M11, M15, M16)
0130F00008S	SINI IGNITOR
B1141605	TRANSFORMER 120V TO 24V, 40 VA

Expanded Model Nomenclature

M1 - AMVC950453BXAA
M2 - AMVC950453BXAB
M3 - AMVC950704CXAA
M4 - AMVC950704CXAB
M5 - AMVC950905CXAA
M6 - AMVC950905DXAA
M7 - AMVC950905DXAB
M8 - AMVC951155DXAA
M9 - AMVC951155DXAB
M10 - GMVC950453BXAA
M11 - GMVC950453BXAB
M12 - GMVC950704CXAA
M13 - GMVC950704CXAB
M14 - GMVC950905CXAA
M15 - GMVC950905DXAA
M16 - GMVC950905DXAB
M17 - GMVC951155DXAA
M18 - GMVC951155DXAB

HI-124	HOMEOWNERS INSTRUCTIONS
IO-341C	INSTALL INSTRUCT (M5, M14)
IO-661	INSTALL INSTRUCTIONS
IO-341B	INSTALLATION INSTR (M2, M4, M7, M9, M11, M13, M16, M18)
IO-341A	INSTALLATION INSTRUCTIONS (M1, M3, M6, M8, M10, M12, M15, M17)

Cabinet

Image 1

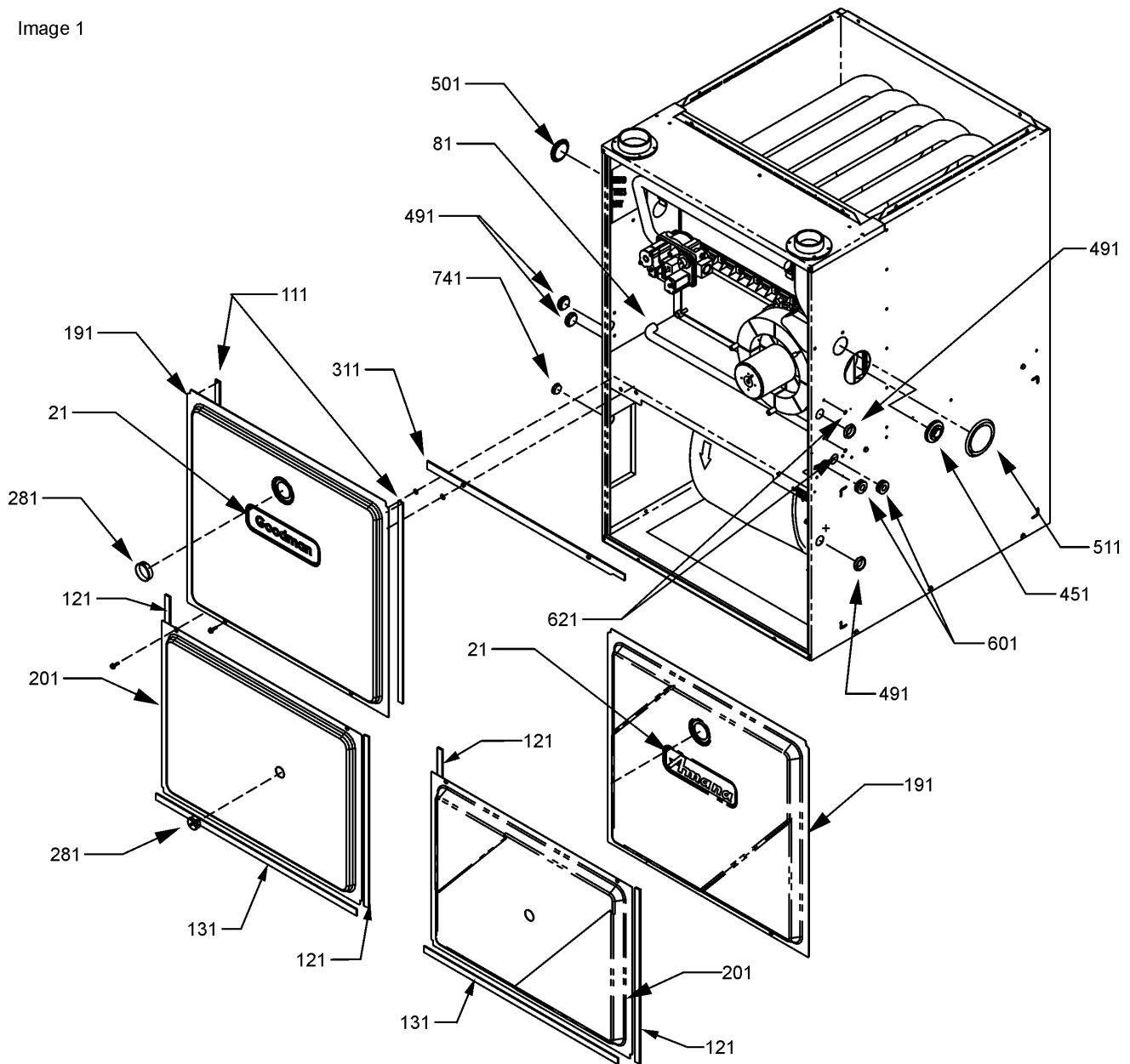
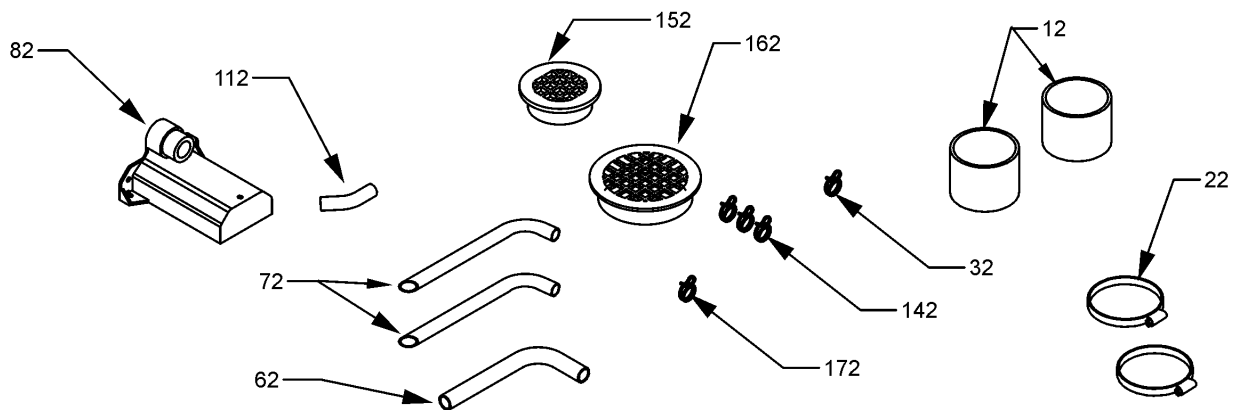


Image 2



Cabinet

Ref. Part No:	Ref. Part No:	Description:	Description:
Image 1:		Expanded Model Nomenclature	
21	0161M00003P	AMANA NAMEPLATE (M1, M2, M3, M4, M5, M6, M7, M8, M9)	M1 - AMVC950453BXAA
21	0161F00000P	GOODMAN NAMEPLATE (M10, M11, M12, M13, M14, M15, M16, M17, M18)	M2 - AMVC950453BXAB
81	20201902	DRAIN HOSE	M3 - AMVC950704CXAA
111	20179308	GASKET (QTY 2)	M4 - AMVC950704CXAB
121	20179311	GASKET (QTY 2)	M5 - AMVC950905CXAA
131	20179311	GASKET (M1, M2, M10, M11)	M6 - AMVC950905DXAA
131	20179312	GASKET (M3, M4, M5, M12, M13, M14)	M7 - AMVC950905DXAB
131	20179313	GASKET (M6, M7, M8, M9, M15, M16, M17, M18)	M8 - AMVC951155DXAA
191	0121F00066LG	ACCESS DOOR (M1, M2)	M9 - AMVC951155DXAB
191	0121F00067LG	ACCESS DOOR (M3, M4, M5)	M10 - GMVC950453BXAA
191	0121F00068LG	ACCESS DOOR (M6, M7, M8, M9)	M11 - GMVC950453BXAB
191	0121F00072DGS	ACCESS DOOR (M10, M11)	M12 - GMVC950704CXAA
191	0121F00073DGS	ACCESS DOOR (M12, M13, M14)	M13 - GMVC950704CXAB
191	0121F00074DGS	ACCESS DOOR (M15, M16, M17, M18)	M14 - GMVC950905CXAA
201	0121F00063LG	BLOWER DOOR (M1, M2)	M15 - GMVC950905DXAA
201	0121F00064LGS	BLOWER DOOR (M3, M4, M5)	M16 - GMVC950905DXAB
201	0121F00065LGS	BLOWER DOOR (M6, M7, M8, M9)	M17 - GMVC951155DXAA
201	0121F00069DGS	BLOWER DOOR (M10, M11)	M18 - GMVC951155DXAB
201	0121F00070DGS	BLOWER DOOR (M12, M13, M14)	
201	0121F00071DGS	BLOWER DOOR (M15, M16, M17, M18)	
281	B1392139	VIEW PORT BUSHING-BLOWER DOOR (QTY 2)	
311	22320001	DECK GASKET (M1, M2, M10, M11)	
311	22320002	DECK GASKET (M3, M4, M5, M12, M13, M14)	
311	22320003	DECK GASKET (M6, M7, M8, M9, M15, M16, M17, M18)	
451	M0501301	PIPE GROMMET	
491	M0570808	BUTTON PLUG (QTY 4)	
501	M0570806	BUTTON PLUG	
511	M0570807	BUTTON PLUG	
601	A4691701	GROMMET (QTY 2)	
621	M0310345	BUTTON PLUG (QTY 2)	
741	B1392104	UNIVERSAL BUSHING UB 875	
NS	10195517Q	STANDPIPE BAG ASSY	
Image 2:			
12	10254303	RUBBER COUPLING	
22	0163M00049	HOSE CLAMP (QTY 2)	
32	M0119207	HOSE CLAMP	
62	20201901	DRAIN HOSE	
72	20201802	DRAIN TUBE (QTY 2)	
82	20171701	DRAIN TRAP	
112	20214203	DRAIN ANGLE	
142	M0119205	HOSE CLAMP (QTY 3)	
152	B2810816	2" MESH INSERT	
162	B2810814	3" MESH INSERT	
172	M0119206	HOSE CLAMP	

Blower Assembly

*If end bells are needed please order the following:

0131M00182 - 1/2 HP

0131M00183 - 3/4 HP

0131M00184 - 1 HP

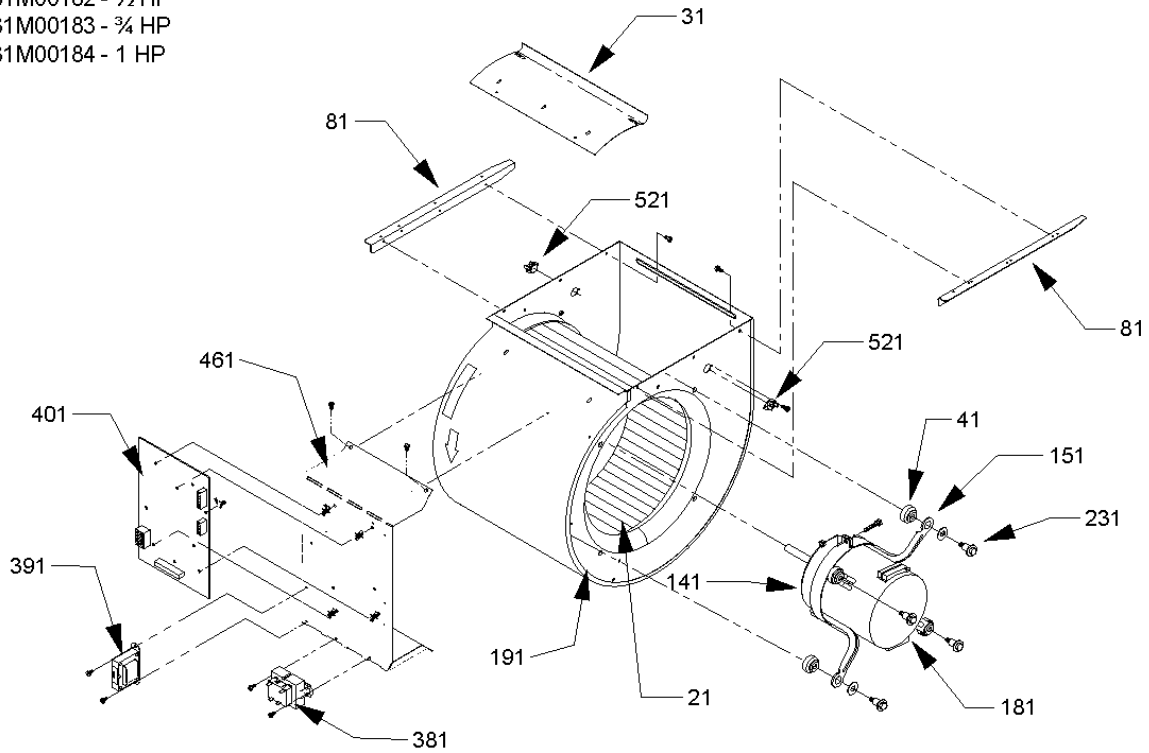
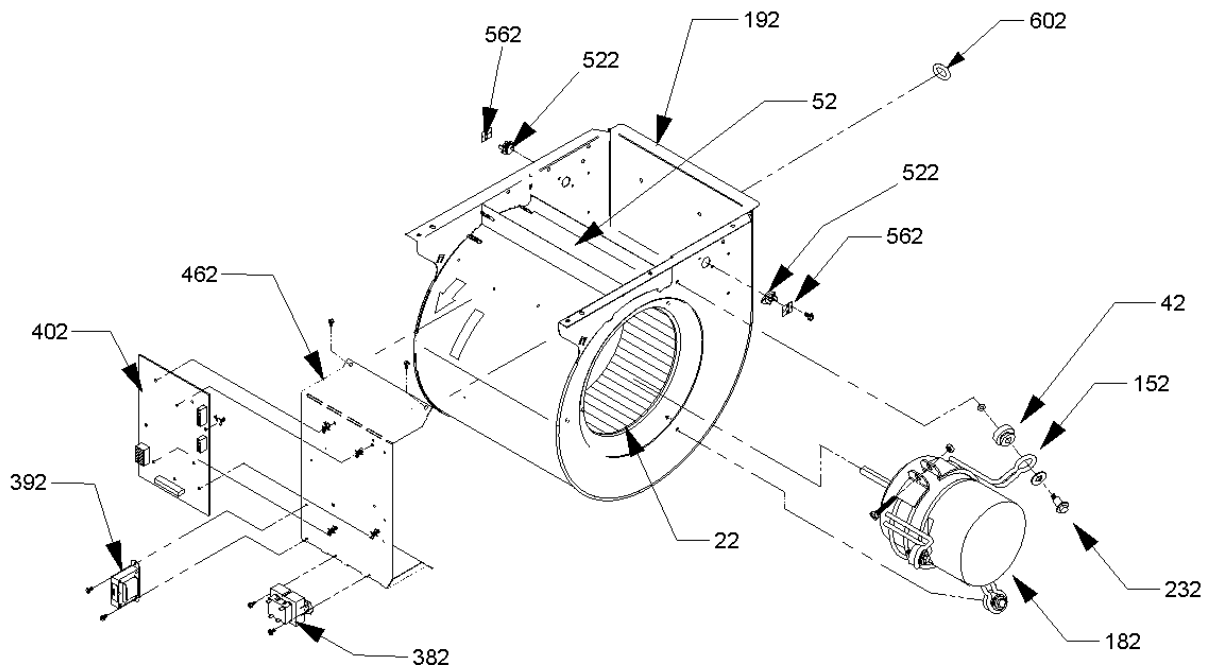


Image 1

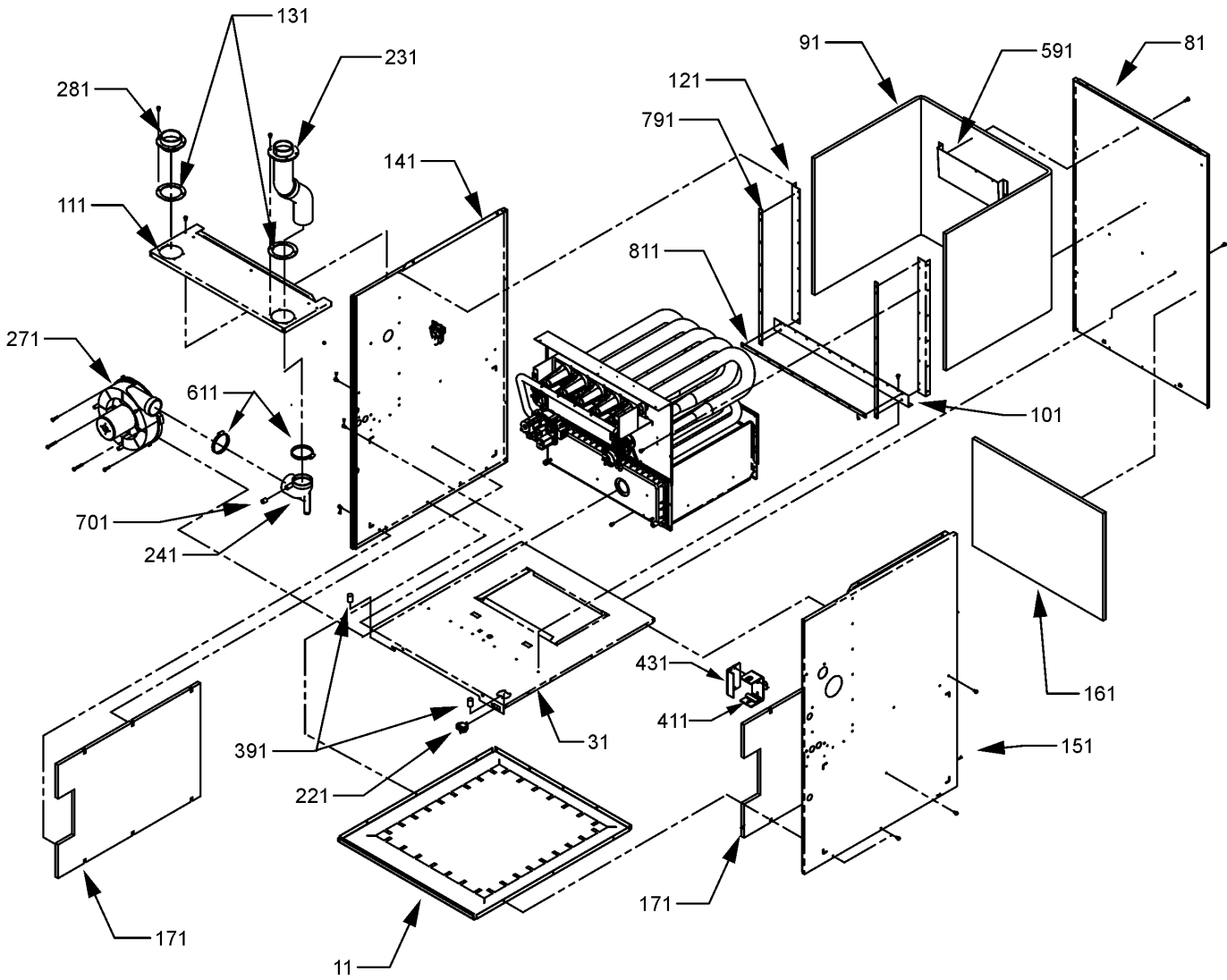
Image 2



Blower Assembly

Ref. Part No:	Ref. Part No:	Description:	Description:	
Image 1:		Image 2:		
21	D6723311S	BLOWER WHEEL (M5, M6, M7, M8, M9, M14, M15, M16, M17, M18)	52 764741F BLOWER BLOCK-OFF 10 X 10 (M3, M4, M12, M13)	
31	C6121807	BLOWER CUT-OFF (M5, M6, M7, M8, M9, M14, M15, M16, M17, M18)	52 764740F BLOWER BLOCK-OFF 10 X 8 (M1, M2, M10, M11)	
41	A4002702	BLOWER MOTOR GROMMET (M5, M6, M7, M8, M9, M14, M15, M16, M17, M18)	152 C9443702 MOTOR MOUNT BRACKET (M1, M2, M3, M4, M10, M11, M12, M13)	
81	20175101	BLOWER SIDE RAIL (M5, M6, M7, M8, M9, M14, M15, M16, M17, M18)	182 0131M00111S MOTOR 1/2 HP, SERIAL ECM (M1, M2, M10, M11)	
141	10441601	MOTOR MOUNT BAND (M5, M6, M7, M8, M9, M14, M15, M16, M17, M18)	182 0131M00112S MOTOR, 3/4 HP SERIAL ECM (M3, M4, M12, M13)	
151	10441501	MOTOR MOUNT ARM (M5, M6, M7, M8, M9, M14, M15, M16, M17, M18)	192 0271F00004P BLOWER HOUSING ASSY 10 X 10 (M3, M4, M12, M13)	
181	0131M00113S	MOTOR, 1 HP SERIAL ECM (M5, M6, M7, M8, M9, M14, M15, M16, M17, M18)	192 0271F00074 BLOWER HOUSING ASSY 10 X 8 (M1, M2, M10, M11)	
191	0271F00047	BLOWER HOUSING ASSY 11 X 10 (M5, M6, M7, M8, M9, M14, M15, M16, M17, M18)	232 M0221461 TC SCREW (M1, M2, M3, M4, M10, M11, M12, M13)	
231	M0221461	TC SCREW (M5, M6, M7, M8, M9, M14, M15, M16, M17, M18)	382 B1141605 TRANSFORMER 120V TO 24V, 40 VA	
381	B1141605	TRANSFORMER 120V TO 24V, 40 VA	392 B1141666 INDUCTOR-5.9 AMP (M3, M4, M12, M13)	
391	B1141666	INDUCTOR-5.9 AMP (M5, M6, M7, M8, M9, M14, M15, M16, M17, M18)	402 PCBKF101S PCB, CONTROL, FURNACE	
401	PCBKF101S	PCB, CONTROL, FURNACE	462 0121F00094 CONTROL MOUNT PANEL	
461	0121F00094	CONTROL MOUNT PANEL	522 10123537 MANUAL RESET LIMIT-GRAY (M3, M4, M12, M13)	
521	10123536	MANUAL RESET LIMIT 180°F (M5, M6, M7, M14, M15, M16)	522 10123535 MANUAL RESET LIMIT-RED (M1, M2, M10, M11)	
521	10123533	MANUAL RESET LIMIT-YELLOW (M8, M9, M17, M18)	562 2509503F AUXILIARY LIMIT BRACKET (M1, M2, M3, M4, M10, M11, M12, M13)	
NS	0259F00040	CONTROL HARNESS	602 B1392021 PLASTIC PLUG, 1" (2713-BLK) (M1, M2, M3, M4, M10, M11, M12, M13)	
NS	0130F00024	DATA, FURNACE PCB (M1)	NS 0259F00040 CONTROL HARNESS	
NS	0130F00025	DATA, FURNACE PCB (M3)	NS 0159F00012 HARNESS, WIRING	
NS	0130F00026	DATA, FURNACE PCB (M6)	NS 0259F00041 POWER HARNESS	
NS	0130F00027	DATA, FURNACE PCB (M8)	NS 0259F00024 WIRE HARNESS-BLOWER	
NS	0130F00031	DATA, FURNACE PCB (M10)	Expanded Model Nomenclature	
NS	0130F00032	DATA, FURNACE PCB (M12)	M1 - AMVC950453BXAA	
NS	0130F00033	DATA, FURNACE PCB (M15)	M2 - AMVC950453BXAB	
NS	0130F00034	DATA, FURNACE PCB (M17)	M3 - AMVC950704CXAA	
NS	0130F00083	DATA, FURNACE PCB (M2)	M4 - AMVC950704CXAB	
NS	0130F00084	DATA, FURNACE PCB (M4)	M5 - AMVC950905CXAA	
NS	0130F00085	DATA, FURNACE PCB (M7)	M6 - AMVC950905DXAA	
NS	0130F00086	DATA, FURNACE PCB (M9)	M7 - AMVC950905DXAB	
NS	0130F00090	DATA, FURNACE PCB (M11)	M8 - AMVC951155DXAA	
NS	0130F00091	DATA, FURNACE PCB (M13)	M9 - AMVC951155DXAB	
NS	0130F00092	DATA, FURNACE PCB (M16)	M10 - GMVC950453BXAA	
NS	0130F00093	DATA, FURNACE PCB (M18)	M11 - GMVC950453BXAB	
NS	0130F00108	DATA, FURNACE PCB (M5)	M12 - GMVC950704CXAA	
NS	0130F00109	DATA, FURNACE PCB (M14)	M13 - GMVC950704CXAB	
NS	0159F00012	HARNESS, WIRING	M14 - GMVC950905CXAA	
NS	0259F00041	POWER HARNESS	M15 - GMVC950905DXAA	
NS	0259F00024	WIRE HARNESS-BLOWER	M16 - GMVC950905DXAB	
			M17 - GMVC951155DXAA	
			M18 - GMVC951155DXAB	
Image 2:		*If end bells are needed please order the following:		
22	B1368047	BLOWER WHEEL 10 X 10 (M3, M4, M12, M13)	0131M00182 - 1/2 HP	
22	B1368016S	BLOWER WHEEL 10 X 8 (M1, M2, M10, M11)	0131M00183 - 3/4 HP	
42	A4002702	BLOWER MOTOR GROMMET (M1, M2, M3, M4, M10, M11, M12, M13)	0131M00184 - 1 HP	

Chassis



Chassis

Ref. Part No:	Ref. Part No:	Description:	Description:
Image 1:		Image 1:	
11	0121F00050DGS	BASE PAN (M1, M2, M10, M11)	NS 0164M00007 PRESSURE SWITCH HOSE (M1, M2, M3, M4, M5, M6, M7, M10, M11, M12, M13, M14, M15, M16, M17, M18)
11	0121F00051DGS	BASE PAN (M3, M4, M5, M12, M13, M14)	
11	0121F00052DG	BASE PAN (M6, M7, M8, M9, M15, M16, M17, M18)	
31	0121F00043	BLOWER DECK (M1, M2, M10, M11)	NS 0164M00011 PRESSURE SWITCH HOSE (M1, M2, M10, M11)
31	0121F00045	BLOWER DECK (M3, M4, M12, M13)	NS 0164M00014 PRESSURE SWITCH HOSE (M3, M4, M5, M6, M7, M12, M13, M14, M15, M16)
31	0121F00048	BLOWER DECK (M6, M7, M8, M9, M15, M16, M17, M18)	
31	0121F00246	BLOWER DECK (M5, M14)	NS 0164M00015 PRESSURE SWITCH HOSE (M8, M9)
81	20273208	BACK PANEL (M1, M2, M10, M11)	NS 0164M00017 PRESSURE SWITCH HOSE (M8, M9, M17, M18)
81	20273210S	BACK PANEL (M3, M4, M5, M12, M13, M14)	
81	20273212S	BACK PANEL (M6, M7, M8, M9, M15, M16, M17, M18)	
91	C6415909	HEAT EXCHANGER INSULATION (M6, M7, M8, M9, M15, M16, M17, M18)	
91	C6415910	HEAT EXCHANGER INSULATION (M1, M2, M10, M11)	
91	C6415911	HEAT EXCHANGER INSULATION (M3, M4, M5, M12, M13, M14)	
101	0121F00018P	DECK RAIL (M1, M2, M10, M11)	
101	0121F00019P	DECK RAIL (M3, M4, M5, M12, M13, M14)	
101	20191303	DECK RAIL (M6, M7, M8, M9, M15, M16, M17, M18)	
111	0270F00001PS	TOP COVER ASSY (M3, M4, M5, M12, M13, M14)	
111	0270F00002PS	TOP COVER ASSY (M6, M7, M8, M9, M15, M16, M17, M18)	
111	0270F00100PS	TOP COVER ASSY (M1, M2, M10, M11)	
121	20191602	SIDE RAIL (M1, M2, M10, M11)	
121	20191603	SIDE RAIL (M3, M4, M5, M12, M13, M14)	
121	20191604	SIDE RAIL (M6, M7, M8, M9, M15, M16, M17, M18)	
131	0154F00000P	COIL GASKET (M1, M2, M10, M11)	
131	0154F00001P	COIL GASKET (M3, M4, M5, M12, M13, M14)	
131	0154F00002P	COIL GASKET (M6, M7, M8, M9, M15, M16, M17, M18)	
141	0121F00092DGS	SIDE PANEL LH	
151	0121F00090DGS	SIDE PANEL RH	
161	20006601	INSULATION (M1, M2, M10, M11)	
161	20006602	INSULATION (M3, M4, M5, M12, M13, M14)	
161	20006603	INSULATION (M6, M7, M8, M9, M15, M16, M17, M18)	
171	20243503	SIDE INSULATION (QTY 2)	
221	B1370818	INTERLOCK SWITCH	
231	22309501	FLUE PIPE	
241	20171802S	ELBOW	
271	20245903S	ID BLOWER	
281	20049701	FA COUPLING	
391	M0275521	PLASTIC SEALER	
411	0161F00004S	JUNCTION BOX	
431	0161F00005S	JUNCTION BOX COVER	
591	11165107	ID BLOWER SHIELD	
611	0163M00049	HOSE CLAMP (QTY 2)	
701	M0326804	TUBE PLUG	
791	20194608	GASKET (QTY 2)	
811	20194605	GASKET (M1, M2, M10, M11)	
811	20194606	GASKET (M3, M4, M5, M12, M13, M14)	
811	20194607	GASKET (M6, M7, M8, M9, M15, M16, M17, M18)	

Expanded Model Nomenclature

M1 - AMVC950453BXAA
M2 - AMVC950453BXAB
M3 - AMVC950704CXAA
M4 - AMVC950704CXAB
M5 - AMVC950905CXAA
M6 - AMVC950905DXAA
M7 - AMVC950905DXAB
M8 - AMVC951155DXAA
M9 - AMVC951155DXAB
M10 - GMVC950453BXAA
M11 - GMVC950453BXAB
M12 - GMVC950704CXAA
M13 - GMVC950704CXAB
M14 - GMVC950905CXAA
M15 - GMVC950905DXAA
M16 - GMVC950905DXAB
M17 - GMVC951155DXAA
M18 - GMVC951155DXAB

Heat Exchanger / Manifold / Gas Valve

Ref. Part No:	Ref. Part No:	Description:	Description:		
Image 1:		Image 2:			
11	0130F00008S	SINI IGNITOR	12	0259M00004	WIRE HARNESS, ADAPTOR (M2, M4, M5, M7, M9, M11, M13, M14, M16, M18)
21	0151M00014	GAS VALVE - HONEYWELL 2-STAGE (M2, M4, M5, M7, M9, M11, M13, M14, M16, M18)			
21	0151F00000P	GAS VALVE - WHITE-RODGERS 2-STAGE (M1, M3, M6, M8, M10, M12, M15, M17)			
31	10716003	ORIFICE (QTY AR)			
41	0130F00010	FLAME SENSOR			
51	0257F00143S	HEAT EXCHANGER ASSY 2B (M1, M2, M10, M11)			
51	0257F00146S	HEAT EXCHANGER ASSY 3B (M3, M4, M12, M13)			
51	0257F00140S	HEAT EXCHANGER ASSY 4B (M6, M7, M15, M16)			
51	0257F00205	HEAT EXCHANGER ASSY 4B (M5, M14)			
51	0257F00174S	HEAT EXCHANGER ASSY 5B (M8, M9, M17, M18)			
71	10735102S	BECKETT BURNER (QTY AR)			
91	20190410	BURNER BRACKET 2B (M1, M2, M10, M11)			
91	20190411	BURNER BRACKET 3B (M3, M4, M12, M13)			
91	20190412	BURNER BRACKET 4B (M5, M6, M7, M14, M15, M16)			
91	20190413	BURNER BRACKET 5B (M8, M9, M17, M18)			
131	20170804AS	FRONT COVER (M1, M2, M10, M11)			
131	20170903AS	FRONT COVER (M3, M4, M12, M13)			
131	20170906A	FRONT COVER (M5, M14)			
131	20171003AS	FRONT COVER (M6, M7, M15, M16)			
131	20171004AS	FRONT COVER (M8, M9, M17, M18)			
141	0154F00000P	COIL GASKET (M1, M2, M10, M11)			
141	0154F00001P	COIL GASKET (M3, M4, M5, M12, M13, M14)			
141	0154F00002P	COIL GASKET (M6, M7, M8, M9, M15, M16, M17, M18)			
151	10123518	MANUAL RESET LIMIT (M1, M2, M10, M11)			
151	10123537	MANUAL RESET LIMIT-GRAY (M6, M7, M15, M16)			
151	10123533	MANUAL RESET LIMIT-YELLOW (M3, M4, M5, M8, M9, M12, M13, M14, M17, M18)			
161	M0326804	TUBE PLUG			
171	20196401	MANIFOLD - 2 BRNR (M1, M2, M10, M11)			
171	20196402	MANIFOLD - 3 BRNR (M3, M4, M12, M13)			
171	20196403	MANIFOLD - 4 BRNR (M5, M6, M7, M14, M15, M16)			
171	20196404	MANIFOLD - 5 BRNR (M8, M9, M17, M18)			
231	A1781105	CAP-VINYL .500 (QTY 2)			
291	20197308	PRESSURE SWITCH-YELLOW			
301	0130F00111	PRESSURE SWITCH (M5, M14)			
301	11177113	PRESSURE SWITCH-GRAY (M1, M2, M3, M4, M10, M11, M12, M13)			
301	11177114	PRESSURE SWITCH-OLIVE (M6, M7, M8, M9, M15, M16, M17, M18)			
321	11072201	ORIFICE SHIELD (M1, M2, M10, M11)			
321	11072202	ORIFICE SHIELD (M3, M4, M12, M13)			
321	11072203	ORIFICE SHIELD (M5, M6, M7, M14, M15, M16)			
321	11072204	ORIFICE SHIELD (M8, M9, M17, M18)			
371	20162904	*PRIMARY LIMIT-TEMPERATURE CONTROL (M8, M9, M17, M18) * Refer to Service Bulletin SF-054r1			
371	0130F00105	LIMIT SWITCH (M5, M14)			
371	20162907	PRIMARY LIMIT (M3, M4, M12, M13)			
371	20162905	PRIMARY LIMIT-YELLOW (M1, M2, M6, M7, M10, M11, M15, M16)			

Expanded Model Nomenclature

M1 - AMVC950453BXAA
M2 - AMVC950453BXAB
M3 - AMVC950704CXAA
M4 - AMVC950704CXAB
M5 - AMVC950905CXAA
M6 - AMVC950905DXAA
M7 - AMVC950905DXAB
M8 - AMVC951155DXAA
M9 - AMVC951155DXAB
M10 - GMVC950453BXAA
M11 - GMVC950453BXAB
M12 - GMVC950704CXAA
M13 - GMVC950704CXAB
M14 - GMVC950905CXAA
M15 - GMVC950905DXAA
M16 - GMVC950905DXAB
M17 - GMVC951155DXAA
M18 - GMVC951155DXAB