



REPAIR PARTS

Tubular Gas Furnaces GMT, GDT, GMTH, GMNT

GDT045-3
GDT070-3
GDT090-4
GDT115-5
GMNT040-3
GMNT060-3
GMNT080-4
GMNT100-4
GMNT120-5
GMT045-3
GMT070-3
GMT070-4
GMT090-3
GMT090-4
GMT090-5
GMT115-5
GMT135-5
GMT140-5
GMTH045-3
GMTH070-4
GMTH090-5
GMTH115-5



Goodman Manufacturing Company, L.P.
5151 San Felipe, Suite 500
Houston, TX 77056

www.goodmanmfg.com

RP-281D
May 2007

Important Information

Index

Functional Parts List	3 - 4
Illustration and Parts	6 - 13

Views shown are for parts illustrations only, not servicing procedures

Rev. D: Updated GMTH070-4 2539302 part number to 2539306.

Text Codes:

AR - As Required

NA - Not Available

NS - Not Shown

00000000 - See Note

QTY - Quantity Example (QTY 3) (If Quantity not shown, Quantity = 1)

M - Model Example (M1) (If M Code not shown, then part is used on all Models)

Expanded Model Nomenclature:

Example M1 - Model#1 M2 - Model#2 M3 - Model#3

Goodman Manufacturing Company, L.P. is not responsible for personal injury or property damage resulting from improper service. Review all service information before beginning repairs.

Warranty service must be performed by an authorized technician, using authorized factory parts. If service is required after the warranty expires, Goodman Manufacturing Company, L.P. also recommends contacting an authorized technician and using authorized factory parts.

Goodman Manufacturing Company, L.P. reserves the right to discontinue, or change at any time, specifications or designs without notice or without incurring obligations.

For assistance within the U.S.A. contact:
Consumer Affairs Department
Goodman Manufacturing Company, L.P.
7401 Security Way
Houston, Texas 77040
877-254-4729-Telephone
713-863-2382-Facsimile

For assistance outside the U.S.A. contact:
International Division
Goodman Manufacturing Company, L.P.
7401 Security Way
Houston, Texas 77040
713-861-2500-Telephone
713-863-2382-Facsimile

Functional Parts

Part

No: Description:

Part No:	Description:	Part No:	Description:
B1370155	AUXILIARY LIMIT SWITCH 120°F (M1, M2, M3, M4, M5, M6, M7, M8, M9)	B1370159	PRESSURE SWITCH -1.1" WC (M7)
CAP100000370VA	CAPACITOR 10/370V (M3, M4, M7, M8, M10, M16, M18, M19)	B1370148	PRESSURE SWITCH -1.39 WC (M5)
CAP125000370RP	CAPACITOR 12.5/370V (M1, M2, M5, M6, M9, M11, M12, M13, M14, M15, M17, M20, M21)	B1370176	PRESSURE SWITCH 47 SP (M2)
0130F00010	FLAME SENSOR	4821400S	PRIMARY HEAT EXCHANGER 2 CELL (M5)
B4026000	GAS MANIFOLD 2 CELL (M1, M5, M10, M14)	4821401S	PRIMARY HEAT EXCHANGER 3 CELL (M6)
B4026001	GAS MANIFOLD 3 CELL (M2, M6, M11, M15, M16)	4821402S	PRIMARY HEAT EXCHANGER 4 CELL (M7)
B4026002	GAS MANIFOLD 4 CELL (M3, M7, M12, M17, M18)	4821403S	PRIMARY HEAT EXCHANGER 5 CELL (M8)
B4026003	GAS MANIFOLD 5 CELL (M4, M8, M13, M19)	4821404S	PRIMARY HEAT EXCHANGER 6 CELL (M9)
B4026004	GAS MANIFOLD 6 CELL (M9, M20, M21)	B1370145	ROLLOUT SWITCH 300°F W/O BRACKET
B1282628	GAS VALVE-36G	4865202	SECONDARY HEAT EXCHANGER 21" (M8)
B1401018S	HOT SURFACE IGNITOR	4865201	SECONDARY HEAT EXCHANGER 17.5" (M7)
B1809913S	HSI BOARD W/9-PIN CONNECTOR	4865203	SECONDARY HEAT EXCHANGER 24.5" (M9)
B4022700	INSHOT BURNER 3" (QTY 2)	2864604S	SECONDARY HEAT EXCHANGER COIL 14" (M5, M6)
B1370187	LIMIT SWITCH, PRIMARY 160°F (M6, M20, M21)	2864605S	SECONDARY HEAT EXCHANGER COIL 17" (M7)
B1370188	LIMIT SWITCH, PRIMARY 170°F (M5, M8, M9)	2864606S	SECONDARY HEAT EXCHANGER COIL 21" (M8)
B1370919	LIMIT SWITCH, PRIMARY 170°F, 7" LG (M16)	4021300S	SUB-ASSY, HEAT EXCHANGER 2 CELL 14" (M1, M10, M14)
B1370920	LIMIT SWITCH, PRIMARY 180°F, 7" LG (M15)	4021301S	SUB-ASSY, HEAT EXCHANGER 3 CELL 14" (M2, M15)
B1370189	LIMIT SWITCH, PRIMARY 200°F (M7)	4021302S	SUB-ASSY, HEAT EXCHANGER 3 CELL 17.5" (M11, M16)
B1370190	LIMIT SWITCH, PRIMARY 210°F (M17, M18)	4021303S	SUB-ASSY, HEAT EXCHANGER 4 CELL 17.5" (M3, M17, M18)
B1370191	LIMIT SWITCH, PRIMARY 220°F (M4, M19)	4021304S	SUB-ASSY, HEAT EXCHANGER 4 CELL 21" (M12)
B1370192	LIMIT SWITCH, PRIMARY 230°F (M10)	4021305S	SUB-ASSY, HEAT EXCHANGER 5 CELL 21" (M4, M13, M19)
B1370193	LIMIT SWITCH, PRIMARY 240°F (M2, M12)	4021306S	SUB-ASSY, HEAT EXCHANGER 6 CELL 24.5" (M20, M21)
B1370921	LIMIT SWITCH, PRIMARY 240°F, 7" LG (M11)	B1141605	TRANSFORMER 120V TO 24V, 40VA
B1370194	LIMIT SWITCH, PRIMARY 250°F (M3)	B4833000S	VENT MOTOR (M5, M6, M7, M8, M9)
B1370195	LIMIT SWITCH, PRIMARY 300°F (M1, M13, M14)	B4059000S	VENT MOTOR (M1, M2, M3, M4, M10, M11, M12, M13, M14, M15, M16, M17, M18, M19, M20, M21)
B1340020S	MOTOR 1/2 HP-DIRECT DRIVE (M3, M4, M7, M8, M10, M16, M18, M19)	4068401	WIRE HARNESS (M10, M11, M12, M13, M14, M15, M16, M17, M18, M19, M20, M21)
B1340025S	MOTOR 1/3 HP, 4 SP, 6 PL (M1, M2)	4068402	WIRE HARNESS, 2-PIN (M10, M11, M12, M13, M14, M15, M16, M17, M18, M19, M20, M21)
B1340021S	MOTOR 1/3 HP-DIRECT DRIVE (M5, M6, M14, M15, M17)	2868411	WIRE HARNESS, 2-PIN (M5, M6, M7, M8, M9)
B1340023S	MOTOR 3/4 HP-DIRECT DRIVE (M9, M11, M12, M13, M20, M21)	2568410	WIRE HARNESS-BLOWER COMP (M1, M2, M3, M4)
10716003	ORIFICE #43 (M1, M2, M3, M4, M10, M11, M12, M13, M14, M15, M16, M17, M18, M19, M20, M21)	2868419	WIRE HARNESS-GMNT (M5, M6, M7, M8, M9)
B4089345	ORIFICE #45 GMT (M5, M6, M7, M8, M9)	2568411	WIRE HARNESS-HEAT EXCHANGER (M1, M2, M3, M4)
B1370150	PRESSURE SWITCH (M4, M6, M8)	2568413	WIRE HARNESS-HSI CONNECT (M1, M2, M3, M4)
B1370142	PRESSURE SWITCH .60" WC (M1, M10, M11, M14, M15, M16, M17, M18)	2568412	WIRE HARNESS-HSI MODULE (M1, M2, M3, M4)
B1370179	PRESSURE SWITCH .75" WC (M3, M9, M13, M19, M20, M21)		
B1370158	PRESSURE SWITCH -0.7" WC (M12)		

Functional Parts

Part

No: Description:

SPECIAL PARTS

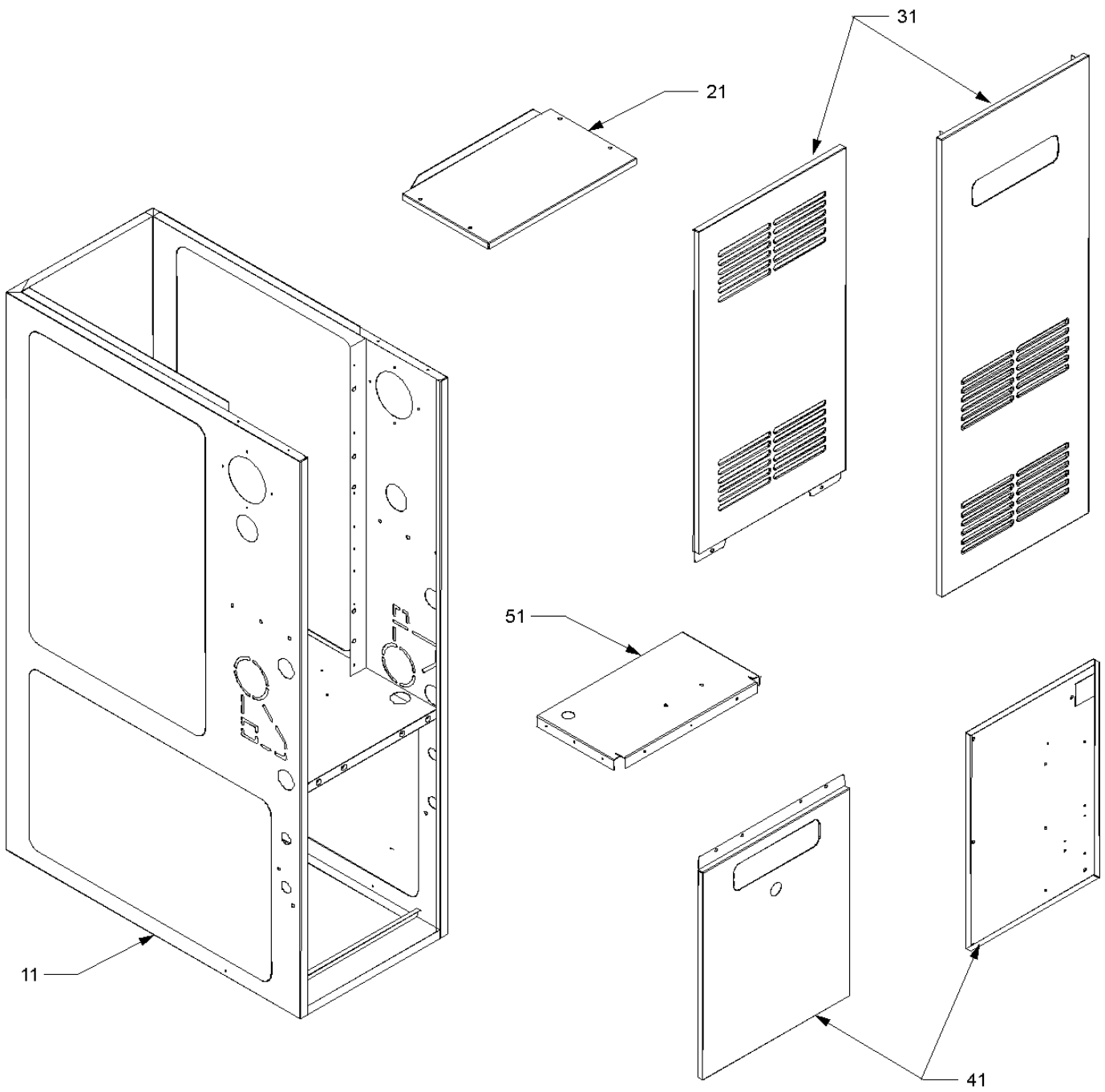
IO-206C	INSTALLATION INSTRUCTIONS GDT (M1, M2, M3, M4)
IO-213B	INSTALLATION INSTRUCTIONS GMNT (M5, M6, M7, M8, M9)
IO-181D	INSTALLATION INSTRUCTIONS GMT&GMTH (M10, M11, M12, M13, M14, M15, M16, M17, M18, M19, M20, M21)
IO-605	LIGHTING INSTRUCTIONS-36G
0161F00000P	NAMEPLATE, GOODMAN (M1, M2, M3, M4)
IO-604	SPECIAL INSTRUCTIONS-36G VALVE
IO-616	SUPPLEMENT
HI-111C	USER'S MANUAL

Expanded Model Nomenclature

M1 - GDT045-3
M2 - GDT070-3
M3 - GDT090-4
M4 - GDT115-5
M5 - GMNT040-3
M6 - GMNT060-3
M7 - GMNT080-4
M8 - GMNT100-4
M9 - GMNT120-5
M10 - GMTH045-3
M11 - GMTH070-4
M12 - GMTH090-5
M13 - GMTH115-5
M14 - GMT045-3
M15 - GMT070-3
M16 - GMT070-4
M17 - GMT090-3
M18 - GMT090-4
M19 - GMT115-5
M20 - GMT135-5
M21 - GMT140-5

THIS PAGE INTENTIONALLY LEFT BLANK

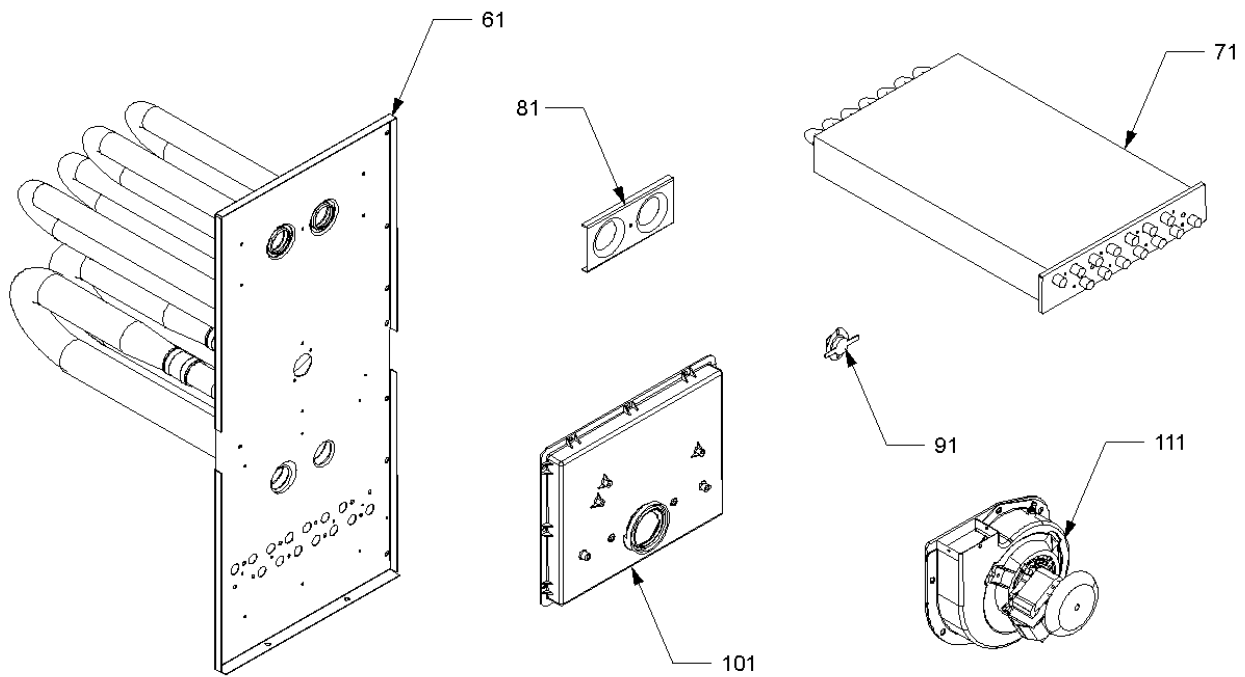
Wrapper Assembly



Wrapper Assembly

Ref Part No:	Description:	Ref. Part No:	Description:
<i>Image 1:</i>		NS B13926111	SEAL STRIP 1/8 X 1/2 X 14 (M1, M2, M5, M6, M10, M14, M15)
11 4016504P	WRAPPER/ INSULATION ASSY 14" (M1, M2)	NS B13926112	SEAL STRIP 1/8 X 1/2 X 17.5 (M3, M7, M10, M11, M12, M13, M16, M17, M18)
11 4026500S	WRAPPER/ INSULATION ASSY 14" (M10, M14, M15)	NS B13926113	SEAL STRIP 1/8 X 1/2 X 21 (M4, M5, M6, M7, M8, M9, M12, M13, M19)
11 4826500S	WRAPPER/ INSULATION ASSY 14" (M5, M6)	NS B13926114	SEAL STRIP 1/8 X 1/2 X 24.5 (M9, M20, M21)
11 4026501S	WRAPPER/ INSULATION ASSY 17.5" (M11, M16, M17, M18)	NS B13926115	SEAL STRIP 3/16 X 1 X 14 (M5, M6)
11 4026505S	WRAPPER/ INSULATION ASSY 17.5" (M3)	NS B13926116	SEAL STRIP 3/16 X 1 X 17.5 (M7)
11 4826501	WRAPPER/ INSULATION ASSY 17.5" (M7)	NS B13926117	SEAL STRIP 3/16 X 1 X 21 (M8)
11 4026502S	WRAPPER/ INSULATION ASSY 21" (M12, M13, M19)	NS B13926118	SEAL STRIP 3/16 X 1 X 24.5 (M9)
11 4026506S	WRAPPER/ INSULATION ASSY 21" (M4)	NS B1392609	SEAL STRIP, RED, 1/8 X 1/2 X 100 (M1, M2, M3, M4, M10, M11, M12, M13, M14, M15, M16, M17, M18, M19, M20, M21)
11 4826502S	WRAPPER/ INSULATION ASSY 21" (M8)	NS B1392139	VIEW PORT BUSHING, CLEAR (M5, M6, M7, M8, M9, M10, M11, M12, M13, M14, M15, M16, M17, M18, M19, M20, M21)
11 4026503S	WRAPPER/ INSULATION ASSY 24.5" (M20, M21)		
11 4826503S	WRAPPER/ INSULATION ASSY 24.5" (M9)		
21 0221F00000PBB	TOP 14" (M1, M2, M10, M14, M15)	Expanded Model Nomenclature <div style="border: 1px solid black; padding: 5px;"> M1 - GDT045-3 M2 - GDT070-3 M3 - GDT090-4 M4 - GDT115-5 M5 - GMNT040-3 M6 - GMNT060-3 M7 - GMNT080-4 M8 - GMNT100-4 M9 - GMNT120-5 M10 - GMTH045-3 M11 - GMTH070-4 M12 - GMTH090-5 M13 - GMTH115-5 M14 - GMT045-3 M15 - GMT070-3 M16 - GMT070-4 M17 - GMT090-3 M18 - GMT090-4 M19 - GMT115-5 M20 - GMT135-5 M21 - GMT140-5 </div>	
21 0221F00015PBB	TOP 14" (M5, M6)		
21 0221F00001PBB	TOP 17.5" (M3, M11, M16, M17, M18)		
21 0221F00016PBB	TOP 17.5" (M7)		
21 0221F00002PBB	TOP 21" (M4, M12, M13, M19)		
21 0221F00017PBB	TOP 21" (M8)		
21 0221F00003PBB	TOP 24.5" (M20, M21)		
21 0221F00018PBB	TOP 24.5" (M9)		
31 4822000	ACCESS DOOR 14" (M5, M6)		
31 4822001	ACCESS DOOR 17.5" (M7)		
31 4822002	ACCESS DOOR 21" (M8)		
31 4822003	ACCESS DOOR 24.5" (M9)		
31 0221F00004PBB	ACCESS DOOR, CONTROL 14" (M10, M14, M15)		
31 0221F00005PBB	ACCESS DOOR, CONTROL 17.5" (M11, M16, M17, M18)		
31 0221F00006PBB	ACCESS DOOR, CONTROL 21" (M12, M13, M19)		
31 0221F00007PBB	ACCESS DOOR, CONTROL 24.5" (M20, M21)		
31 0221F00008PBB	ACCESS DOOR, DOWN FLOW 14" (M1, M2)		
31 0221F00009PBB	ACCESS DOOR, DOWN FLOW 17.5" (M3)		
31 0221F00010PBB	ACCESS DOOR, DOWN FLOW 21" (M4)		
41 0221F00011PBB	BLOWER DOOR 14" (M5, M6, M10, M14, M15)		
41 0221F00012PBB	BLOWER DOOR 17.5" (M7, M8, M11, M12, M13, M16, M17, M18, M19)		
41 0221F00013PBB	BLOWER DOOR 21" (M8, M12, M13, M19)		
41 0221F00014PBB	BLOWER DOOR 24.5" (M9, M20, M21)		
41 2515008	INNER DOOR, BLOWER 14" (M1, M2)		
41 2515009	INNER DOOR, BLOWER 17.5" (M3)		
41 2515010	INNER DOOR, BLOWER 21" (M4)		
51 4825800	COMBUSTION PANEL 14" (M5, M6)		
51 4825801	COMBUSTION PANEL 17.5" (M7)		
51 4825802	COMBUSTION PANEL 21" (M8)		
51 4825803	COMBUSTION PANEL 4.5" (M9)		

Heat Exchanger Assembly



Heat Exchanger Assembly

Ref Part No:	Description:	Ref. Part No:	Description:																					
<i>Image 1:</i>		101 4811005	ASSY, FLUE COLLECTOR BOX 17.5" (M7)																					
61 4821400S	PRIMARY HEAT EXCHANGER 2 CELL (M5)	101 4011008	ASSY, FLUE COLLECTOR BOX 17.5" 1.75" (M3, M11, M16, M17, M18)																					
61 4821401S	PRIMARY HEAT EXCHANGER 3 CELL (M6)	101 4811006	ASSY, FLUE COLLECTOR BOX 21" (M8)																					
61 4821402S	PRIMARY HEAT EXCHANGER 4 CELL (M7)	101 4011010	ASSY, FLUE COLLECTOR BOX 21" 2.00" (M4, M13, M19)																					
61 4821403S	PRIMARY HEAT EXCHANGER 5 CELL (M8)	101 4011009	ASSY, FLUE COLLECTOR BOX 21", 1.75" (M12)																					
61 4821404S	PRIMARY HEAT EXCHANGER 6 CELL (M9)	101 4811007	ASSY, FLUE COLLECTOR BOX 24.5" (M9)																					
61 4021300S	SUB-ASSY, HEAT EXCHANGER 2 CELL 14" (M1, M10, M14)	101 4011011	ASSY, FLUE COLLECTOR BOX 24.5" 2.5" (M20, M21)																					
61 4021301S	SUB-ASSY, HEAT EXCHANGER 3 CELL 14" (M2, M15)	111 B4059000S	VENT MOTOR (M1, M2, M3, M4, M10, M11, M12, M13, M14, M15, M16, M17, M18, M19, M20, M21)																					
61 4021302S	SUB-ASSY, HEAT EXCHANGER 3 CELL 17.5" (M11, M16)	111 B4833000S	VENT MOTOR (M5, M6, M7, M8, M9)																					
61 4021303S	SUB-ASSY, HEAT EXCHANGER 4 CELL 17.5" (M3, M17, M18)	NS B2832512	COIL/LOWER INNER FRONT GASKET (M5, M6)																					
61 4021304S	SUB-ASSY, HEAT EXCHANGER 4 CELL 21" (M12)	NS B2832513	COIL/LOWER INNER FRONT GASKET (M7)																					
61 4021305S	SUB-ASSY, HEAT EXCHANGER 5 CELL 21" (M4, M13, M19)	NS B2832514	COIL/LOWER INNER FRONT GASKET (M8)																					
61 4021306S	SUB-ASSY, HEAT EXCHANGER 6 CELL 24.5" (M20, M21)	NS B2832515	COIL/LOWER INNER FRONT GASKET (M9)																					
71 4865202	SECONDARY HEAT EXCHANGER 21" (M8)	Expanded Model Nomenclature																						
71 4865200	SECONDARY HEAT EXCHANGER 14" (M5, M6)	<table border="1"> <tr><td>M1 - GDT045-3</td></tr> <tr><td>M2 - GDT070-3</td></tr> <tr><td>M3 - GDT090-4</td></tr> <tr><td>M4 - GDT115-5</td></tr> <tr><td>M5 - GMNT040-3</td></tr> <tr><td>M6 - GMNT060-3</td></tr> <tr><td>M7 - GMNT080-4</td></tr> <tr><td>M8 - GMNT100-4</td></tr> <tr><td>M9 - GMNT120-5</td></tr> <tr><td>M10 - GMTH045-3</td></tr> <tr><td>M11 - GMTH070-4</td></tr> <tr><td>M12 - GMTH090-5</td></tr> <tr><td>M13 - GMTH115-5</td></tr> <tr><td>M14 - GMT045-3</td></tr> <tr><td>M15 - GMT070-3</td></tr> <tr><td>M16 - GMT070-4</td></tr> <tr><td>M17 - GMT090-3</td></tr> <tr><td>M18 - GMT090-4</td></tr> <tr><td>M19 - GMT115-5</td></tr> <tr><td>M20 - GMT135-5</td></tr> <tr><td>M21 - GMT140-5</td></tr> </table>		M1 - GDT045-3	M2 - GDT070-3	M3 - GDT090-4	M4 - GDT115-5	M5 - GMNT040-3	M6 - GMNT060-3	M7 - GMNT080-4	M8 - GMNT100-4	M9 - GMNT120-5	M10 - GMTH045-3	M11 - GMTH070-4	M12 - GMTH090-5	M13 - GMTH115-5	M14 - GMT045-3	M15 - GMT070-3	M16 - GMT070-4	M17 - GMT090-3	M18 - GMT090-4	M19 - GMT115-5	M20 - GMT135-5	M21 - GMT140-5
M1 - GDT045-3																								
M2 - GDT070-3																								
M3 - GDT090-4																								
M4 - GDT115-5																								
M5 - GMNT040-3																								
M6 - GMNT060-3																								
M7 - GMNT080-4																								
M8 - GMNT100-4																								
M9 - GMNT120-5																								
M10 - GMTH045-3																								
M11 - GMTH070-4																								
M12 - GMTH090-5																								
M13 - GMTH115-5																								
M14 - GMT045-3																								
M15 - GMT070-3																								
M16 - GMT070-4																								
M17 - GMT090-3																								
M18 - GMT090-4																								
M19 - GMT115-5																								
M20 - GMT135-5																								
M21 - GMT140-5																								
71 4865201	SECONDARY HEAT EXCHANGER 17.5" (M7)																							
71 4865203	SECONDARY HEAT EXCHANGER 24.5" (M9)																							
71 2864604S	SECONDARY HEAT EXCHANGER COIL 14" (M5, M6)																							
71 2864605S	SECONDARY HEAT EXCHANGER COIL 17" (M7)																							
71 2864606S	SECONDARY HEAT EXCHANGER COIL 21" (M8)																							
71 2864607S	SECONDARY HEAT EXCHANGER COIL 24" (M9)																							
81 4028000	ORIFICE PLATE 2 CELL (M1, M5, M10, M14)																							
81 4028001	ORIFICE PLATE 3 CELL (M2, M6, M11, M15, M16)																							
81 4028002	ORIFICE PLATE 4 CELL (M3, M7, M12, M17, M18)																							
81 4028003	ORIFICE PLATE 5 CELL (M4, M8, M13, M19)																							
81 4028004	ORIFICE PLATE 6 CELL (M9, M20, M21)																							
91 B1370187	LIMIT SWITCH, PRIMARY 160°F (M6, M20, M21)																							
91 B1370188	LIMIT SWITCH, PRIMARY 170°F (M5, M8, M9)																							
91 B1370919	LIMIT SWITCH, PRIMARY 170°F, 7" LG (M16)																							
91 B1370920	LIMIT SWITCH, PRIMARY 180°F, 7" LG (M15)																							
91 B1370189	LIMIT SWITCH, PRIMARY 200°F (M7)																							
91 B1370190	LIMIT SWITCH, PRIMARY 210°F (M17, M18)																							
91 B1370191	LIMIT SWITCH, PRIMARY 220°F (M4, M19)																							
91 B1370192	LIMIT SWITCH, PRIMARY 230°F (M10)																							
91 B1370193	LIMIT SWITCH, PRIMARY 240°F (M2, M12)																							
91 B1370921	LIMIT SWITCH, PRIMARY 240°F, 7" LG (M11)																							
91 B1370194	LIMIT SWITCH, PRIMARY 250°F (M3)																							
91 B1370195	LIMIT SWITCH, PRIMARY 300°F (M1, M13, M14)																							
101 4811004	ASSY, FLUE COLLECTOR BOX 14" (M5, M6)																							
101 4011007	ASSY, FLUE COLLECTOR BOX 14" 1.25" (M1, M10, M14)																							
101 4011000	ASSY, FLUE COLLECTOR BOX 14" 1.75" (M2, M15)																							

Burner Box Assembly/Blower Assembly

Image 1

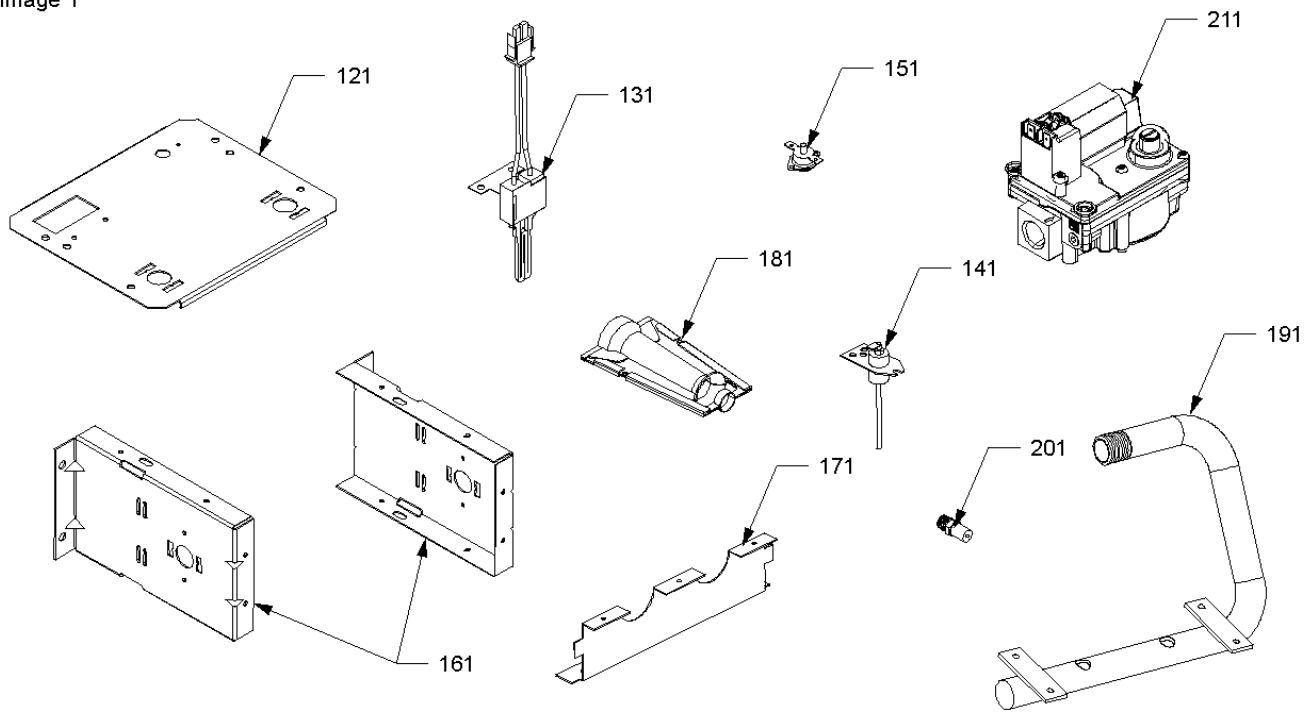
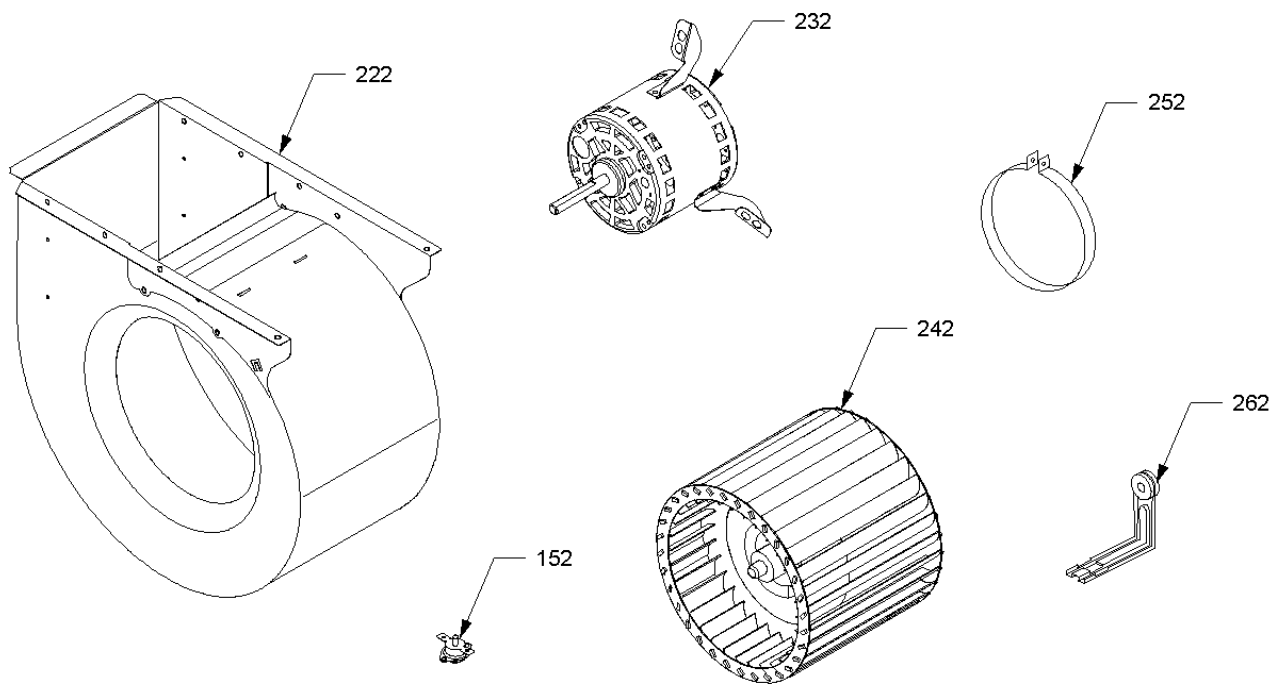


Image 2

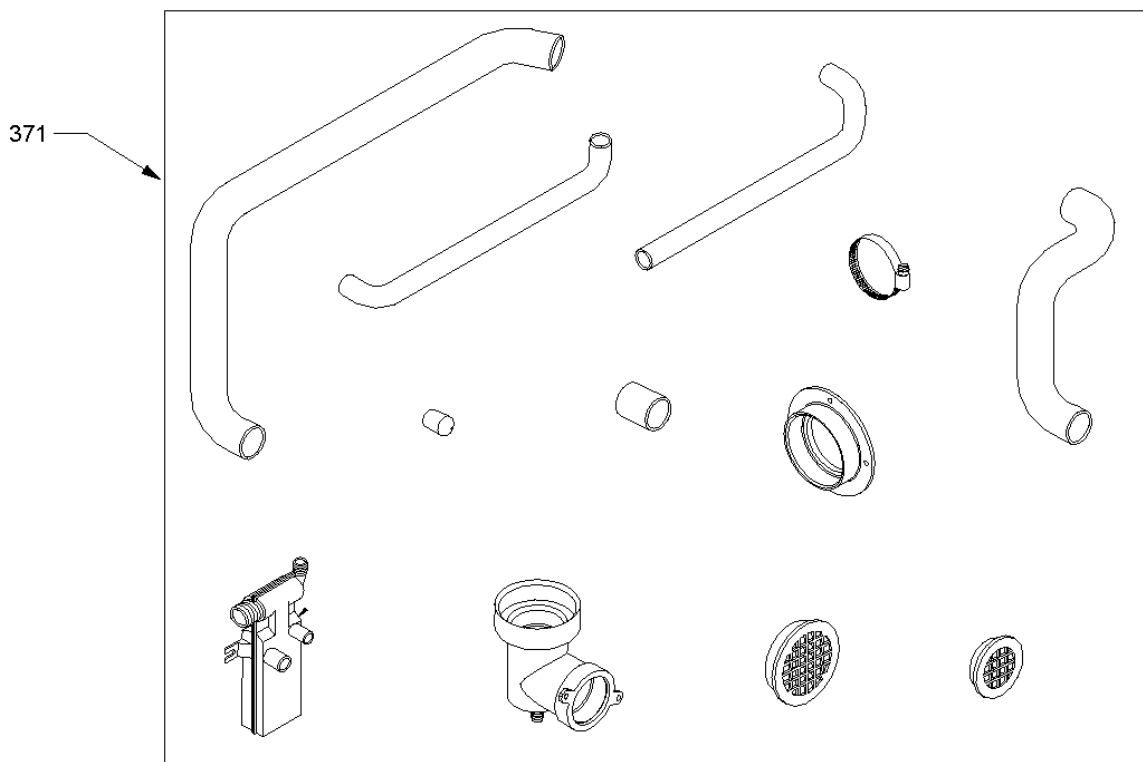
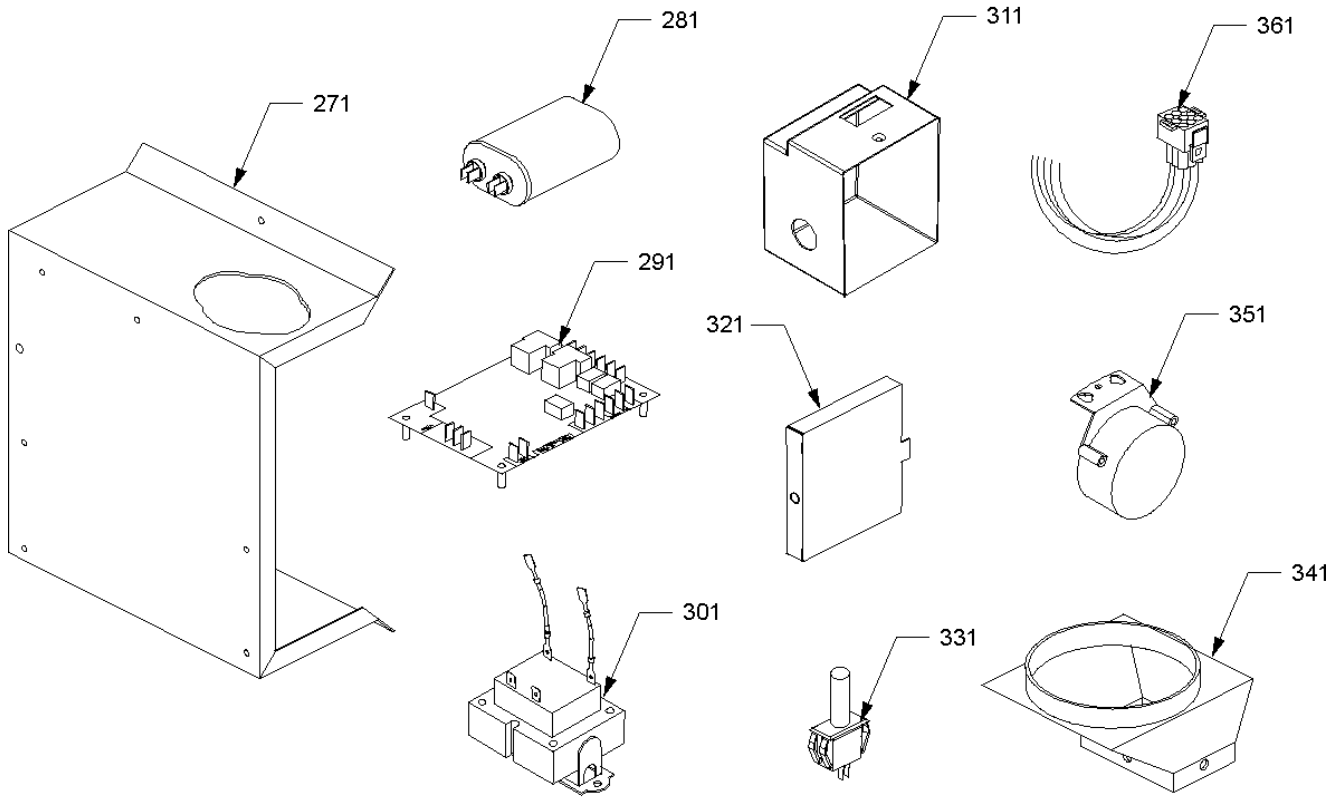


Burner Box Assembly/Blower Assembly

Ref Part No:	Description:	Ref. Part No:	Description:
<i>Image 1:</i>		222	2539302S ASSY, BLOWER SHELL 11 X 10 (M9, M12, M13, M20, M21)
121	4013000 BURNER BOX TOP 2 CELL (M1, M10, M14)	232	B1340020S MOTOR 1/2 HP-DIRECT DRIVE (M3, M4, M7, M8, M10, M16, M18, M19)
121	4013005 BURNER BOX TOP 2 CELL (M5)	232	B1340025S MOTOR 1/3 HP, 4 SP, 6 PL (M1, M2)
121	4013001 BURNER BOX TOP 3 CELL (M2, M11, M15, M16)	232	B1340021S MOTOR 1/3 HP-DIRECT DRIVE (M5, M6, M14, M15, M17)
121	4013006 BURNER BOX TOP 3 CELL (M6)	232	B1340023S MOTOR 3/4 HP-DIRECT DRIVE (M9, M11, M12, M13, M20, M21)
121	4013002 BURNER BOX TOP 4 CELL (M3, M12, M17, M18)	242	B1368047A BLOWER WHEEL 10 X 10 (M4, M8, M19)
121	4013007 BURNER BOX TOP 4 CELL (M7)	242	B1368034S BLOWER WHEEL 10 X 6 (M1, M2, M5, M6, M10, M14, M15)
121	4013003 BURNER BOX TOP 5 CELL (M4, M13, M19)	242	B1368016S BLOWER WHEEL 10 X 8 (M3, M7, M11, M16, M17, M18)
121	4013008 BURNER BOX TOP 5 CELL (M8)	242	B1368000S BLOWER WHEEL 11 X 10 (M9, M12, M13, M20, M21)
121	4013004 BURNER BOX TOP 6 CELL (M20, M21)	252	0121M00038 MOUNT BAND, MOTOR (M9, M11, M12, M13, M20, M21)
121	4013009 BURNER BOX TOP 6 CELL (M9)	262	B1376853 MOUNT ARM, MOTOR (M11)
131	B1401018S HOT SURFACE IGNITOR	262	B1376857 MOUNT ARM, MOTOR (M9, M12, M13, M20, M21)
141	0130F00010 FLAME SENSOR	NS	B1392143 GROMMET, 26TAL F/TORSIN FLEX (M5, M6, M7, M8, M10, M14, M15, M16, M17, M18, M19)
151	B1370155 AUXILIARY LIMIT SWITCH 120°F (M1, M2, M3, M4, M5, M6, M7, M8, M9)	Expanded Model Nomenclature	
161	2514000 SIDE PLATE, BURNER BOX (QTY 2)	<div style="border: 1px solid black; padding: 5px;"> M1 - GDT045-3 M2 - GDT070-3 M3 - GDT090-4 M4 - GDT115-5 M5 - GMNT040-3 M6 - GMNT060-3 M7 - GMNT080-4 M8 - GMNT100-4 M9 - GMNT120-5 M10 - GMTH045-3 M11 - GMTH070-4 M12 - GMTH090-5 M13 - GMTH115-5 M14 - GMT045-3 M15 - GMT070-3 M16 - GMT070-4 M17 - GMT090-3 M18 - GMT090-4 M19 - GMT115-5 M20 - GMT135-5 M21 - GMT140-5 </div>	
171	2513500 BURNER RACK 2 CELL (M1, M5, M10, M14)		
171	2513501 BURNER RACK 3 CELL (M2, M6, M11, M15, M16)		
171	2513502 BURNER RACK 4 CELL (M3, M7, M12, M17, M18)		
171	2513503 BURNER RACK 5 CELL (M4, M8, M13, M19)		
171	2513504 BURNER RACK 6 CELL (M9, M20, M21)		
181	B4022700 INSHOT BURNER 3" (QTY 2)		
191	B4026000 GAS MANIFOLD 2 CELL (M1, M5, M10, M14)		
191	B4026001 GAS MANIFOLD 3 CELL (M2, M6, M11, M15, M16)		
191	B4026002 GAS MANIFOLD 4 CELL (M3, M7, M12, M17, M18)		
191	B4026003 GAS MANIFOLD 5 CELL (M4, M8, M13, M19)		
191	B4026004 GAS MANIFOLD 6 CELL (M9, M20, M21)		
201	10716003 ORIFICE #43 (M1, M2, M3, M4, M10, M11, M12, M13, M14, M15, M16, M17, M18, M19, M20, M21)		
201	B4089345 ORIFICE #45 GMT (M5, M6, M7, M8, M9)		
211	B1282628 GAS VALVE-36G		
NS	764741 BLOWER BLOCK-OFF 10 X 10 (M4, M5, M6, M8, M19)		
NS	764739 BLOWER BLOCK-OFF 10 X 6 (M1, M2, M5, M6, M10, M14, M15)		
NS	764740 BLOWER BLOCK-OFF 10 X 8 (M3, M7, M11, M16, M17, M18)		
NS	1864700 BLOWER CUT-OFF 10 X 10 (M9, M12, M13, M20, M21)		
NS	1864703 BLOWER CUT-OFF ASSY, 5 TON, MORRIS (M9, M12, M13, M20, M21)		
NS	2509503 BRACKET, ROLLOUT SWITCH		
<i>Image 2:</i>			
152	B1370145 ROLLOUT SWITCH 300°F W/O BRACKET		
222	2539307S ASSY, BLOWER SHELL 10 X 10 (M4, M8, M19)		
222	2539305S ASSY, BLOWER SHELL 10 X 6 (M1, M2, M5, M6, M10, M14, M15)		
222	2539306S ASSY, BLOWER SHELL 10 X 8 (M3, M7, M11, M16, M17, M18)		

Misc. Electrical and Hardware

Image 1



Misc. Electrical and Hardware

Ref Part No:	Description:	Ref. Part No:	Description:
<i>Image 1:</i>		Expanded Model Nomenclature	
271 1815817	CONTROL MOUNT PANEL (M5, M6, M7, M8, M9, M10, M11, M12, M13, M14, M15, M16, M17, M18, M19, M20, M21)	M1 - GDT045-3	
281 CAP100000370VA	CAPACITOR 10/370V (M3, M4, M7, M8, M10, M16, M18, M19)	M2 - GDT070-3	
281 CAP125000370RP	CAPACITOR 12.5/370V (M1, M2, M5, M6, M9, M11, M12, M13, M14, M15, M17, M20, M21)	M3 - GDT090-4	
291 B1809913S	HSI BOARD W/9-PIN CONNECTOR	M4 - GDT115-5	
301 B1141605	TRANSFORMER 120V TO 24V, 40VA	M5 - GMNT040-3	
311 4014500	J-BOX	M6 - GMNT060-3	
321 4015500	J-BOX COVER	M7 - GMNT080-4	
331 B1370819	DOOR SWITCH (M1, M2, M3, M4)	M8 - GMNT100-4	
331 B1370820	DOOR SWITCH W/WIRES (M5, M6, M7, M8, M9, M10, M11, M12, M13, M14, M15, M16, M17, M18, M19, M20, M21)	M9 - GMNT120-5	
341 4023500	CHIMNEY TRANSITION TOP (M1, M2, M3, M4, M10, M11, M12, M13, M14, M15, M16, M17, M18, M19, M20, M21)	M10 - GMTH045-3	
351 B1370150	PRESSURE SWITCH (M4, M6, M8)	M11 - GMTH070-4	
351 B1370142	PRESSURE SWITCH .60" WC (M1, M10, M11, M14, M15, M16, M17, M18)	M12 - GMTH090-5	
351 B1370179	PRESSURE SWITCH .75" WC (M3, M9, M13, M19, M20, M21)	M13 - GMTH115-5	
351 B1370158	PRESSURE SWITCH -0.7" WC (M12)	M14 - GMT045-3	
351 B1370159	PRESSURE SWITCH -1.1" WC (M7)	M15 - GMT070-3	
351 B1370148	PRESSURE SWITCH -1.39 WC (M5)	M16 - GMT070-4	
351 B1370176	PRESSURE SWITCH 47 SP (M2)	M17 - GMT090-3	
361 4068401	WIRE HARNESS (M10, M11, M12, M13, M14, M15, M16, M17, M18, M19, M20, M21)	M18 - GMT090-4	
361 2868419	WIRE HARNESS-GMNT (M5, M6, M7, M8, M9)	M19 - GMT115-5	
361 2568413	WIRE HARNESS-HSI CONNECT (M1, M2, M3, M4)	M20 - GMT135-5	
371 B4810708	ASSY, DRAIN KIT 14" (M5, M6)	M21 - GMT140-5	
371 B4810709	ASSY, DRAIN KIT 17.5" (M7)		
371 B4810710	ASSY, DRAIN KIT 21" (M8)		
371 B4810711	ASSY, DRAIN KIT 4.5" (M9)		
NS 1284835	CAPACITOR STRAP (M1, M2, M3, M4)		
NS OBSOLETE	CHIMNEY TRANSITION BOTTOM (M1, M2, M3, M4, M10, M11, M12, M13, M14, M15, M16, M17, M18, M19, M20, M21)		
NS B1392705	PRESSURE SWITCH HOSE 1/4" ID X 3/8 (M1, M2, M3, M4, M10, M11, M12, M13, M14, M15, M16, M17, M18, M19, M20, M21)		
NS A3468601	PRESSURE SWITCH HOSE 3/16" I.D. X 1/4 (M5, M6, M7, M8, M9)		