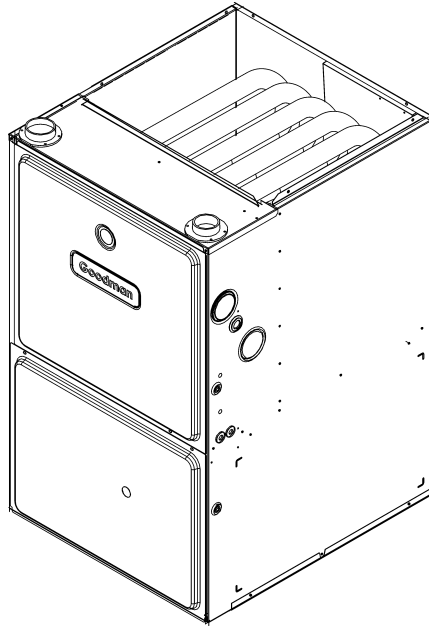


GMH95 Upflow Hybrid 95% Furnace

GMH950453BXAA
GMH950453BXAB
GMH950453BXAC
GMH950703BXAA
GMH950703BXAB
GMH950703BXAC
GMH950703BXAD
GMH950704CXAA
GMH950704CXAB
GMH950704CXAC
GMH950904CXAA
GMH950904CXAB
GMH950904CXAC
GMH950904CXAD
GMH950905CXAA
GMH950905DXAA
GMH950905DXAB
GMH950905DXAC
GMH951155DXAA
GMH951155DXAB
GMH951155DXAC
GMH951155DXAD



This manual is to be used by qualified technicians only.

This manual replaces RP-408D

© 2006-2007, 2010 Goodman Manufacturing Company, L.P. ♦ 5151 San Felipe, Suite 500 ♦ Houston, TX 77056

Important Information

Index

Functional Parts List	3
Illustration and Parts	4 - 13

Views shown are for parts illustrations only, not servicing procedures

Revision E: Added GMH950905CXAA model.

Text Codes:

AR - As Required

NA - Not Available

NS - Not Shown

00000000 - See Note

QTY - Quantity Example (QTY 3) (If Quantity not shown, Quantity = 1)

M - Model Example (M1) (If M Code not shown, then part is used on all Models)

Expanded Model Nomenclature:

Example M1 - Model#1 M2 - Model#2 M3 - Model#3

Goodman Manufacturing Company, L.P. is not responsible for personal injury or property damage resulting from improper service. Review all service information before beginning repairs.

Warranty service must be performed by an authorized technician, using authorized factory parts. If service is required after the warranty expires, Goodman Manufacturing Company, L.P. also recommends contacting an authorized technician and using authorized factory parts.

Goodman Manufacturing Company, L.P. reserves the right to discontinue, or change at any time, specifications or designs without notice or without incurring obligations.

For assistance within the U.S.A. contact:
Consumer Affairs Department
Goodman Manufacturing Company, L.P.
7401 Security Way
Houston, Texas 77040
877-254-4729-Telephone
713-863-2382-Facsimile

For assistance outside the U.S.A. contact:
International Division
Goodman Manufacturing Company, L.P.
7401 Security Way
Houston, Texas 77040
713-861-2500-Telephone
713-863-2382-Facsimile

Functional Parts

Part

No: Description:

Part No:	Description:	Part No:	Description:
10735102S	BECKETT BURNER (QTY AR)	20162904	PRIMARY LIMIT-TEMPERATURE CONTROL (M1, M2, M3, M11, M12, M13, M14)
0131F00022	BLOWER MOTOR 1/2 HP, 4 SP, 6 PL (M8, M9, M10, M11, M12, M13, M14)	0130F00008S	SINI IGNITOR
0131F00020	BLOWER MOTOR 1/3 HP, 4 SP, 6 PL (M1, M2, M3, M4, M5, M6, M7)	0130F00110	SWITCH, PRESSURE (M15)
10759415S	BLOWER MOTOR 3/4 HP, 4 SP, 8 PL (M15, M16, M17, M18, M19, M20, M21, M22)	B1141605	TRANSFORMER 120V TO 24V, 40 VA
D6723311S	BLOWER WHEEL (M15, M16, M17, M18, M19, M20, M21, M22)	SPECIAL PARTS	
B1368047	BLOWER WHEEL 10 X 10 (M8, M9, M10, M11, M12, M13, M14)	HI-115B	HOMEOWNERS INSTRUCTIONS
B1368058S	BLOWER WHEEL 10 X 8 (M1, M2, M3, M4, M5, M6, M7)	IO-661	INSTALL INSTRUCTIONS
CAP125000370VAS	CAPACITOR 12.5/370V (M1, M2, M3, M4, M5, M6, M7)	IO-299H	INSTALLATION INSTR (M3, M7, M10, M14, M18, M22)
CAP150000370VAS	CAPACITOR 15/370V (M15, M16, M17, M18, M19, M20, M21, M22)	IO-299J	INSTALLATION INSTR (M15)
CAP200000370VAS	CAPACITOR 20/370V (M8, M9, M10, M11, M12, M13, M14)	IO-299G	INSTALLATION INSTRUCTIONS (M1, M2, M4, M5, M6, M8, M9, M11, M12, M13, M16, M17, M19, M20, M21)
0130F00010	FLAME SENSOR	IO-669	INSTALL-HUMIDIFIER
0151M00014	GAS VALVE - HONEYWELL 2-STAGE (M3, M7, M10, M14, M15, M18, M22)	Expanded Model Nomenclature	
0151F00000P	GAS VALVE - WHITE-RODGERS 2-STAGE (M1, M2, M4, M5, M6, M8, M9, M11, M12, M13, M16, M17, M19, M20, M21)	M1 - GMH950453BXAA	
22307501S	ID BLOWER	M2 - GMH950453BXAB	
PCBBF122S	IGNITION BOARD, HSI INTEGRATED 2-STG	M3 - GMH950453BXAC	
B1370818	INTERLOCK SWITCH	M4 - GMH950703BXAA	
0130F00105	LIMIT SWITCH (M15)	M5 - GMH950703BXAB	
10123519	MANUAL RESET LIMIT (M19, M20, M21, M22)	M6 - GMH950703BXAC	
10123517	MANUAL RESET LIMIT (M15)	M7 - GMH950703BXAD	
10123535	MANUAL RESET LIMIT-RED (M1, M2, M3, M4, M5, M6, M7, M8, M9, M10, M11, M12, M13, M14, M16, M17, M18)	M8 - GMH950704CXAA	
10123533	MANUAL RESET LIMIT-YELLOW (M1, M2, M3, M4, M5, M6, M7, M8, M9, M10, M11, M12, M13, M14, M16, M17, M18, M19, M20, M21, M22)	M9 - GMH950704CXAB	
10716003	ORIFICE (QTY AR)	M10 - GMH950704CXAC	
0130F00001P	PRESSURE SWITCH-GRAY (M1, M2, M3, M8, M9, M10, M11, M12, M13, M14, M16, M17, M18, M19, M20, M21, M22)	M11 - GMH950904CXAA	
20197312	PRESSURE SWITCH-LIGHT BLUE (M1, M2, M3, M4, M5, M6, M7, M8, M9, M10, M16, M17, M18)	M12 - GMH950904CXAB	
0130F00002P	PRESSURE SWITCH-OLIVE (M4, M5, M6, M7)	M13 - GMH950904CXAC	
20197310	PRESSURE SWITCH-ORANGE (M11, M12, M13, M14, M19, M20, M21, M22)	M14 - GMH950904CXAD	
20197308	PRESSURE SWITCH-YELLOW (M15)	M15 - GMH950905CXAA	
20162903	PRIMARY LIMIT - BLUE (M4, M5, M6, M7, M8, M9, M10, M16, M17, M18, M21, M22)	M16 - GMH950905DXAA	
0130F00038	PRIMARY LIMIT - LT BLUE 120° (M15)	M17 - GMH950905DXAB	
20162906	PRIMARY LIMIT - WHITE (M19, M20)	M18 - GMH950905DXAC	
		M19 - GMH951155DXAA	
		M20 - GMH951155DXAB	
		M21 - GMH951155DXAC	
		M22 - GMH951155DXAD	

Cabinet

Image 1

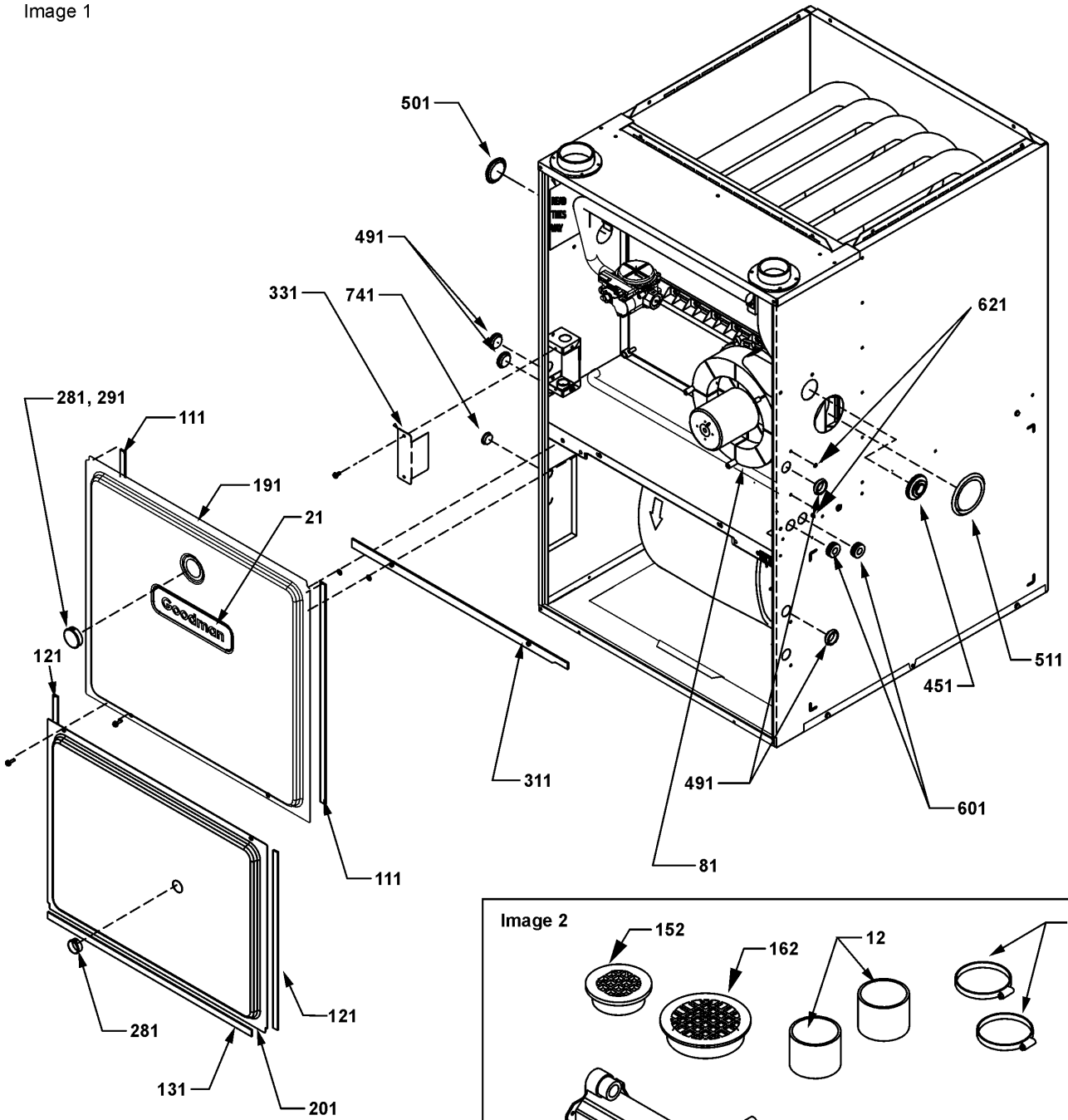
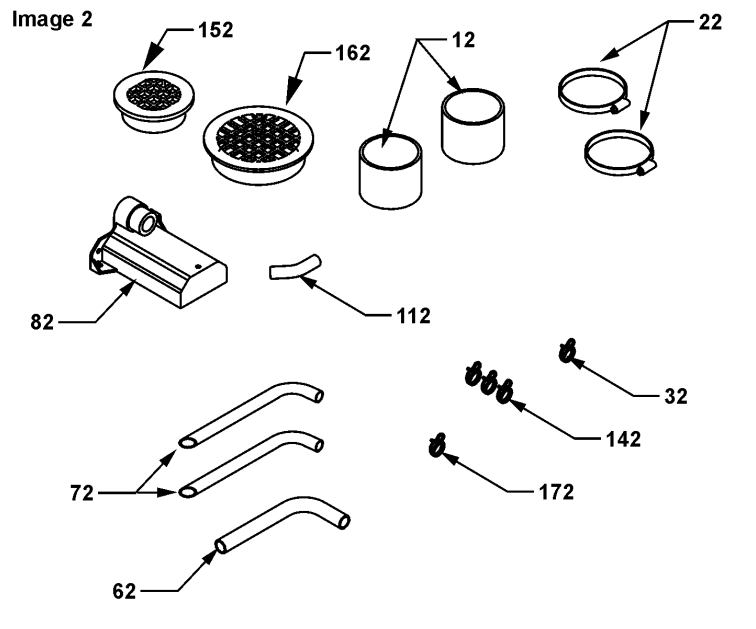


Image 2



Cabinet

**Ref. Part
No: No:**

Description:

**Ref. Part
No: No:**

Description:

Image 1:

21	0161F00000P	GOODMAN NAMEPLATE
81	20201902	DRAIN HOSE
111	20179308	GASKET (QTY 2)
121	20179311	GASKET (M2, M3, M6, M7, M9, M10, M13, M14, M15, M17, M18, M21, M22)
131	20179311	GASKET (M2, M3, M6, M7)
131	20179312	GASKET (M9, M10, M13, M14, M15)
131	20179313	GASKET (M17, M18, M21, M22)
191	0121F00072DGS	ACCESS DOOR (M1, M2, M3, M4, M5, M6, M7)
191	0121F00073DGS	ACCESS DOOR (M8, M9, M10, M11, M12, M13, M14, M15)
191	0121F00074DGS	ACCESS DOOR (M16, M17, M18, M19, M20, M21, M22)
201	0121F00069DGS	BLOWER DOOR (M1, M2, M3, M4, M5, M6, M7)
201	0121F00070DGS	BLOWER DOOR (M8, M9, M10, M11, M12, M13, M14, M15)
201	0121F00071DGS	BLOWER DOOR (M16, M17, M18, M19, M20, M21, M22)
281	B1392139	VIEW PORT BUSHING-BLOWER DOOR
291	11104002	VIEW PORT BUSHING-ACCESS DOOR (M1, M4, M8, M11, M16, M19)
311	22320001	DECK GASKET (M1, M2, M3, M4, M5, M6, M7)
311	22320002	DECK GASKET (M8, M9, M10, M11, M12, M13, M14, M15)
311	22320003	DECK GASKET (M16, M17, M18, M19, M20, M21, M22)
331	10736201	COVER, HIGH VOLTAGE BOX (M1, M4, M8, M11, M16, M19)
451	M0501301	PIPE GROMMET
491	M0570808	BUTTON PLUG (QTY 4)
501	M0570806	BUTTON PLUG
511	M0570807	BUTTON PLUG
601	A4691701	GROMMET (QTY 2)
621	M0310345	BUTTON PLUG (QTY 2)
741	B1392104	UNIVERSAL BUSHING UB 875
NS	10195517Q	STANDPIPE BAG ASSY

Expanded Model Nomenclature

M1 - GMH950453BXAA
M2 - GMH950453BXAB
M3 - GMH950453BXAC
M4 - GMH950703BXAA
M5 - GMH950703BXAB
M6 - GMH950703BXAC
M7 - GMH950703BXAD
M8 - GMH950704CXAA
M9 - GMH950704CXAB
M10 - GMH950704CXAC
M11 - GMH950904CXAA
M12 - GMH950904CXAB
M13 - GMH950904CXAC
M14 - GMH950904CXAD
M15 - GMH950905CXAA
M16 - GMH950905DXAA
M17 - GMH950905DXAB
M18 - GMH950905DXAC
M19 - GMH951155DXAA
M20 - GMH951155DXAB
M21 - GMH951155DXAC
M22 - GMH951155DXAD

Image 2:

12	10254303	RUBBER COUPLING
22	0163M00049	HOSE CLAMP (QTY 2)
32	M0119207	HOSE CLAMP
62	20201901	DRAIN HOSE
72	20201802	DRAIN TUBE (QTY 2)
82	20171701	DRAIN TRAP
112	20214203	DRAIN ANGLE
142	M0119205	HOSE CLAMP (QTY 3)
152	B2810816	2" MESH INSERT
162	B2810814	3" MESH INSERT
172	M0119206	HOSE CLAMP

Blower Assembly

Image 1

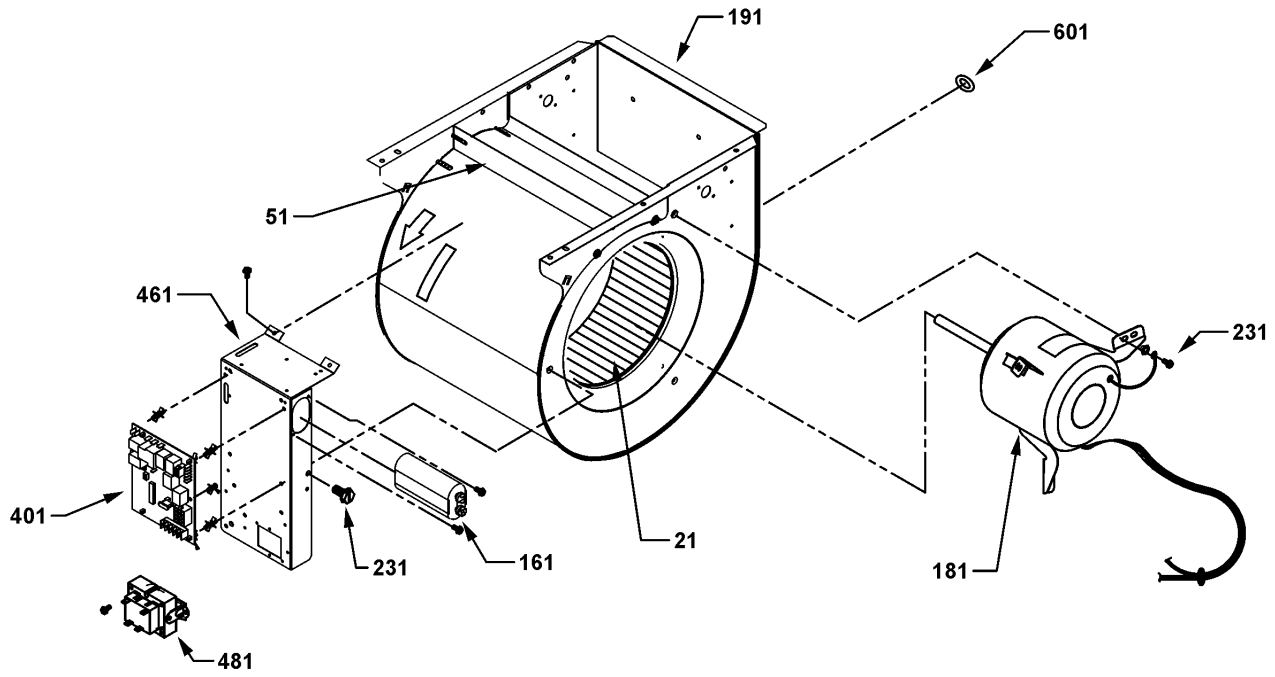
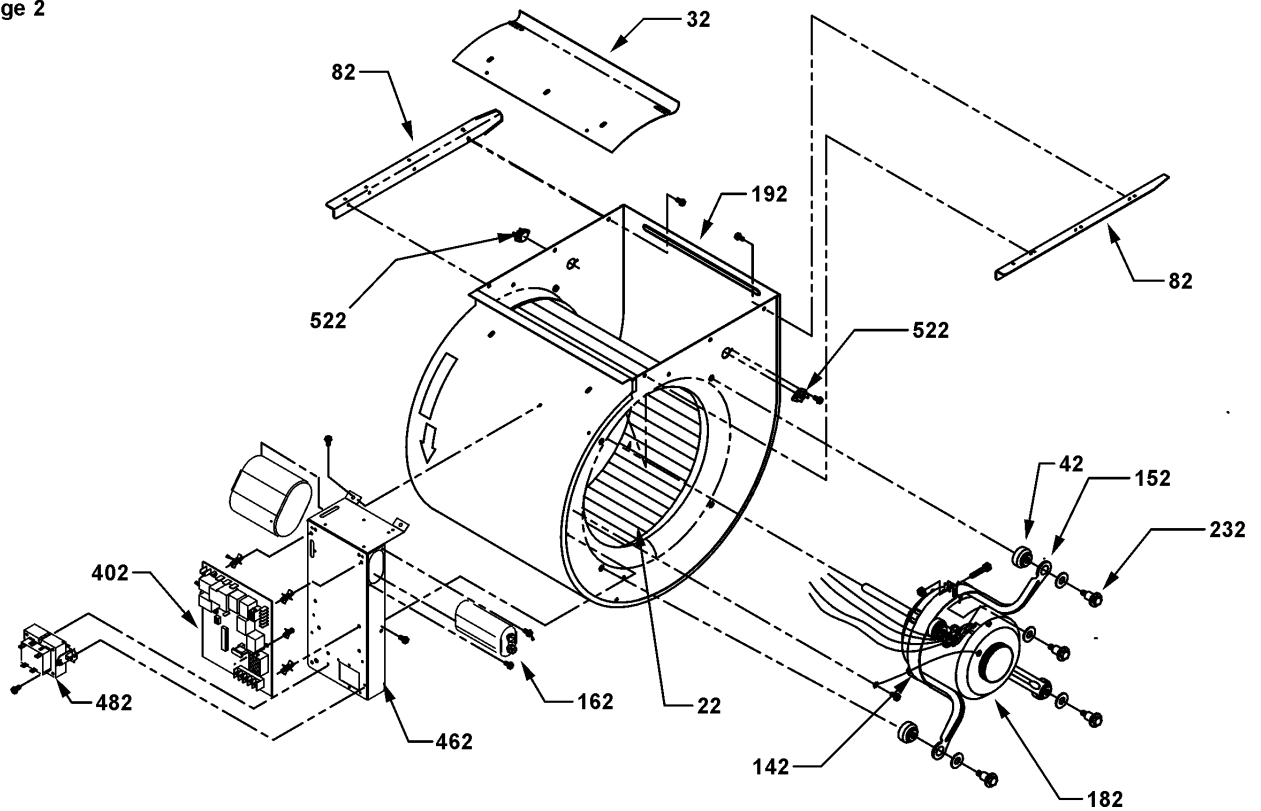


Image 2



Blower Assembly

Ref. Part No:	No:	Description:	Ref. Part No:	No:	Description:																						
<i>Image 1:</i>			<i>Image 2:</i>																								
21	B1368047	BLOWER WHEEL 10 X 10 (M8, M9, M10, M11, M12, M13, M14)	522	0130F00038	PRIMARY LIMIT - LT BLUE 120° (M15)																						
21	B1368058S	BLOWER WHEEL 10 X 8 (M1, M2, M3, M4, M5, M6, M7)	NS	0159F00002	HARNESS-WIRING (M16, M17, M18, M19, M20, M21, M22)																						
51	764741F	BLOWER BLOCK-OFF 10 X 10 (M8, M9, M10, M11, M12, M13, M14)	NS	0159F00010	HARNESS-WIRING (M15)																						
51	764740F	BLOWER BLOCK-OFF 10 X 8 (M1, M2, M3, M4, M5, M6, M7)	NS	0259F00024	WIRE HARNESS-BLOWER (M15)																						
161	CAP125000370VAS	CAPACITOR 12.5/370V (M1, M2, M3, M4, M5, M6, M7)	Expanded Model Nomenclature																								
161	CAP200000370VAS	CAPACITOR 20/370V (M8, M9, M10, M11, M12, M13, M14)	<table border="1"> <tr><td>M1 - GMH950453BXAA</td></tr> <tr><td>M2 - GMH950453BXAB</td></tr> <tr><td>M3 - GMH950453BXAC</td></tr> <tr><td>M4 - GMH950703BXAA</td></tr> <tr><td>M5 - GMH950703BXAB</td></tr> <tr><td>M6 - GMH950703BXAC</td></tr> <tr><td>M7 - GMH950703BXAD</td></tr> <tr><td>M8 - GMH950704CXAA</td></tr> <tr><td>M9 - GMH950704CXAB</td></tr> <tr><td>M10 - GMH950704CXAC</td></tr> <tr><td>M11 - GMH950904CXAA</td></tr> <tr><td>M12 - GMH950904CXAB</td></tr> <tr><td>M13 - GMH950904CXAC</td></tr> <tr><td>M14 - GMH950904CXAD</td></tr> <tr><td>M15 - GMH950905CXAA</td></tr> <tr><td>M16 - GMH950905DXAA</td></tr> <tr><td>M17 - GMH950905DXAB</td></tr> <tr><td>M18 - GMH950905DXAC</td></tr> <tr><td>M19 - GMH951155DXAA</td></tr> <tr><td>M20 - GMH951155DXAB</td></tr> <tr><td>M21 - GMH951155DXAC</td></tr> <tr><td>M22 - GMH951155DXAD</td></tr> </table>			M1 - GMH950453BXAA	M2 - GMH950453BXAB	M3 - GMH950453BXAC	M4 - GMH950703BXAA	M5 - GMH950703BXAB	M6 - GMH950703BXAC	M7 - GMH950703BXAD	M8 - GMH950704CXAA	M9 - GMH950704CXAB	M10 - GMH950704CXAC	M11 - GMH950904CXAA	M12 - GMH950904CXAB	M13 - GMH950904CXAC	M14 - GMH950904CXAD	M15 - GMH950905CXAA	M16 - GMH950905DXAA	M17 - GMH950905DXAB	M18 - GMH950905DXAC	M19 - GMH951155DXAA	M20 - GMH951155DXAB	M21 - GMH951155DXAC	M22 - GMH951155DXAD
M1 - GMH950453BXAA																											
M2 - GMH950453BXAB																											
M3 - GMH950453BXAC																											
M4 - GMH950703BXAA																											
M5 - GMH950703BXAB																											
M6 - GMH950703BXAC																											
M7 - GMH950703BXAD																											
M8 - GMH950704CXAA																											
M9 - GMH950704CXAB																											
M10 - GMH950704CXAC																											
M11 - GMH950904CXAA																											
M12 - GMH950904CXAB																											
M13 - GMH950904CXAC																											
M14 - GMH950904CXAD																											
M15 - GMH950905CXAA																											
M16 - GMH950905DXAA																											
M17 - GMH950905DXAB																											
M18 - GMH950905DXAC																											
M19 - GMH951155DXAA																											
M20 - GMH951155DXAB																											
M21 - GMH951155DXAC																											
M22 - GMH951155DXAD																											
181	0131F00022	BLOWER MOTOR 1/2 HP, 4 SP, 6 PL (M8, M9, M10, M11, M12, M13, M14)																									
181	0131F00020	BLOWER MOTOR 1/3 HP, 4 SP, 6 PL (M1, M2, M3, M4, M5, M6, M7)																									
191	0271F00003PS	BLOWER HOUSING ASSY 10 X 10 (M8, M9, M10, M11, M12, M13, M14)																									
191	0271F00000P	BLOWER HOUSING ASSY 10 X 8 (M1, M2, M3, M4, M5, M6, M7)																									
231	M0250558	TC SCREW (M1, M2, M3, M4, M5, M6, M7, M8, M9, M10, M11, M12, M13, M14)																									
401	PCBBF122S	IGNITION BOARD, HSI INTEGRATED 2-STG																									
461	0121F00025P	CONTROL BRACKET																									
481	B1141605	TRANSFORMER 120V TO 24V, 40 VA																									
601	B1392021	PLASTIC PLUG, 1" (2713-BLK) (M1, M2, M3, M4, M5, M6, M7, M8, M9, M10, M11, M12, M13, M14)																									
NS	0159F00002	HARNESS-WIRING (M1, M2, M3, M4, M5, M6, M7, M8, M9, M10, M11, M12, M13, M14)																									
<i>Image 2:</i>																											
22	D6723311S	BLOWER WHEEL (M15, M16, M17, M18, M19, M20, M21, M22)																									
32	C6121807	BLOWER CUT-OFF (M15, M16, M17, M18, M19, M20, M21, M22)																									
42	A4002702	BLOWER MOTOR GROMMET (M15, M16, M17, M18, M19, M20, M21, M22)																									
82	20175101	BLOWER SIDE RAIL (M15, M16, M17, M18, M19, M20, M21, M22)																									
142	10441601	MOTOR MOUNT BAND (M15, M16, M17, M18, M19, M20, M21, M22)																									
152	10441501	MOTOR MOUNT ARM (M15, M16, M17, M18, M19, M20, M21, M22)																									
162	CAP150000370VAS	CAPACITOR 15/370V (M15, M16, M17, M18, M19, M20, M21, M22)																									
182	10759415S	BLOWER MOTOR 3/4 HP, 4 SP, 8 PL (M15, M16, M17, M18, M19, M20, M21, M22)																									
192	0271F00047	BLOWER HOUSING ASSY 11 X 10 (M15)																									
192	0271F00048	BLOWER HOUSING ASSY 11 X 10 (M16, M17, M18, M19, M20, M21, M22)																									
232	M0221461	TC SCREW (M15, M16, M17, M18, M19, M20, M21, M22)																									
402	PCBBF122S	IGNITION BOARD, HSI INTEGRATED 2-STG																									
462	0121F00025P	CONTROL BRACKET																									
482	B1141605	TRANSFORMER 120V TO 24V, 40 VA																									

Chassis

Image 1

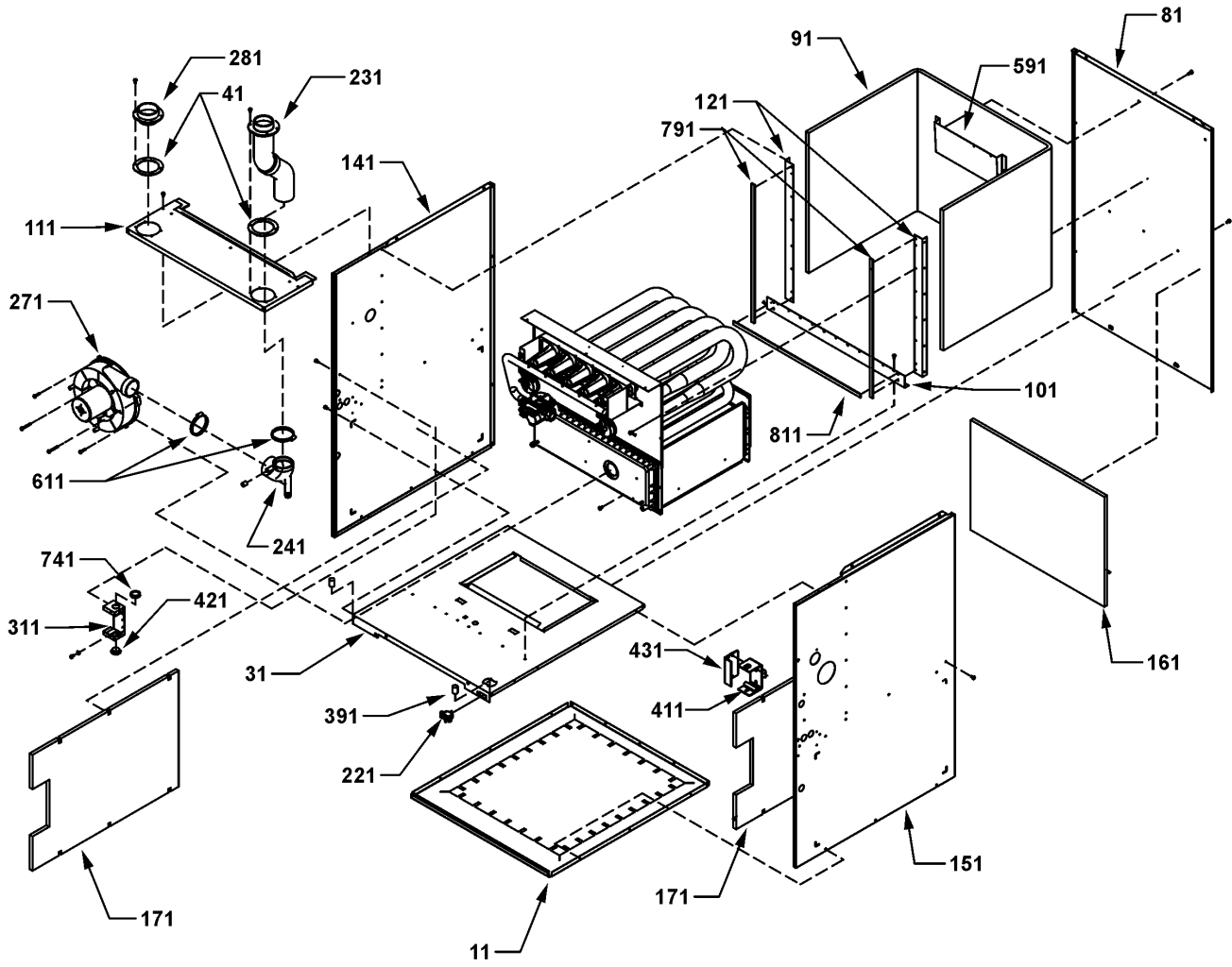
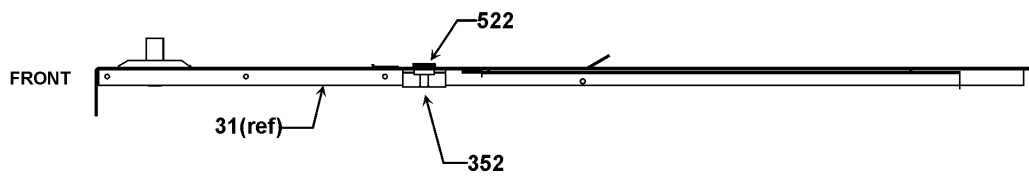


Image 2



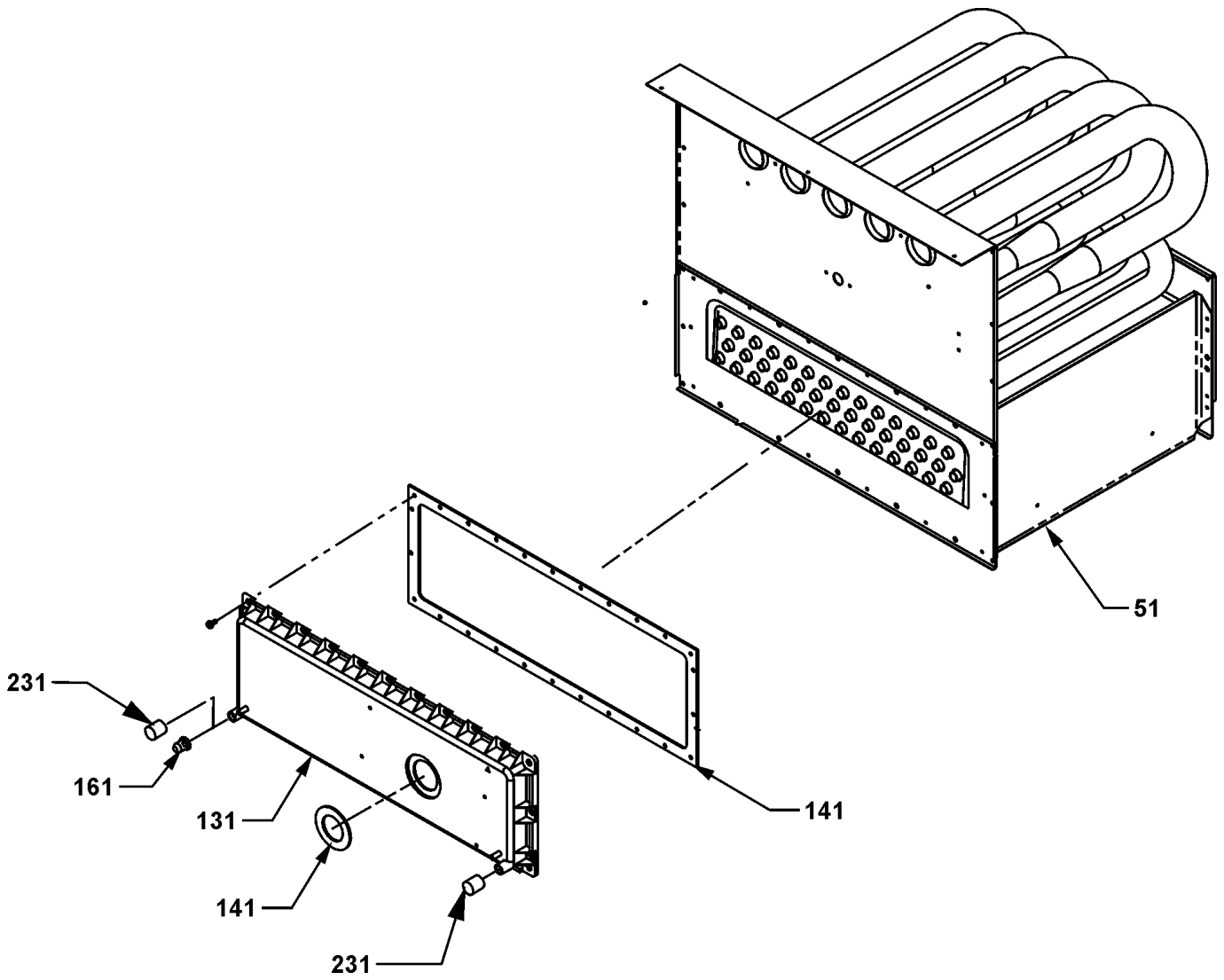
Chassis

Ref. Part No:	No:	Description:	Ref. Part No:	No:	Description:																						
<i>Image 1:</i>			<i>Image 1:</i>																								
11	0121F00050DGS	BASE PAN (M1, M2, M3, M4, M5, M6, M7)	281	20049701	FA COUPLING																						
11	0121F00051DGS	BASE PAN (M8, M9, M10, M11, M12, M13, M14, M15)	311	10736102	HIGH VOLTAGE BOX (M1, M4, M8, M11, M16, M19)																						
11	0121F00052DG	BASE PAN (M16, M17, M18, M19, M20, M21, M22)	391	M0275521	PLASTIC SEALER																						
31	0121F00043	BLOWER DECK (M1, M2, M3, M4, M5, M6, M7)	411	0161F00004S	JUNCTION BOX (M2, M3, M5, M6, M7, M9, M10, M12, M13, M14, M15, M17, M18, M20, M21, M22)																						
31	0121F00045	BLOWER DECK (M8, M9, M10, M11, M12, M13, M14)	421	A4554801	SNAP BUSHING (M1, M4, M8, M11, M16, M19)																						
31	0121F00048	BLOWER DECK (M16, M17, M18, M19, M20, M21, M22)	431	0161F00005S	JUNCTION BOX COVER (M2, M3, M5, M6, M7, M9, M10, M12, M13, M14, M15, M17, M18, M20, M21, M22)																						
31	0121F00246	BLOWER DECK (M15)	591	11165107	ID BLOWER SHIELD																						
41	0154F00000P	COIL GASKET (M1, M2, M3, M4, M5, M6, M7)	611	0163M00049	HOSE CLAMP (QTY 2)																						
41	0154F00001P	COIL GASKET (M8, M9, M10, M11, M12, M13, M14, M15)	741	B1392104	UNIVERSAL BUSHING UB 875 (M1, M4, M11, M16, M19)																						
41	0154F00002P	COIL GASKET (M16, M17, M18, M19, M20, M21, M22)	791	20194608	GASKET (QTY 2)																						
81	20273208	BACK PANEL (M1, M2, M3, M4, M5, M6, M7)	811	20194605	GASKET (M1, M2, M3, M4, M5, M6, M7)																						
81	20273210S	BACK PANEL (M8, M9, M10, M11, M12, M13, M14, M15)	811	20194606	GASKET (M8, M9, M10, M11, M12, M13, M14, M15)																						
81	20273212S	BACK PANEL (M16, M17, M18, M19, M20, M21, M22)	811	20194607	GASKET (M16, M17, M18, M19, M20, M21, M22)																						
91	C6415909	HEAT EXCHANGER INSULATION (M16, M17, M18, M19, M20, M21, M22)	<i>Image 2:</i>																								
91	C6415910	HEAT EXCHANGER INSULATION (M1, M2, M3, M4, M5, M6, M7)	352	10861101	AUXILIARY LIMIT BRACKET (M1, M2, M3, M4, M5, M6, M7, M8, M9, M10, M11, M12, M13, M14, M16, M17, M18, M19, M20, M21, M22)																						
91	C6415911	HEAT EXCHANGER INSULATION (M8, M9, M10, M11, M12, M13, M14, M15)	522	10123519	MANUAL RESET LIMIT (M19, M20, M21, M22)																						
101	0121F00018P	DECK RAIL (M1, M2, M3, M4, M5, M6, M7)	522	10123535	MANUAL RESET LIMIT-RED (M1, M2, M3, M4, M5, M6, M7, M8, M9, M10, M11, M12, M13, M14, M16, M17, M18)																						
101	0121F00019P	DECK RAIL (M8, M9, M10, M11, M12, M13, M14, M15)	Expanded Model Nomenclature																								
101	20191303	DECK RAIL (M16, M17, M18, M19, M20, M21, M22)	<table border="1"> <tr><td>M1 - GMH950453BXAA</td></tr> <tr><td>M2 - GMH950453BXAB</td></tr> <tr><td>M3 - GMH950453BXAC</td></tr> <tr><td>M4 - GMH950703BXAA</td></tr> <tr><td>M5 - GMH950703BXAB</td></tr> <tr><td>M6 - GMH950703BXAC</td></tr> <tr><td>M7 - GMH950703BXAD</td></tr> <tr><td>M8 - GMH950704CXAA</td></tr> <tr><td>M9 - GMH950704CXAB</td></tr> <tr><td>M10 - GMH950704CXAC</td></tr> <tr><td>M11 - GMH950904CXAA</td></tr> <tr><td>M12 - GMH950904CXAB</td></tr> <tr><td>M13 - GMH950904CXAC</td></tr> <tr><td>M14 - GMH950904CXAD</td></tr> <tr><td>M15 - GMH950905CXAA</td></tr> <tr><td>M16 - GMH950905DXAA</td></tr> <tr><td>M17 - GMH950905DXAB</td></tr> <tr><td>M18 - GMH950905DXAC</td></tr> <tr><td>M19 - GMH951155DXAA</td></tr> <tr><td>M20 - GMH951155DXAB</td></tr> <tr><td>M21 - GMH951155DXAC</td></tr> <tr><td>M22 - GMH951155DXAD</td></tr> </table>			M1 - GMH950453BXAA	M2 - GMH950453BXAB	M3 - GMH950453BXAC	M4 - GMH950703BXAA	M5 - GMH950703BXAB	M6 - GMH950703BXAC	M7 - GMH950703BXAD	M8 - GMH950704CXAA	M9 - GMH950704CXAB	M10 - GMH950704CXAC	M11 - GMH950904CXAA	M12 - GMH950904CXAB	M13 - GMH950904CXAC	M14 - GMH950904CXAD	M15 - GMH950905CXAA	M16 - GMH950905DXAA	M17 - GMH950905DXAB	M18 - GMH950905DXAC	M19 - GMH951155DXAA	M20 - GMH951155DXAB	M21 - GMH951155DXAC	M22 - GMH951155DXAD
M1 - GMH950453BXAA																											
M2 - GMH950453BXAB																											
M3 - GMH950453BXAC																											
M4 - GMH950703BXAA																											
M5 - GMH950703BXAB																											
M6 - GMH950703BXAC																											
M7 - GMH950703BXAD																											
M8 - GMH950704CXAA																											
M9 - GMH950704CXAB																											
M10 - GMH950704CXAC																											
M11 - GMH950904CXAA																											
M12 - GMH950904CXAB																											
M13 - GMH950904CXAC																											
M14 - GMH950904CXAD																											
M15 - GMH950905CXAA																											
M16 - GMH950905DXAA																											
M17 - GMH950905DXAB																											
M18 - GMH950905DXAC																											
M19 - GMH951155DXAA																											
M20 - GMH951155DXAB																											
M21 - GMH951155DXAC																											
M22 - GMH951155DXAD																											
111	0270F00001PS	TOP COVER ASSY (M8, M9, M10, M11, M12, M13, M14, M15)																									
111	0270F00002PS	TOP COVER ASSY (M16, M17, M18, M19, M20, M21, M22)																									
111	0270F00100PS	TOP COVER ASSY (M1, M2, M3, M4, M5, M6, M7)																									
121	20191602	SIDE RAIL (M1, M2, M3, M4, M5, M6, M7)																									
121	20191603	SIDE RAIL (M8, M9, M10, M11, M12, M13, M14, M15)																									
121	20191604	SIDE RAIL (M16, M17, M18, M19, M20, M21, M22)																									
141	0121F00092DGS	SIDE PANEL LH																									
151	0121F00090DGS	SIDE PANEL RH																									
161	20006601	INSULATION (M1, M2, M3, M4, M5, M6, M7)																									
161	20006602	INSULATION (M8, M9, M10, M11, M12, M13, M14, M15)																									
161	20006603	INSULATION (M16, M17, M18, M19, M20, M21, M22)																									
171	20243503	SIDE INSULATION (QTY 2)																									
221	B1370818	INTERLOCK SWITCH																									
231	22309501	FLUE PIPE																									
241	20171802S	ELBOW																									
271	22307501S	ID BLOWER																									

Manifold / Gas Valve

Ref. Part No:	No:	Description:	Ref. Part No:	No:	Description:																						
<i>Image 1:</i>			<i>Image 1:</i>																								
11	0130F00008S	SINI IGNITOR	NS	0164M00014	PRESSURE SWITCH HOSE (M16, M17, M18, M19, M20, M21, M22)																						
21	0151M00014	GAS VALVE - HONEYWELL 2-STAGE (M3, M7, M10, M14, M15, M18, M22)	NS	0164M00020	PRESSURE SWITCH HOSE (M9, M10)																						
21	0151F00000P	GAS VALVE - WHITE-RODGERS 2-STAGE (M1, M2, M4, M5, M6, M8, M9, M11, M12, M13, M16, M17, M19, M20, M21)	<i>Image 2:</i>																								
31	10716003	ORIFICE (QTY AR)	12	0259M00004	WIRE HARNESS, ADAPTOR (M3, M7, M10, M14, M18, M22)																						
41	0130F00010	FLAME SENSOR	Expanded Model Nomenclature																								
61	20196401	MANIFOLD - 2 BRNR (M1, M2, M3)	<table border="1"> <tr><td>M1 - GMH950453BXAA</td></tr> <tr><td>M2 - GMH950453BXAB</td></tr> <tr><td>M3 - GMH950453BXAC</td></tr> <tr><td>M4 - GMH950703BXAA</td></tr> <tr><td>M5 - GMH950703BXAB</td></tr> <tr><td>M6 - GMH950703BXAC</td></tr> <tr><td>M7 - GMH950703BXAD</td></tr> <tr><td>M8 - GMH950704CXAA</td></tr> <tr><td>M9 - GMH950704CXAB</td></tr> <tr><td>M10 - GMH950704CXAC</td></tr> <tr><td>M11 - GMH950904CXAA</td></tr> <tr><td>M12 - GMH950904CXAB</td></tr> <tr><td>M13 - GMH950904CXAC</td></tr> <tr><td>M14 - GMH950904CXAD</td></tr> <tr><td>M15 - GMH950905CXAA</td></tr> <tr><td>M16 - GMH950905DXAA</td></tr> <tr><td>M17 - GMH950905DXAB</td></tr> <tr><td>M18 - GMH950905DXAC</td></tr> <tr><td>M19 - GMH951155DXAA</td></tr> <tr><td>M20 - GMH951155DXAB</td></tr> <tr><td>M21 - GMH951155DXAC</td></tr> <tr><td>M22 - GMH951155DXAD</td></tr> </table>			M1 - GMH950453BXAA	M2 - GMH950453BXAB	M3 - GMH950453BXAC	M4 - GMH950703BXAA	M5 - GMH950703BXAB	M6 - GMH950703BXAC	M7 - GMH950703BXAD	M8 - GMH950704CXAA	M9 - GMH950704CXAB	M10 - GMH950704CXAC	M11 - GMH950904CXAA	M12 - GMH950904CXAB	M13 - GMH950904CXAC	M14 - GMH950904CXAD	M15 - GMH950905CXAA	M16 - GMH950905DXAA	M17 - GMH950905DXAB	M18 - GMH950905DXAC	M19 - GMH951155DXAA	M20 - GMH951155DXAB	M21 - GMH951155DXAC	M22 - GMH951155DXAD
M1 - GMH950453BXAA																											
M2 - GMH950453BXAB																											
M3 - GMH950453BXAC																											
M4 - GMH950703BXAA																											
M5 - GMH950703BXAB																											
M6 - GMH950703BXAC																											
M7 - GMH950703BXAD																											
M8 - GMH950704CXAA																											
M9 - GMH950704CXAB																											
M10 - GMH950704CXAC																											
M11 - GMH950904CXAA																											
M12 - GMH950904CXAB																											
M13 - GMH950904CXAC																											
M14 - GMH950904CXAD																											
M15 - GMH950905CXAA																											
M16 - GMH950905DXAA																											
M17 - GMH950905DXAB																											
M18 - GMH950905DXAC																											
M19 - GMH951155DXAA																											
M20 - GMH951155DXAB																											
M21 - GMH951155DXAC																											
M22 - GMH951155DXAD																											
61	20196402	MANIFOLD - 3 BRNR (M4, M5, M6, M7, M8, M9, M10)																									
61	20196403	MANIFOLD - 4 BRNR (M11, M12, M13, M14, M15, M16, M17, M18)																									
61	20196404	MANIFOLD - 5 BRNR (M19, M20, M21, M22)																									
71	10735102S	BECKETT BURNER (QTY AR)																									
91	20190410	BURNER BRACKET 2B (M1, M2, M3)																									
91	20190411	BURNER BRACKET 3B (M4, M5, M6, M7, M8, M9, M10)																									
91	20190412	BURNER BRACKET 4B (M11, M12, M13, M14, M15, M16, M17, M18)																									
91	20190413	BURNER BRACKET 5B (M19, M20, M21, M22)																									
151	10123517	MANUAL RESET LIMIT (M15)																									
151	10123533	MANUAL RESET LIMIT-YELLOW (M1, M2, M3, M4, M5, M6, M7, M8, M9, M10, M11, M12, M13, M14, M16, M17, M18, M19, M20, M21, M22)																									
291	0130F00001P	PRESSURE SWITCH-GRAY (M1, M2, M3, M8, M9, M10, M11, M12, M13, M14, M16, M17, M18, M19, M20, M21, M22)																									
291	0130F00002P	PRESSURE SWITCH-OLIVE (M4, M5, M6, M7)																									
291	0130F00110	SWITCH, PRESSURE (M15)																									
301	20197312	PRESSURE SWITCH-LIGHT BLUE (M1, M2, M3, M4, M5, M6, M7, M8, M9, M10, M16, M17, M18)																									
301	20197310	PRESSURE SWITCH-ORANGE (M11, M12, M13, M14, M19, M20, M21, M22)																									
301	20197308	PRESSURE SWITCH-YELLOW (M15)																									
321	11072201	ORIFICE SHIELD (M1, M2, M3)																									
321	11072202	ORIFICE SHIELD (M4, M5, M6, M7, M8, M9, M10)																									
321	11072203	ORIFICE SHIELD (M11, M12, M13, M14, M15, M16, M17, M18)																									
321	11072204	ORIFICE SHIELD (M19, M20, M21, M22)																									
371	0130F00105	LIMIT SWITCH (M15)																									
371	20162903	PRIMARY LIMIT - BLUE (M4, M5, M6, M7, M8, M9, M10, M16, M17, M18, M21, M22)																									
371	20162906	PRIMARY LIMIT - WHITE (M19, M20)																									
371	20162904	PRIMARY LIMIT-TEMPERATURE CONTROL (M1, M2, M3, M11, M12, M13, M14)																									
NS	0164M00009	PRESSURE SWITCH HOSE																									
NS	0164M00011	PRESSURE SWITCH HOSE (M2, M3)																									
NS	0164M00012	PRESSURE SWITCH HOSE (M1, M4, M5, M6, M7, M8)																									
NS	0164M00013	PRESSURE SWITCH HOSE (M11, M12, M13, M14, M15)																									

Heat Exchanger



Heat Exchanger

Ref. Part No:	Ref. Part No:	Description:	Description:
---------------	---------------	--------------	--------------

Image 1:

51	0257F00143S	HEAT EXCHANGER ASSY 2B (M1, M2, M3)
51	0257F00146S	HEAT EXCHANGER ASSY 3B (M8, M9, M10)
51	0257F00172S	HEAT EXCHANGER ASSY 3B (M4, M5, M6, M7)
51	0257F00140S	HEAT EXCHANGER ASSY 4B (M16, M17, M18)
51	0257F00173S	HEAT EXCHANGER ASSY 4B (M11, M12)
51	0257F00179	HEAT EXCHANGER ASSY 4B (M13, M14, M15)
51	0257F00174S	HEAT EXCHANGER ASSY 5B (M19, M20, M21, M22)
131	20170804AS	FRONT COVER (M1, M2, M3)
131	20170806AS	FRONT COVER (M4, M5, M6, M7)
131	20170901AS	FRONT COVER (M11, M12, M13, M14, M15)
131	20170905AS	FRONT COVER (M8, M9, M10)
131	20171003AS	FRONT COVER (M16, M17, M18)
131	20171004AS	FRONT COVER
131	20171004AS	FRONT COVER (M20, M21, M22)
141	0154F00000P	COIL GASKET (M1, M2, M3, M4, M5, M6, M7)
141	0154F00001P	COIL GASKET (M8, M9, M10, M11, M12, M13, M14, M15)
141	0154F00002P	COIL GASKET (M16, M17, M18, M19, M20, M21, M22)
161	M0326804	TUBE PLUG
231	A1781105	CAP-VINYL .500 (QTY 2)

Expanded Model Nomenclature

M1 - GMH950453BXAA
M2 - GMH950453BXAB
M3 - GMH950453BXAC
M4 - GMH950703BXAA
M5 - GMH950703BXAB
M6 - GMH950703BXAC
M7 - GMH950703BXAD
M8 - GMH950704CXAA
M9 - GMH950704CXAB
M10 - GMH950704CXAC
M11 - GMH950904CXAA
M12 - GMH950904CXAB
M13 - GMH950904CXAC
M14 - GMH950904CXAD
M15 - GMH950905CXAA
M16 - GMH950905DXAA
M17 - GMH950905DXAB
M18 - GMH950905DXAC
M19 - GMH951155DXAA
M20 - GMH951155DXAB
M21 - GMH951155DXAC
M22 - GMH951155DXAD