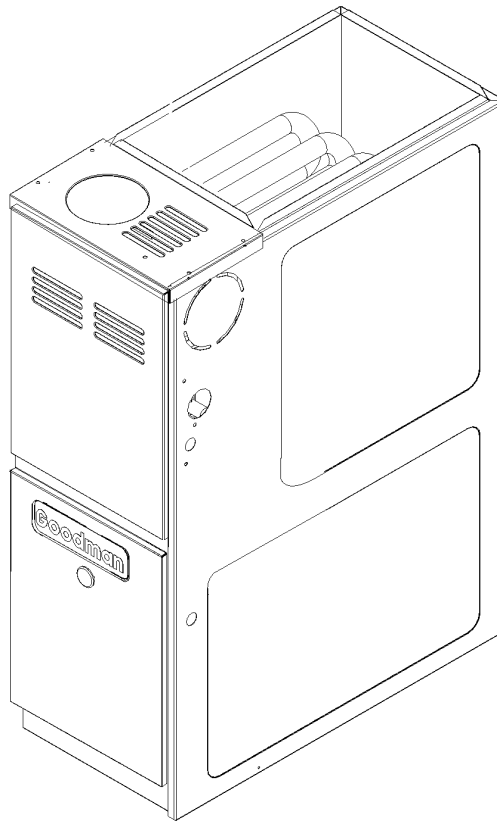




REPAIR PARTS

GMH80 Upflow Hybrid 80% Furnace

GMH80453ANAA
GMH80453AXAA
GMH80703ANAA
GMH80703AXAA
GMH80704BNAA
GMH80704BXAA
GMH80903BNAA
GMH80904BNAA
GMH80904BXAA
GMH80905CNAA
GMH80905CXAA
GMH81155CNAA
GMH81155CXAA
GMH81405DNAA
GMH81405DXAA



Goodman Manufacturing Company, L.P.
2550 North Loop West, Suite 400
Houston Texas 77092

www.goodmanmfg.com

RP-406B
January 2007

Important Information

Index

Functional Parts List	3
Illustration and Parts	4 - 11

Views shown are for parts illustrations only, not servicing procedures

Rev. B: Corrected manifold and orifice plate model references.

Text Codes:

AR - As Required

NA - Not Available

NS - Not Shown

00000000 - See Note

QTY - Quantity Example (QTY 3) (If Quantity not shown, Quantity = 1)

M - Model Example (M1) (If M Code not shown, then part is used on all Models)

Expanded Model Nomenclature:

Example

M1 - Model#1

M2 - Model#2

M3 - Model#3

Goodman Manufacturing Company, L.P. is not responsible for personal injury or property damage resulting from improper service. Review all service information before beginning repairs.

Warranty service must be performed by an authorized technician, using authorized factory parts. If service is required after the warranty expires, Goodman Manufacturing Company, L.P. also recommends contacting an authorized technician and using authorized factory parts.

Goodman Manufacturing Company, L.P. reserves the right to discontinue, or change at any time, specifications or designs without notice or without incurring obligations.

For assistance within the U.S.A. contact:

Consumer Affairs Department

Goodman Manufacturing Company, L.P.

7401 Security Way

Houston, Texas 77040

877-254-4729-Telephone

713-863-2382-Facsimile

For assistance outside the U.S.A. contact:

International Division

Goodman Manufacturing Company, L.P.

7401 Security Way

Houston, Texas 77040

713-861-2500-Telephone

713-863-2382-Facsimile

Functional Parts

Part

No: Description:

Part No:	Description:	Part No:	Description:
B1370142	AIR PRESSURE SWITCH .60"WC (M1, M2, M3, M4, M5, M6, M7, M8, M9)	4021312S	SUB-ASSY, HEAT EXCHANGER 6 CELL 24" (M14, M15)
B1370179	AIR PRESSURE SWITCH .75"WC (M14, M15)	B1370155	SWITCH, AUXILIARY LIMIT 120°F
B1370158	AIR PRESSURE SWITCH -0.7"WC (M10, M11, M12, M13)	B1370818	SWITCH, INTERLOCK
B4022700	ASSY, INSHOT BURNER 3" (QTY 2)	B1370198	SWITCH, PRIMARY LIMIT 150°F (M7, M12, M13, M14, M15)
CAP125000370RP	CAPACITOR 12.5/370V (M1, M2, M3, M4, M7)	B1370187	SWITCH, PRIMARY LIMIT 160°F (M3, M4)
CAP200000370RP	CAPACITOR 20/370V (M5, M6, M8, M9, M10, M11, M12, M13)	B1370188	SWITCH, PRIMARY LIMIT 170°F (M5, M6, M8, M9)
CAP250000370RP	CAPACITOR 25/370V (M14, M15)	B1370199	SWITCH, PRIMARY LIMIT 190°F (M11)
0130F00010	FLAME SENSOR	B1370189	SWITCH, PRIMARY LIMIT 200° F (M10)
B4026005	GAS MANIFOLD, 2 CELL (M1, M2)	B1370190	SWITCH, PRIMARY LIMIT 210°F (M1, M2)
B4026006	GAS MANIFOLD, 3 CELL (M3, M4, M5, M6)	B1141605	TRANSFORMER 120V TO 24V, 40VA
B4026007	GAS MANIFOLD, 4 CELL (M7, M8, M9, M10, M11)		
B4026008	GAS MANIFOLD, 5 CELL (M12, M13)		
B4026009	GAS MANIFOLD, 6 CELL (M14, M15)		
0151F00000P	GAS VALVE		
0259F00018	HARNESS, WIRE ASSY, 12 PIN HYBRID		
0259F00020	HARNESS, WIRE IGNITOR HYBRID		
0130F00006S	IGNITION, HSI INTEGRATED, 2 STAGE		
0130F00008	IGNITOR-SINI 17 SEC		
20046618S	MOTOR, BLOWER 3/4 HP (M14, M15)		
B1340024S	MOTOR, DIRECT DRIVE 1/2 HP, 4 SP, 6 PL (M5, M6, M8, M9, M10, M11, M12, M13)		
B1340025S	MOTOR, DIRECT DRIVE 1/3 HP, 4 SP, 6 PL (M1, M2, M3, M4, M7)		
0131M00002S	MOTOR, VENT 80+		
10716003	ORIFICE (QTY 2)		
4028000	ORIFICE PLATE 2 CELL (M1, M2)		
4028001	ORIFICE PLATE 3 CELL (M3, M4, M5, M6)		
4028002	ORIFICE PLATE 4 CELL (M7, M8, M9, M10, M11)		
4028003	ORIFICE PLATE 5 CELL (M12, M13)		
4028004	ORIFICE PLATE 6 CELL (M14, M15)		
B1370145	ROLLOUT SWITCH, 300 W/O BRKT. (QTY 2)		
4021300S	SUB-ASSY, HEAT EXCHANGER 2 CELL 14" (M1, M2)		
4021307S	SUB-ASSY, HEAT EXCHANGER 3 CELL 14" (M3, M4)		
4021308S	SUB-ASSY, HEAT EXCHANGER 3 CELL 17.5" (M5, M6)		
4021309S	SUB-ASSY, HEAT EXCHANGER 4 CELL 17.5" (M7, M8, M9)		
4021310S	SUB-ASSY, HEAT EXCHANGER 4 CELL 21" (M10, M11)		
4021311S	SUB-ASSY, HEAT EXCHANGER 5 CELL 21" (M12, M13)		

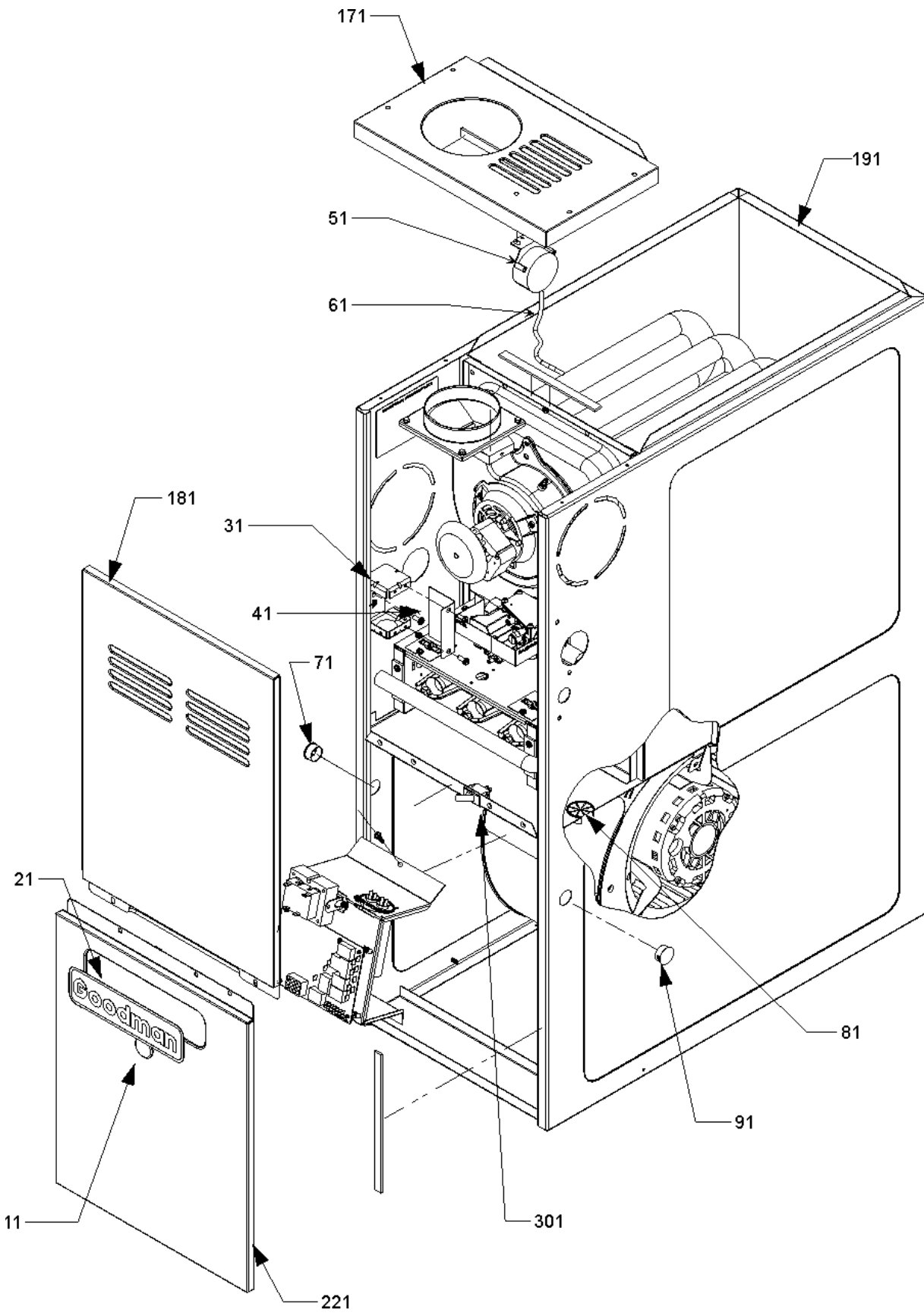
SPECIAL PARTS

HI-115A	HOMEOWNERS INSTRUCTIONS
IO-295B	INSTALLATION INSTRUCTIONS
IO-669	INSTALLATION INSTRUCTIONS-HUMIDIFIER
0161F00000P	NAMEPLATE, GOODMAN
RP-406B	REPAIR PARTS MANUAL

Expanded Model Nomenclature

M1 - GMH80453ANAA
M2 - GMH80453AXAA
M3 - GMH80703ANAA
M4 - GMH80703AXAA
M5 - GMH80704BNAA
M6 - GMH80704BXAA
M7 - GMH80903BNAA
M8 - GMH80904BNAA
M9 - GMH80904BXAA
M10 - GMH80905CNAA
M11 - GMH80905CXAA
M12 - GMH81155CNAA
M13 - GMH81155CXAA
M14 - GMH81405DNAA
M15 - GMH81405DXAA

Cabinet



Cabinet

**Ref. Part
No: No:**

Description:

**Ref. Part
No: No:**

Description:

Image 1:

11	B1392139	VIEW PORT BUSHING - BLOWER DOOR
21	0161F00000P	NAMEPLATE, GOODMAN
31	4014502	J-BOX
41	4015502	J-BOX COVER
51	B1370142	AIR PRESSURE SWITCH .60"WC (M1, M2, M3, M4, M5, M6, M7, M8, M9)
51	B1370179	AIR PRESSURE SWITCH .75"WC (M14, M15)
51	B1370158	AIR PRESSURE SWITCH -0.7"WC (M10, M11, M12, M13)
61	A3468601	PRESSURE SWITCH HOSE
71	B1392104	UNIVERSAL BUSHING UB 875
81	B1392147	UNIVERSAL BUSHING WITH SLICE
91	B1392019	PLASTIC PLUG, .875 DIA (BLK)
171	0221F00000P	TOP, FURNACE 14" (M1, M2, M3, M4)
171	0221F00000PDG	TOP, FURNACE 14" (M1, M2, M3, M4)
171	0221F00001P	TOP, FURNACE 17.5 (M5, M6, M7, M8, M9)
171	0221F00001PDG	TOP, FURNACE 17.5" (M5, M6, M7, M8, M9)
171	0221F00002P	TOP, FURNACE 21" (M10, M11, M12, M13)
171	0221F00002PDG	TOP, FURNACE 21" (M10, M11, M12, M13)
171	0221F00003PDG	TOP, FURNACE 24.5" (M14, M15)
181	0221F00004PDG	ACCESS, CONTROL DOOR 14" (M1, M2, M3, M4)
181	0221F00005PDG	ACCESS, CONTROL DOOR 17.5" (M5, M6, M7, M8, M9)
181	0221F00006PDG	ACCESS, CONTROL DOOR 21" (M10, M11, M12, M13)
181	0221F00007PDG	ACCESS, CONTROL DOOR 24.5" (M14, M15)
191	0270F00010P	INSULATED ASSY, WRAPPER 14" (M1, M2, M3, M4)
191	0270F00011P	INSULATED ASSY, WRAPPER 17.5" (M5, M6, M7, M8, M9)
191	0270F00012P	INSULATED ASSY, WRAPPER 21" (M10, M11, M12, M13)
191	0270F00013P	INSULATED ASSY, WRAPPER 24.5" (M14, M15)
221	0221F00011PDG	ACCESS, BLOWER DOOR 14" (M1, M2, M3, M4)
221	0221F00012PDG	ACCESS, BLOWER DOOR 17.5" (M5, M6, M7, M8, M9)
221	0221F00013PDG	ACCESS, BLOWER DOOR 21" (M10, M11, M12, M13)
221	0221F00014PDG	ACCESS, BLOWER DOOR 24.5" (M14, M15)
301	B1370818	SWITCH, INTERLOCK

Expanded Model Nomenclature

M1 - GMH80453ANAA
M2 - GMH80453AXAA
M3 - GMH80703ANAA
M4 - GMH80703AXAA
M5 - GMH80704BNAA
M6 - GMH80704BXAA
M7 - GMH80903BNAA
M8 - GMH80904BNAA
M9 - GMH80904BXAA
M10 - GMH80905CNAA
M11 - GMH80905CXAA
M12 - GMH81155CNAA
M13 - GMH81155CXAA
M14 - GMH81405DNAA
M15 - GMH81405DXAA

Blower Assy/Control Panel

Image 1

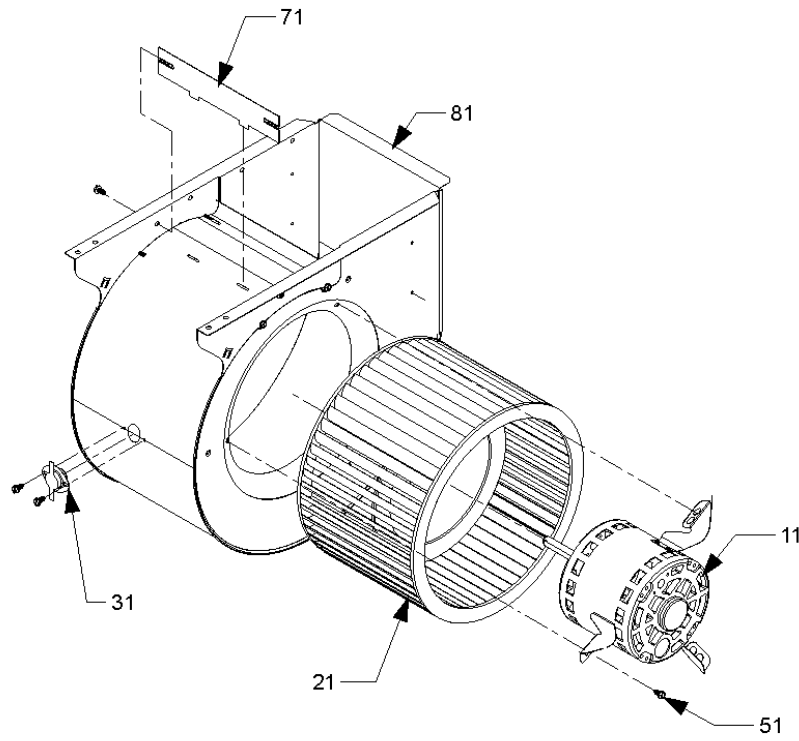
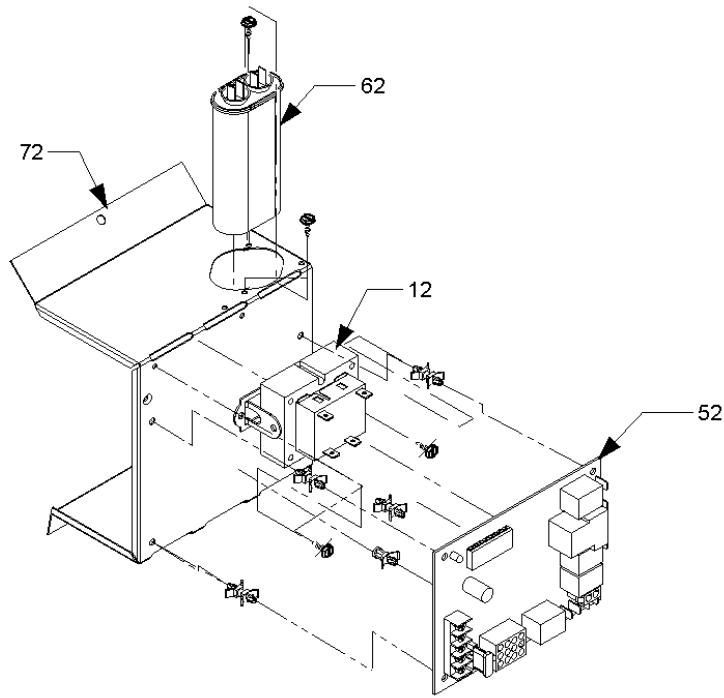


Image 2



Blower Assy/Control Panel

Ref. Part No:	Part No:	Description:	Ref. Part No:	Part No:	Description:
---------------	----------	--------------	---------------	----------	--------------

Image 1:

11	20046618S	MOTOR, BLOWER 3/4 HP (M14, M15)
11	B1340024S	MOTOR, DIRECT DRIVE 1/2 HP, 4 SP, 6 PL (M5, M6, M8, M9, M10, M11, M12, M13)
11	B1340025S	MOTOR, DIRECT DRIVE 1/3 HP, 4 SP, 6 PL (M1, M2, M3, M4, M7)
21	B1368047A	BLOWER WHEEL (10 X 10) (M10, M11, M12, M13, M14, M15)
21	B1368034S	BLOWER WHEEL (10 X 6) (M1, M2, M3, M4)
21	B1368016S	BLOWER WHEEL (10 X 8) (M5, M6, M8, M9)
21	B1368058S	BLOWER WHEEL (10 X 8) (M7)
31	B1370155	SWITCH, AUXILIARY LIMIT 120°F
51	B1393331	MACHINE SCREW, 1/4-20 TYPE F SLOTTED (QTY 3)
71	764741	BLOWER BLOCK-OFF, 10X10 (M10, M11, M12, M13, M14, M15)
71	764739	BLOWER BLOCK-OFF, 10X6 (M1, M2, M3, M4)
71	764740	BLOWER BLOCK-OFF, 10X8 (M5, M6, M7, M8, M9)
81	2539307S	ASSY, BLOWER SHELL 10X10 (M10, M11, M12, M13, M14, M15)
81	2539305S	ASSY, BLOWER SHELL 10X6 (M1, M2, M3, M4)
81	2539306S	ASSY, BLOWER SHELL 10X8 (M5, M6, M7, M8, M9)

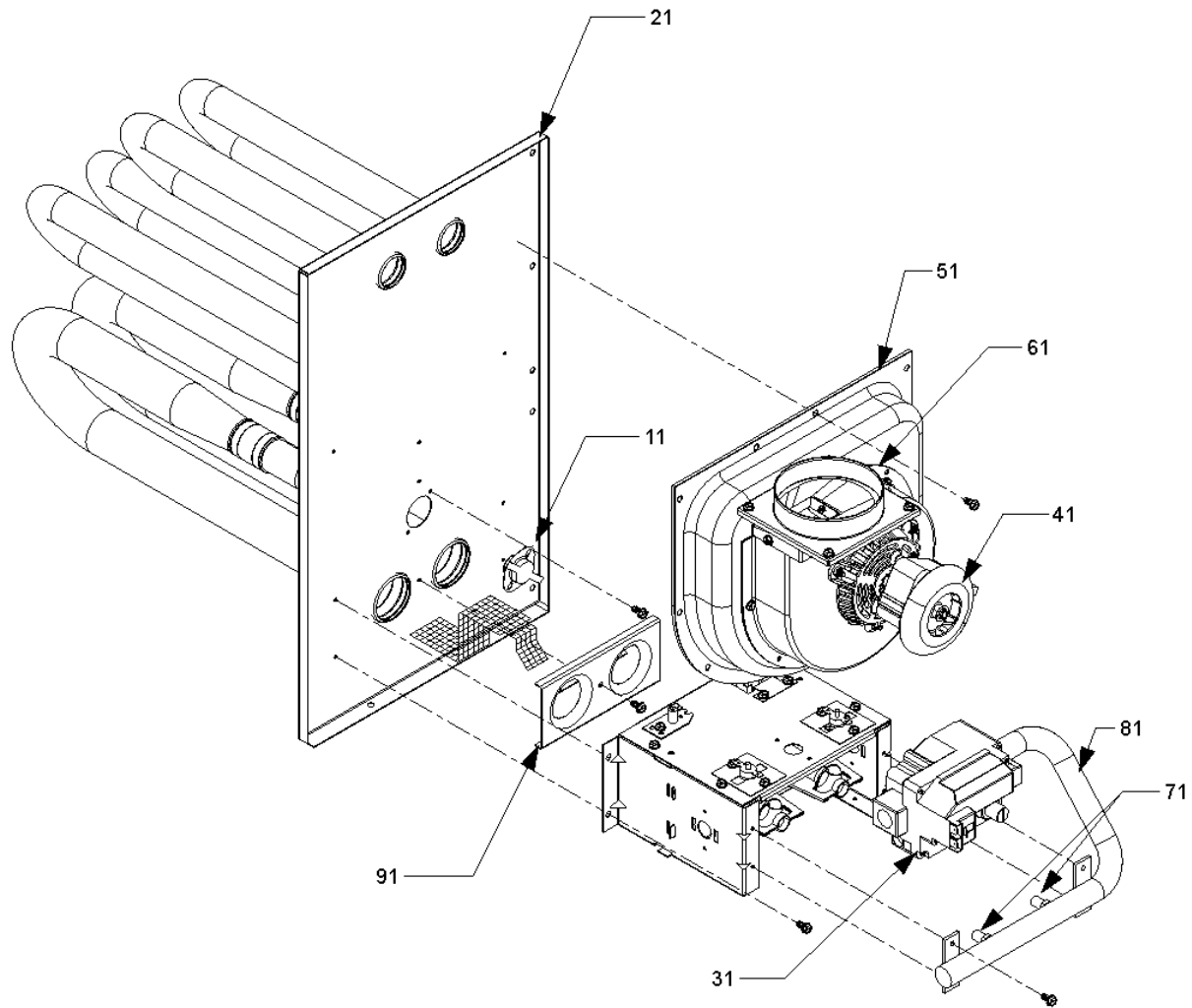
Image 2:

12	B1141605	TRANSFORMER 120V TO 24V, 40VA
52	0130F00006S	IGNITION, HSI INTEGRATED, 2 STAGE
62	CAP125000370RP	CAPACITOR 12.5/370V (M1, M2, M3, M4, M7)
62	CAP200000370RP	CAPACITOR 20/370V (M5, M6, M8, M9, M10, M11, M12, M13)
62	CAP250000370RP	CAPACITOR 25/370V (M14, M15)
72	1815817	CONTROL MOUNTING PANEL

Expanded Model Nomenclature

- M1 - GMH80453ANAA
- M2 - GMH80453AXAA
- M3 - GMH80703ANAA
- M4 - GMH80703AXAA
- M5 - GMH80704BNAA
- M6 - GMH80704BXAA
- M7 - GMH80903BNAA
- M8 - GMH80904BNAA
- M9 - GMH80904BXAA
- M10 - GMH80905CNAA
- M11 - GMH80905CXAA
- M12 - GMH81155CNAA
- M13 - GMH81155CXAA
- M14 - GMH81405DNAA
- M15 - GMH81405DXAA

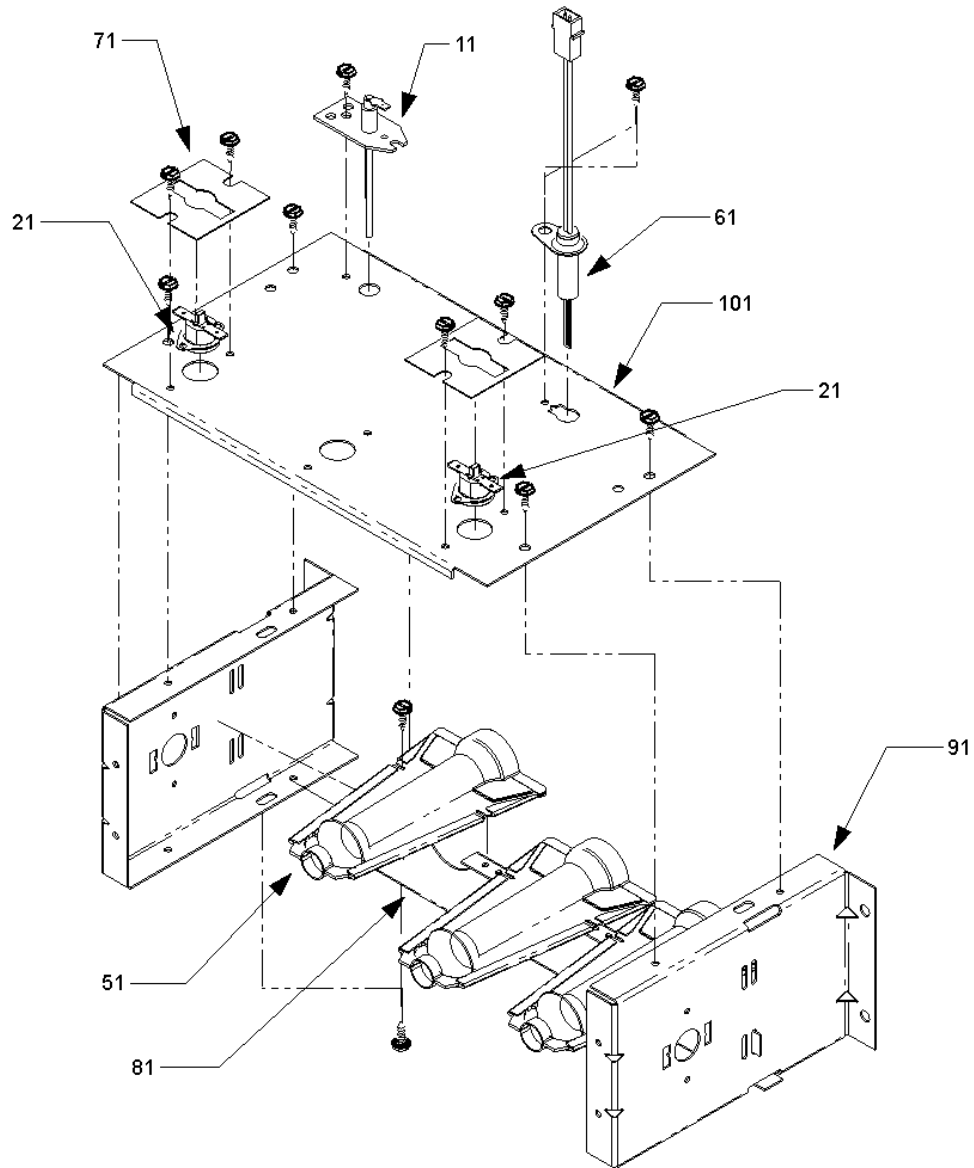
Heat Exchanger Assy/Flue Collector Box



Heat Exchanger Assy/Flue Collector Box

Ref. Part No:	No:	Description:	Ref. Part No:	No:	Description:
<i>Image 1:</i>			Expanded Model Nomenclature		
11	B1370198	SWITCH, PRIMARY LIMIT 150°F (M7, M12, M13, M14, M15)	M1	-	GMH80453ANAA
11	B1370187	SWITCH, PRIMARY LIMIT 160°F (M3, M4)	M2	-	GMH80453AXAA
11	B1370188	SWITCH, PRIMARY LIMIT 170°F (M5, M6, M8, M9)	M3	-	GMH80703ANAA
11	B1370199	SWITCH, PRIMARY LIMIT 190°F (M11)	M4	-	GMH80703AXAA
11	B1370189	SWITCH, PRIMARY LIMIT 200° F (M10)	M5	-	GMH80704BNAA
11	B1370190	SWITCH, PRIMARY LIMIT 210°F (M1, M2)	M6	-	GMH80704BXAA
21	4021300S	SUB-ASSY, HEAT EXCHANGER 2 CELL 14" (M1, M2)	M7	-	GMH80903BNAA
21	4021307S	SUB-ASSY, HEAT EXCHANGER 3 CELL 14" (M3, M4)	M8	-	GMH80904BNAA
21	4021308S	SUB-ASSY, HEAT EXCHANGER 3 CELL 17.5" (M5, M6)	M9	-	GMH80904BXAA
21	4021309S	SUB-ASSY, HEAT EXCHANGER 4 CELL 17.5" (M7, M8, M9)	M10	-	GMH80905CNAA
21	4021310S	SUB-ASSY, HEAT EXCHANGER 4 CELL 21" (M10, M11)	M11	-	GMH80905CXAA
21	4021311S	SUB-ASSY, HEAT EXCHANGER 5 CELL 21" (M12, M13)	M12	-	GMH81155CNAA
21	4021312S	SUB-ASSY, HEAT EXCHANGER 6 CELL 24" (M14, M15)	M13	-	GMH81155CXAA
31	0151F00000P	GAS VALVE	M14	-	GMH81405DNAA
41	0131M00002S	MOTOR, VENT 80+	M15	-	GMH81405DXAA
51	4010012S	FLUE COLLECTOR BOX 14" (M1, M2)			
51	4010013S	FLUE COLLECTOR BOX 14" (M3, M4)			
51	4010014S	FLUE COLLECTOR BOX 17.5" (M5, M6)			
51	4010015S	FLUE COLLECTOR BOX 17.5" (M7, M8, M9)			
51	4010016S	FLUE COLLECTOR BOX 21" (M10, M11)			
51	4010017S	FLUE COLLECTOR BOX 21" (M12, M13)			
51	4010018S	FLUE COLLECTOR BOX 24.5" (M14, M15)			
61	4053501S	CHIMNEY ASSEMBLY			
71	10716003	ORIFICE (QTY 2)			
81	B4026005	GAS MANIFOLD, 2 CELL (M1, M2)			
81	B4026006	GAS MANIFOLD, 3 CELL (M3, M4, M5, M6)			
81	B4026007	GAS MANIFOLD, 4 CELL (M7, M8, M9, M10, M11)			
81	B4026008	GAS MANIFOLD, 5 CELL (M12, M13)			
81	B4026009	GAS MANIFOLD, 6 CELL (M14, M15)			
91	4028000	ORIFICE PLATE 2 CELL (M1, M2)			
91	4028001	ORIFICE PLATE 3 CELL (M3, M4, M5, M6)			
91	4028002	ORIFICE PLATE 4 CELL (M7, M8, M9, M10, M11)			
91	4028003	ORIFICE PLATE 5 CELL (M12, M13)			
91	4028004	ORIFICE PLATE 6 CELL (M14, M15)			
NS	B1392633	GASKET, VENT MOTOR 14" (M1, M2, M3, M4)			
NS	B1392634	GASKET, VENT MOTOR 17.5" (M5, M6, M7, M8, M9)			
NS	B1392635	GASKET, VENT MOTOR 21" (M10, M11, M12, M13)			
NS	B1392636	GASKET, VENT MOTOR 24.5" (M14, M15)			

Burner Box



Burner Box

Ref. Part No:	No:	Description:	Ref. Part No:	No:	Description:
<i>Image 1:</i>					
11	0130F00010	FLAME SENSOR			
21	B1370145	ROLLOUT SWITCH, 300 W/O BRKT. (QTY 2)			
51	B4022700	ASSY, INSHOT BURNER 3" (QTY 2)			
61	0130F00008	IGNITOR-SINI 17 SEC			
71	2509503	BRACKET, ROLLOUT SWITCH (QTY 2)			
81	2513500	BURNER RACK, 2 CELL (M1, M2)			
81	2513501	BURNER RACK, 3 CELL (M3, M4, M5, M6)			
81	2513502	BURNER RACK, 4 CELL (M7, M8, M9, M10, M11)			
81	2513503	BURNER RACK, 5 CELL (M12, M13)			
81	2513504	BURNER RACK, 6 CELL (M14, M15)			
91	2514000	SIDE PLATE, BURNER BOX (QTY 2)			
101	4013010	TOP, BURNER BOX 2 CELL (M1, M2)			
101	4013011	TOP, BURNER BOX 3 CELL (M3, M4, M5, M6)			
101	4013012	TOP, BURNER BOX 4 CELL (M7, M8, M9, M10, M11)			
101	4013013	TOP, BURNER BOX 5 CELL (M12, M13)			
101	4013014	TOP, BURNER BOX 6 CELL (M14, M15)			

Expanded Model Nomenclature

M1 - GMH80453ANAA
M2 - GMH80453AXAA
M3 - GMH80703ANAA
M4 - GMH80703AXAA
M5 - GMH80704BNAA
M6 - GMH80704BXAA
M7 - GMH80903BNAA
M8 - GMH80904BNAA
M9 - GMH80904BXAA
M10 - GMH80905CNAA
M11 - GMH80905CXAA
M12 - GMH81155CNAA
M13 - GMH81155CXAA
M14 - GMH81405DNAA
M15 - GMH81405DXAA