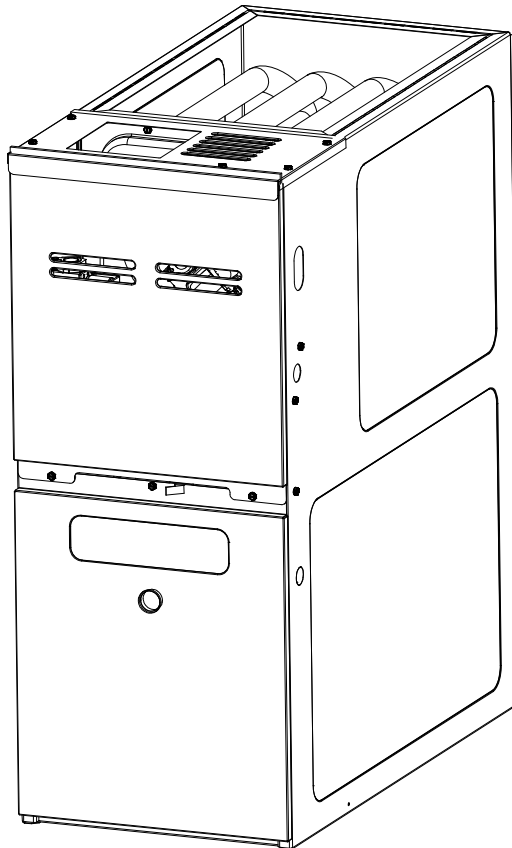


**GMH8 80% Upflow Hybrid Furnace**

GMH80453ANCA  
GMH80453ANCB  
GMH80453AXCA  
GMH80453AXCB  
GMH80703ANCA  
GMH80703ANCB  
GMH80703AXCA  
GMH80703AXCB  
GMH80704BNCA  
GMH80704BNCB  
GMH80704BXCA  
GMH80704BXC  
GMH80903BNCA  
GMH80903BNCB  
GMH80904BNCA  
GMH80904BNCB  
GMH80904BXCA  
GMH80904BXC  
GMH80905CNCA  
GMH80905CNCB  
GMH80905CXCA  
GMH80905CXC  
GMH81155CNCA  
GMH81155CNCB  
GMH81155CXCA  
GMH81155CXC  
GMH81405DNCA  
GMH81405DNCB  
GMH81405DXCA  
GMH81405DXCB



This manual is to be used by qualified technicians only.

This manual replaces RP-542

© 2009-2010 Goodman Manufacturing Company, L.P. ♦ 5151 San Felipe, Suite 500 ♦ Houston, TX 77056

# Important Information

---

## Index

Functional Parts List .....	3
Illustration and Parts .....	4 - 11

*Views shown are for parts illustrations only, not servicing procedures*

Revision A: Added "CB" models with 90° vent motor rotation feature.

### Text Codes:

AR - As Required

NA - Not Available

NS - Not Shown

00000000 - See Note

QTY - Quantity Example (QTY 3) (If Quantity not shown, Quantity = 1)

M - Model Example (M1) (If M Code not shown, then part is used on all Models)

### Expanded Model Nomenclature:

Example M1 - Model#1 M2 - Model#2 M3 - Model#3
---

Goodman Manufacturing Company, L.P. is not responsible for personal injury or property damage resulting from improper service. Review all service information before beginning repairs.

Warranty service must be performed by an authorized technician, using authorized factory parts. If service is required after the warranty expires, Goodman Manufacturing Company, L.P. also recommends contacting an authorized technician and using authorized factory parts.

Goodman Manufacturing Company, L.P. reserves the right to discontinue, or change at any time, specifications or designs without notice or without incurring obligations.

For assistance within the U.S.A. contact:  
Consumer Affairs Department  
Goodman Manufacturing Company, L.P.  
7401 Security Way  
Houston, Texas 77040  
877-254-4729-Telephone  
713-863-2382-Facsimile

For assistance outside the U.S.A. contact:  
International Division  
Goodman Manufacturing Company, L.P.  
7401 Security Way  
Houston, Texas 77040  
713-861-2500-Telephone  
713-863-2382-Facsimile

# Functional Parts

## Part

## No: Description:

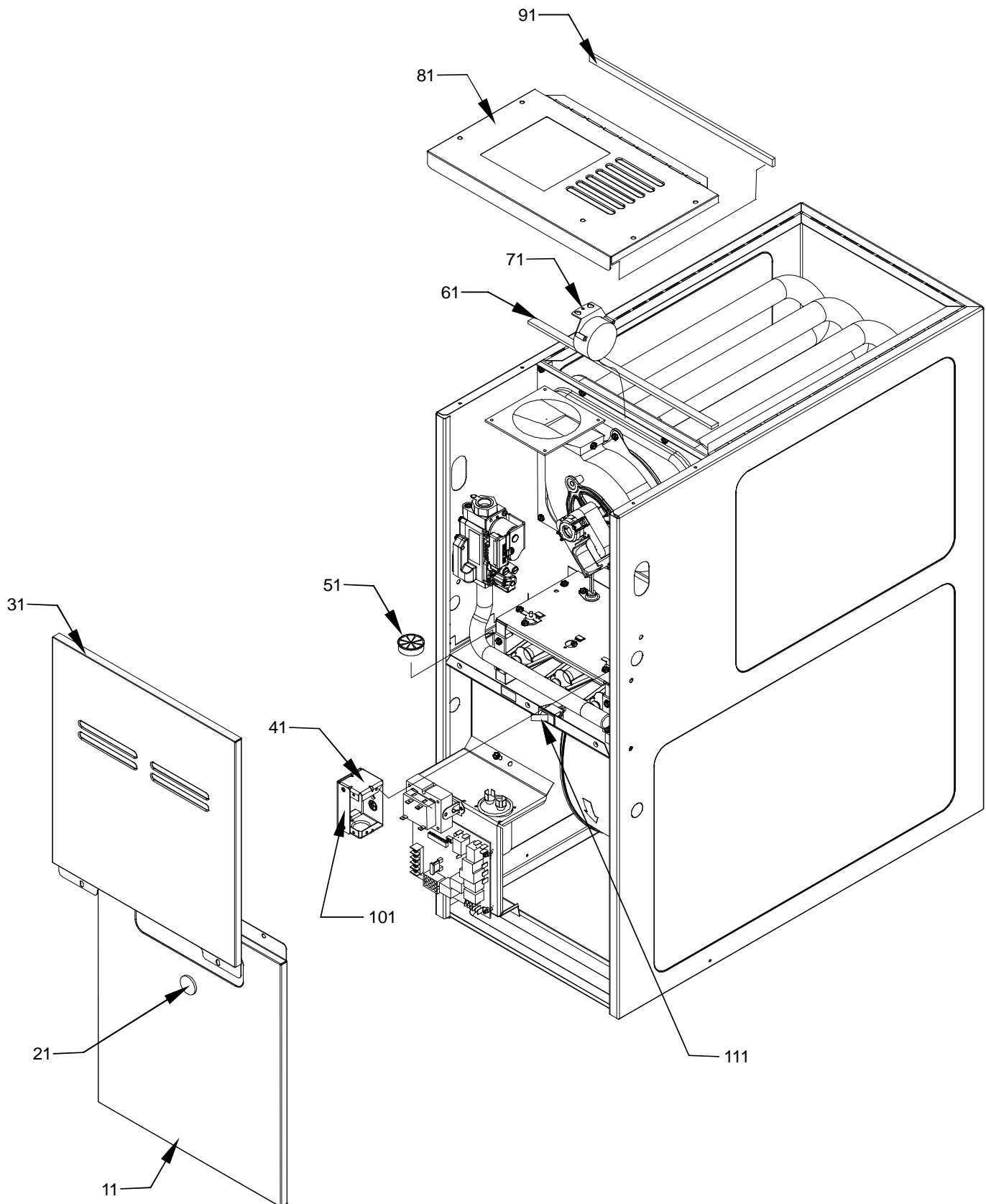
## Expanded Model Nomenclature

0131F00022	BLOWER MOTOR 1/2 HP, 4 SP, 6 PL (M9, M10, M11, M12, M15, M16, M17, M18, M19, M20, M21, M22, M23, M24, M25, M26)	M1 - GMH80453ANCA
0131F00020	BLOWER MOTOR 1/3 HP, 4 SP, 6 PL (M13, M14)	M2 - GMH80453ANCB
0131F00021	BLOWER MOTOR 1/3HP, 4SP, 6PL (M1, M2, M3, M4, M5, M6, M7, M8)	M3 - GMH80453AXCA
20046618	BLOWER MOTOR 3/4 HP (M27, M28, M29, M30)	M4 - GMH80453AXCB
D6723311	BLOWER WHEEL (M27, M28, M29, M30)	M5 - GMH80703ANCA
B1368047	BLOWER WHEEL 10 X 10 (M19, M20, M21, M22, M23, M24, M25, M26)	M6 - GMH80703ANCB
B1368034	BLOWER WHEEL 10 X 6 (M1, M2, M3, M4, M5, M6, M7, M8)	M7 - GMH80703AXCA
B1368016	BLOWER WHEEL 10 X 8 (M9, M10, M11, M12, M15, M16, M17, M18)	M8 - GMH80703AXCB
B1368058	BLOWER WHEEL 10 X 8 (M13, M14)	M9 - GMH80704BNCA
CAP125000370RP	CAPACITOR 12.5/370V (M1, M2, M3, M4, M5, M6, M7, M8, M13, M14)	M10 - GMH80704BNCB
CAP200000440RP	CAPACITOR 20/370V (M9, M10, M11, M12, M15, M16, M17, M18, M19, M20, M21, M22, M23, M24, M25, M26)	M11 - GMH80704BXCA
CAP250000370RP	CAPACITOR 25/370V (M27, M28, M29, M30)	M12 - GMH80704BXCB
0130F00010	FLAME SENSOR	M13 - GMH80903BNCA
0151F00000P	GAS VALVE - WHITE-RODGERS 2-STAGE	M14 - GMH80903BNCB
PCBBF122	IGNITION BOARD, HSI INTEGRATED 2-STG	M15 - GMH80904BNCA
B4022700	INSHOT BURNER ASSY 3" (QTY AR)	M16 - GMH80904BNCB
B1370818	INTERLOCK SWITCH	M17 - GMH80904BXCA
10123529	MANUAL RESET LIMIT (QTY 2)	M18 - GMH80904BXCB
10716003	ORIFICE (QTY AR)	M19 - GMH80905CNCA
0130F00041	PRESSURE SWITCH (M23, M24, M25, M26)	M20 - GMH80905CNCB
0130F00042	PRESSURE SWITCH (M27, M28, M29, M30)	M21 - GMH80905CXCA
B1370179	PRESSURE SWITCH (M9, M10, M11, M12, M13, M14, M15, M16, M17, M18, M19, M20, M21, M22)	M22 - GMH80905CXCB
B1370158	PRESSURE SWITCH -0.70" WC (M1, M2, M3, M4, M5, M6, M7, M8)	M23 - GMH81155CNCA
20162903	PRIMARY LIMIT - BLUE (M15, M16, M17, M18, M27, M28, M29, M30)	M24 - GMH81155CNCB
0130F00038	PRIMARY LIMIT - LT BLUE 120°	M25 - GMH81155CXCA
0130F00036	PRIMARY LIMIT - PINK (M23, M24, M25, M26)	M26 - GMH81155CXCB
0130F00035	PRIMARY LIMIT - PURPLE 220° (M1, M2, M3, M4)	M27 - GMH81405DNCA
20162906	PRIMARY LIMIT - WHITE (M5, M6, M7, M8, M9, M10, M11, M12, M13, M14, M19, M20, M21, M22)	M28 - GMH81405DNCB
0130F00008S	SINI IGNITOR	M29 - GMH81405DXCA
B1141605	TRANSFORMER 120V TO 24V, 40 VA	M30 - GMH81405DXCB
0131M00002	VENT MOTOR	

## SPECIAL PARTS

0259F00053	12-PIN WIRE HARNESS ASSY
0161F00007	GOODMAN NAMEPLATE
HI-115B	HOMEOWNERS INSTRUCTIONS
0259F00051	IGNITOR WIRE HARNESS ASSY
IO-669	INSTALL-HUMIDIFIER
IO-359D	INSTR, INSTL & OPER
0259F00050	KIT, WIRE HYBRID FURN

# Cabinet



# Cabinet

**Ref. Part  
No: No:**

**Description:**

**Ref. Part  
No: No:**

**Description:**

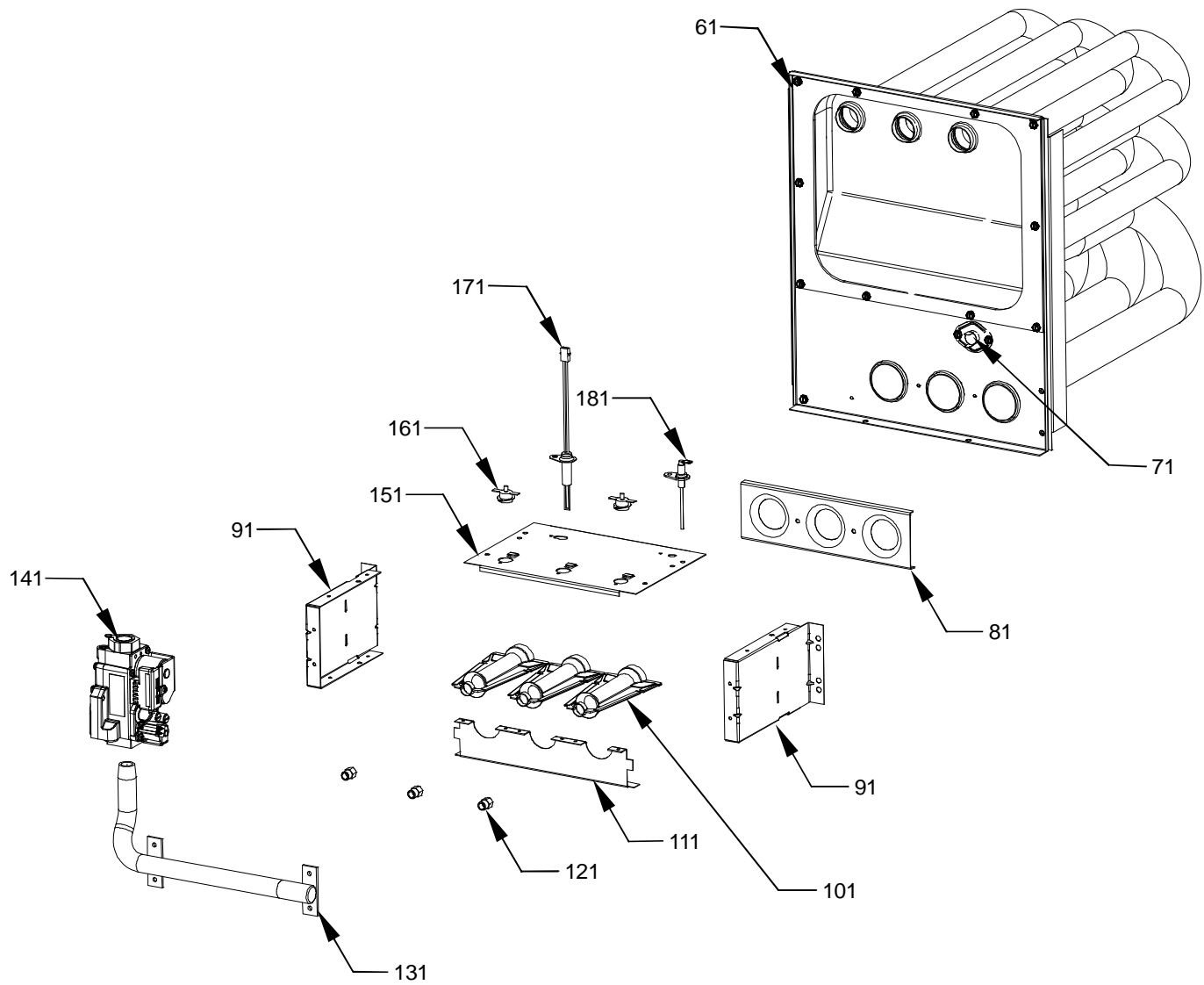
*Image 1:*

11	0121F00122DG	BLOWER ACCESS DOOR 14" (M1, M2, M3, M4, M5, M6, M7, M8)
11	0121F00123DG	BLOWER ACCESS DOOR 17.5" (M9, M10, M11, M12, M13, M14, M15, M16, M17, M18)
11	0121F00124DG	BLOWER ACCESS DOOR 21" (M19, M20, M21, M22, M23, M24, M25, M26)
11	0121F00125DG	BLOWER ACCESS DOOR 24.5" (M27, M28, M29, M30)
21	B1392139	VIEW PORT BUSHING-BLOWER DOOR
31	0121F00118DG	CONTROL ACCESS DOOR 14" (M1, M2, M3, M4, M5, M6, M7, M8)
31	0121F00119DG	CONTROL ACCESS DOOR 17.5" (M9, M10, M11, M12, M13, M14, M15, M16, M17, M18)
31	0121F00120DG	CONTROL ACCESS DOOR 21" (M19, M20, M21, M22, M23, M24, M25, M26)
31	0121F00121DG	CONTROL ACCESS DOOR 24.5" (M27, M28, M29, M30)
41	4014502	J-BOX
51	B1392147	UNIVERSAL BUSHING WITH SLICE
61	B13926111	SEAL STRIP, 1/8 X 1/2 X 14 (M1, M2, M3, M4, M5, M6, M7, M8)
61	B13926112	SEAL STRIP, 1/8 X 1/2 X 17.5 (M9, M10, M11, M12, M13, M14, M15, M16, M17, M18)
61	B13926113	SEAL STRIP, 1/8 X 1/2 X 21 (M19, M20, M21, M22, M23, M24, M25, M26)
61	B13926114	SEAL STRIP, 1/8 X 1/2 X 24.5 (M27, M28, M29, M30)
71	0130F00041	PRESSURE SWITCH (M23, M24, M25, M26)
71	0130F00042	PRESSURE SWITCH (M27, M28, M29, M30)
71	B1370179	PRESSURE SWITCH (M9, M10, M11, M12, M13, M14, M15, M16, M17, M18, M19, M20, M21, M22)
71	B1370158	PRESSURE SWITCH -0.70" WC (M1, M2, M3, M4, M5, M6, M7, M8)
81	0121F00141DG	TOP 14" (M1, M2, M3, M4, M5, M6, M7, M8)
81	0121F00142DG	TOP 17.5" (M9, M10, M11, M12, M13, M14, M15, M16, M17, M18)
81	0121F00143DG	TOP 21" (M19, M20, M21, M22, M23, M24, M25, M26)
81	0121F00144DG	TOP 24.5" (M27, M28, M29, M30)
91	B13926111	SEAL STRIP, 1/8 X 1/2 X 14
101	4015502	J-BOX COVER
111	B1370818	INTERLOCK SWITCH
NS	0259F00053	12-PIN WIRE HARNESS ASSY
NS	0161F00007	GOODMAN NAMEPLATE
NS	0259F00051	IGNITOR WIRE HARNESS ASSY
NS	0259F00050	KIT, WIRE HYBRID FURN
NS	A3468601	PRESSURE SWITCH HOSE
NS	0270K00015	SOLID BOTTOM 14" CASE (M1, M2, M3, M4, M5, M6, M7, M8)
NS	0270K00016	SOLID BOTTOM 17.5" CASE (M9, M10, M11, M12, M13, M14, M15, M16, M17, M18)
NS	0270K00017	SOLID BOTTOM 21" CASE (M19, M20, M21, M22, M23, M24, M25, M26)
NS	0270K00018	SOLID BOTTOM 24.5" CASE (M27, M28, M29, M30)

Expanded Model Nomenclature

M1 - GMH80453ANCA
M2 - GMH80453ANCB
M3 - GMH80453AXCA
M4 - GMH80453AXCB
M5 - GMH80703ANCA
M6 - GMH80703ANCB
M7 - GMH80703AXCA
M8 - GMH80703AXCB
M9 - GMH80704BNCA
M10 - GMH80704BNCB
M11 - GMH80704BXCA
M12 - GMH80704XCB
M13 - GMH80903BNCA
M14 - GMH80903BNCB
M15 - GMH80904BNCA
M16 - GMH80904BNCB
M17 - GMH80904BXCA
M18 - GMH80904XCB
M19 - GMH80905CNCA
M20 - GMH80905CNCB
M21 - GMH80905CXCA
M22 - GMH80905XCXB
M23 - GMH81155CNCA
M24 - GMH81155CNCB
M25 - GMH81155CXCA
M26 - GMH81155XCXB
M27 - GMH81405DNCA
M28 - GMH81405DNCB
M29 - GMH81405DXCA
M30 - GMH81405DXCB

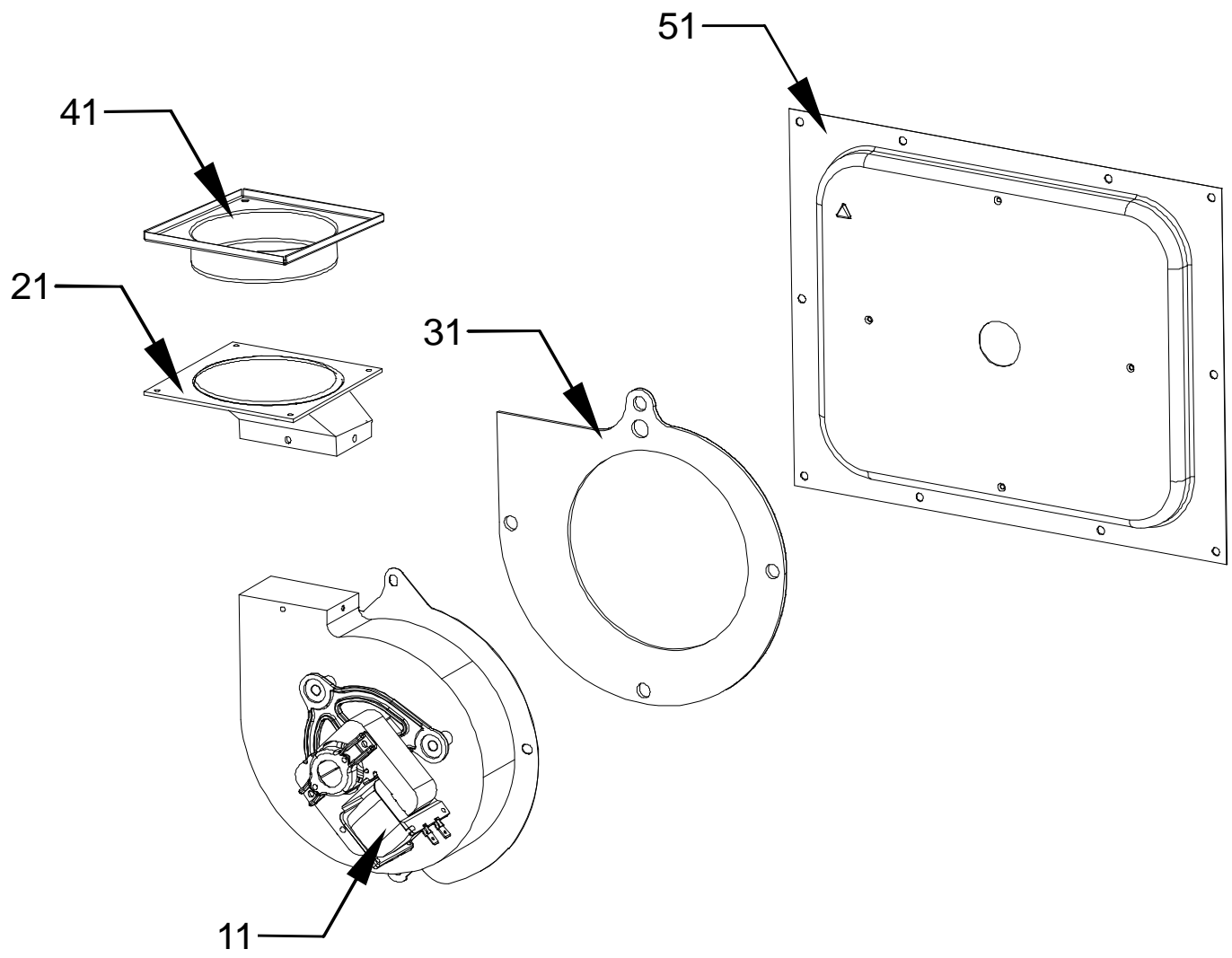
# Heat Exchanger Assembly



# Heat Exchanger Assembly

Ref. Part No:	No:	Description:	Ref. Part No:	No:	Description:
<i>Image 1:</i>			Expanded Model Nomenclature		
61	0270F00900	HEAT EXCHANGER ASSY (M1, M2, M3, M4)	M1	-	GMH80453ANCA
61	0270F00901	HEAT EXCHANGER ASSY (M5, M6, M7, M8)	M2	-	GMH80453ANCB
61	0270F00902	HEAT EXCHANGER ASSY (M13, M14, M15, M16, M17, M18)	M3	-	GMH80453AXCA
61	0270F00903	HEAT EXCHANGER ASSY (M23, M24, M25, M26)	M4	-	GMH80453AXCB
61	0270F00904	HEAT EXCHANGER ASSY (M27, M28, M29, M30)	M5	-	GMH80703ANCA
61	0270F00929	HEAT EXCHANGER ASSY (M9, M10, M11, M12)	M6	-	GMH80703ANCB
61	0270F00930	HEAT EXCHANGER ASSY (M19, M20, M21, M22)	M7	-	GMH80703AXCA
71	20162903	PRIMARY LIMIT - BLUE (M15, M16, M17, M18, M27, M28, M29, M30)	M8	-	GMH80703AXCB
71	0130F00036	PRIMARY LIMIT - PINK (M23, M24, M25, M26)	M9	-	GMH80704BNCA
71	0130F00035	PRIMARY LIMIT - PURPLE 220° (M1, M2, M3, M4)	M10	-	GMH80704BNCB
71	20162906	PRIMARY LIMIT - WHITE (M5, M6, M7, M8, M9, M10, M11, M12, M13, M14, M19, M20, M21, M22)	M11	-	GMH80704BXCA
81	4028000	ORIFICE SHIELD 2 CELL (M1, M2, M3, M4)	M12	-	GMH80704BXCB
81	4028001	ORIFICE SHIELD 3 CELL (M5, M6, M7, M8, M9, M10, M11, M12)	M13	-	GMH80903BNCA
81	4028002	ORIFICE SHIELD 4 CELL (M13, M14, M15, M16, M17, M18, M19, M20, M21, M22)	M14	-	GMH80903BNCB
81	4028003	ORIFICE SHIELD 5 CELL (M23, M24, M25, M26)	M15	-	GMH80904BNCA
81	4028004	ORIFICE SHIELD 6 CELL (M27, M28, M29, M30)	M16	-	GMH80904BNCB
91	0121F00146	BURNER BOX SIDE (QTY 2)	M17	-	GMH80904BXCA
101	B4022700	INSHOT BURNER ASSY 3" (QTY AR)	M18	-	GMH80904BXCB
111	0121F00167	BURNER BRACKET 2B (M1, M2, M3, M4)	M19	-	GMH80905CNCA
111	0121F00168	BURNER BRACKET 3B (M5, M6, M7, M8, M9, M10, M11, M12)	M20	-	GMH80905CNCB
111	0121F00169	BURNER BRACKET 4B (M13, M14, M15, M16, M17, M18, M19, M20, M21, M22)	M21	-	GMH80905CXCA
111	0121F00170	BURNER BRACKET 5B (M23, M24, M25, M26)	M22	-	GMH80905CXCB
111	0121F00171	BURNER BRACKET 6B (M27, M28, M29, M30)	M23	-	GMH81155CNCA
121	10716003	ORIFICE (QTY AR)	M24	-	GMH81155CNCB
131	0120F00006	MANIFOLD (M1, M2, M3, M4)	M25	-	GMH81155CXCA
131	0120F00007	MANIFOLD (M5, M6, M7, M8)	M26	-	GMH81155CXCB
131	0120F00008	MANIFOLD (M13, M14, M15, M16, M17, M18)	M27	-	GMH81405DNCA
131	0120F00009	MANIFOLD (M23, M24, M25, M26)	M28	-	GMH81405DNCB
131	0120F00010	MANIFOLD (M27, M28, M29, M30)	M29	-	GMH81405DXCA
131	0120F00017	MANIFOLD (M9, M10, M11, M12)	M30	-	GMH81405DXCB
131	0120F00018	MANIFOLD (M19, M20, M21, M22)			
141	0151F00000P	GAS VALVE - WHITE-RODGERS 2-STAGE			
151	0121F00162	BURNER BOX TOP 2 CELL (M1, M2, M3, M4)			
151	0121F00163	BURNER BOX TOP 3 CELL (M5, M6, M7, M8, M9, M10, M11, M12)			
151	0121F00164	BURNER BOX TOP 4 CELL (M13, M14, M15, M16, M17, M18, M19, M20, M21, M22)			
151	0121F00165	BURNER BOX TOP 5 CELL (M23, M24, M25, M26)			
151	0121F00166	BURNER BOX TOP 6 CELL (M27, M28, M29, M30)			
161	10123529	MANUAL RESET LIMIT (QTY 2)			
171	0130F00008S	SINI IGNITOR			
181	0130F00010	FLAME SENSOR			

# Collector Box Assembly



# Collector Box Assembly

**Ref. Part  
No: No:**

**Description:**

**Ref. Part  
No: No:**

**Description:**

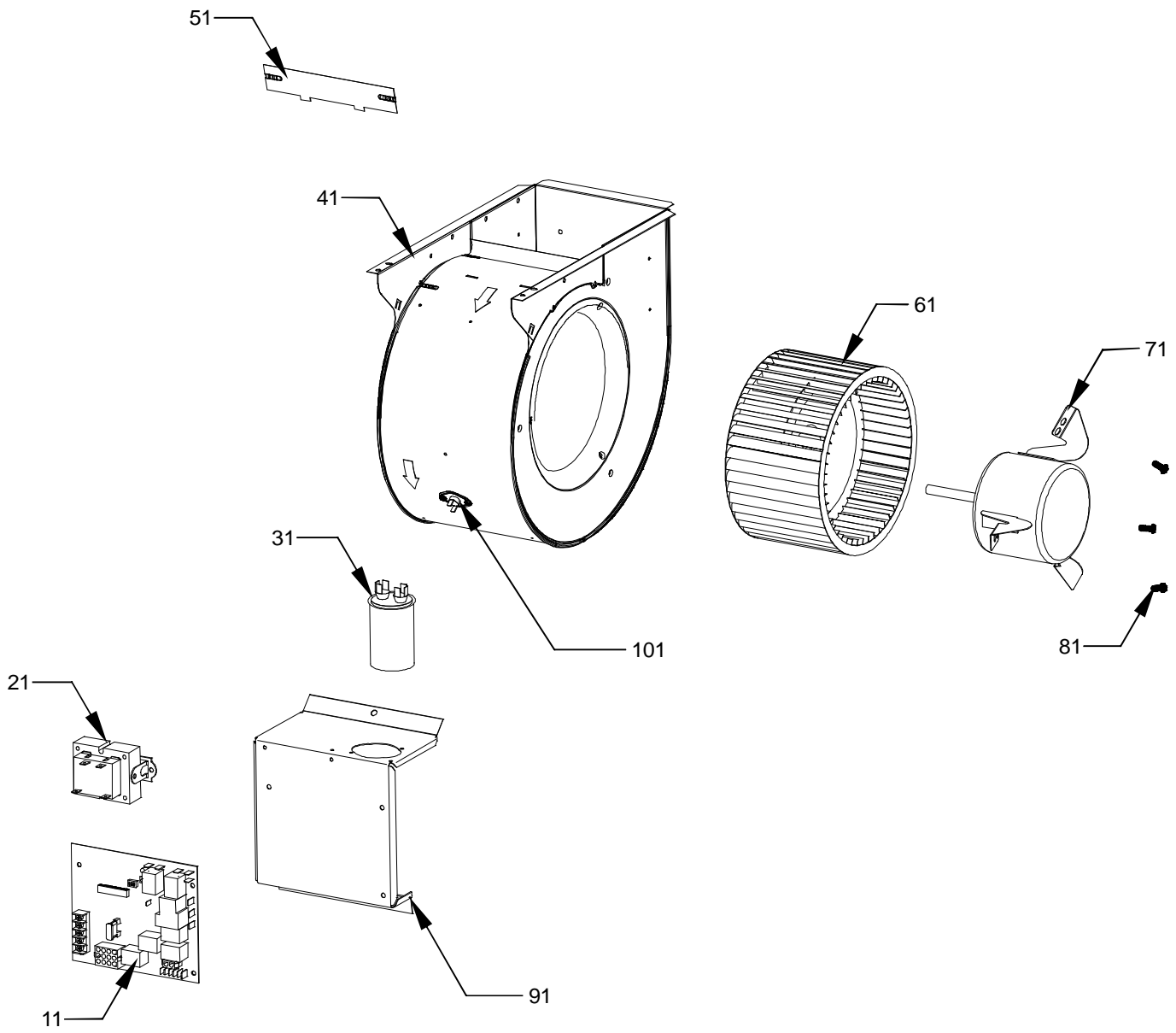
*Image 1:*

11	0131M00002	VENT MOTOR
21	0128F00006	CHIMNEY TRANSITION BOTTOM
31	0154F00003	VENT MOTOR GASKET 14" (M1, M2, M3, M4, M5, M6, M7, M8)
31	0154F00004	VENT MOTOR GASKET 17.5" (M9, M10, M11, M12, M13, M14, M15, M16, M17, M18)
31	0154F00005	VENT MOTOR GASKET 21" (M19, M20, M21, M22, M23, M24, M25, M26)
31	0154F00006	VENT MOTOR GASKET 24.5" (M27, M28, M29, M30)
41	4023500	CHIMNEY TRANSITION TOP
51	0121F00126	FLUE COLLECTOR BOX KIT 14" 1.25 DIA (M1, M2, M3, M4)
51	0121F00127	FLUE COLLECTOR BOX KIT 14" 2.0 DIA (M5, M6, M7, M8)
51	0121F00128	FLUE COLLECTOR BOX KIT 17.5" 1.75 DIA (M9, M10, M11, M12)
51	0121F00161	FLUE COLLECTOR BOX KIT 17.5" 2.0 DIA (M13, M14, M15, M16, M17, M18)
51	0121F00130	FLUE COLLECTOR BOX KIT 21" 2.25 DIA (M19, M20, M21, M22, M23, M24, M25, M26)
51	0121F00131	FLUE COLLECTOR BOX KIT 24.5" 3.5 DIA (M27, M28, M29, M30)

Expanded Model Nomenclature

M1 - GMH80453ANCA
M2 - GMH80453ANCB
M3 - GMH80453AXCA
M4 - GMH80453AXCB
M5 - GMH80703ANCA
M6 - GMH80703ANCB
M7 - GMH80703AXCA
M8 - GMH80703AXCB
M9 - GMH80704BNCA
M10 - GMH80704BNCB
M11 - GMH80704BXCA
M12 - GMH80704BXC
M13 - GMH80903BNCA
M14 - GMH80903BNCB
M15 - GMH80904BNCA
M16 - GMH80904BNCB
M17 - GMH80904BXCA
M18 - GMH80904BXC
M19 - GMH80905CNCA
M20 - GMH80905CNCB
M21 - GMH80905CXCA
M22 - GMH80905CXC
M23 - GMH81155CNCA
M24 - GMH81155CNCB
M25 - GMH81155CXCA
M26 - GMH81155CXC
M27 - GMH81405DNCA
M28 - GMH81405DNCB
M29 - GMH81405DXCA
M30 - GMH81405DXC

# Blower and Control Panel



# Blower and Control Panel

**Ref. Part  
No: No:**

**Description:**

**Ref. Part  
No: No:**

**Description:**

*Image 1:*

11	PCBBF122	IGNITION BOARD, HSI INTEGRATED 2-STG
21	B1141605	TRANSFORMER 120V TO 24V, 40 VA
31	CAP125000370RP	CAPACITOR 12.5/370V (M1, M2, M3, M4, M5, M6, M7, M8, M13, M14)
31	CAP200000440RP	CAPACITOR 20/370V (M9, M10, M11, M12, M15, M16, M17, M18, M19, M20, M21, M22, M23, M24, M25, M26)
31	CAP250000370RP	CAPACITOR 25/370V (M27, M28, M29, M30)
41	2539307	BLOWER HOUSING 10 X 10 (M19, M20, M21, M22, M23, M24, M25, M26, M27, M28, M29, M30)
41	2539305	BLOWER HOUSING 10 X 6 (M1, M2, M3, M4, M5, M6, M7, M8)
41	2539306	BLOWER HOUSING 10 X 8 (M9, M10, M11, M12, M13, M14, M15, M16, M17, M18)
51	764741F	BLOWER BLOCK-OFF 10 X 10 (M19, M20, M21, M22, M23, M24, M25, M26, M27, M28, M29, M30)
51	764740F	BLOWER BLOCK-OFF 10 X 8 (M9, M10, M11, M12, M13, M14, M15, M16, M17, M18)
51	764739	BLOWER CUT-OFF 10 X 6 (M1, M2, M3, M4, M5, M6, M7, M8)
61	D6723311	BLOWER WHEEL (M27, M28, M29, M30)
61	B1368047	BLOWER WHEEL 10 X 10 (M19, M20, M21, M22, M23, M24, M25, M26)
61	B1368034	BLOWER WHEEL 10 X 6 (M1, M2, M3, M4, M5, M6, M7, M8)
61	B1368016	BLOWER WHEEL 10 X 8 (M9, M10, M11, M12, M15, M16, M17, M18)
61	B1368058	BLOWER WHEEL 10 X 8 (M13, M14)
71	0131F00022	BLOWER MOTOR 1/2 HP, 4 SP, 6 PL (M9, M10, M11, M12, M15, M16, M17, M18, M19, M20, M21, M22, M23, M24, M25, M26)
71	0131F00020	BLOWER MOTOR 1/3 HP, 4 SP, 6 PL (M13, M14)
71	0131F00021	BLOWER MOTOR 1/3HP, 4SP, 6PL (M1, M2, M3, M4, M5, M6, M7, M8)
71	20046618	BLOWER MOTOR 3/4 HP (M27, M28, M29, M30)
81	M0250558	TC SCREW (QTY 3)
91	1815817	CONTROL MOUNT PANEL
101	0130F00038	PRIMARY LIMIT - LT BLUE 120°

Expanded Model Nomenclature

M1 - GMH80453ANCA
M2 - GMH80453ANCB
M3 - GMH80453AXCA
M4 - GMH80453AXCB
M5 - GMH80703ANCA
M6 - GMH80703ANCB
M7 - GMH80703AXCA
M8 - GMH80703AXCB
M9 - GMH80704BNCA
M10 - GMH80704BNCB
M11 - GMH80704BXCA
M12 - GMH80704BXCBC
M13 - GMH80903BNCA
M14 - GMH80903BNCB
M15 - GMH80904BNCA
M16 - GMH80904BNCB
M17 - GMH80904BXCA
M18 - GMH80904BXCBC
M19 - GMH80905CNCA
M20 - GMH80905CNCB
M21 - GMH80905CXCA
M22 - GMH80905CXCBC
M23 - GMH81155CNCA
M24 - GMH81155CNCB
M25 - GMH81155CXCA
M26 - GMH81155CXCBC
M27 - GMH81405DNCA
M28 - GMH81405DNCB
M29 - GMH81405DXCA
M30 - GMH81405DXCBC