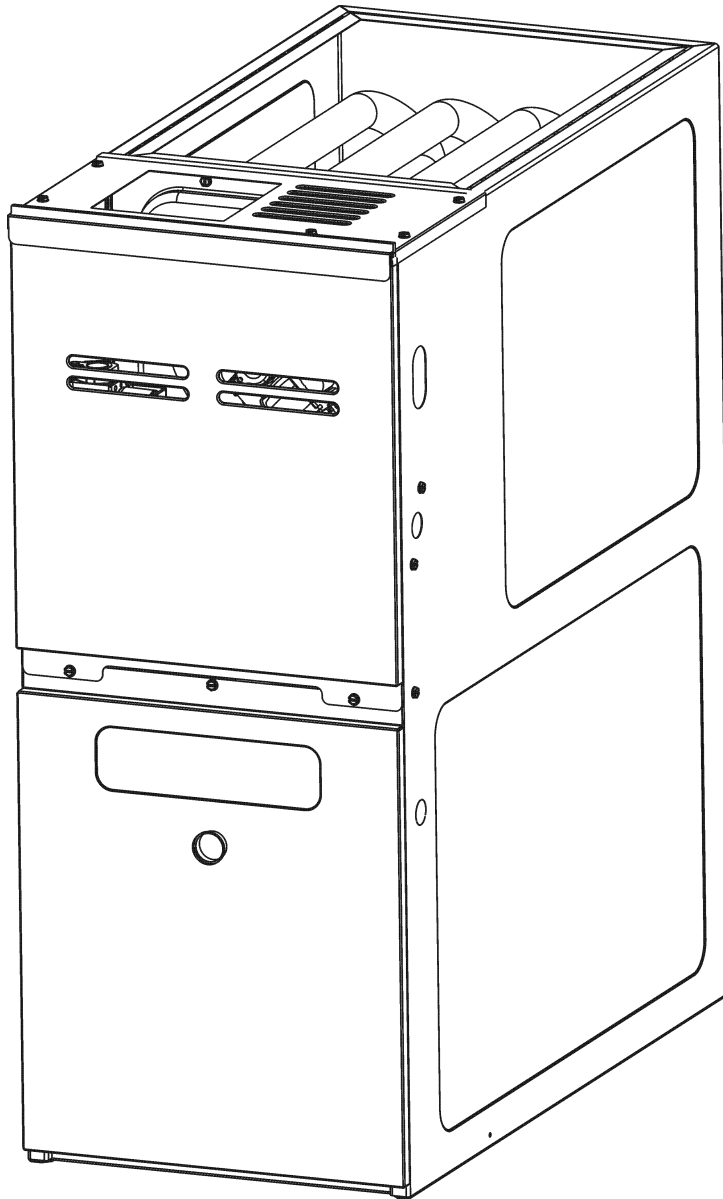


GMH 80% Two Stage Upflow Horizontal Furnace

GMH80403ANBC
GMH80403AXBC
GMH80603ANBC
GMH80603AXBC
GMH80604BNBC
GMH80604BXBC
GMH80803BNBC
GMH80803BXBC
GMH80804BNBC
GMH80804BXBC
GMH80805CNBC
GMH80805CXBC
GMH81005CNBC
GMH81005CXBC



This manual is to be used by qualified technicians only.

This manual replaces RP-G2306.

© 2016 - 2017 Goodman Manufacturing Company, L.P. ♦ 5151 San Felipe St., Suite 500 ♦ Houston, TX 77056

Important Information

Index

Functional Parts List	3
Illustration and Parts	4 - 9

Views shown are for parts illustrations only, not servicing procedures

Text Codes:

AR - As Required

NA - Not Available

NS - Not Shown

00000000 - See Note

QTY - Quantity Example (QTY 3) (If Quantity not shown, Quantity = 1)

M - Model Example (M1) (If M Code not shown, then part is used on all Models)

Expanded Model Nomenclature:

Example M1 - Model#1 M2 - Model#2 M3 - Model#3

Goodman Manufacturing Company, L.P. is not responsible for personal injury or property damage resulting from improper service. Review all service information before beginning repairs.

Warranty service must be performed by an authorized technician, using authorized factory parts. If service is required after the warranty expires, Goodman Manufacturing Company, L.P. also recommends contacting an authorized technician and using authorized factory parts.

Goodman Manufacturing Company, L.P. reserves the right to discontinue, or change at any time, specifications or designs without notice or without incurring obligations.

For assistance within the U.S.A. contact:
Homeowner Support
Goodman Manufacturing Company, L.P.
19001 Kermier Road
Waller, Texas 77484
877-254-4729-Telephone
713-863-2382-Facsimile

For assistance outside the U.S.A. contact:
International Division
Goodman Manufacturing Company, L.P.
19001 Kermier Road
Waller, Texas 77484
713-861-2500-Telephone
713-863-2382-Facsimile

Functional Parts

Part

No: Description:

20162904	*PRIMARY LIMIT-TEMPERATURE CONTROL (M3, M4, M5, M6, M7, M8, M9, M10, M13, M14) *Refer to service bulletin SF-054
B1368034	BLOWER WHEEL 10 X 6 (M1, M2, M3, M4)
B1368058	BLOWER WHEEL 10 X 8 (M7, M8)
CAP200000370CP	CAP, 20 MFD/370V/ RD
0130F00010	FLAME SENSOR
10690402	INTERLOCK SWITCH
10123529	MANUAL RESET R.O.S. LIMIT (QTY 2)
0131F00042	MOTOR, 1/2HP, 4SP, 6PL (M5, M6, M9, M10)
0131F00043	MOTOR, 1/2HP, 4SP, 6PL (M11, M12, M13, M14)
0131F00041	MOTOR, 1/3HP, 4SP, 6PL (M1, M2, M3, M4, M7, M8)
0131M00002P	MOTOR, VENT 80+
PCBBF132	PCB 2STAGE HYBRID FURNACE CNTL
20162901	PRESSURE LIMIT-RED (M1, M2)
B1370179	PRESSURE SWITCH (M3, M4, M5, M6, M11, M12)
B1370158	PRESSURE SWITCH -0.70" WC (M1, M2, M7, M8, M9, M10, M13, M14)
20162903	PRIMARY LIMIT - BLUE (M11, M12)
0130F00038	PRIMARY LIMIT - LT BLUE 120° (AUX)
0130F00008	SINI IGNITOR
0130M00140	TRANSFORMER 120V TO 24V, 40VA
0151M00028	VALVE,GAS(HW)VR92
0150M00042	WHEEL, BLOWER (10 X 10) (M11, M12, M13, M14)
0150M00043	WHEEL, BLOWER (10 X 8) (M5, M6, M9, M10)

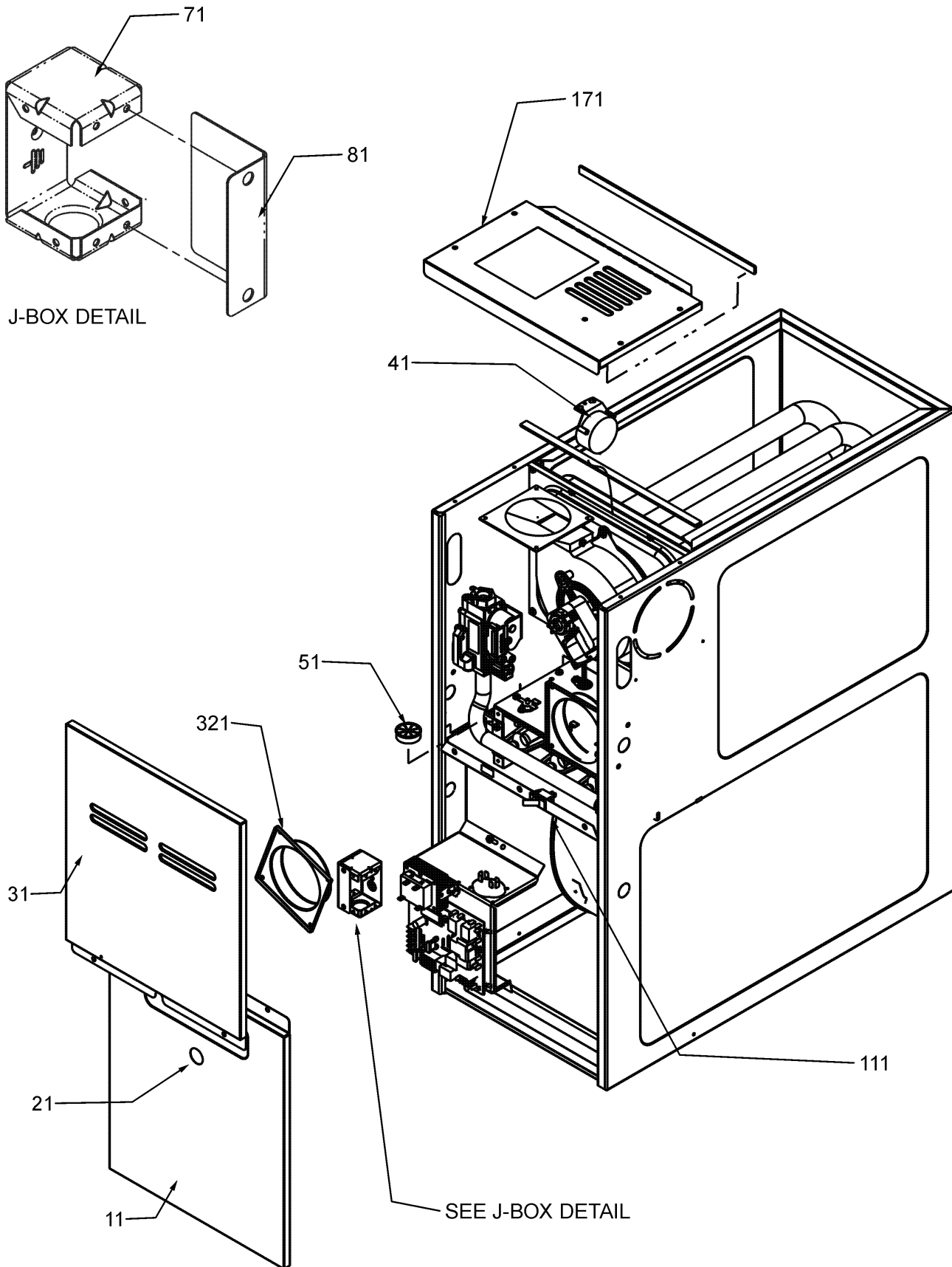
SPECIAL PARTS

0161F00007 GOODMAN NAMEPLATE

Expanded Model Nomenclature

M1 - GMH80403ANBC
M2 - GMH80403AXBC
M3 - GMH80603ANBC
M4 - GMH80603AXBC
M5 - GMH80604BNBC
M6 - GMH80604BXBC
M7 - GMH80803BNBC
M8 - GMH80803BXBC
M9 - GMH80804BNBC
M10 - GMH80804BXBC
M11 - GMH80805CNBC
M12 - GMH80805CXBC
M13 - GMH81005CNBC
M14 - GMH81005CXBC

Wrapper Assy



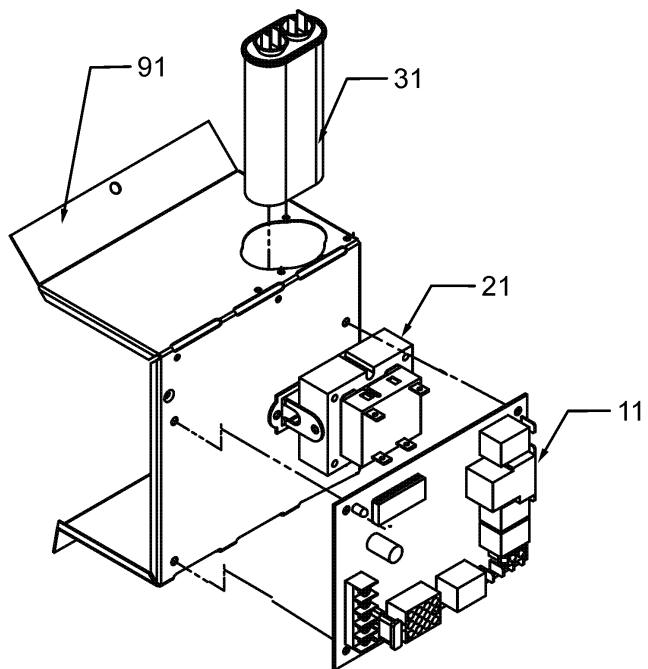
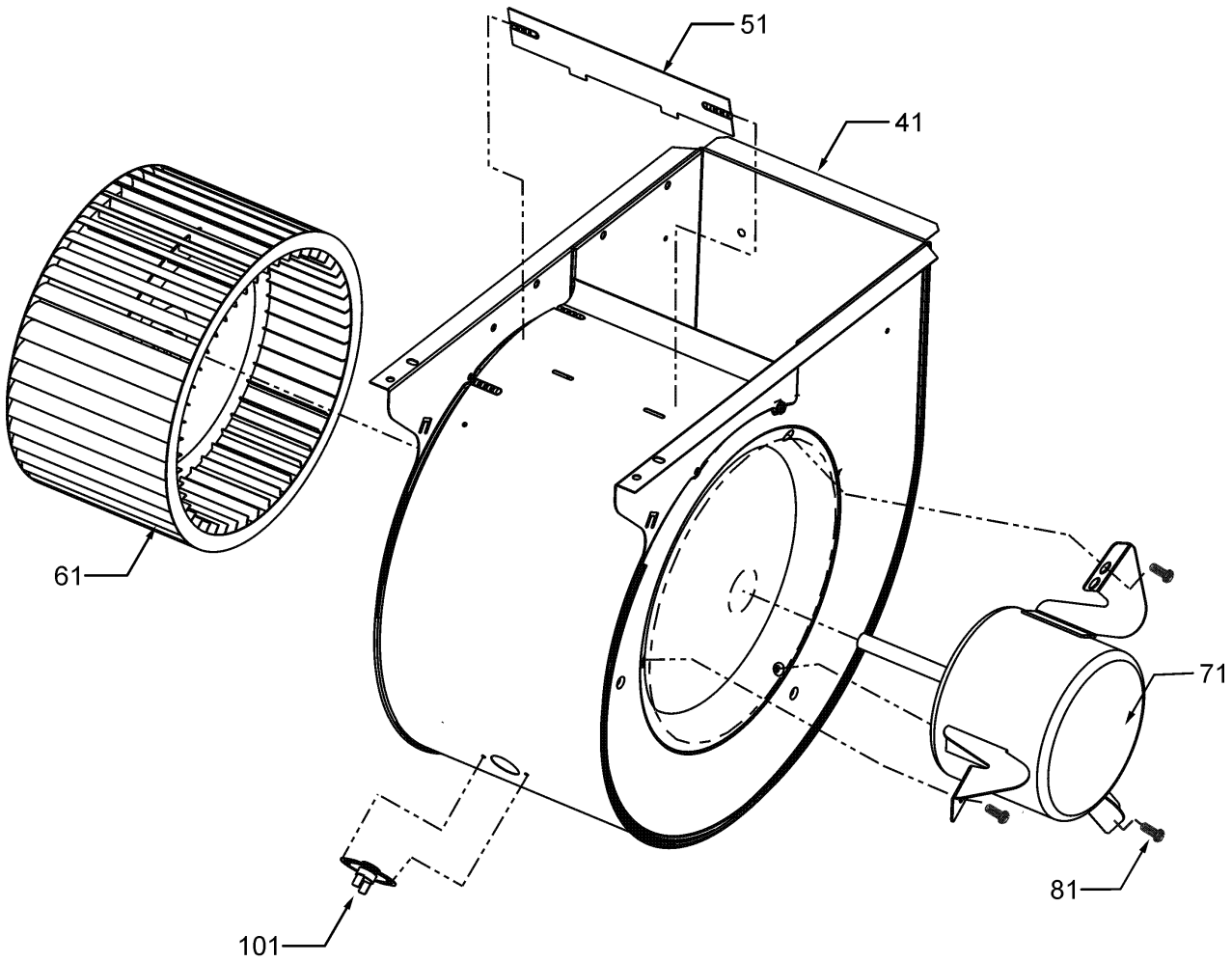
Wrapper Assy

Ref. Part No:	No:	Description:	Ref. Part No:	No:	Description:
Image 1:					
11	0121F00122DG	BLOWER ACCESS DOOR 14" (M1, M2, M3, M4)			
11	0121F00123DG	BLOWER ACCESS DOOR 17.5" (M5, M6, M7, M8, M9, M10)			
11	0121F00124DG	BLOWER ACCESS DOOR 21" (M11, M12, M13, M14)			
21	B1392139	VIEW PORT BUSHING-BLOWER DOOR			
31	0121F00118DG	CONTROL ACCESS DOOR 14" (M1, M2, M3, M4)			
31	0121F00119DG	CONTROL ACCESS DOOR 17.5" (M5, M6, M7, M8, M9, M10)			
31	0121F00120DG	CONTROL ACCESS DOOR 21" (M11, M12, M13, M14)			
41	B1370179	PRESSURE SWITCH (M3, M4, M5, M6, M11, M12)			
41	B1370158	PRESSURE SWITCH -0.70" WC (M1, M2, M7, M8, M9, M10, M13, M14)			
51	B1392147	UNIVERSAL BUSHING WITH SLICE			
71	4014502	J-BOX			
81	4015502	J-BOX COVER			
111	10690402	INTERLOCK SWITCH			
171	0121F00141DG	TOP 14" (M1, M2, M3, M4)			
171	0121F00142DG	TOP 17.5" (M5, M6, M7, M8, M9, M10)			
171	0121F00143DG	TOP 21" (M11, M12, M13, M14)			
321	4023500	CHIMNEY TRANSITION TOP			
NS	0161F00007	GOODMAN NAMEPLATE			

Expanded Model Nomenclature

M1 - GMH80403ANBC
M2 - GMH80403AXBC
M3 - GMH80603ANBC
M4 - GMH80603AXBC
M5 - GMH80604BNBC
M6 - GMH80604BXBC
M7 - GMH80803BNBC
M8 - GMH80803BXBC
M9 - GMH80804BNBC
M10 - GMH80804BXBC
M11 - GMH80805CNBC
M12 - GMH80805CXBC
M13 - GMH81005CNBC
M14 - GMH81005CXBC

Blower Assy



Blower Assy

Ref. Part No: No:	Description:	Ref. Part No: No:	Description:
-------------------	--------------	-------------------	--------------

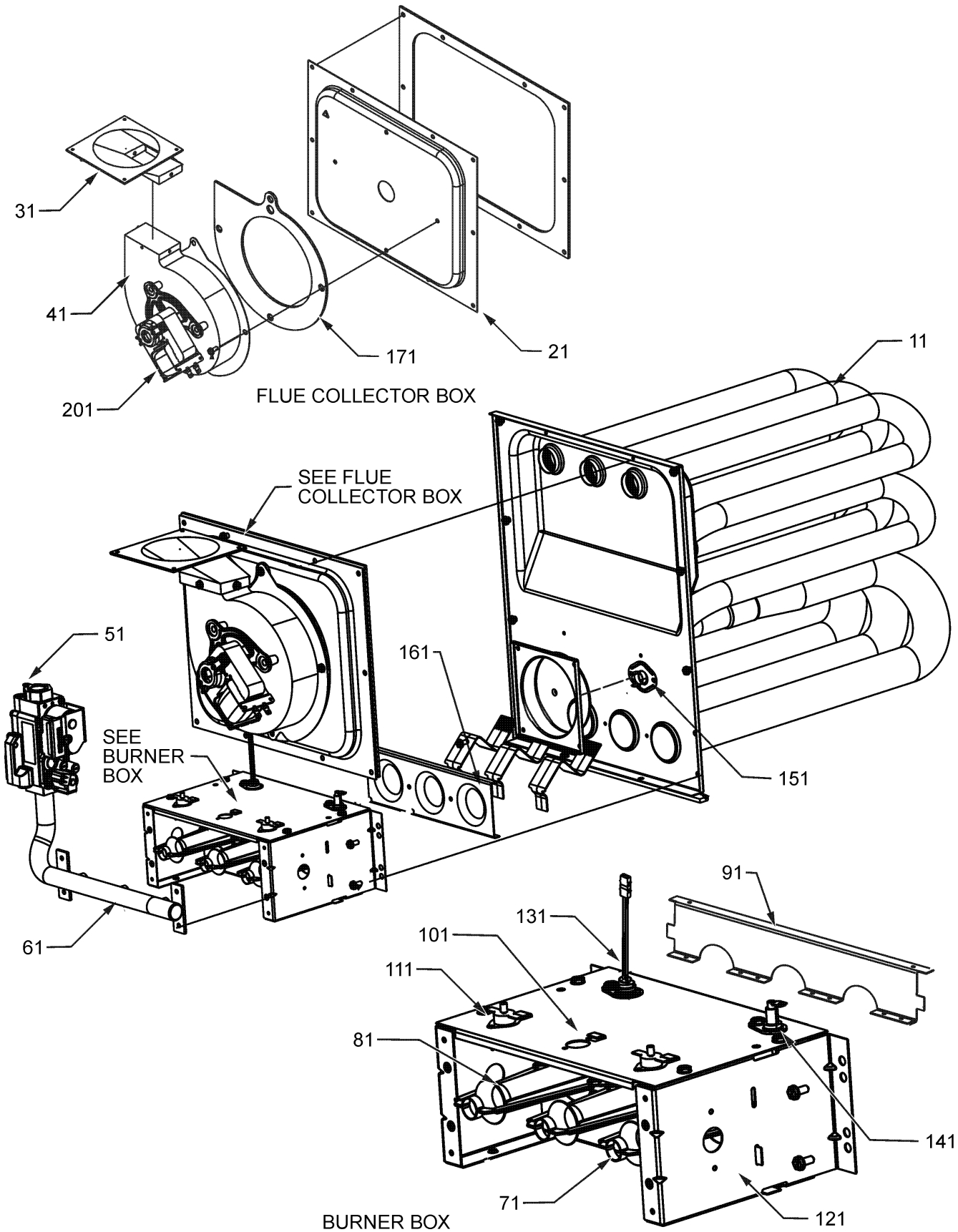
Image 1:

11	PCBBF132	PCB 2STAGE HYBRID FURNACE CNTL
21	0130M00140	TRANSFORMER 120V TO 24V, 40VA
31	CAP200000370CP	CAP, 20 MFD/370V/ RD
41	2539307	BLOWER HOUSING 10 X 10 (M11, M12, M13, M14)
41	2539305	BLOWER HOUSING 10 X 6 (M1, M2, M3, M4)
41	2539306	BLOWER HOUSING 10 X 8 (M5, M6, M7, M8, M9, M10)
51	764741	BLOWER BLOCK-OFF 10 X 10 (M11, M12, M13, M14)
51	764740	BLOWER BLOCK-OFF 10 X 8 (M5, M6, M7, M8, M9, M10)
51	764739	BLOWER CUT-OFF 10 X 6 (M1, M2, M3, M4)
61	B1368034	BLOWER WHEEL 10 X 6 (M1, M2, M3, M4)
61	B1368058	BLOWER WHEEL 10 X 8 (M7, M8)
61	0150M00042	WHEEL, BLOWER (10 X 10) (M11, M12, M13, M14)
61	0150M00043	WHEEL, BLOWER (10 X 8) (M5, M6, M9, M10)
71	0131F00042	MOTOR, 1/2HP, 4SP, 6PL (M5, M6, M9, M10)
71	0131F00043	MOTOR, 1/2HP, 4SP, 6PL (M11, M12, M13, M14)
71	0131F00041	MOTOR, 1/3HP, 4SP, 6PL (M1, M2, M3, M4, M7, M8)
81	M0250558	TC SCREW (QTY 3)
91	1815817	CONTROL MOUNT PANEL
101	0130F00038	PRIMARY LIMIT - LT BLUE 120° (AUX)

Expanded Model Nomenclature

- M1 - GMH80403ANBC
- M2 - GMH80403AXBC
- M3 - GMH80603ANBC
- M4 - GMH80603AXBC
- M5 - GMH80604BNBC
- M6 - GMH80604BXBC
- M7 - GMH80803BNBC
- M8 - GMH80803BXBC
- M9 - GMH80804BNBC
- M10 - GMH80804BXBC
- M11 - GMH80805CNBC
- M12 - GMH80805CXBC
- M13 - GMH81005CNBC
- M14 - GMH81005CXBC

Heat Exchanger Assy



Heat Exchanger Assy

Ref. Part No: No:	Description:	Ref. Part No: No:	Description:
<i>Image 1:</i>		Expanded Model Nomenclature	
11	0270F00900	HEAT EXCHANGER ASSY (M1, M2)	M1 - GMH80403ANBC
11	0270F00901	HEAT EXCHANGER ASSY (M3, M4)	M2 - GMH80403AXBC
11	0270F00902	HEAT EXCHANGER ASSY (M7, M8, M9, M10)	M3 - GMH80603ANBC
11	0270F00903	HEAT EXCHANGER ASSY (M13, M14)	M4 - GMH80603AXBC
11	0270F00929	HEAT EXCHANGER ASSY (M5, M6)	M5 - GMH80604BNBC
11	0270F00930	HEAT EXCHANGER ASSY (M11, M12)	M6 - GMH80604BXBC
21	0121F00333	21" COLLECTOR BOX 1.75" DIA (M11, M12, M13, M14)	M7 - GMH80803BNBC
21	0121F00126	FLUE COLLECTOR BOX KIT 14" 1.25 DIA (M1, M2)	M8 - GMH80803BXBC
21	0121F00198	FLUE COLLECTOR BOX KIT 14" 1.75 DIA (M3, M4)	M9 - GMH80804BNBC
21	0121F00128	FLUE COLLECTOR BOX KIT 17.5" 1.75 DIA (M5, M6, M7, M8, M9, M10)	M10 - GMH80804BXBC
31	0128F00006	CHIMNEY TRANSITION BOTTOM	M11 - GMH80805CNBC
41	0131M00002P	MOTOR, VENT 80+	M12 - GMH80805CXBC
51	0151M00028	VALVE,GAS(HW)VR92	M13 - GMH81005CNBC
61	0120F00006	MANIFOLD (M1, M2)	M14 - GMH81005CXBC
61	0120F00007	MANIFOLD (M3, M4, M5, M6)	
61	0120F00008	MANIFOLD (M7, M8, M9, M10, M11, M12)	
61	0120F00009	MANIFOLD (M13, M14)	
71	10716005	ORIFICE (QTY 2)	
81	B4022700	INSHOT BURNER ASSY 3" (QTY 2)	
91	0121F00167	BURNER BRACKET 2B (M1, M2)	
91	0121F00168	BURNER BRACKET 3B (M3, M4, M5, M6)	
91	0121F00169	BURNER BRACKET 4B (M7, M8, M9, M10, M11, M12)	
91	0121F00170	BURNER BRACKET 5B (M13, M14)	
101	0121F00162	BURNER BOX TOP 2 CELL (M1, M2)	
101	0121F00163	BURNER BOX TOP 3 CELL (M3, M4, M5, M6)	
101	0121F00164	BURNER BOX TOP 4 CELL (M7, M8, M9, M10, M11, M12)	
101	0121F00165	BURNER BOX TOP 5 CELL (M13, M14)	
111	10123529	MANUAL RESET R.O.S. LIMIT (QTY 2)	
121	0121F00146	BURNER BOX SIDE (QTY 2)	
131	0130F00008	SINI IGNITOR	
141	0130F00010	FLAME SENSOR	
151	20162904	*PRIMARY LIMIT-TEMPERATURE CONTROL (M3, M4, M5, M6, M7, M8, M9, M10, M13, M14) *Refer to service bulletin SF-054	
151	20162901	PRESSURE LIMIT-RED (M1, M2)	
151	20162903	PRIMARY LIMIT - BLUE (M11, M12)	
161	4028000	ORIFICE SHIELD 2 CELL (M1, M2)	
161	4028001	ORIFICE SHIELD 3 CELL (M3, M4, M5, M6)	
161	4028002	ORIFICE SHIELD 4 CELL (M7, M8, M9, M10, M11, M12)	
161	4028003	ORIFICE SHIELD 5 CELL (M13, M14)	
171	0154F00003	VENT MOTOR GASKET 14" (M1, M2, M3, M4)	
171	0154F00004	VENT MOTOR GASKET 17.5" (M5, M6, M7, M8, M9, M10)	
171	0154F00005	VENT MOTOR GASKET 21" (M11, M12, M13, M14)	
201	DY6.186.070	VENT MOTOR CAPACITOR	
NS	0259F00050	KIT, WIRE HYBRID FURN	
NS	0259F00073	WIRE HARNESS ASSY (M11, M12, M13, M14)	
NS	0259F00085	WIRE HARNESS ASSY (M1, M2, M3, M4, M5, M6, M7, M8, M9, M10)	
NS	0159F00060	WIRE HARNESS ASSY. , IGNITOR	