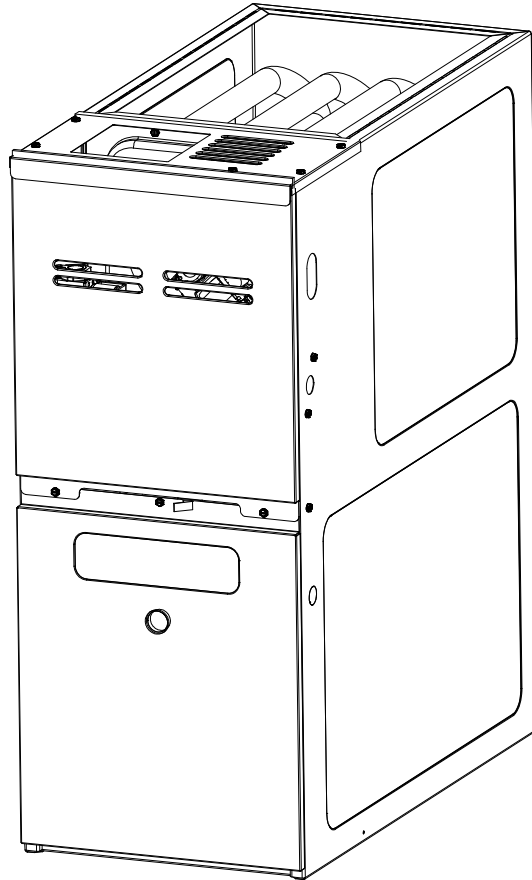


GMH8 80% Upflow Hybrid Furnace

GMH80453ANCC
GMH80453AXCC
GMH80703ANCC
GMH80703AXCC
GMH80704BNCC
GMH80704BXCC
GMH80903BNCC
GMH80904BNCC
GMH80904BXCC
GMH80905CNCC
GMH80905CXCC
GMH81155CNCC
GMH81155CXCC
GMH81405DNCC
GMH81405DXCC



This manual is to be used by qualified technicians only.

© 2010 Goodman Manufacturing Company, L.P. ♦ 5151 San Felipe, Suite 500 ♦ Houston, TX 77056

Important Information

Index

Functional Parts List	3
Illustration and Parts	4 - 11

Views shown are for parts illustrations only, not servicing procedures

Text Codes:

AR - As Required

NA - Not Available

NS - Not Shown

00000000 - See Note

QTY - Quantity Example (QTY 3) (If Quantity not shown, Quantity = 1)

M - Model Example (M1) (If M Code not shown, then part is used on all Models)

Expanded Model Nomenclature:

Example M1 - Model#1 M2 - Model#2 M3 - Model#3

Goodman Manufacturing Company, L.P. is not responsible for personal injury or property damage resulting from improper service. Review all service information before beginning repairs.

Warranty service must be performed by an authorized technician, using authorized factory parts. If service is required after the warranty expires, Goodman Manufacturing Company, L.P. also recommends contacting an authorized technician and using authorized factory parts.

Goodman Manufacturing Company, L.P. reserves the right to discontinue, or change at any time, specifications or designs without notice or without incurring obligations.

For assistance within the U.S.A. contact:
Consumer Affairs Department
Goodman Manufacturing Company, L.P.
7401 Security Way
Houston, Texas 77040
877-254-4729-Telephone
713-863-2382-Facsimile

For assistance outside the U.S.A. contact:
International Division
Goodman Manufacturing Company, L.P.
7401 Security Way
Houston, Texas 77040
713-861-2500-Telephone
713-863-2382-Facsimile

Functional Parts

Part No: **Description:**

Expanded Model Nomenclature

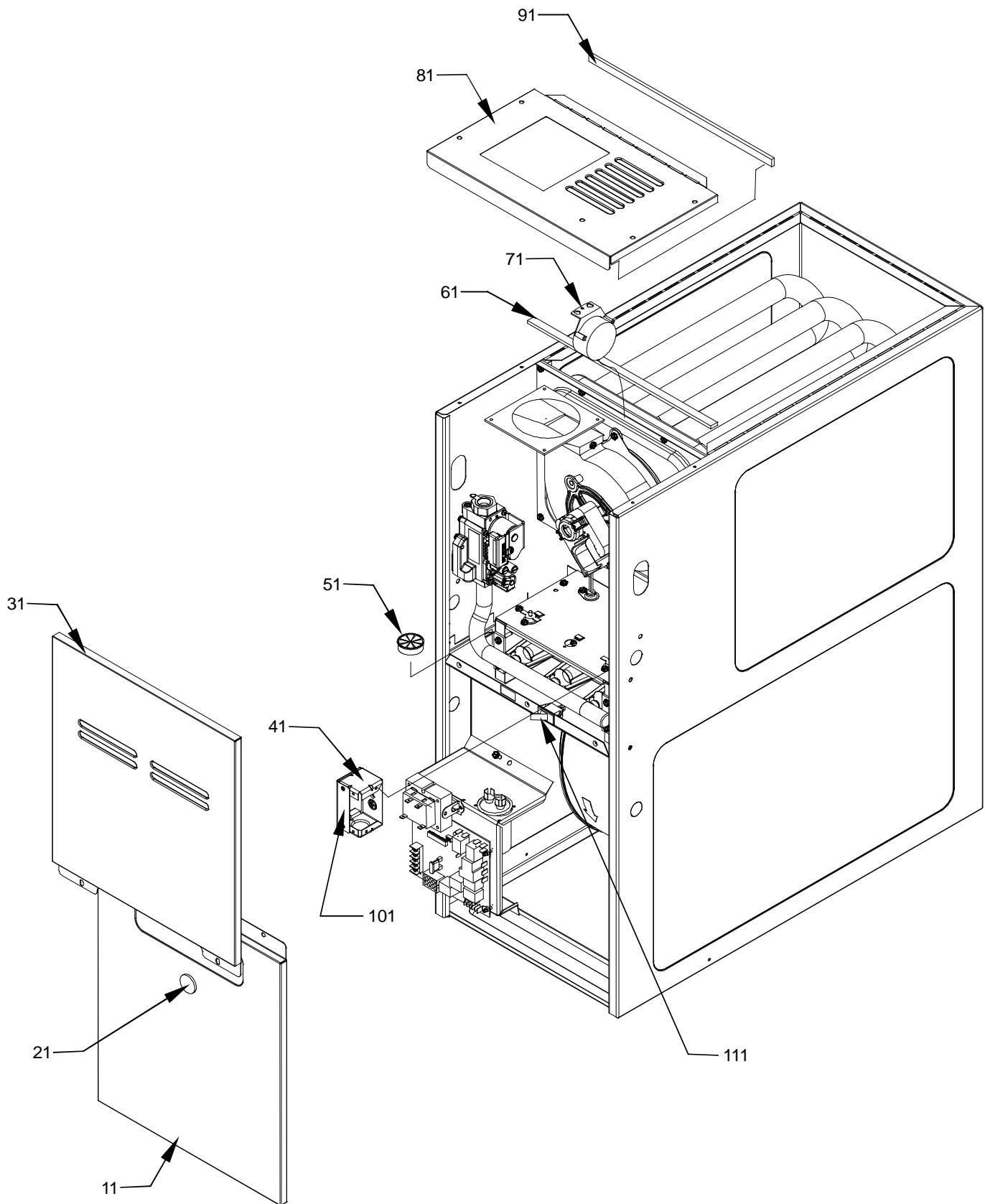
0131F00022 BLOWER MOTOR 1/2 HP, 4 SP, 6 PL (M5, M6, M8, M9, M10, M11, M12, M13)
 0131F00020 BLOWER MOTOR 1/3 HP, 4 SP, 6 PL (M7)
 0131F00021 BLOWER MOTOR 1/3HP, 4SP, 6PL (M1, M2, M3, M4)
 20046618 BLOWER MOTOR 3/4 HP (M14, M15)
 D6723311 BLOWER WHEEL (M14, M15)
 B1368047 BLOWER WHEEL 10 X 10 (M10, M11, M12, M13)
 B1368034 BLOWER WHEEL 10 X 6 (M1, M2, M3, M4)
 B1368016 BLOWER WHEEL 10 X 8 (M5, M6, M8, M9)
 B1368058 BLOWER WHEEL 10 X 8 (M7)
 CAP125000370RP CAPACITOR 12.5/370V (M1, M2, M3, M4, M7)
 CAP200000440RP CAPACITOR 20/370V (M5, M6, M8, M9, M10, M11, M12, M13)
 CAP250000370RP CAPACITOR 25/370V (M14, M15)
 0130F00010 FLAME SENSOR
 0151M00014 GAS VALVE - HONEYWELL 2-STAGE
 PCBFF122 IGNITION BOARD, HSI INTEGRATED 2-STG
 B4022700 INSHOT BURNER ASSY 3" (QTY AR)
 B1370818 INTERLOCK SWITCH
 10123529 MANUAL RESET LIMIT (QTY 2)
 10716003 ORIFICE (QTY AR)
 0130F00041 PRESSURE SWITCH (M12, M13)
 0130F00042 PRESSURE SWITCH (M14, M15)
 B1370179 PRESSURE SWITCH (M5, M6, M7, M8, M9, M10, M11)
 B1370158 PRESSURE SWITCH -0.70" WC (M1, M2, M3, M4)
 20162903 PRIMARY LIMIT - BLUE (M8, M9, M14, M15)
 0130F00038 PRIMARY LIMIT - LT BLUE 120°
 0130F00036 PRIMARY LIMIT - PINK (M12, M13)
 0130F00035 PRIMARY LIMIT - PURPLE 220° (M1, M2)
 20162906 PRIMARY LIMIT - WHITE (M3, M4, M5, M6, M7, M10, M11)
 0130F00008 SINI IGNITOR
 B1141605 TRANSFORMER 120V TO 24V, 40 VA
 0131M00002S VENT MOTOR

M1 - GMH80453ANCC
M2 - GMH80453AXCC
M3 - GMH80703ANCC
M4 - GMH80703AXCC
M5 - GMH80704BNCC
M6 - GMH80704BXCC
M7 - GMH80903BNCC
M8 - GMH80904BNCC
M9 - GMH80904BXCC
M10 - GMH80905CNCC
M11 - GMH80905CXCC
M12 - GMH81155CNCC
M13 - GMH81155CXCC
M14 - GMH81405DNCC
M15 - GMH81405DXCC

SPECIAL PARTS

0259F00053 12-PIN WIRE HARNESS ASSY
 0161F00007 GOODMAN NAMEPLATE
 HI-115B HOMEOWNERS INSTRUCTIONS
 0259F00051 IGNITOR WIRE HARNESS ASSY
 IO-669 INSTALL-HUMIDIFIER
 IO-359E INSTR, INSTALL & OPER
 0259F00050 KIT, WIRE HYBRID FURN

Cabinet



Cabinet

**Ref. Part
No: No:**

Description:

**Ref. Part
No: No:**

Description:

Image 1:

11	0121F00122DG	BLOWER ACCESS DOOR 14" (M1, M2, M3, M4)
11	0121F00123DG	BLOWER ACCESS DOOR 17.5" (M5, M6, M7, M8, M9)
11	0121F00124DG	BLOWER ACCESS DOOR 21" (M10, M11, M12, M13)
11	0121F00125DG	BLOWER ACCESS DOOR 24.5" (M14, M15)
21	B1392139	VIEW PORT BUSHING-BLOWER DOOR
31	0121F00120DG	CONTROL ACCESS DOOR 21" (M10, M11, M12, M13)
31	0121F00118DG	CONTROL ACCESS DOOR 14" (M1, M2, M3, M4)
31	0121F00119DG	CONTROL ACCESS DOOR 17.5" (M5, M6, M7, M8, M9)
31	0121F00121DG	CONTROL ACCESS DOOR 24.5" (M14, M15)
41	4014502	J-BOX
51	B1392147	UNIVERSAL BUSHING WITH SLICE
61	B13926111	SEAL STRIP, 1/8 X 1/2 X 14 (M1, M2, M3, M4)
61	B13926112	SEAL STRIP, 1/8 X 1/2 X 17.5 (M5, M6, M7, M8, M9)
61	B13926113	SEAL STRIP, 1/8 X 1/2 X 21 (M10, M11, M12, M13)
61	B13926114	SEAL STRIP, 1/8 X 1/2 X 24.5 (M14, M15)
71	0130F00041	PRESSURE SWITCH (M12, M13)
71	0130F00042	PRESSURE SWITCH (M14, M15)
71	B1370179	PRESSURE SWITCH (M5, M6, M7, M8, M9, M10, M11)
71	B1370158	PRESSURE SWITCH -0.70" WC (M1, M2, M3, M4)
81	0121F00141DG	TOP 14" (M1, M2, M3, M4)
81	0121F00142DG	TOP 17.5" (M5, M6, M7, M8, M9)
81	0121F00143DG	TOP 21" (M10, M11, M12, M13)
81	0121F00144DG	TOP 24.5" (M14, M15)
91	B13926111	SEAL STRIP, 1/8 X 1/2 X 14
101	4015502	J-BOX COVER
111	B1370818	INTERLOCK SWITCH
NS	0259F00053	12-PIN WIRE HARNESS ASSY
NS	0161F00007	GOODMAN NAMEPLATE
NS	0259F00051	IGNITOR WIRE HARNESS ASSY
NS	0259F00050	KIT, WIRE HYBRID FURN
NS	0270K00015	SOLID BOTTOM 14" CASE (M1, M2, M3, M4)
NS	0270K00016	SOLID BOTTOM 17.5" CASE (M5, M6, M7, M8, M9)
NS	0270K00017	SOLID BOTTOM 21" CASE (M10, M11, M12, M13)
NS	0270K00018	SOLID BOTTOM 24.5" CASE (M14, M15)

Expanded Model Nomenclature

M1 - GMH80453ANCC
M2 - GMH80453AXCC
M3 - GMH80703ANCC
M4 - GMH80703AXCC
M5 - GMH80704BNCC
M6 - GMH80704BXCC
M7 - GMH80903BNCC
M8 - GMH80904BNCC
M9 - GMH80904BXCC
M10 - GMH80905CNCC
M11 - GMH80905CXCC
M12 - GMH81155CNCC
M13 - GMH81155CXCC
M14 - GMH81405DNCC
M15 - GMH81405DXCC

Heat Exchanger Assembly

Image 1

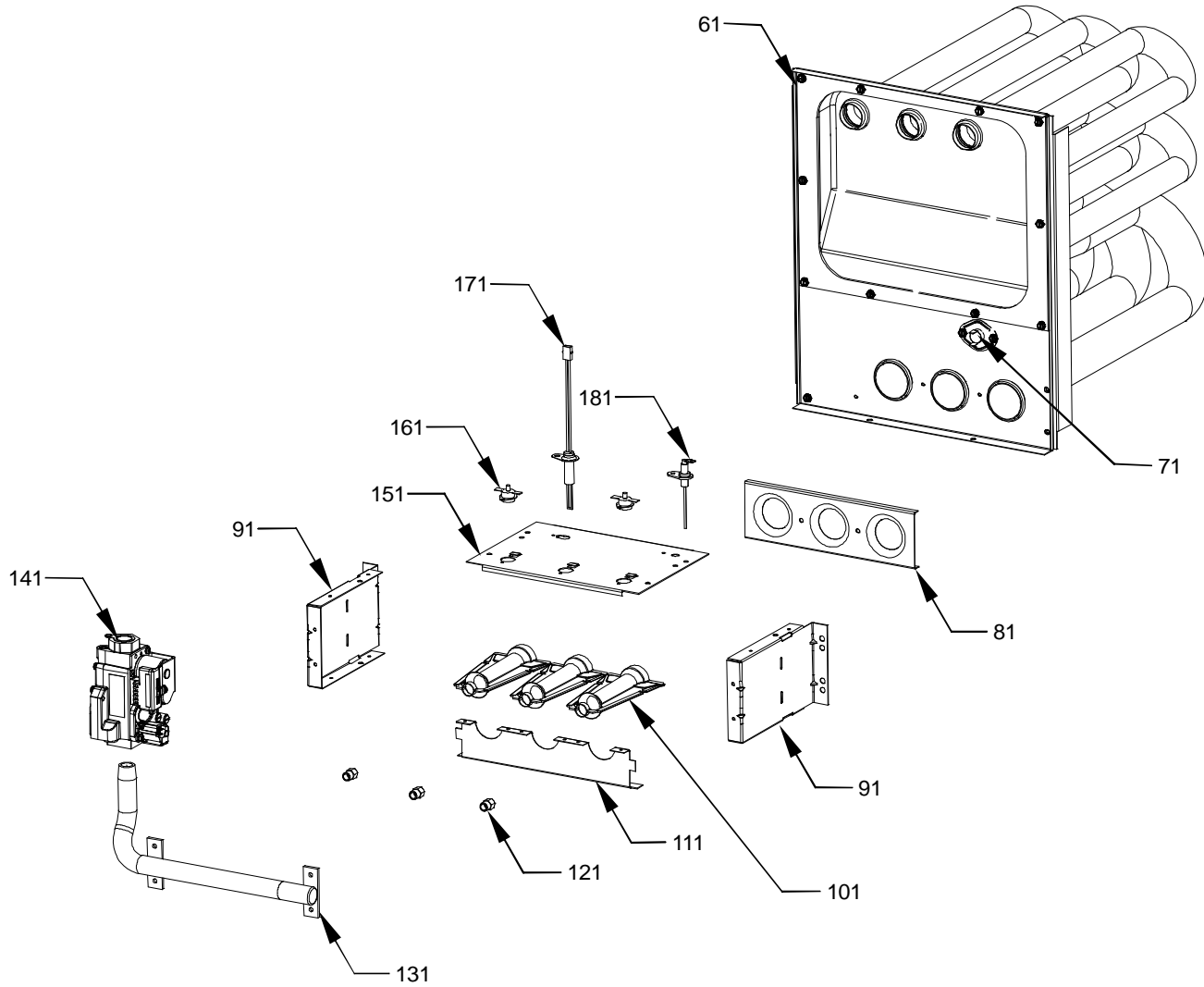
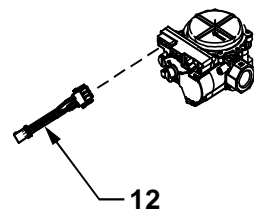


Image 2



Heat Exchanger Assembly

**Ref. Part
No: No:**

Description:

**Ref. Part
No: No:**

Description:

Image 1:

61	0270F00900	HEAT EXCHANGER ASSY (M1, M2)
61	0270F00901	HEAT EXCHANGER ASSY (M3, M4)
61	0270F00902	HEAT EXCHANGER ASSY (M7, M8, M9)
61	0270F00903	HEAT EXCHANGER ASSY (M12, M13)
61	0270F00904	HEAT EXCHANGER ASSY (M14, M15)
61	0270F00929	HEAT EXCHANGER ASSY (M5, M6)
61	0270F00930	HEAT EXCHANGER ASSY (M10, M11)
71	20162903	PRIMARY LIMIT - BLUE (M8, M9, M14, M15)
71	0130F00036	PRIMARY LIMIT - PINK (M12, M13)
71	0130F00035	PRIMARY LIMIT - PURPLE 220° (M1, M2)
71	20162906	PRIMARY LIMIT - WHITE (M3, M4, M5, M6, M7, M10, M11)
81	4028000	ORIFICE SHIELD 2 CELL (M1, M2)
81	4028001	ORIFICE SHIELD 3 CELL (M3, M4, M5, M6)
81	4028002	ORIFICE SHIELD 4 CELL (M7, M8, M9, M10, M11)
81	4028003	ORIFICE SHIELD 5 CELL (M12, M13)
81	4028004	ORIFICE SHIELD 6 CELL (M14, M15)
91	0121F00146	BURNER BOX SIDE (QTY 2)
101	B4022700	INSHOT BURNER ASSY 3" (QTY AR)
111	0121F00167	BURNER BRACKET 2B (M1, M2)
111	0121F00168	BURNER BRACKET 3B (M3, M4, M5, M6)
111	0121F00169	BURNER BRACKET 4B (M7, M8, M9, M10, M11)
111	0121F00170	BURNER BRACKET 5B (M12, M13)
111	0121F00171	BURNER BRACKET 6B (M14, M15)
121	10716003	ORIFICE (QTY AR)
131	0120F00006	MANIFOLD (M1, M2)
131	0120F00007	MANIFOLD (M3, M4)
131	0120F00008	MANIFOLD (M7, M8, M9)
131	0120F00009	MANIFOLD (M12, M13)
131	0120F00010	MANIFOLD (M14, M15)
131	0120F00017	MANIFOLD (M5, M6)
131	0120F00018	MANIFOLD (M10, M11)
141	0151M00014	GAS VALVE - HONEYWELL 2-STAGE
151	0121F00162	BURNER BOX TOP 2 CELL (M1, M2)
151	0121F00163	BURNER BOX TOP 3 CELL (M3, M4, M5, M6)
151	0121F00164	BURNER BOX TOP 4 CELL (M7, M8, M9, M10, M11)
151	0121F00165	BURNER BOX TOP 5 CELL (M12, M13)
151	0121F00166	BURNER BOX TOP 6 CELL (M14, M15)
161	10123529	MANUAL RESET LIMIT (QTY 2)
171	0130F00008	SINI IGNITOR
181	0130F00010	FLAME SENSOR

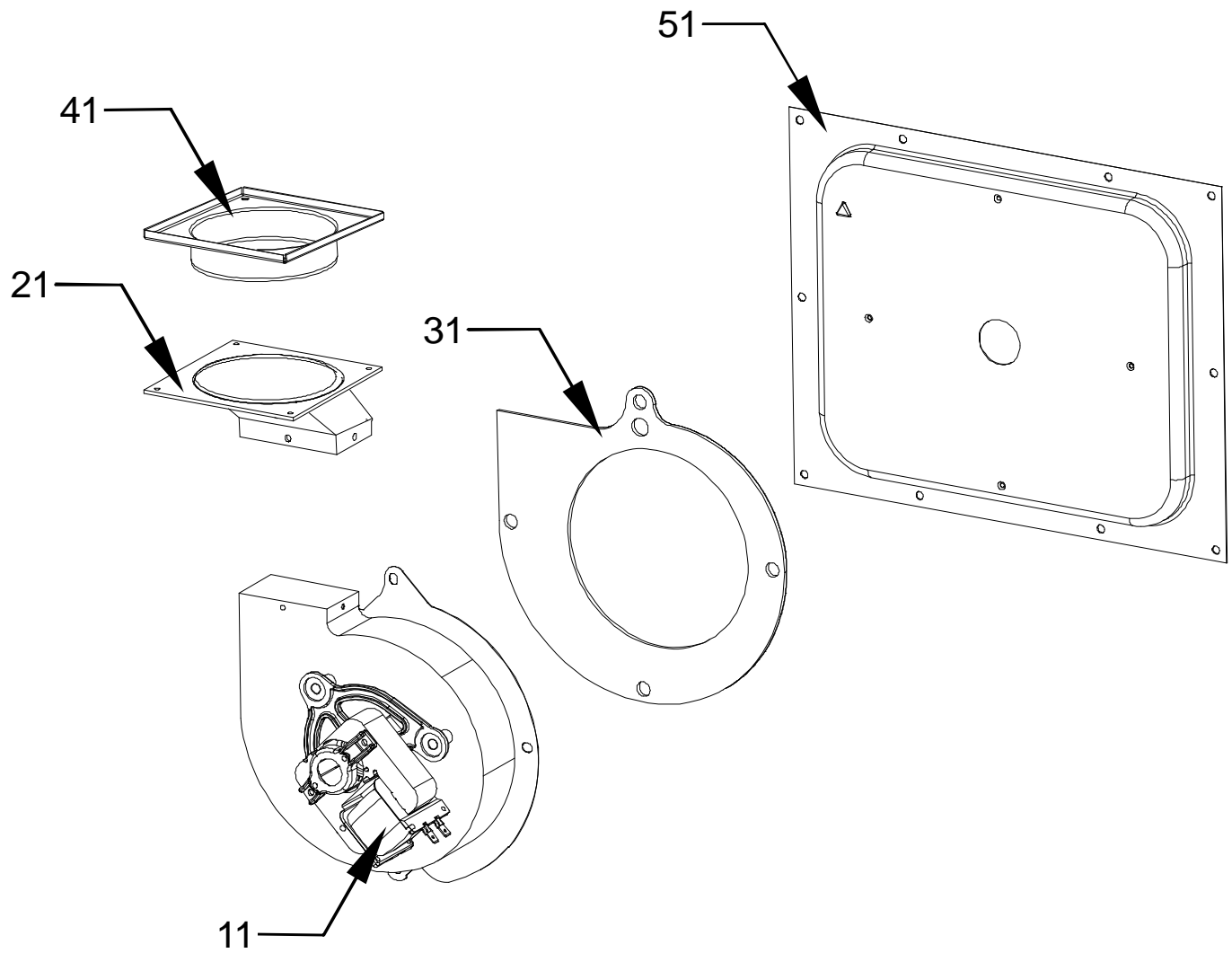
Image 2:

12	0259M00004	WIRE HARNESS, ADAPTOR
----	------------	-----------------------

Expanded Model Nomenclature

M1 - GMH80453ANCC
M2 - GMH80453AXCC
M3 - GMH80703ANCC
M4 - GMH80703AXCC
M5 - GMH80704BNCC
M6 - GMH80704BXCC
M7 - GMH80903BNCC
M8 - GMH80904BNCC
M9 - GMH80904BXCC
M10 - GMH80905CNCC
M11 - GMH80905CXCC
M12 - GMH81155CNCC
M13 - GMH81155CXCC
M14 - GMH81405DNCC
M15 - GMH81405DXCC

Collector Box Assembly



Collector Box Assembly

Ref. Part No: No:	Description:	Ref. Part No: No:	Description:
-------------------	--------------	-------------------	--------------

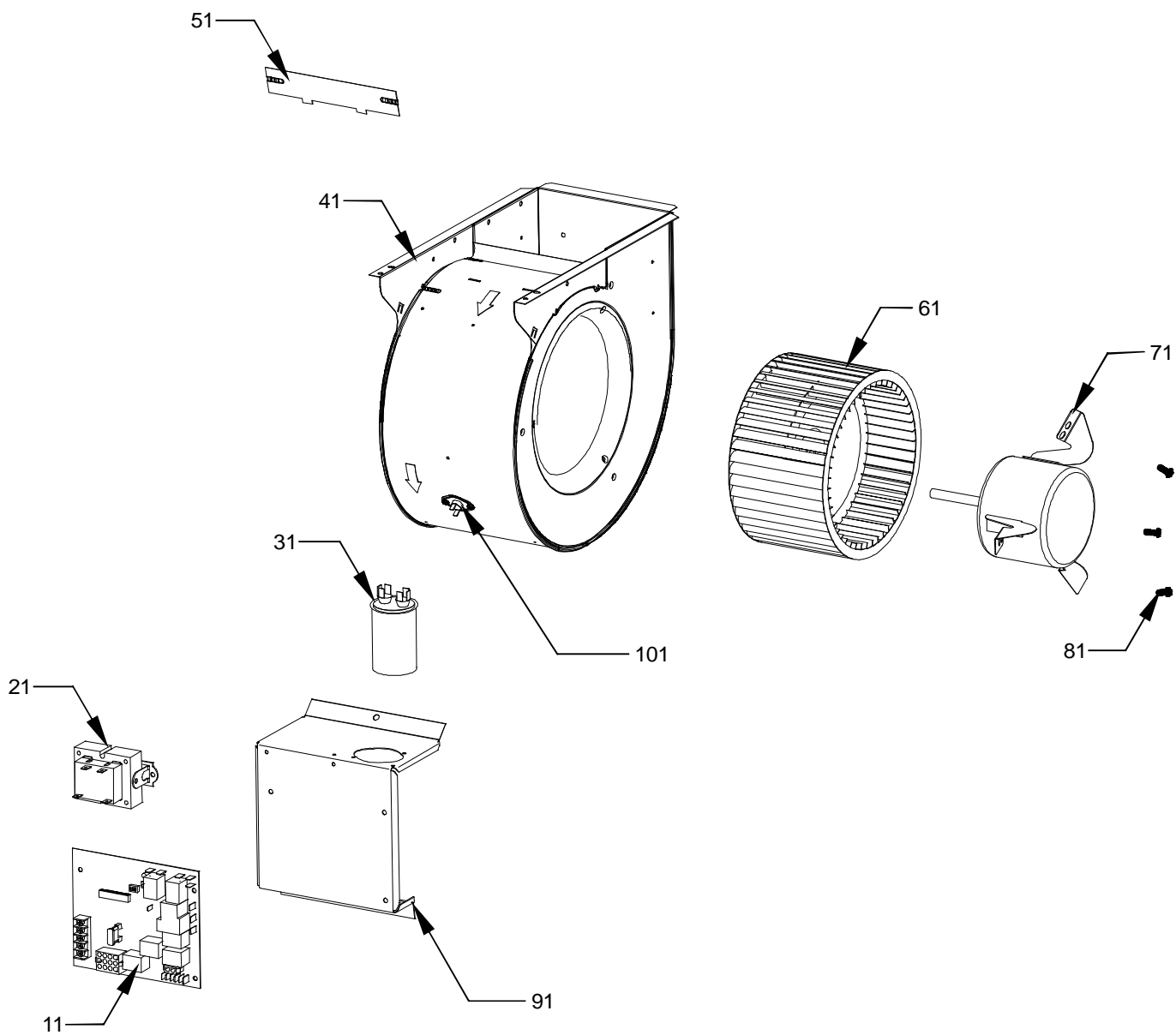
Image 1:

11	0131M00002S	VENT MOTOR
21	0128F00006	CHIMNEY TRANSITION BOTTOM
31	0154F00003	VENT MOTOR GASKET 14" (M1, M2, M3, M4)
31	0154F00004	VENT MOTOR GASKET 17.5" (M5, M6, M7, M8, M9)
31	0154F00005	VENT MOTOR GASKET 21" (M10, M11, M12, M13)
31	0154F00006	VENT MOTOR GASKET 24.5" (M14, M15)
41	4023500	CHIMNEY TRANSITION TOP
51	0121F00126	FLUE COLLECTOR BOX KIT 14" 1.25 DIA (M1, M2)
51	0121F00127	FLUE COLLECTOR BOX KIT 14" 2.0 DIA (M3, M4)
51	0121F00128	FLUE COLLECTOR BOX KIT 17.5" 1.75 DIA (M5, M6)
51	0121F00161	FLUE COLLECTOR BOX KIT 17.5" 2.0 DIA (M7, M8, M9)
51	0121F00130	FLUE COLLECTOR BOX KIT 21" 2.25 DIA (M10, M11, M12, M13)
51	0121F00131	FLUE COLLECTOR BOX KIT 24.5" 3.5 DIA (M14, M15)

Expanded Model Nomenclature

M1 - GMH80453ANCC
M2 - GMH80453AXCC
M3 - GMH80703ANCC
M4 - GMH80703AXCC
M5 - GMH80704BNCC
M6 - GMH80704BXCC
M7 - GMH80903BNCC
M8 - GMH80904BNCC
M9 - GMH80904BXCC
M10 - GMH80905CNCC
M11 - GMH80905CXCC
M12 - GMH81155CNCC
M13 - GMH81155CXCC
M14 - GMH81405DNCC
M15 - GMH81405DXCC

Blower and Control Panel



Blower and Control Panel

Ref. Part No:	No:	Description:	Ref. Part No:	No:	Description:
<i>Image 1:</i>					
11	PCBBF122	IGNITION BOARD, HSI INTEGRATED 2-STG			
21	B1141605	TRANSFORMER 120V TO 24V, 40 VA			
31	CAP125000370RP	CAPACITOR 12.5/370V (M1, M2, M3, M4, M7)			
31	CAP200000440RP	CAPACITOR 20/370V (M5, M6, M8, M9, M10, M11, M12, M13)			
31	CAP250000370RP	CAPACITOR 25/370V (M14, M15)			
41	2539307	BLOWER HOUSING 10 X 10 (M10, M11, M12, M13, M14, M15)			
41	2539305	BLOWER HOUSING 10 X 6 (M1, M2, M3, M4)			
41	2539306	BLOWER HOUSING 10 X 8 (M5, M6, M7, M8, M9)			
51	764741F	BLOWER BLOCK-OFF 10 X 10 (M10, M11, M12, M13, M14, M15)			
51	764740F	BLOWER BLOCK-OFF 10 X 8 (M5, M6, M7, M8, M9)			
51	764739	BLOWER CUT-OFF 10 X 6 (M1, M2, M3, M4)			
61	D6723311	BLOWER WHEEL (M14, M15)			
61	B1368047	BLOWER WHEEL 10 X 10 (M10, M11, M12, M13)			
61	B1368034	BLOWER WHEEL 10 X 6 (M1, M2, M3, M4)			
61	B1368016	BLOWER WHEEL 10 X 8 (M5, M6, M8, M9)			
61	B1368058	BLOWER WHEEL 10 X 8 (M7)			
71	0131F00022	BLOWER MOTOR 1/2 HP, 4 SP, 6 PL (M5, M6, M8, M9, M10, M11, M12, M13)			
71	0131F00020	BLOWER MOTOR 1/3 HP, 4 SP, 6 PL (M7)			
71	0131F00021	BLOWER MOTOR 1/3HP, 4SP, 6PL (M1, M2, M3, M4)			
71	20046618	BLOWER MOTOR 3/4 HP (M14, M15)			
81	M0250558	TC SCREW (QTY 3)			
91	1815817	CONTROL MOUNT PANEL			
101	0130F00038	PRIMARY LIMIT - LT BLUE 120°			

Expanded Model Nomenclature

M1 - GMH80453ANCC
M2 - GMH80453AXCC
M3 - GMH80703ANCC
M4 - GMH80703AXCC
M5 - GMH80704BNCC
M6 - GMH80704BXCC
M7 - GMH80903BNCC
M8 - GMH80904BNCC
M9 - GMH80904BXCC
M10 - GMH80905CNCC
M11 - GMH80905CXCC
M12 - GMH81155CNCC
M13 - GMH81155CXCC
M14 - GMH81405DNCC
M15 - GMH81405DXCC