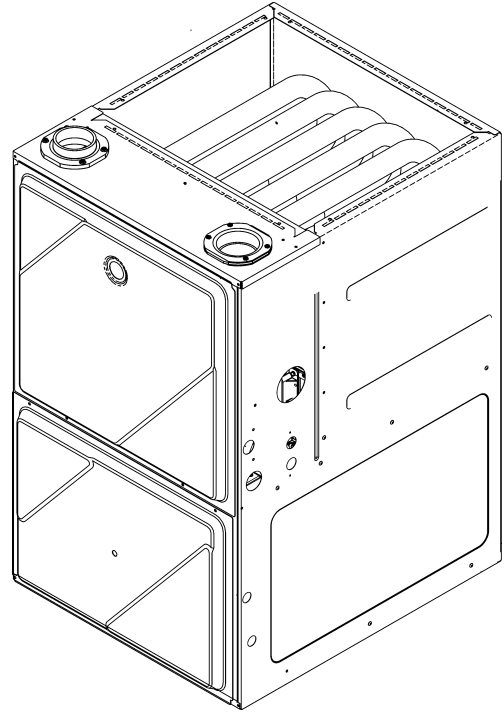

GMEC 96% Multi-Speed ECM Up Flow Furnace

GMEC960302BNAC
GMEC960303ANAA
GMEC960402BNAC
GMEC960403ANAA
GMEC960603ANAA
GMEC960603BNAC
GMEC960803BNAC
GMEC960804CNAB
GMEC960804CNAC
GMEC961004CNAC
GMEC961005CNAB
GMEC961005CNAC
GMEC961205DNAC



This manual is to be used by qualified technicians only.

This manual replaces RP-G2300B.

© 2016 - 2017, 2020 Goodman Manufacturing Company, L.P. ♦ 5151 San Felipe St, Suite 500 ♦ Houston, TX 77056

Important Information

Index

Functional Parts List	3
Illustration and Parts	4 - 11

Views shown are for parts illustrations only, not servicing procedures

Text Codes:

AR - As Required

NA - Not Available

NS - Not Shown

00000000 - See Note

QTY - Quantity Example (QTY 3) (If Quantity not shown, Quantity = 1)

M - Model Example (M1) (If M Code not shown, then part is used on all Models)

Expanded Model Nomenclature:

Example M1 - Model#1 M2 - Model#2 M3 - Model#3

Goodman Manufacturing Company, L.P. is not responsible for personal injury or property damage resulting from improper service. Review all service information before beginning repairs.

Warranty service must be performed by an authorized technician, using authorized factory parts. If service is required after the warranty expires, Goodman Manufacturing Company, L.P. also recommends contacting an authorized technician and using authorized factory parts.

Goodman Manufacturing Company, L.P. reserves the right to discontinue, or change at any time, specifications or designs without notice or without incurring obligations.

For assistance within the U.S.A. contact:
Homeowner Support
Goodman Manufacturing Company, L.P.
19001 Kermier Road
Waller, Texas 77484
877-254-4729-Telephone
713-863-2382-Facsimile

For assistance outside the U.S.A. contact:
International Division
Goodman Manufacturing Company, L.P.
19001 Kermier Road
Waller, Texas 77484
713-861-2500-Telephone
713-863-2382-Facsimile

Functional Parts

Part

No: Description:

Part No:	Description:	Part No:	Description:
20162904	*PRIMARY LIMIT-TEMPERATURE CONTROL (M1, M3, M6, M7, M8, M9)	0130F00435	SWITCH, PRESSURE (M6)
0130F00038	AUX LIMIT - LT BLUE 120° (QTY 2)	0130F00485	SWITCH, PRESSURE (M1, M3)
0163F00017	BECKETT BURNER (QTY 2)	0130F00647	SWITCH, PRESSURE (M2, M4)
0271F00163	BLOWER SHELL & WHEEL ASSY (M13)	0130F00433	SWITCH, PRESSURE (M3)
0271F00161	BLOWER SHELL & WHEEL ASSY (M8, M9, M10, M11, M12)	0130F00644	SWITCH, PRESSURE (M4)
0271F00159	BLOWER SHELL & WHEEL ASSY (M6, M7)	0130F00643	SWITCH, PRESSURE (M2)
0130F00010	FLAME SENSOR	0130F00645	SWITCH, PRESSURE (M5)
0151M00027	GAS VALVE	0130F00436	SWITCH, PRESSURE (M7)
0257F00384	HEAT EXCHANGER ASSY (M3)	0130F00443	SWITCH, PRESSURE (M8, M9, M11, M12)
0257F00379	HEAT EXCHANGER ASSY (M7)	0130F00445	SWITCH, PRESSURE (M13)
0257F00374	HEAT EXCHANGER ASSY (M6)	0130F00434	SWITCH, PRESSURE (M1, M10)
0257F00333	HEAT EXCHANGER ASSY (M13)	0130M00140	TRANSFORMER 120V TO 24V, 40VA
0257F00240	HEAT EXCHANGER ASSY (M8, M9)	0150M00043	WHEEL, BLOWER (10 X 8) (M1, M3)
0257F00396	HEAT EXCHANGER ASSY (M11, M12)		
0257F00445	HEAT EXCHANGER ASSY (M5)		
0257F00393	HEAT EXCHANGER ASSY (M10)		
0257F00442	HEAT EXCHANGER ASSY (M4)		
0257F00387	HEAT EXCHANGER ASSY. (M1)		
0257F00444	HEAT EXCHANGER ASSY. (M2)		
0171M00007	ID BLOWER, 2 Stg (M2, M4, M5)		
0130F00008	IGNITOR-SINI 17 SEC		
0130M00243	INTERLOCK SWITCH		
10123534	MANUAL RESET R.O.S. LIMIT (M10, M11, M12)		
10123517	MANUAL RESET R.O.S. LIMIT (M5)		
10123533	MANUAL RESET R.O.S. LIMIT (M1)		
10123538	MANUAL RESET R.O.S. LIMIT (M2, M4)		
10123539	MANUAL RESET R.O.S. LIMIT (M3, M6, M8, M9)		
0130F00123	MANUAL RESET R.O.S. LIMIT (M7)		
10123527	MANUAL RESET R.O.S. LIMIT (M13)		
0131F00051	MOTOR, BLOWER (M5)		
0131F00052	MOTOR, BLOWER (M4)		
0131F00036	MOTOR, BLOWER (M10)		
0131F00037	MOTOR, BLOWER (M13)		
0131F00032	MOTOR, BLOWER (M1)		
0131F00034	MOTOR, BLOWER (M6)		
0131F00050	MOTOR, BLOWER (M2)		
0131F00033	MOTOR, BLOWER (M3)		
0131F00035	MOTOR, BLOWER (M7)		
0131F00040	MOTOR,BLOWER (M11, M12)		
0131F00039	MOTOR,BLOWER (M8, M9)		
0171M00002	MOTOR-ID, BLOWER (M1, M3, M6, M7, M8, M9, M10, M11, M12, M13)		
PCBBF137	PCB IGNITION HSI INTEG (M8, M11)		
PCBBF139	PCB, IGNITION CONTROL (M1, M2, M3, M4, M5, M6, M7, M9, M10, M12, M13)		
0130F00429	PRESSURE SWITCH (M6, M7, M8, M9, M10, M11, M12, M13)		
0130F00646	PRESSURE SWITCH (M5)		
20162903	PRIMARY LIMIT - BLUE (M2, M4, M5, M11, M12)		
0130F00036	PRIMARY LIMIT - PINK 180° (M13)		
20162906	PRIMARY LIMIT - WHITE (M10)		

SPECIAL PARTS

0161F00000P GOODMAN NAMEPLATE

Expanded Model Nomenclature

M1 - GMEC960302BNAC
M2 - GMEC960303ANAA
M3 - GMEC960402BNAC
M4 - GMEC960403ANAA
M5 - GMEC960603ANAA
M6 - GMEC960603BNAC
M7 - GMEC960803BNAC
M8 - GMEC960804CNAB
M9 - GMEC960804CNAC
M10 - GMEC961004CNAC
M11 - GMEC961005CNAB
M12 - GMEC961005CNAC
M13 - GMEC961205DNAC

Cabinet Assembly

IMAGE 1

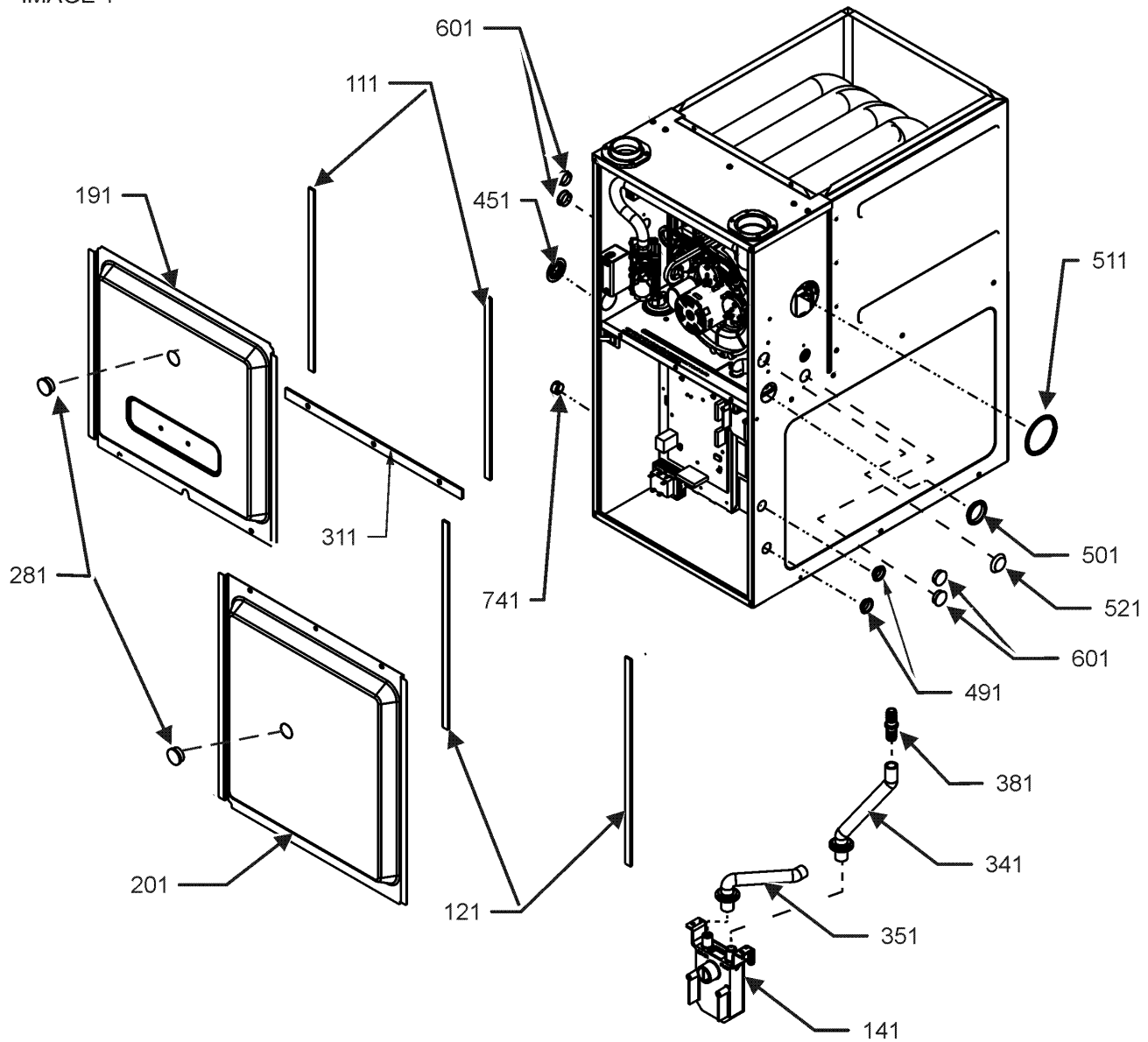
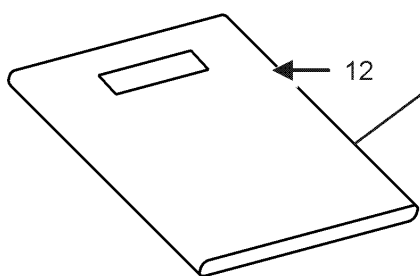
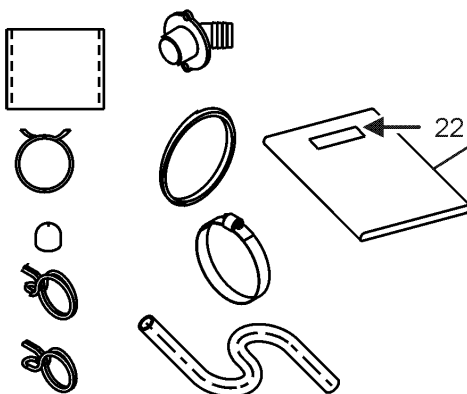


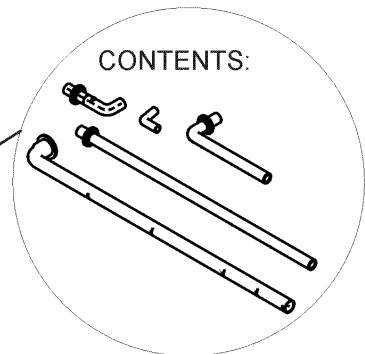
IMAGE 2



CONTENTS:



CONTENTS:



Cabinet Assembly

Ref. Part No:	Part No:	Description:	Ref. Part No:	Part No:	Description:
---------------	----------	--------------	---------------	----------	--------------

Image 1:

111	0154F00024	GASKET (QTY 2)
121	0154F00025	GASKET (QTY 2)
141	0161F00046	DRAIN TRAP
191	0121F00291DG	DOOR, ACCESS 17.5 PNT (M1, M3, M6, M7)
191	0121F00292DG	DOOR, ACCESS 21 PNT (M8, M9, M10, M11, M12)
191	0121F00293DG	DOOR, ACCESS 24.5 PNT (M13)
191	0121F00674DG	PNT, DOOR, ACCESS 14" (M2, M4, M5)
201	0121F00288DG	DOOR, BLOWER 17.5 PNT (M1, M3, M6, M7)
201	0121F00289DG	DOOR, BLOWER 21" PNT (M8, M9, M10, M11, M12)
201	0121F00290DG	DOOR, BLOWER 24.5 PNT (M13)
201	0121F00672DG	PNT, DOOR, BLOWER 14" (M2, M4, M5)
281	B1392139	VIEW PORT BUSHING-BLOWER DOOR (QTY 2)
311	0154F00020	GASKET, DECK (M1, M3, M6, M7)
311	0154F00021	GASKET, DECK (M8, M9, M10, M11, M12)
311	0154F00022	GASKET, DECK (M13)
311	0154F00063	GASKET, DECK (M2, M4, M5)
341	0164F00017	HOSE-ELBOW/TRAP
351	0164F00020	DRAIN HOSE (M2, M4, M5)
351	0164F00006	HOSE, COVER/TRAP (M1, M3, M6, M7, M8, M9, M10, M11, M12, M13)
381	0161F00047	COUPLING, HOSE BARBED
451	M0501301	PIPE GROMMET
491	M0570808	BUTTON PLUG (QTY 3)
501	M0570806	BUTTON PLUG
511	M0570807	BUTTON PLUG
521	0161M00027	PLUG, HOLE
601	B1392021	PLASTIC PLUG, 1" (2713-BLK) (QTY 4)
741	B1392104	UNIVERSAL BUSHING UB 875
NS	M0310345	BUTTON PLUG (QTY 2)
NS	0161F00000P	GOODMAN NAMEPLATE
NS	M0209730	SCREW-DECORATIVE (QTY 3)

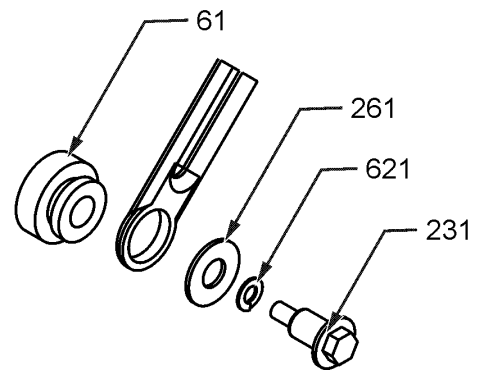
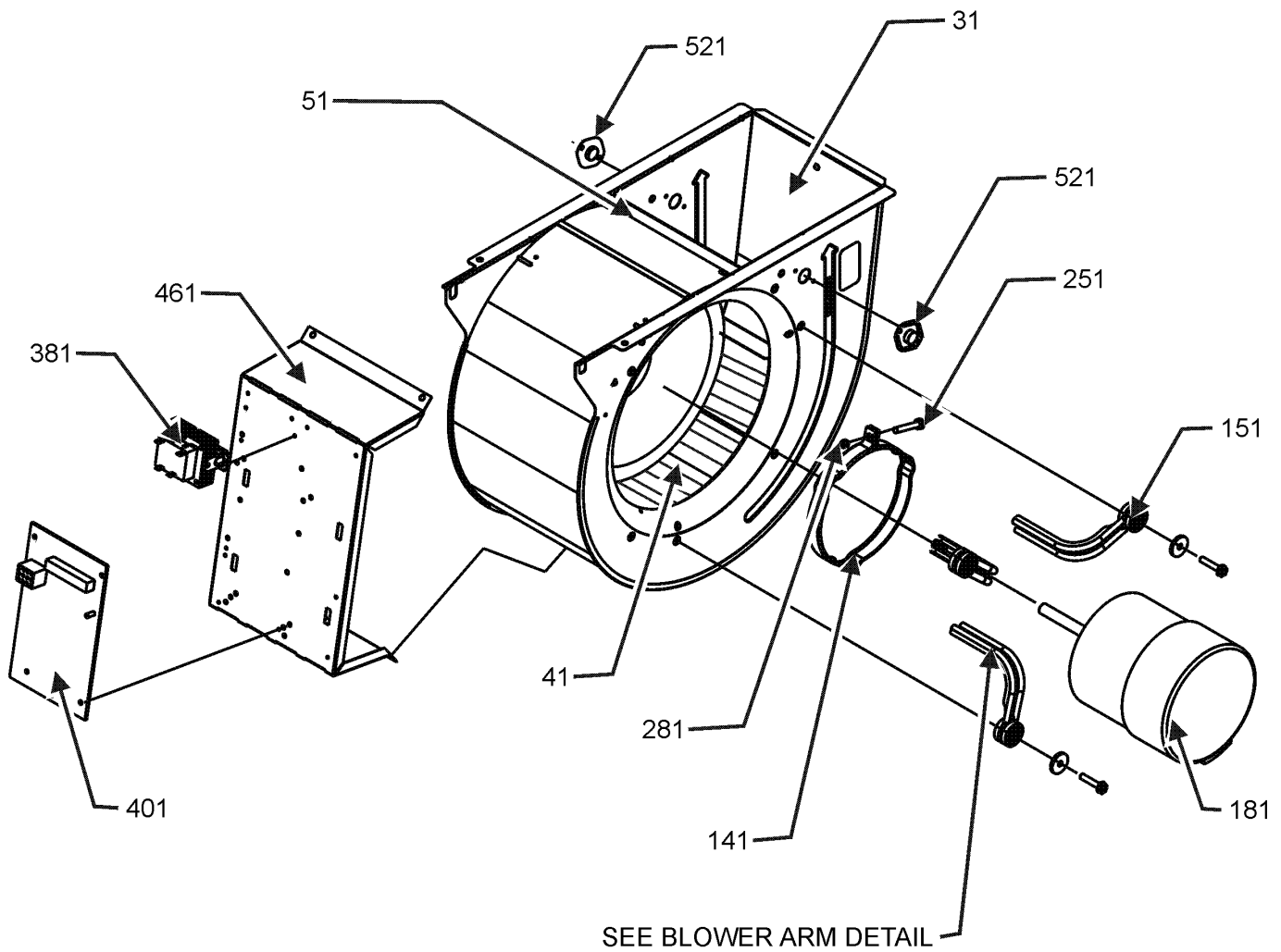
Image 2:

12	0270F03140	DRAIN PART BAG ASSY UF
22	0270F03667	BAG ASSY UF

Expanded Model Nomenclature

M1 - GMEC960302BNAC
M2 - GMEC960303ANAA
M3 - GMEC960402BNAC
M4 - GMEC960403ANAA
M5 - GMEC960603ANAA
M6 - GMEC960603BNAC
M7 - GMEC960803BNAC
M8 - GMEC960804CNAB
M9 - GMEC960804CNAC
M10 - GMEC961004CNAC
M11 - GMEC961005CNAB
M12 - GMEC961005CNAC
M13 - GMEC961205DNAC

Blower Assembly



BLOWER ARM DETAIL

BLOWER ASSEMBLY MAY DIFFER FROM WHAT IS SHOWN

Blower Assembly

**Ref. Part
No: No:**

Description:

**Ref. Part
No: No:**

Description:

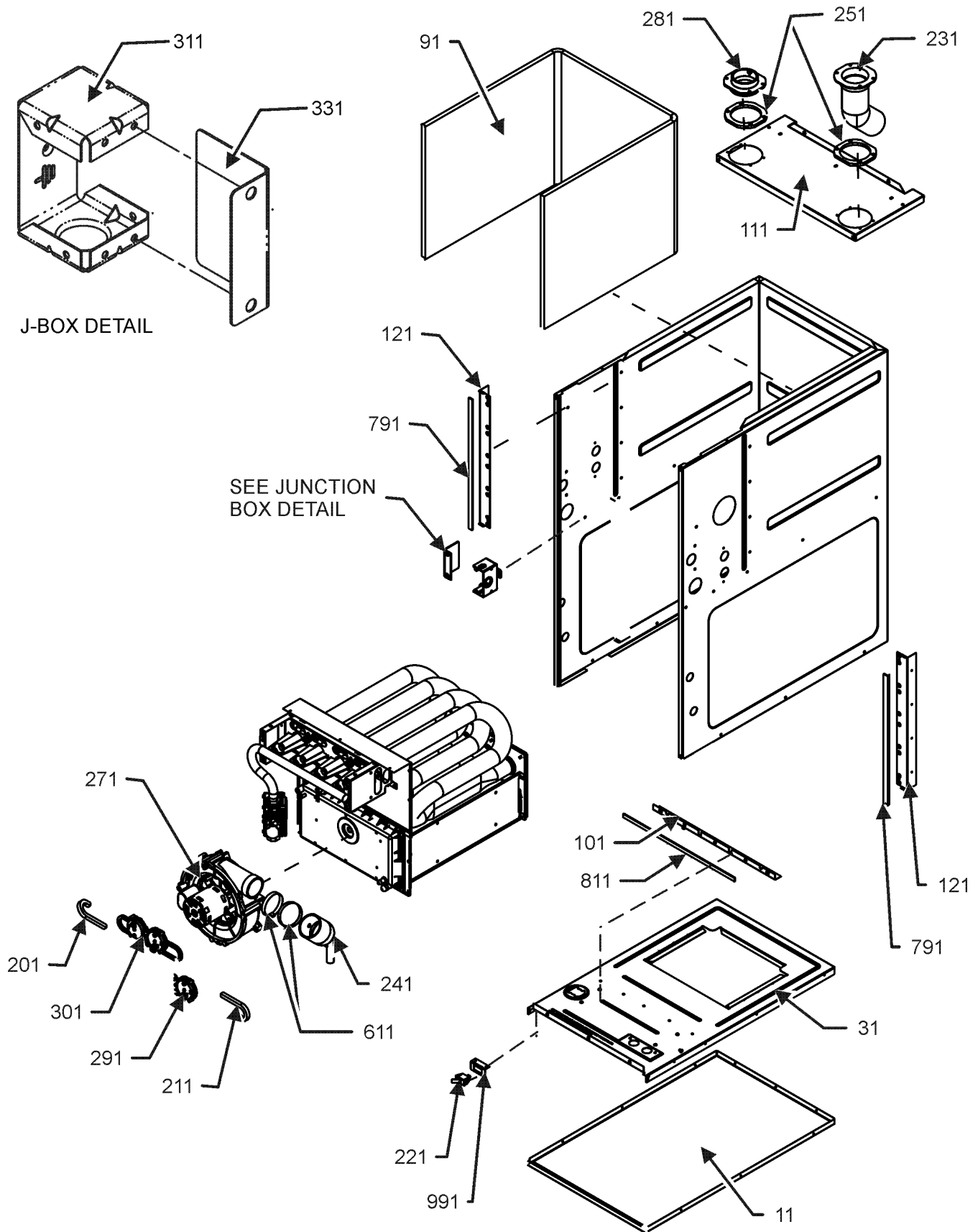
Image 1:

31	0271F00181	BLOWER HSG ASSY (M1, M3)
31	0271F00159	BLOWER SHELL & WHEEL ASSY (M6, M7)
31	0271F00161	BLOWER SHELL & WHEEL ASSY (M8, M9, M10, M11, M12)
31	0271F00163	BLOWER SHELL & WHEEL ASSY (M13)
31	0271F00322	BLOWER SHELL & WHEEL ASSY (M2, M4, M5)
41	0150M00043	WHEEL, BLOWER (10 X 8) (M1, M3)
51	764740	BLOWER BLOCK-OFF 10 X 8 (M1, M3)
61	A4002702	BLOWER MOTOR GROMMET (M8, M9, M10, M11, M12, M13)
141	0121M00038	MOTOR MOUNT BAND (M1, M2, M3, M4, M5, M6, M7)
141	10441601	MOTOR MOUNT BAND (M8, M9, M10, M11, M12, M13)
151	10441501	MOTOR MOUNT ARM (M8, M9, M10, M11, M12, M13)
151	B1376857	MOTOR MOUNT ARM (M1, M2, M3, M4, M5, M6, M7)
181	0131F00032	MOTOR, BLOWER (M1)
181	0131F00033	MOTOR, BLOWER (M3)
181	0131F00034	MOTOR, BLOWER (M6)
181	0131F00035	MOTOR, BLOWER (M7)
181	0131F00036	MOTOR, BLOWER (M10)
181	0131F00037	MOTOR, BLOWER (M13)
181	0131F00050	MOTOR, BLOWER (M2)
181	0131F00051	MOTOR, BLOWER (M5)
181	0131F00052	MOTOR, BLOWER (M4)
181	0131F00039	MOTOR, BLOWER (M8, M9)
181	0131F00040	MOTOR, BLOWER (M11, M12)
231	0163F00028	SCREW (M8, M9, M10, M11, M12, M13)
231	M0250565	TC SCREW 1.25" (M1, M2, M3, M4, M5, M6, M7)
251	M0267144	MACHINE SCREW (M8, M9, M10, M11, M12, M13)
251	B1393323	MACHINE SCREW HWH 1/4-20 X 1-1/2 BZ (M1, M2, M3, M4, M5, M6, M7)
261	B1392918	WASHER, FLAT 1/4 ID X 1 OD (M1, M2, M3, M4, M5, M6, M7)
261	M0274008	WASHER-FLAT (M8, M9, M10, M11, M12, M13)
281	M0282015	KEPS NUT (M8, M9, M10, M11, M12, M13)
281	B1393800	LOCKNUT, NYLON, INSERT 1/4, 20 (M1, M2, M3, M4, M5, M6, M7)
381	0130M00140	TRANSFORMER 120V TO 24V, 40VA
401	PCBBF137	PCB IGNITION HSI INTEG (M8, M11)
401	PCBBF139	PCB, IGNITION CONTROL (M1, M2, M3, M4, M5, M6, M7, M9, M10, M12, M13)
461	0121F00464	MOUNTING PLATE-CONTROLS
521	0130F00038	AUX LIMIT - LT BLUE 120° (QTY 2)
621	B1392820	WASHER, SPLIT LOCK 1/4 BZ (M8, M9, M10, M11, M12, M13)
NS	B1392021	PLASTIC PLUG, 1" (2713-BLK) (QTY 4)
NS	0159F00076	WIRE HARNESS (M1, M2, M3, M4, M5, M6, M7, M9, M10, M12, M13)
NS	0259F00024	WIRE HARNESS-BLOWER

Expanded Model Nomenclature

M1 - GMEC960302BNAC
M2 - GMEC960303ANAA
M3 - GMEC960402BNAC
M4 - GMEC960403ANAA
M5 - GMEC960603ANAA
M6 - GMEC960603BNAC
M7 - GMEC960803BNAC
M8 - GMEC960804CNAB
M9 - GMEC960804CNAC
M10 - GMEC961004CNAC
M11 - GMEC961005CNAB
M12 - GMEC961005CNAC
M13 - GMEC961205DNAC

Chassis Assembly



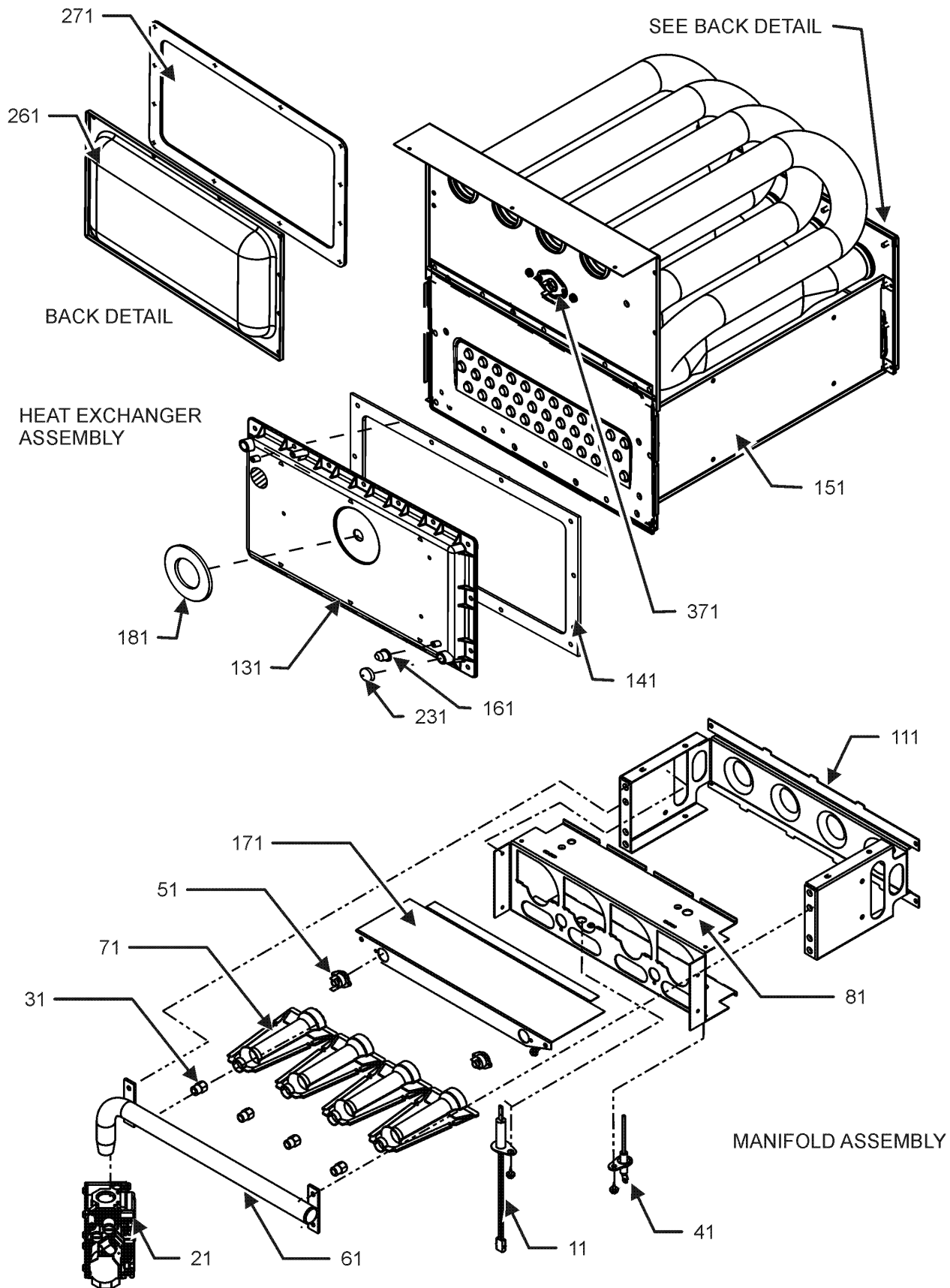
Chassis Assembly

Ref. Part No:	Ref. Part No:	Description:	Description:
Image 1:		Image 1:	
11	0121F00530DG	BASEPAN, 17.5 (M1, M3, M6, M7)	991 0121F00389 BRACKET, DOOR SWITCH
11	0121F00531DG	BASEPAN, 21 PNT (M8, M9, M10, M11, M12)	NS 0159F00034 HARNESS-WIRING (M8, M11)
11	0121F00532DG	BASEPAN, 24.5 PNT (M13)	NS 0159F00035 HARNESS-WIRING (M8, M11)
11	0121F00664DG	BASEPAN, 14 PNT (M2, M4, M5)	NS 0159F00068 HARNESS-WIRING
31	0121F00663	DECK, BLOWER 14" (M2, M4, M5)	NS 0159F00076 HARNESS-WIRING (M1, M2, M3, M4, M5, M6, M7, M9, M10, M12, M13)
31	0121F00533	DECK-BLOWER 17.5" (M1, M3, M6, M7)	NS M0326804 PLUG-TUBE
31	0121F00534	DECK-BLOWER 21" (M8, M9, M10, M11, M12)	NS 0164M00002 PRESSURE SWITCH HOSE (QTY 2)
31	0121F00535	DECK-BLOWER 24.5" (M13)	
91	0160F00025	INSULATION, HT EXCHANGER (M2, M4, M5)	
91	0160F00015	INSULATION, HT EXCHANGER 17.5" (M1, M3, M6, M7)	
91	0160F00016	INSULATION, HT EXCHANGER 21" (M8, M9, M10, M11, M12)	
91	0160F00017	INSULATION, HT EXCHANGER 24.5" (M13)	
101	0121F00314	ANGLE, DECK (M1, M3, M6, M7)	
101	0121F00315	ANGLE, DECK (M8, M9, M10, M11, M12)	
101	0121F00316	ANGLE, DECK (M13)	
101	0121F00661	ANGLE, DECK (M2, M4, M5)	
111	0121F00279DG	PAINTED TOP, FURNACE 17.5 (M1, M3, M6, M7)	
111	0121F00280DG	PAINTED TOP, FURNACE 21 (M8, M9, M10, M11, M12)	
111	0121F00281DG	PAINTED TOP, FURNACE 24.5 (M13)	
111	0121F00662DG	PNT, FURNACE TOP 14" (M2, M4, M5)	
121	0121F00313	ANGLE, SIDE (QTY 2)	
201	0164M00019	HOSE-PRESSURE SW 6" (QTY 2)	
211	0164M00010	HOSE-PRESSURE SW (M2, M4, M5)	
221	0130M00243	INTERLOCK SWITCH	
231	0164F00002	FLUE PIPE W/BEND	
241	0164F00001	ELBOW-FLUE, UPFLOW	
251	0154F00041	FRESH AIR GASKET (QTY 2)	
271	0171M00007	ID BLOWER, 2 Stg (M2, M4, M5)	
271	0171M00002	MOTOR-ID, BLOWER (M1, M3, M6, M7, M8, M9, M10, M11, M12, M13)	
281	0161F00037	COUPLING	
291	0130F00429	PRESSURE SWITCH (M6, M7, M8, M9, M10, M11, M12, M13)	
291	0130F00646	PRESSURE SWITCH (M5)	
291	0130F00485	SWITCH, PRESSURE (M1, M3)	
291	0130F00647	SWITCH, PRESSURE (M2, M4)	
301	0130F00433	SWITCH, PRESSURE (M3)	
301	0130F00434	SWITCH, PRESSURE (M1, M10)	
301	0130F00435	SWITCH, PRESSURE (M6)	
301	0130F00436	SWITCH, PRESSURE (M7)	
301	0130F00443	SWITCH, PRESSURE (M8, M9, M11, M12)	
301	0130F00445	SWITCH, PRESSURE (M13)	
301	0130F00643	SWITCH, PRESSURE (M2)	
301	0130F00644	SWITCH, PRESSURE (M4)	
301	0130F00645	SWITCH, PRESSURE (M5)	
311	0161F00042	JUNCTION BOX PLA	
331	0161F00043	JUNCTION BOX LID	
611	0163M00049	CLAMP HOSE (QTY 2)	
791	0154F00015	GASKET (QTY 2)	
811	0154F00014	GASKET (M1, M3, M6, M7)	
811	0154F00016	GASKET (M8, M9, M10, M11, M12)	
811	0154F00074	GASKET (M2, M4, M5)	
811	20194607	GASKET (M13)	

Expanded Model Nomenclature

M1 - GMEC960302BNAC
M2 - GMEC960303ANAA
M3 - GMEC960402BNAC
M4 - GMEC960403ANAA
M5 - GMEC960603ANAA
M6 - GMEC960603BNAC
M7 - GMEC960803BNAC
M8 - GMEC960804CNAB
M9 - GMEC960804CNAC
M10 - GMEC961004CNAC
M11 - GMEC961005CNAB
M12 - GMEC961005CNAC
M13 - GMEC961205DNAC

Heat Exchanger / Manifold Assembly



Heat Exchanger / Manifold Assembly

Ref. Part No:	Ref. Part No:	Description:	Description:
Image 1:		Image 1:	
11	0130F00008	IGNITOR-SINI 17 SEC	151 0257F00445 HEAT EXCHANGER ASSY (M5)
21	0151M00027	GAS VALVE	151 0257F00387 HEAT EXCHANGER ASSY. (M1)
31	0163F00019	ORIFICE (M1, M2)	151 0257F00444 HEAT EXCHANGER ASSY. (M2)
31	10716005	ORIFICE (M3, M4, M5, M6, M7, M8, M9, M10, M11, M12, M13)	161 M0326804 TUBE PLUG
41	0130F00010	FLAME SENSOR	171 0121F00539 SHEILD, BURNER (M1, M2, M3, M4)
51	0130F00123	MANUAL RESET R.O.S. LIMIT (M7)	171 0121F00540 SHEILD, BURNER (M5, M6)
51	10123517	MANUAL RESET R.O.S. LIMIT (M5)	171 0121F00541 SHEILD, BURNER (M7, M8, M9)
51	10123527	MANUAL RESET R.O.S. LIMIT (M13)	171 0121F00542 SHEILD, BURNER (M10, M11, M12)
51	10123533	MANUAL RESET R.O.S. LIMIT (M1)	171 0121F00543 SHEILD, BURNER (M13)
51	10123534	MANUAL RESET R.O.S. LIMIT (M10, M11, M12)	181 0154F00043 GASKET ID BLOWER
51	10123538	MANUAL RESET R.O.S. LIMIT (M2, M4)	231 A1781105 CAP-VINYL .500
51	10123539	MANUAL RESET R.O.S. LIMIT (M3, M6, M8, M9)	261 0121F00317 COVER, REAR (M1, M3, M6, M7)
61	0163F00007	MANIFOLD (M1, M2, M3, M4)	261 0121F00318 COVER, REAR (M8, M9, M10, M11, M12)
61	0163F00008	MANIFOLD (M6)	261 0121F00319 COVER, REAR (M13)
61	0163F00009	MANIFOLD (M8, M9)	261 0121F00670 COVER, REAR (M2, M4, M5)
61	0163F00010	MANIFOLD (M10, M11, M12)	271 0154F00058 GASKET REAR CVR (M2, M4, M5)
61	0163F00011	MANIFOLD (M13)	271 0154F00037 GASKET, REAR CVR (M1, M3, M6, M7)
61	0163F00014	MANIFOLD (M7)	271 0154F00038 GASKET, REAR CVR (M8, M9, M10, M11, M12)
71	0163F00017	BECKETT BURNER (QTY 2)	271 0154F00039 GASKET, REAR CVR (M13)
81	0121F00456	BRACKET-BURNER 2 (M1, M2, M3, M4)	371 20162904 *PRIMARY LIMIT-TEMPERATURE CONTROL (M1, M3, M6, M7, M8, M9)
81	0121F00455	BRACKET-BURNER 3 (M5, M6)	371 20162903 PRIMARY LIMIT - BLUE (M2, M4, M5, M11, M12)
81	0121F00454	BRACKET-BURNER 4 (M7, M8, M9)	371 0130F00036 PRIMARY LIMIT - PINK 180° (M13)
81	0121F00453	BRACKET-BURNER 5 (M10, M11, M12)	371 20162906 PRIMARY LIMIT - WHITE (M10)
81	0121F00451	BRACKET-BURNER 6 (M13)	NS 0121F00582 INSULATION, RETAINER (M2, M4, M5)
111	0121F00469	ORIFICE BRACKET-BURNER 2 (M1, M2, M3, M4)	NS 0121F00583 INSULATION, RETAINER (M1, M3, M6, M7)
111	0121F00468	ORIFICE BRACKET-BURNER 3 (M5, M6)	NS 0121F00584 INSULATION, RETAINER (M8, M9, M10, M11, M12)
111	0121F00467	ORIFICE BRACKET-BURNER 4 (M7, M8, M9)	NS 0121F00585 INSULATION, RETAINER (M13)
111	0121F00466	ORIFICE BRACKET-BURNER 5 (M10, M11, M12)	NS 0121F00439 PRIMARY LIMIT-HEAT SHIELD
111	0121F00465	ORIFICE BRACKET-BURNER 6 (M13)	NS 0121F00355 SHIELD, COIL (QTY 2)
131	0161F00072	COVER FRONT (M11, M12)	
131	0161F00015	COVER, FRONT (M3)	
131	0161F00024	COVER, FRONT (M7)	
131	0161F00030	COVER, FRONT (M8, M9)	
131	0161F00032	COVER, FRONT (M1)	
131	0161F00054	COVER, FRONT (M6)	
131	0161F00063	COVER, FRONT (M13)	
131	0161F00081	COVER, FRONT (M2)	
131	0161F00082	COVER, FRONT (M4)	
131	0161F00083	COVER, FRONT (M5)	
131	0161F00065	COVER,FRONT (M10)	
141	0154F00026	GASKET FRONT COVER (M1, M3, M6, M7)	
141	0154F00030	GASKET FRONT COVER (M8, M9, M10, M11, M12)	
141	0154F00034	GASKET FRONT COVER (M13)	
141	0154F00059	GASKET FRONT COVER	
141	0154F00059	GASKET FRONT COVER	
141	0154F00059	GASKET FRONT COVER	
141	0154F00062	GASKET FRONT COVER (M2, M4, M5)	
151	0257F00240	HEAT EXCHANGER ASSY (M8, M9)	
151	0257F00333	HEAT EXCHANGER ASSY (M13)	
151	0257F00374	HEAT EXCHANGER ASSY (M6)	
151	0257F00379	HEAT EXCHANGER ASSY (M7)	
151	0257F00384	HEAT EXCHANGER ASSY (M3)	
151	0257F00393	HEAT EXCHANGER ASSY (M10)	
151	0257F00396	HEAT EXCHANGER ASSY (M11, M12)	
151	0257F00442	HEAT EXCHANGER ASSY (M4)	
Expanded Model Nomenclature			
M1 - GMEC960302BNAC			
M2 - GMEC960303ANAA			
M3 - GMEC960402BNAC			
M4 - GMEC960403ANAA			
M5 - GMEC960603ANAA			
M6 - GMEC960603BNAC			
M7 - GMEC960803BNAC			
M8 - GMEC960804CNAB			
M9 - GMEC960804CNAC			
M10 - GMEC961004CNAC			
M11 - GMEC961005CNAB			
M12 - GMEC961005CNAC			
M13 - GMEC961205DNAC			