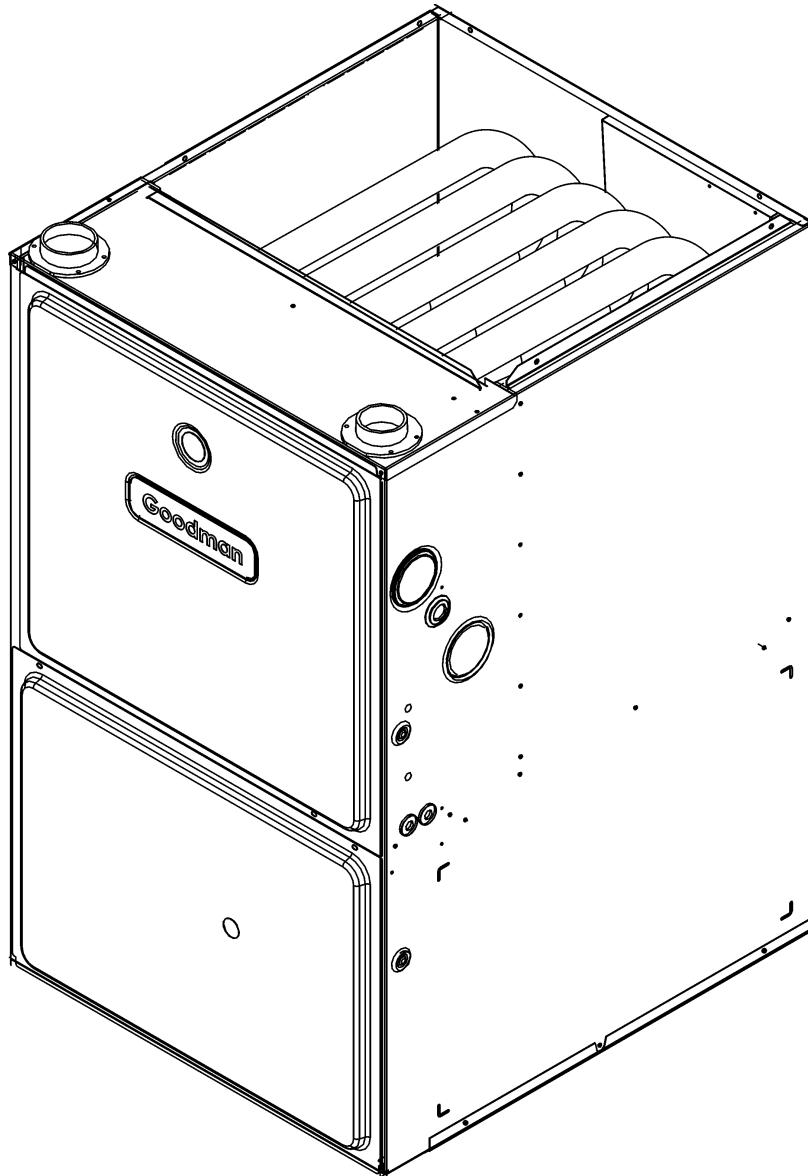


GME95 95% Upflow EEM Furnace

GME950403BXAA
GME950403BXAB
GME950603BXAA
GME950603BXAB
GME950805CXAA
GME950805CXAB
GME951005DXAA
GME951005DXAB



This manual is to be used by qualified technicians only.

This manual replaces RP-655.

© 2011, 2013 Goodman Manufacturing Company, L.P. ♦ 5151 San Felipe, Suite 500 ♦ Houston, TX 77056

Important Information

Index

Functional Parts List	3
Illustration and Parts	4 - 13

Views shown are for parts illustrations only, not servicing procedures

Text Codes:

AR - As Required

NA - Not Available

NS - Not Shown

00000000 - See Note

QTY - Quantity Example (QTY 3) (If Quantity not shown, Quantity = 1)

M - Model Example (M1) (If M Code not shown, then part is used on all Models)

Expanded Model Nomenclature:

Example M1 - Model#1 M2 - Model#2 M3 - Model#3

Goodman Manufacturing Company, L.P. is not responsible for personal injury or property damage resulting from improper service. Review all service information before beginning repairs.

Warranty service must be performed by an authorized technician, using authorized factory parts. If service is required after the warranty expires, Goodman Manufacturing Company, L.P. also recommends contacting an authorized technician and using authorized factory parts.

Goodman Manufacturing Company, L.P. reserves the right to discontinue, or change at any time, specifications or designs without notice or without incurring obligations.

For assistance within the U.S.A. contact:
Consumer Affairs Department
Goodman Manufacturing Company, L.P.
7401 Security Way
Houston, Texas 77040
877-254-4729-Telephone
713-863-2382-Facsimile

For assistance outside the U.S.A. contact:
International Division
Goodman Manufacturing Company, L.P.
7401 Security Way
Houston, Texas 77040
713-861-2500-Telephone
713-863-2382-Facsimile

Functional Parts

Part

No: Description:

D6723311	BLOWER WHEEL (M7, M8)
B1368047	BLOWER WHEEL 10 X 10 (M5, M6)
B1368058	BLOWER WHEEL 10 X 8 (M1, M2, M3, M4)
0130F00010	FLAME SENSOR
0270F01957	HEAT EXCHANGE ASSY (M1, M2)
0270F01956	HEAT EXCHANGE ASSY (M5, M6)
0270F01955	HEAT EXCHANGE ASSY (M3, M4)
0270F01958	HEAT EXCHANGE ASSY (M7, M8)
10123519	MANUAL RESET LIMIT (M7, M8)
10123517	MANUAL RESET LIMIT (M5, M6)
10123535	MANUAL RESET LIMIT-RED (M1, M2, M3, M4, M5, M6)
10123533	MANUAL RESET LIMIT-YELLOW (M1, M2, M3, M4, M7, M8)
0131M00286	MOTOR, 115V 1 HP, PROG (M5, M6)
0131M00287	MOTOR, 115V 1 HP,PROG (M7, M8)
0131M00285	MOTOR, 115V 1/2 HP, PROG (M3, M4)
0131M00284	MOTOR, 115V 1/2 HP, PROG (M1, M2)
PCBBF132	PCB 2STAGE HYBRID FURNACE CNTL
0130F00214	PRESSURE SWITCH (M1, M2)
0130F00110	PRESSURE SWITCH - GREEN (M3, M4, M5, M6, M7, M8)
20197308	PRESSURE SWITCH-YELLOW
0130M00063	PRIMARY LIMIT - GOLD 140° (M3, M4, M5, M6)
20162904	PRIMARY LIMIT-TEMPERATURE CONTROL (M1, M2, M7, M8)
B1141605	TRANSFORMER 120V TO 24V, 40 VA
0151M00028	VALVE,GAS(HW)VR92

SPECIAL PARTS

0161F00000P GOODMAN NAMEPLATE

Expanded Model Nomenclature

M1 - GME950403BXAA
M2 - GME950403BXAB
M3 - GME950603BXAA
M4 - GME950603BXAB
M5 - GME950805CXAA
M6 - GME950805CXAB
M7 - GME951005DXAA
M8 - GME951005DXAB

Cabinet

Image 1

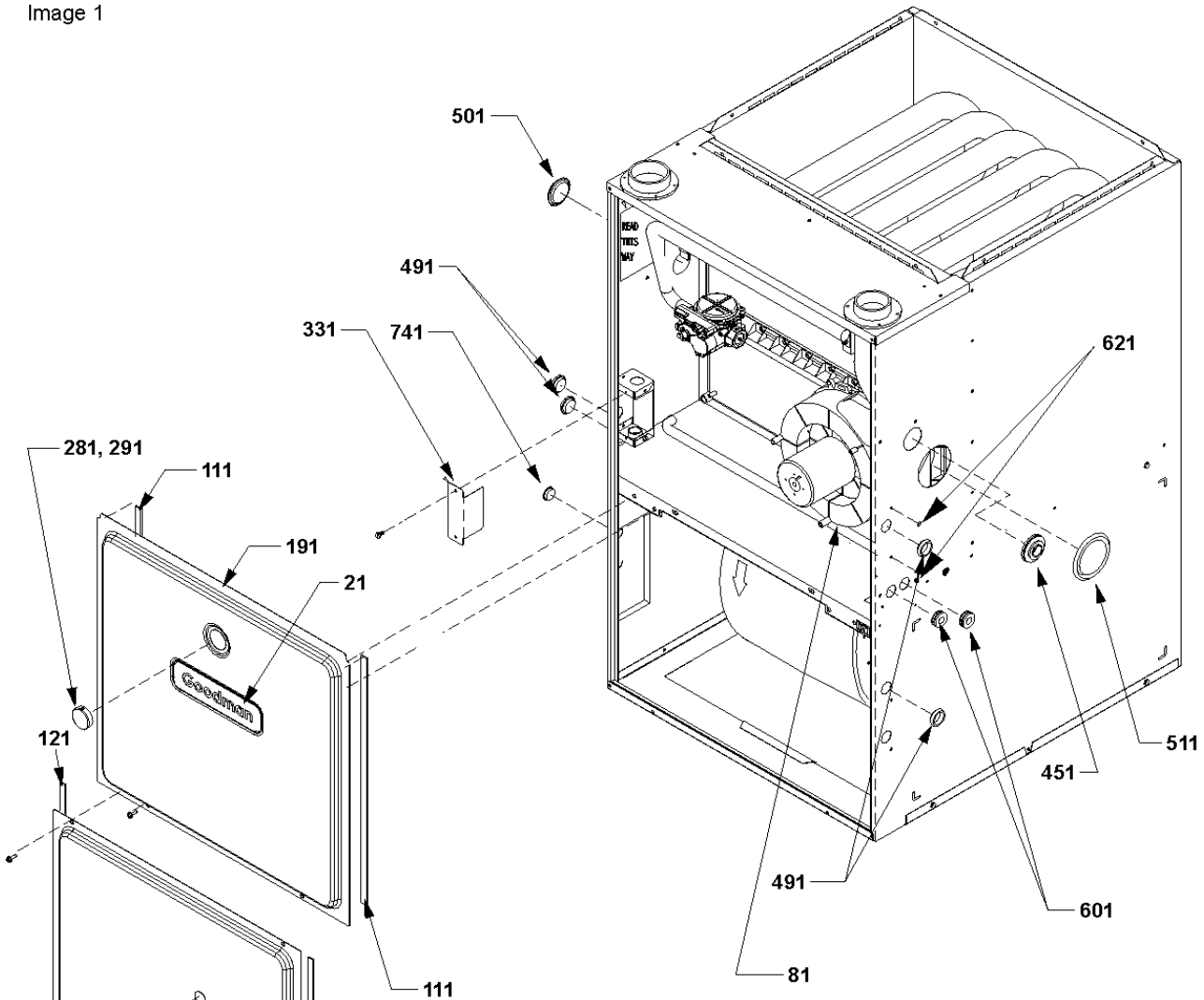
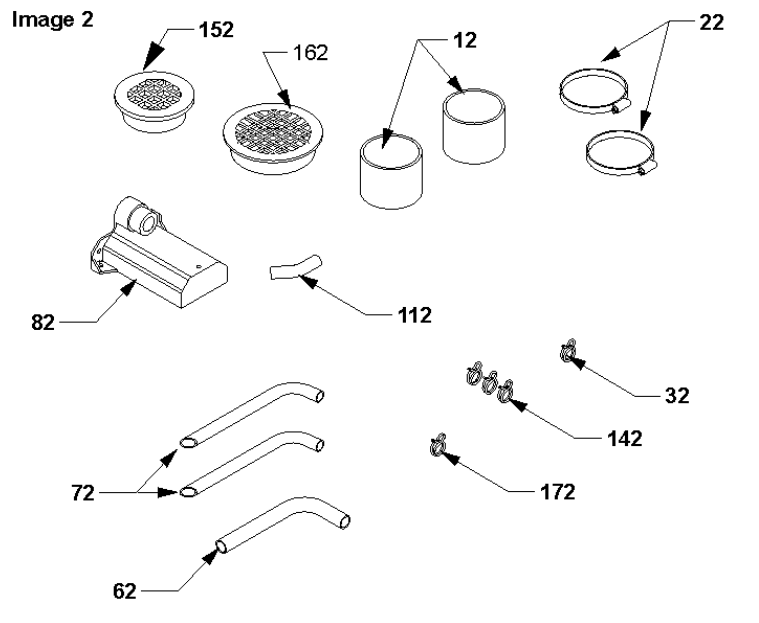


Image 2



Cabinet

Ref. Part No:	No:	Description:	Ref. Part No:	No:	Description:
---------------	-----	--------------	---------------	-----	--------------

Image 1:

21	0161F00000P	GOODMAN NAMEPLATE
111	20179308	GASKET (QTY 2)
121	20179311	GASKET (QTY 2)
131	20179312	GASKET (M5, M6)
131	20179313	GASKET (M7, M8)
131	20215701	GASKET-FA (M1, M2, M3, M4)
191	0121F00072DG	ACCESS DOOR (M1, M2, M3, M4)
191	0121F00073DG	ACCESS DOOR (M5, M6)
191	0121F00074DG	ACCESS DOOR (M7, M8)
201	0121F00069DG	BLOWER DOOR (M1, M2, M3, M4)
201	0121F00070DG	BLOWER DOOR (M5, M6)
201	0121F00071DG	BLOWER DOOR (M7, M8)
281	B1392139	VIEW PORT BUSHING-BLOWER DOOR (QTY 2)
331	0161F00012	JUNCTION BOX-PLA
451	M0501301	PIPE GROMMET
491	M0570808	BUTTON PLUG (QTY 4)
501	M0570806	BUTTON PLUG
511	M0570807	BUTTON PLUG
601	A4691701	GROMMET (QTY 2)
621	M0310345	BUTTON PLUG (QTY 2)
741	B1392104	UNIVERSAL BUSHING UB875

Image 2:

12	10254303	RUBBER COUPLING
22	0163M00049	HOSE CLAMP (QTY 2)
32	M0119207	HOSE CLAMP
62	20201901	DRAIN HOSE
72	20201902	DRAIN HOSE
82	20171701	DRAIN TRAP
112	20214203	DRAIN ANGLE
142	M0119205	HOSE CLAMP (QTY 3)
152	B2810816	2" MESH INSERT
162	B2810814	3" MESH INSERT
172	M0119206	HOSE CLAMP

Expanded Model Nomenclature

M1 - GME950403BXAA
M2 - GME950403BXAB
M3 - GME950603BXAA
M4 - GME950603BXAB
M5 - GME950805CXAA
M6 - GME950805CXAB
M7 - GME951005DXAA
M8 - GME951005DXAB

Blower Assembly

Image 1

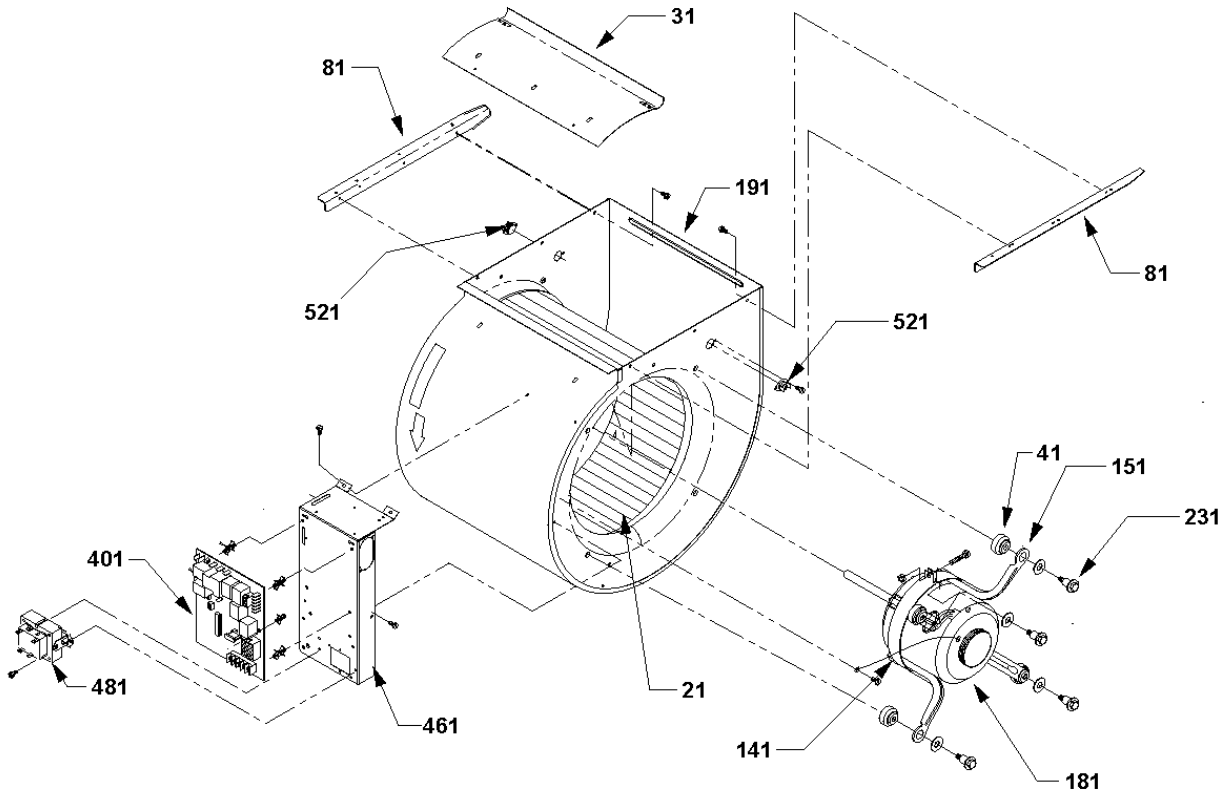
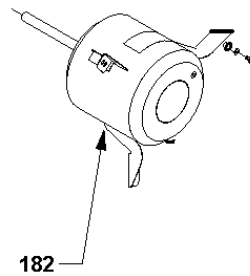


Image 2



Blower Assembly

Ref. Part No:	Description:	Ref. Part No:	Description:
---------------	--------------	---------------	--------------

Image 1:

21	D6723311	BLOWER WHEEL (M7, M8)
21	B1368047	BLOWER WHEEL 10 X 10 (M5, M6)
21	B1368058	BLOWER WHEEL 10 X 8 (M1, M2, M3, M4)
31	764741F	BLOWER BLOCK-OFF 10 X 10 (M5, M6)
31	764740	BLWR BLK-OFF,10X8 (M1, M2, M3, M4)
41	A4002702	BLOWER MOTOR GROMMET (M7, M8)
81	20175101	BLOWER SIDE RAIL (M7, M8)
141	10441601	MOTOR MOUNT BAND (M7, M8)
151	10441501	MOTOR MOUNT ARM (M7, M8)
181	0131M00287	MOTOR, 115V 1 HP,PROG (M7, M8)
191	0271F00003P	BLOWER HOUSING ASSY 10 X 10 (M5, M6)
191	0271F00000P	BLOWER HOUSING ASSY 10 X 8 (M1, M2, M3, M4)
191	0271F00048	BLOWER HOUSING ASSY 11 X 10 (M7, M8)
231	M0221461	TC SCREW (M7, M8)
231	M0250558	TC SCREW (M1, M2, M3, M4, M5, M6)
401	PCBBF132	PCB 2STAGE HYBRID FURNACE CNTL
461	0121F00025P	CONTROL BRACKET
481	B1141605	TRANSFORMER 120V TO 24V, 40 VA
521	B1392021	PLASTIC PLUG, 1" (2713-BLK) (M1, M2, M3, M4, M5, M6)
NS	0130M00073	ECOTECH POWER HARNESS
NS	B1393802	SUPPORT, 2-WING BOARD, .187 MT (QTY 4)
NS	B1393803	SUPPORT, SINGLE-WING BOARD (.1
NS	0159F00018	WIRING HARNESS

Image 2:

182	0131M00286	MOTOR, 115V 1 HP, PROG (M5, M6)
182	0131M00284	MOTOR, 115V 1/2 HP, PROG (M1, M2)
182	0131M00285	MOTOR, 115V 1/2 HP, PROG (M3, M4)

Expanded Model Nomenclature

M1 - GME950403BXAA
M2 - GME950403BXAB
M3 - GME950603BXAA
M4 - GME950603BXAB
M5 - GME950805CXAA
M6 - GME950805CXAB
M7 - GME951005DXAA
M8 - GME951005DXAB

Chassis

Image 1

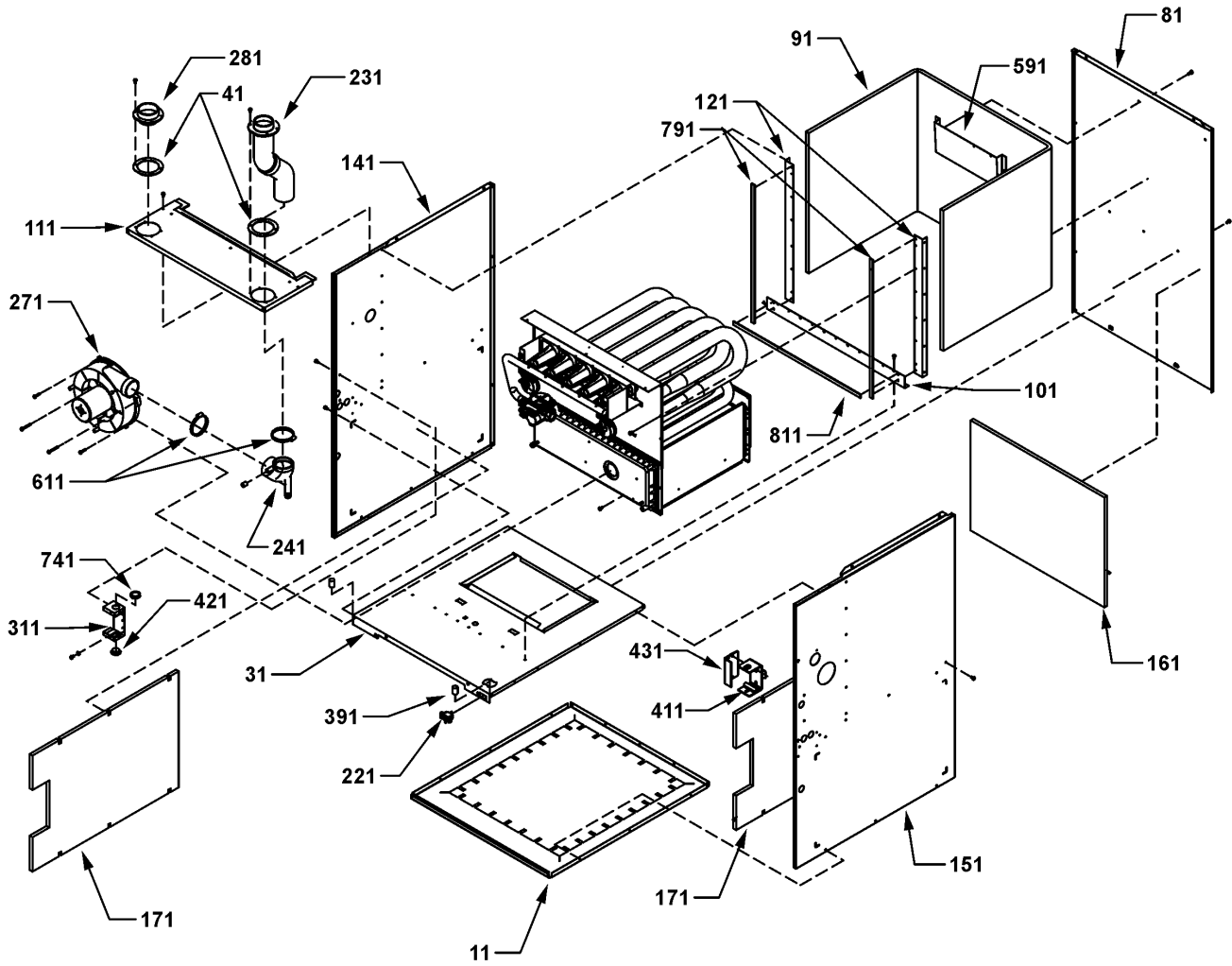
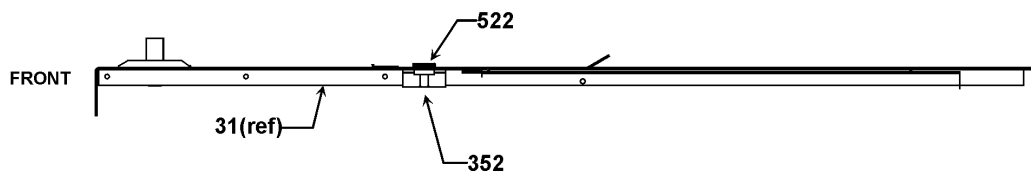


Image 2



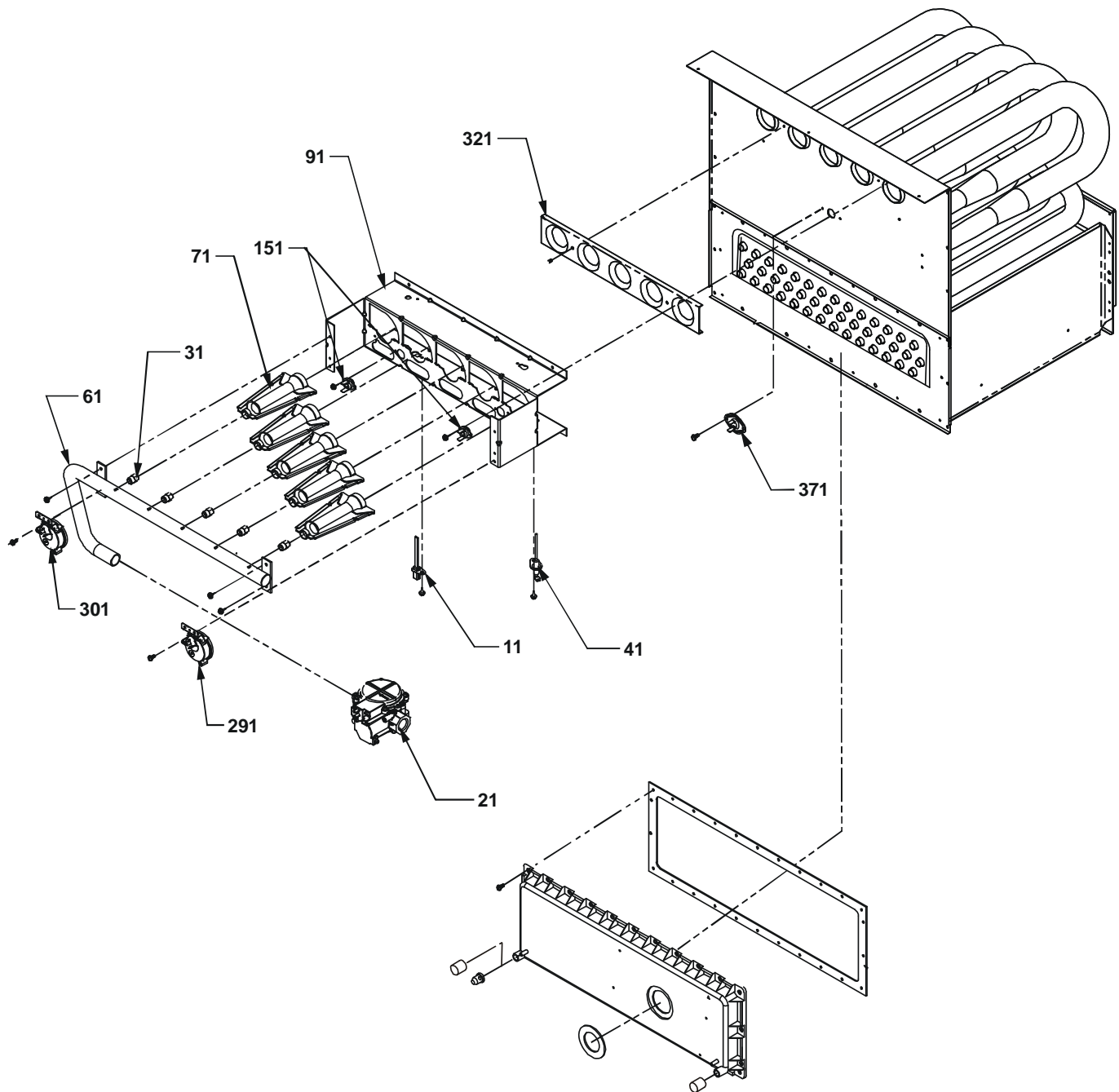
Chassis

Ref. Part No:	No:	Description:	Ref. Part No:	No:	Description:
<i>Image 1:</i>			<i>Image 2:</i>		
11	0121F00050DG	BASE PAN (M1, M2, M3, M4)	352	10861101	AUXILIARY LIMIT BRACKET
11	0121F00051DG	BASE PAN (M5, M6)	522	10123519	MANUAL RESET LIMIT (M7, M8)
11	0121F00052DG	BASE PAN (M7, M8)	522	10123535	MANUAL RESET LIMIT-RED (M1, M2, M3, M4, M5, M6)
31	0121F00045	BLOWER DECK (M5, M6)			
31	0121F00048	BLOWER DECK (M7, M8)			
31	0121F00043	DECK-BLWR UF 17.5 FUR (M1, M2, M3, M4)			
41	0154F00002P	COIL GASKET (M7, M8)			
41	0154F00000P	GASKET (M1, M2, M3, M4)			
41	0154F00001P	GASKET (M5, M6)			
81	20273208	BACK PANEL (M1, M2, M3, M4)			
81	20273212	PANEL-BACK UF FURN (M7, M8)			
81	20273210	PANEL-BACK UF PNT (M5, M6)			
91	C6415909	HEAT EXCHANGER INSULATION (M7, M8)			
91	C6415910	HEAT EXCHANGER INSULATION (M1, M2, M3, M4)			
91	C6415911	HEAT EXCHANGER INSULATION (M5, M6)			
101	0121F00018P	DECK RAIL (M1, M2, M3, M4)			
101	0121F00019P	DECK RAIL (M5, M6)			
101	20191303	DECK RAIL (M7, M8)			
111	0270F00100P	TOP COVER ASSY (M1, M2, M3, M4)			
111	0270F00101P	TOP COVER ASSY (M5, M6)			
111	0270F00102P	TOP COVER ASSY (M7, M8)			
121	20191602	SIDE RAIL (M1, M2, M3, M4)			
121	20191603	SIDE RAIL (M5, M6)			
121	20191604	SIDE RAIL (M7, M8)			
141	0121F00429DG	SIDE PANEL LH			
151	0121F00428DG	SIDE PANEL RH			
161	20006601	INSULATION (M1, M2, M3, M4)			
161	20006602	INSULATION (M5, M6)			
161	20006603	INSULATION (M7, M8)			
171	20243503	SIDE INSULATION (QTY 2)			
221	B1370818	INTERLOCK SWITCH			
231	22309501	FLUE PIPE			
241	20171802	ELBOW			
271	0171M00000	ID BLOWER			
281	20049701	FA COUPLING			
311	22320001	DECK GASKET (M1, M2, M3, M4)			
311	22320002	DECK GASKET (M5, M6)			
311	22320003	DECK GASKET (M7, M8)			
391	M0275521	PLASTIC SEALER (QTY 0)			
411	0161F00013	JUNCTION BOX-COVER			
421	B1392104	UNIVERSAL BUSHING UB 875			
431	0161F00012	JUNCTION BOX-PLA			
591	11165107	ID BLOWER SHIELD			
611	0163M00049	HOSE CLAMP (QTY 2)			
741	B1392104	UNIVERSAL BUSHING UB 875			
791	20194608	GASKET (QTY 2)			
811	20194605	GASKET (M1, M2, M3, M4)			
811	20194606	GASKET (M5, M6)			
811	20194607	GASKET (M7, M8)			

Expanded Model Nomenclature

M1 - GME950403BXAA
M2 - GME950403BXAB
M3 - GME950603BXAA
M4 - GME950603BXAB
M5 - GME950805CXAA
M6 - GME950805CXAB
M7 - GME951005DXAA
M8 - GME951005DXAB

Manifold / Gas Valve



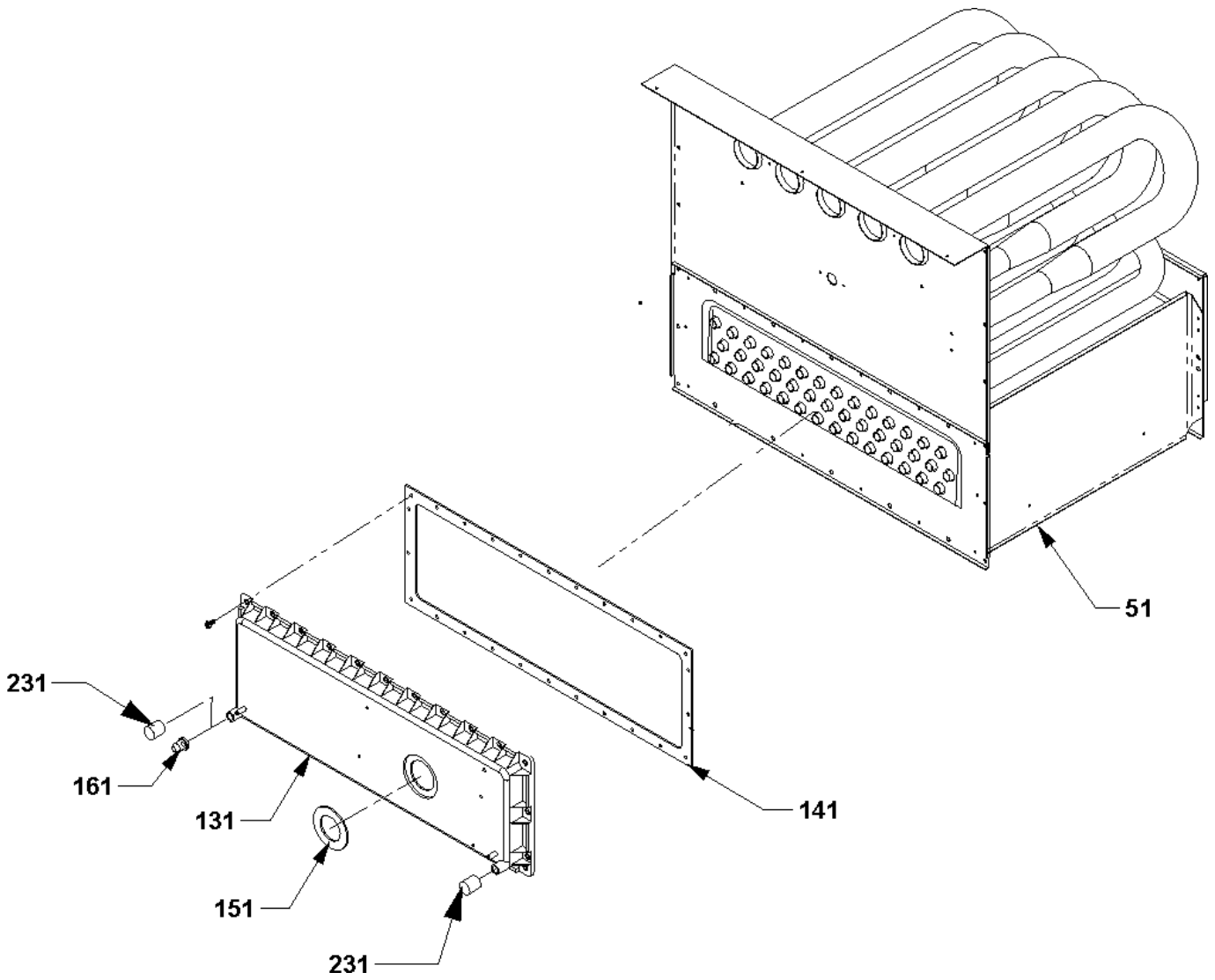
Manifold / Gas Valve

Ref. Part No:	No:	Description:	Ref. Part No:	No:	Description:
<i>Image 1:</i>					
11	0164M00002	PRESSURE SWITCH HOSE (QTY 2)			
11	0130F00008	SINI IGNITOR			
21	0151M00028	VALVE,GAS(HW)VR92			
31	0163F00004	ORIFICE (QTY A/R)			
41	0130F00010	FLAME SENSOR			
61	20196401	MANIFOLD - 2 BRNR (M1, M2)			
61	20196402	MANIFOLD - 3 BRNR (M3, M4)			
61	20196403	MANIFOLD - 4 BRNR (M5, M6)			
61	20196404	MANIFOLD - 5 BRNR (M7, M8)			
71	10735102	BECKETT BURNER (QTY A/R)			
91	20190410	BURNER BRACKET 2B (M1, M2)			
91	20190411	BURNER BRACKET 3B (M3, M4)			
91	20190412	BURNER BRACKET 4B (M5, M6)			
91	20190413	BURNER BRACKET 5B (M7, M8)			
151	10123517	MANUAL RESET LIMIT (M5, M6)			
151	10123533	MANUAL RESET LIMIT-YELLOW (M1, M2, M3, M4, M7, M8)			
291	0130F00214	PRESSURE SWITCH (M1, M2)			
291	0130F00110	PRESSURE SWITCH - GREEN (M3, M4, M5, M6, M7, M8)			
301	20197308	PRESSURE SWITCH-YELLOW			
321	11072201	ORIFICE SHIELD (M1, M2)			
321	11072202	ORIFICE SHIELD (M3, M4)			
321	11072203	ORIFICE SHIELD (M5, M6)			
321	11072204	ORIFICE SHIELD (M7, M8)			
371	0130M00063	PRIMARY LIMIT - GOLD 140° (M3, M4, M5, M6)			
371	20162904	PRIMARY LIMIT-TEMPERATURE CONTROL (M1, M2, M7, M8)			
NS	0164M00002	PRESSURE SWITCH HOSE (QTY 2)			
NS	0164M00009	PRESSURE SWITCH HOSE			
NS	0164M00012	PRESSURE SWITCH HOSE (M1, M2, M3, M4)			
NS	0164M00013	PRESSURE SWITCH HOSE (M5, M6)			
NS	0164M00014	PRESSURE SWITCH HOSE (M7, M8)			

Expanded Model Nomenclature

M1 - GME950403BXAA
M2 - GME950403BXAB
M3 - GME950603BXAA
M4 - GME950603BXAB
M5 - GME950805CXAA
M6 - GME950805CXAB
M7 - GME951005DXAA
M8 - GME951005DXAB

Heat Exchanger



Heat Exchanger

Ref. Part No:	No:	Description:	Ref. Part No:	No:	Description:
---------------	-----	--------------	---------------	-----	--------------

Image 1:

51	0270F01955	HEAT EXCHANGE ASSY (M3, M4)
51	0270F01956	HEAT EXCHANGE ASSY (M5, M6)
51	0270F01957	HEAT EXCHANGE ASSY (M1, M2)
51	0270F01958	HEAT EXCHANGE ASSY (M7, M8)
131	20170810A	COVER, FRONT (M1, M2)
131	20170811A	COVER, FRONT (M3, M4)
131	20170909A	COVER-FRONT (M5, M6)
131	20171007A	COVER-FRONT (M7, M8)
141	0154F00000P	COIL GASKET (M1, M2, M3, M4)
141	0154F00001P	COIL GASKET (M5, M6)
141	0154F00002P	COIL GASKET (M7, M8)
151	20215701	GASKET-FA (M7, M8)
161	M0326804	TUBE PLUG
231	A1781105	CAP-VINYL .500 (QTY 2)

Expanded Model Nomenclature

M1 - GME950403BXAA
M2 - GME950403BXAB
M3 - GME950603BXAA
M4 - GME950603BXAB
M5 - GME950805CXAA
M6 - GME950805CXAB
M7 - GME951005DXAA
M8 - GME951005DXAB