



# REPAIR PARTS

---

## GME 80% Two-Stage Multi-Speed ECM Gas Furnace

GME80603BNBC  
GME80603BXBC  
GME80805CNBC  
GME80805CXBC  
GME80805DNAB  
GME80805DXAB  
GME81005CNBC  
GME81005CXBC



This manual is to be used by qualified technicians only.

© 2018 Goodman Manufacturing Company, L.P. ♦ 5151 San Felipe St, Suite 500 ♦ Houston, TX 77056

# Important Information

---

## Index

Functional Parts List .....	3
Illustration and Parts .....	4 - 9

*Views shown are for parts illustrations only, not servicing procedures.*

### Text Codes:

AR - As Required

NA - Not Available

NS - Not Shown

00000000 - See Note

QTY - Quantity Example (QTY 3) (If Quantity not shown, Quantity = 1)

M - Model Example (M1) (If M Code not shown, then part is used on all Models)

### Expanded Model Nomenclature:

Example M1 - Model#1 M2 - Model#2 M3 - Model#3
---

Goodman Manufacturing Company, L.P. is not responsible for personal injury or property damage resulting from improper service. Review all service information before beginning repairs.

Warranty service must be performed by an authorized technician, using authorized factory parts. If service is required after the warranty expires, Goodman Manufacturing Company, L.P. also recommends contacting an authorized technician and using authorized factory parts.

Goodman Manufacturing Company, L.P. reserves the right to discontinue, or change at any time, specifications or designs without notice or without incurring obligations.

For assistance within the U.S.A. contact:

Homeowner Support

Goodman Manufacturing Company, L.P.

19001 Kermier Road

Waller, Texas 77484

877-254-4729-Telephone

713-863-2382-Facsimile

For assistance outside the U.S.A. contact:

International Division

Goodman Manufacturing Company, L.P.

19001 Kermier Road

Waller, Texas 77484

713-861-2500-Telephone

713-863-2382-Facsimile

# Functional Parts

## Part

## No: Description:

---

20162904	*PRIMARY LIMIT-TEMPERATURE CONTROL (M1, M2, M7, M8) *Refer to service bulletin SF-054
0130F00042	AIR PRESSURE SWITCH (M5, M6)
B1370158	AIR PRESSURE SWITCH, LIME (M7, M8)
B1370179	AIR PRESSURE SWITCH, PINK (M1, M2, M3, M4)
0130F00010	FLAME SENSOR
0151M00027	GAS VALVE
10123529	MANUAL RESET R.O.S. LIMIT (QTY 2)
20162903	PRIMARY LIMIT - BLUE (M3, M4, M5, M6)
0130F00008	SINI IGNITOR
10690402	SWITCH-INTERLOCK
0131M00002P	VENT MOTOR

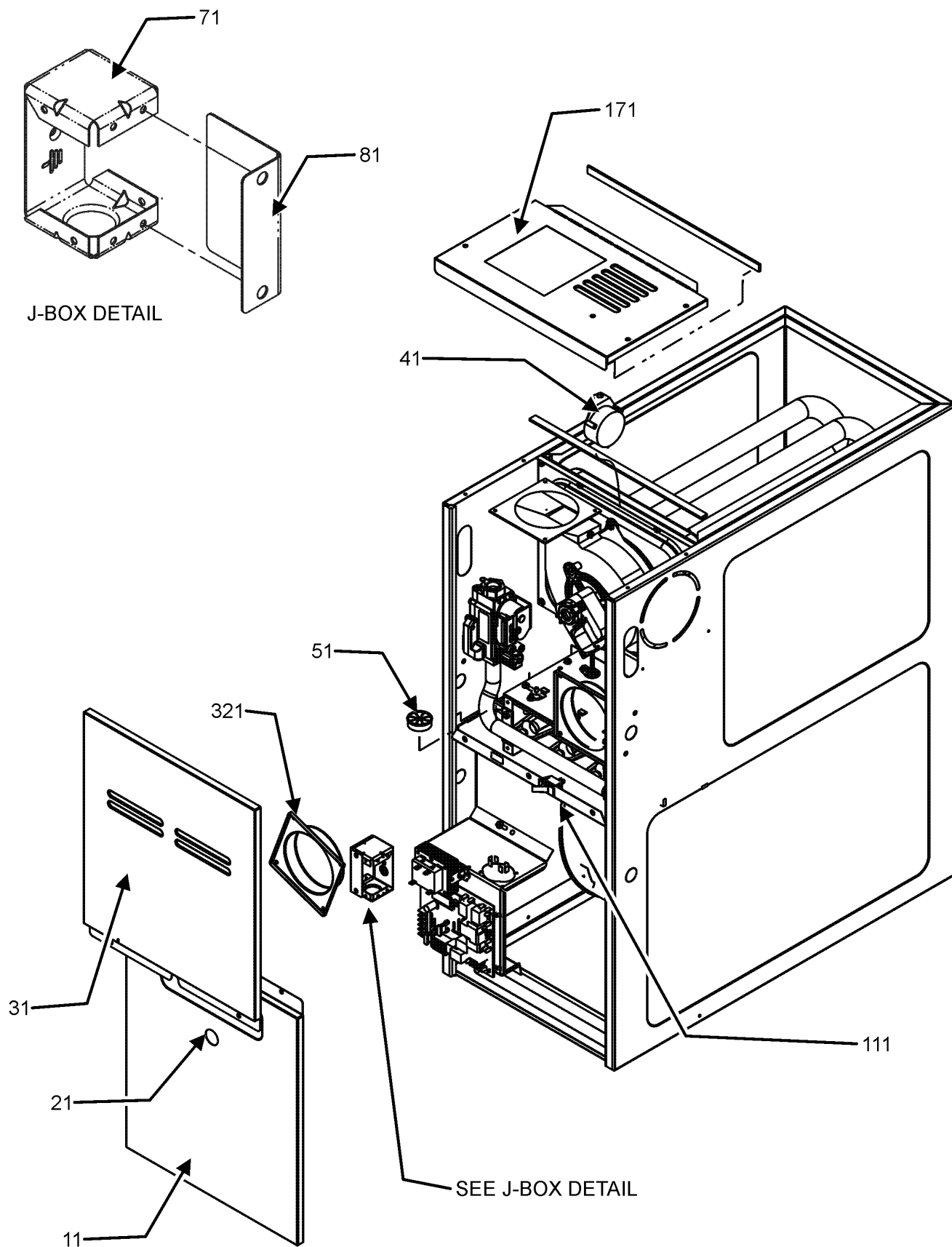
### SPECIAL PARTS

0161F00007 NAMEPLATE, GOODMAN

### Expanded Model Nomenclature

M1 - GME80603BNBC
M2 - GME80603BXBC
M3 - GME80805CNBC
M4 - GME80805CXBC
M5 - GME80805DNAB
M6 - GME80805DXAB
M7 - GME81005CNBC
M8 - GME81005CXBC

# CABINET ASSEMBLY



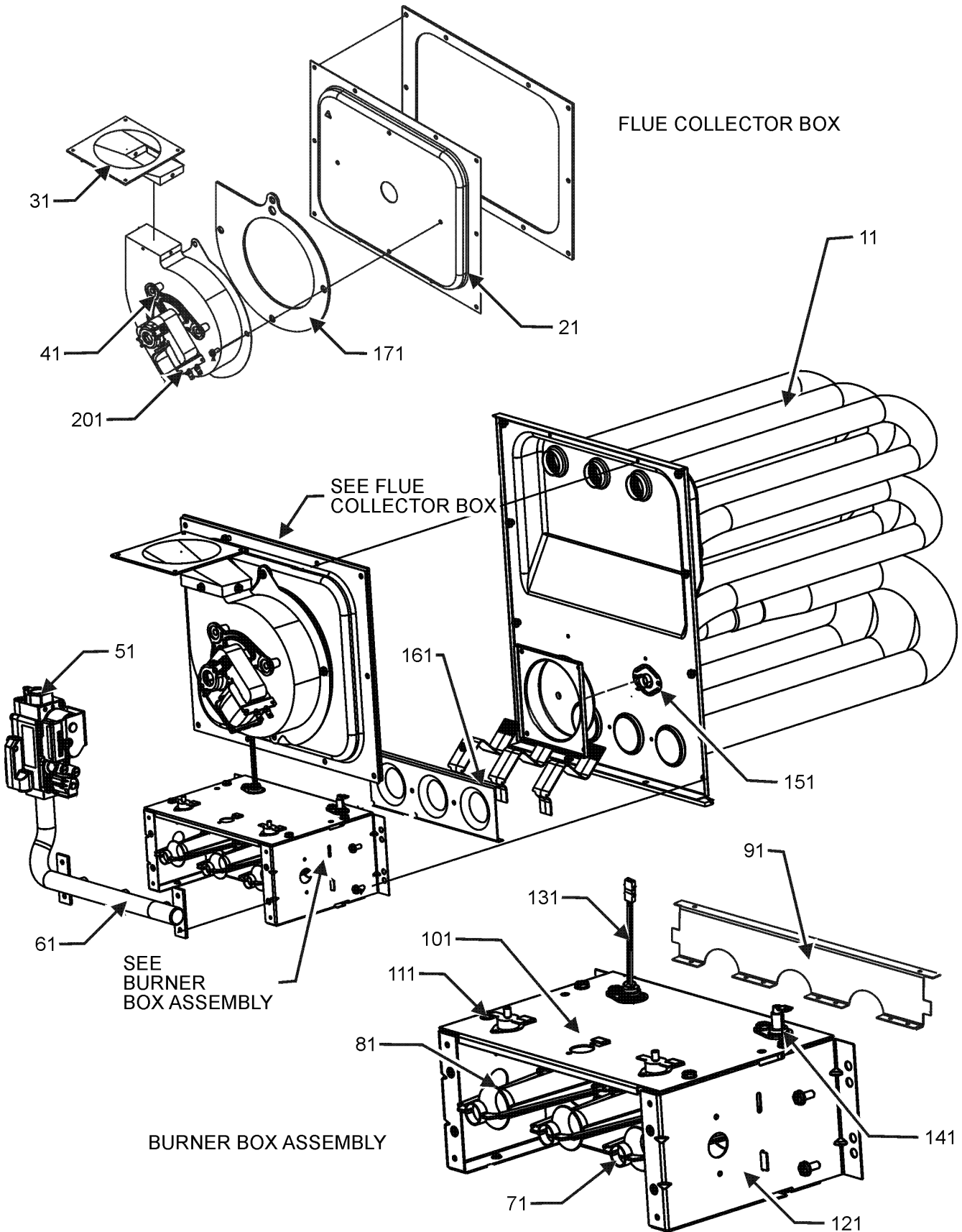
# CABINET ASSEMBLY

Ref. Part No:	No:	Description:	Ref. Part No:	No:	Description:
<i>Image 1:</i>					
11	0121F00123DG	DOOR, BLOWER, 17.5"-PAINTED (M1, M2)			
11	0121F00124DG	DOOR, BLOWER, 21"-PAINTED (M3, M4, M7, M8)			
11	0121F00125DG	DOOR, BLOWER, 24.5"-PAINTED (M5, M6)			
21	B1392139	VIEW PORT BUSHING-BLOWER DOOR			
31	0121F00120DG	DOOR CTRL ACCESS, 21"-PAINTED (M3, M4, M7, M8)			
31	0121F00119DG	DOOR CTRL ACCESS, 17.5"-PAINTED (M1, M2)			
31	0121F00121DG	DOOR CTRL ACCESS, 24.5"-PAINTED (M5, M6)			
41	0130F00042	AIR PRESSURE SWITCH (M5, M6)			
41	B1370158	AIR PRESSURE SWITCH, LIME (M7, M8)			
41	B1370179	AIR PRESSURE SWITCH, PINK (M1, M2, M3, M4)			
51	B1392147	UNIVERSAL BUSHING WITH SLICE			
71	4014502	J-BOX			
81	4015502	J-BOX COVER			
111	10690402	SWITCH-INTERLOCK			
171	0121F00142DG	TOP, FURNACE 17.5"-PAINTED (M1, M2)			
171	0121F00143DG	TOP, FURNACE 21"-PAINTED (M3, M4, M7, M8)			
171	0121F00463DG	TOP, FURNACE 24.5" PAINTED (M5, M6)			
NS	0161F00007	NAMEPLATE, GOODMAN			
NS	B13926112	SEAL STRIP, 1/8 X 1/2 X 17.5 (M1, M2)			
NS	B13926113	SEAL STRIP, 1/8 X 1/2 X 21 (M3, M4, M7, M8)			
NS	B13926114	SEAL STRIP, 1/8 X 1/2 X 24.5 (M5, M6)			

## Expanded Model Nomenclature

M1 - GME80603BNBC
M2 - GME80603BXBC
M3 - GME80805CNBC
M4 - GME80805CXBC
M5 - GME80805DNAB
M6 - GME80805DXAB
M7 - GME81005CNBC
M8 - GME81005CXBC

# HEAT EXCHANGE ASSEMBLY



# HEAT EXCHANGE ASSEMBLY

Ref. Part No: No:	Description:	Ref. Part No: No:	Description:
-------------------	--------------	-------------------	--------------

**Image 1:**

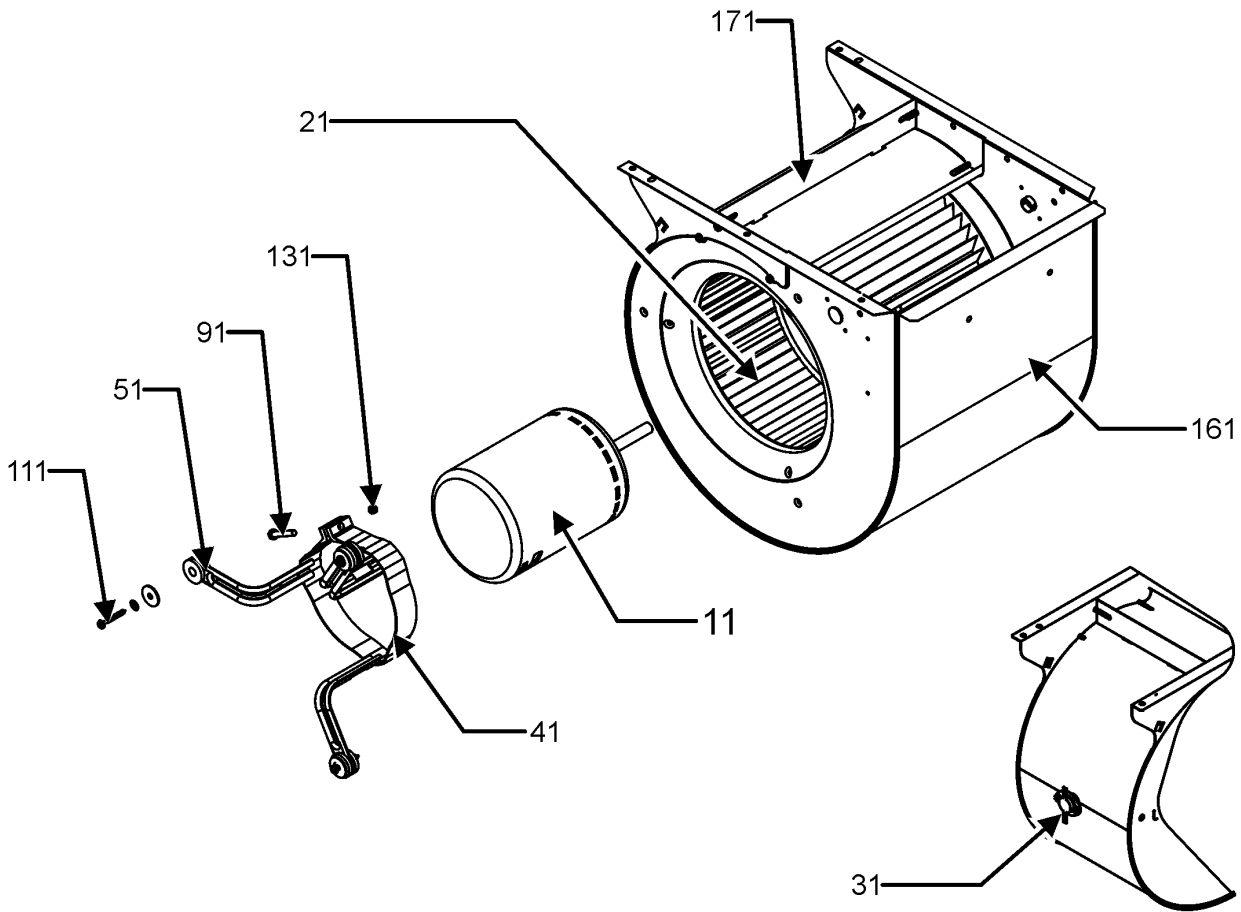
11	0270F00903	HEAT EXCHANGER ASSY (M7, M8)
11	0270F00929	HEAT EXCHANGER ASSY (M1, M2)
11	0270F00930	HEAT EXCHANGER ASSY (M3, M4)
11	0270F02961	HEAT EXCHANGER ASSY (M5, M6)
21	0121F00333	21" COLLECTOR BOX 1.75" DIA (M3, M4, M7, M8)
21	0121F00462	21" FLUE COLLECTOR BOX (M5, M6)
21	0121F00128	COLLECTOR BOX 17.5" 1.75 DIA (M1, M2)
31	0128F00006	CHIMNEY TRANSITION BOTTOM
41	0131M00002P	VENT MOTOR
51	0151M00027	GAS VALVE
61	0120F00007	MANIFOLD (M1, M2)
61	0120F00008	MANIFOLD (M3, M4, M5, M6)
61	0120F00009	MANIFOLD (M7, M8)
71	10716005	ORIFICE, #45 DRILL (QTY 3)
81	B4022700	INSHOT BURNER ASSY 3" (QTY 3)
91	0121F00168	BURNER RACK, 3 CELL (M1, M2)
91	0121F00169	BURNER RACK, 4 CELL (M3, M4, M5, M6)
91	0121F00170	BURNER RACK, 5 CELL (M7, M8)
101	0121F00163	TOP, BURNER BOX 3 CELL (M1, M2)
101	0121F00164	TOP, BURNER BOX 4 CELL (M3, M4, M5, M6)
101	0121F00165	TOP, BURNER BOX 5 CELL (M7, M8)
111	10123529	MANUAL RESET R.O.S. LIMIT (QTY 2)
121	0121F00146	SIDE PLATE-BURNER BOX (QTY 2)
131	0130F00008	SINI IGNITOR
141	0130F00010	FLAME SENSOR
151	20162904	*PRIMARY LIMIT-TEMPERATURE CONTROL (M1, M2, M7, M8) *Refer to service bulletin SF-054
151	20162903	PRIMARY LIMIT - BLUE (M3, M4, M5, M6)
161	4028001	ORIFICE PLATE, 3CELL (M1, M2)
161	4028002	ORIFICE PLATE, 4CELL (M3, M4, M5, M6)
161	4028003	ORIFICE PLATE, 5CELL (M7, M8)
171	0154F00004	GASKET-17.5 INCH (M1, M2)
171	0154F00005	GASKET-21 INCH (M3, M4, M5, M6, M7, M8)
201	DY6.186.070	VENT MOTOR CAPACITOR
NS	0259M00005	ADAPTER HARNESS

**Expanded Model Nomenclature**

M1 - GME80603BNBC
M2 - GME80603BXBC
M3 - GME80805CNBC
M4 - GME80805CXBC
M5 - GME80805DNAB
M6 - GME80805DXAB
M7 - GME81005CNBC
M8 - GME81005CXBC

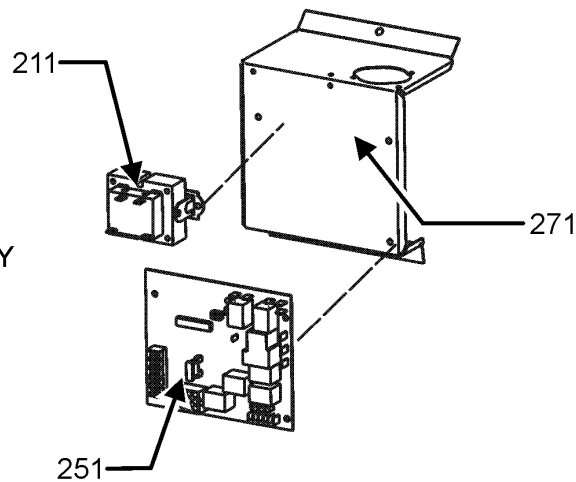
# BLOWER AND CONTROL PANEL ASSEMBLY

## BLOWER ASSEMBLY



BLOWER HOUSING ASSEMBLY  
BACK VIEW

## CONTROL PANEL ASSEMBLY



# BLOWER AND CONTROL PANEL ASSEMBLY

Ref. Part No:	Ref. Part No:	Description:	Description:
<b>Image 1:</b>			
11	0131M00176	MOTOR (M1, M2)	
11	0131M00177	MOTOR (M3, M4)	
11	0131M00178	MOTOR (M7, M8)	
11	0131M00482	MOTOR, 115V. 1HP PROG (M5, M6)	
21	B1368047	BLOWER WHEEL (10 X 10) (M3, M4, M5, M6, M7, M8)	
21	B1368016	WHEEL, BLOWER, 10X8 (M1, M2)	
31	0130F00038	PRIMARY LIMIT - LT BLUE 120°	
41	0121M00038	MOTOR MOUNT BAND	
51	B1376853	MOTOR MOUNT ARM (QTY 3)	
91	0163M00320	HEX HEAD ALL THREAD TAP BOLT	
111	M0250565	TC SCREW 1.25" (QTY 3)	
131	B1393800	LOCKNUT, NYLON, INSERT 1/4, 20	
161	2539307	BLWR SHL ASM 10X10 10X10 (M3, M4, M5, M6, M7, M8)	
161	2539306	BLWR SHL ASM 10X8 10X8 (M1, M2)	
171	764741	BLWR BLK-OFF,10X10 (M3, M4, M5, M6, M7, M8)	
171	764740	BLWR BLK-OFF,10X8 (M1, M2)	
211	0130M00140	TRANSFORMER 120V TO 24V, 40 VA	
251	PCBBF132	PCB 2STAGE HYBRID FURNACE CNTL	
271	1815817	CONTROL MOUNT PANEL	
NS	0130M00072	ECOTECH LOW VOLTAGE WIRE HARNE	
NS	0130M00073	ECOTECH POWER HARNESS	
NS	0259F00050	KIT, WIRE HYBRID FURN	
NS	0259F00274	WIRE HARNESS ASSY (M1, M2)	
NS	0259F00275	WIRE HARNESS ASSY (M3, M4, M5, M6, M7, M8)	
NS	0159F00060	WIRE HARNESS ASSY. , IGNITOR	

## Expanded Model Nomenclature

M1 - GME80603BNBC
M2 - GME80603BXBC
M3 - GME80805CNBC
M4 - GME80805CXBC
M5 - GME80805DNAB
M6 - GME80805DXAB
M7 - GME81005CNBC
M8 - GME81005CXBC