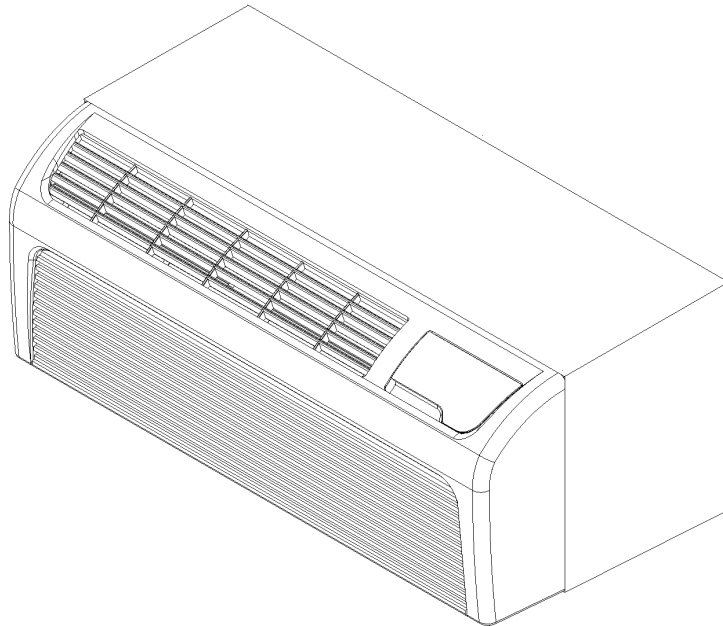


GMC*AQ Packaged Terminal Air Conditioner

GMC073B35AQAA
GMC093B25AQAA
GMC093B35AQAA
GMC123B35AQAA
GMC123B50AQAA



Important Information

Index

Functional Parts List	3
Illustration and Parts	4 - 11

Views shown are for parts illustrations only, not servicing procedures

Text Codes:

AR - As Required

NA - Not Available

NS - Not Shown

00000000 - See Note

QTY - Quantity Example (QTY 3) (If Quantity not shown, Quantity = 1)

M - Model Example (M1) (If M Code not shown, then part is used on all Models)

Expanded Model Nomenclature:

Example M1 - Model#1 M2 - Model#2 M3 - Model#3

Goodman Company, L.P. is not responsible for personal injury or property damage resulting from improper service. Review all service information before beginning repairs.

Warranty service must be performed by an authorized technician, using authorized factory parts. If service is required after the warranty expires, Goodman Company, L.P. also recommends contacting an authorized technician and using authorized factory parts.

Goodman Company, L.P. reserves the right to discontinue, or change at any time, specifications or designs without notice or without incurring obligations.

For assistance within the U.S.A. contact:

Consumer Affairs Department
Goodman Company, L.P.
7401 Security Way
Houston, Texas 77040
877-254-4729-Telephone
713-863-2382-Facsimile

For assistance outside the U.S.A. contact:

International Division
Goodman Company, L.P.
7401 Security Way
Houston, Texas 77040
713-861-2500-Telephone
713-863-2382-Facsimile

Functional Parts

Part

No: Description:

CAP050150370RS	CAPACITOR 5/15/370 (M1)
CAP050300370RS	CAPACITOR 5/30/370 (M2, M3, M4, M5)
0210P00006	CAPILLARY WELDMENT (M2, M3)
0210P00005	CAPILLARY WELDMENT (M1)
0210P00007	CAPILLARY WELDMENT (M4, M5)
2P19S3R236A-1A	COMPRESSOR 13K, 208/230V, 60HZ, R22 (M4, M5)
2R11S3R236A-6A	COMPRESSOR 7K, 208/230V, 60HZ, R22 (M1)
2P14S3R236A-1A	COMPRESSOR 9K, 208/230V, 60HZ, R22 (M2, M3)
0201P00002BND	COND ASSY
0202P00009S	EVAP ASSY (M1)
20456702S	EVAP ASSY (M4, M5)
0202P00005S	EVAP ASSY (M2, M3)
11045201	FILTER
22312902	HEATER 3 2.5 KW ASSY (M2)
22312903	HEATER 3 3.5 KW ASSY (M1, M3, M4)
22312904	HEATER 3 5.0 KW ASSY (M5)
0130P00018	MODE SWITCH
0131P00002	MOTOR 100W, 2SP, 6PL (M2, M3, M4, M5)
0131P00000	MOTOR 40W, 2SP, 8PL (M1)
D6961642	OVERLOAD (M1)
D6961641	OVERLOAD (M2, M3)
D6961603	OVERLOAD (M4, M5)
0130P00020	RELAY, SPST, 30A
0130P00019	THERMOSTAT SWITCH

SPECIAL PARTS

20490201	INSPECTION SHEET-SLEEVE/DRAIN
IO-266	INSTALLATION INSTRUCTIONS
RP-444	REPAIR PARTS MANUAL
IO-674	USERS MANUAL

Expanded Model Nomenclature

M1 - GMC073B35AQAA
M2 - GMC093B25AQAA
M3 - GMC093B35AQAA
M4 - GMC123B35AQAA
M5 - GMC123B50AQAA

Front Assy/Chassis

Image 1

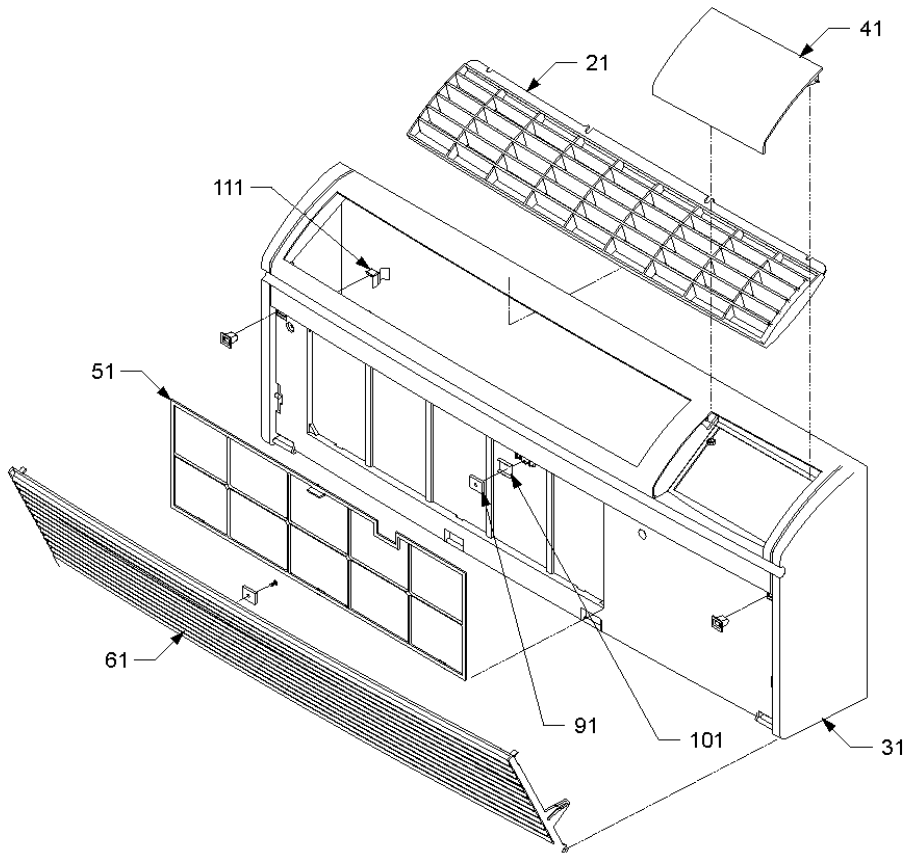
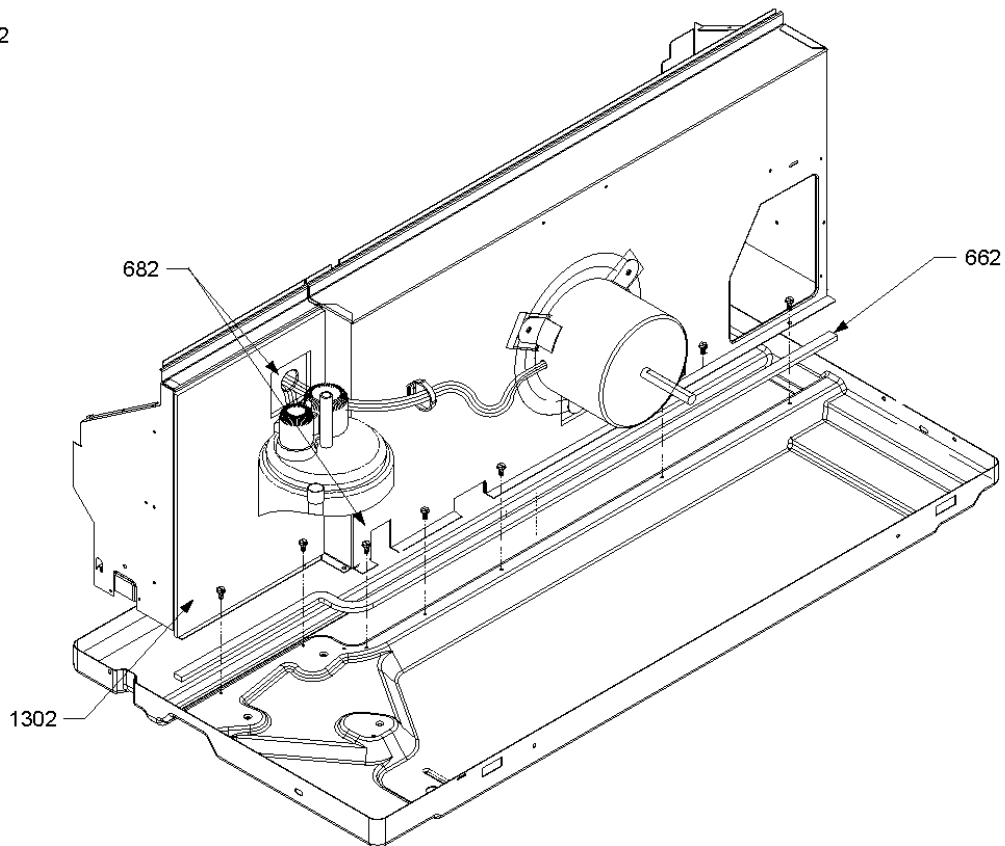


Image 2



Front Assy/Chassis

Ref Part			Ref. Part		
No:	Description:		No: No:	Description:	

Image 1:

21	0161P00006	DISCHARGE GRILLE
31	0261P00001S	FRONT ASSY
41	0161P00009	DOOR-CONTROL WITHOUT KEY HOLE
51	11045201	FILTER
61	0161P00008	INTAKE GRILLE
91	11047301	MAGNET
101	11047201	MAGNET HOLDER
111	11045102	SIDE CLIP (QTY 2)

Image 2:

662	10839828	GASKET .12X.50X43
682	M0275521	SEALER-PLASTIC (QTY 2)
1302	20417402	INSULATION-PARTITION PANEL

Expanded Model Nomenclature

M1 - GMC073B35AQAA
M2 - GMC093B25AQAA
M3 - GMC093B35AQAA
M4 - GMC123B35AQAA
M5 - GMC123B50AQAA

Evap Coil/Compressor

Image 1

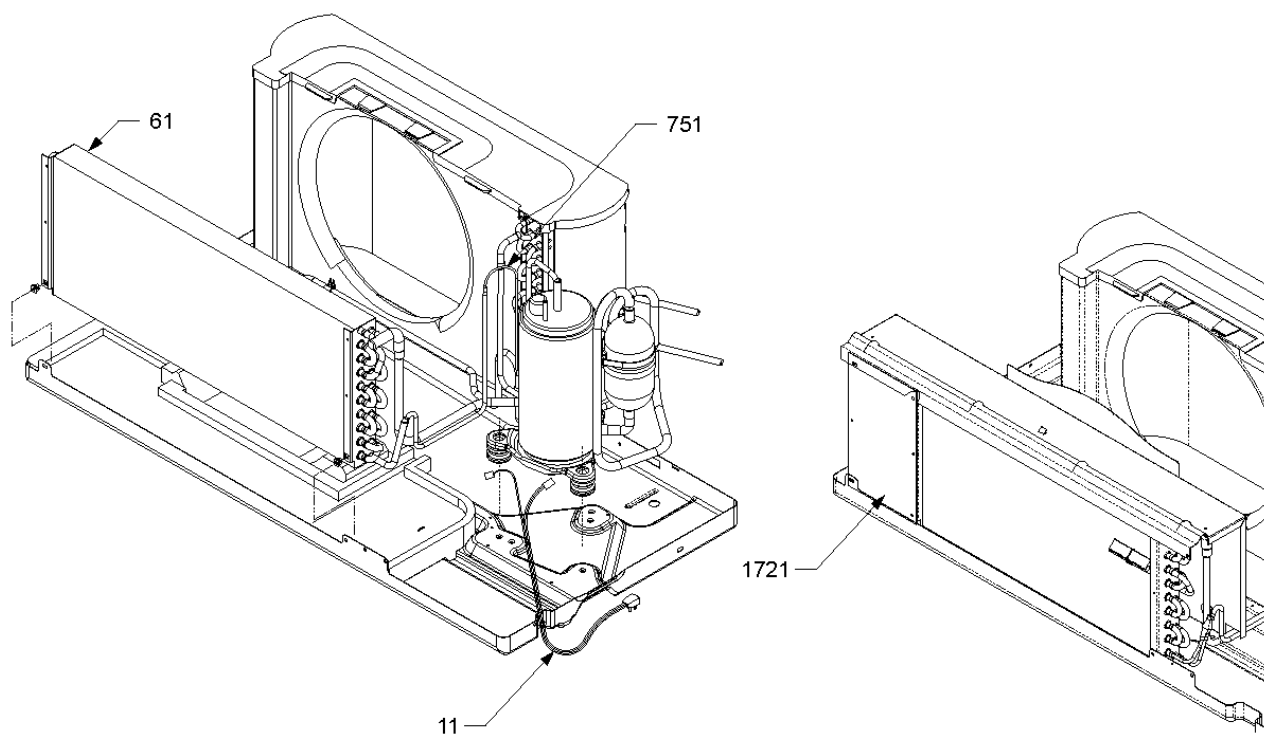
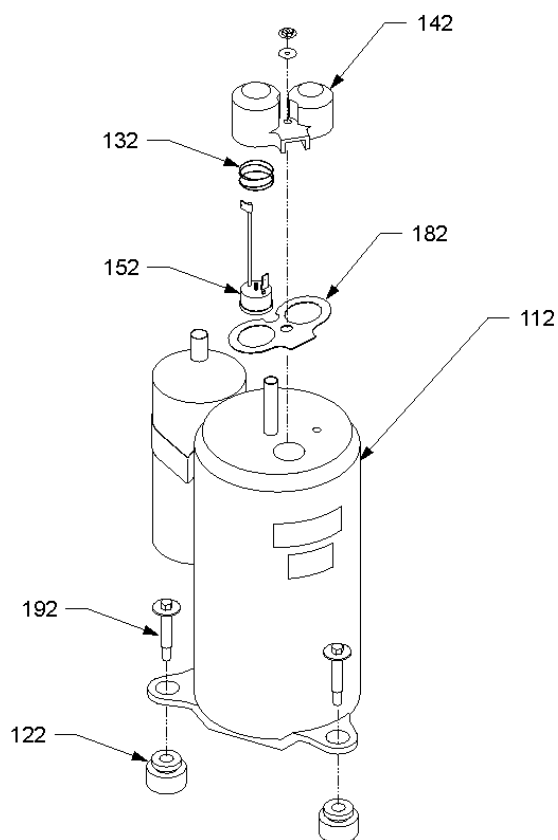


Image 2



Evap Coil/Compressor

Ref Part No:	Description:	Ref. Part No:	Description:
--------------	--------------	---------------	--------------

Image 1:

11	0130P00006	CORD 250 VAC, 15A (LCDI) (M2)
11	0130P00007	CORD 250 VAC, 20A (LCDI) (M1, M3, M4)
11	0130P00008	CORD 250 VAC, 30A (LCDI) (M5)
61	0202P00005S	EVAP ASSY (M2, M3)
61	0202P00009S	EVAP ASSY (M1)
61	20456702S	EVAP ASSY (M4, M5)
751	0210P00005	CAPILLARY WELDMENT (M1)
751	0210P00006	CAPILLARY WELDMENT (M2, M3)
751	0210P00007	CAPILLARY WELDMENT (M4, M5)
1721	0121P00032	FILLER PLATE (M2, M3)

Image 2:

112	2P19S3R236A-1A	COMPRESSOR 13K, 208/230V, 60HZ, R22 (M4, M5)
112	2R11S3R236A-6A	COMPRESSOR 7K, 208/230V, 60HZ, R22 (M1)
112	2P14S3R236A-1A	COMPRESSOR 9K, 208/230V, 60HZ, R22 (M2, M3)
122	A3448602	GROMMET (M4, M5)
122	A4622801	GROMMET (M1, M2, M3)
132	A3436901	OVERLOAD SPRING
142	20120101	TERMINAL COVER
152	D6961603	OVERLOAD (M4, M5)
152	D6961641	OVERLOAD (M2, M3)
152	D6961642	OVERLOAD (M1)
182	A3436701	GASKET, TERMINAL COVER
192	M0253610	SHOULDER SCREW (M4, M5)
192	M0253661	SHOULDER SCREW (M1, M2, M3)

Expanded Model Nomenclature

M1 - GMC073B35AQAA
M2 - GMC093B25AQAA
M3 - GMC093B35AQAA
M4 - GMC123B35AQAA
M5 - GMC123B50AQAA

Chassis/Control Panel

Image 1

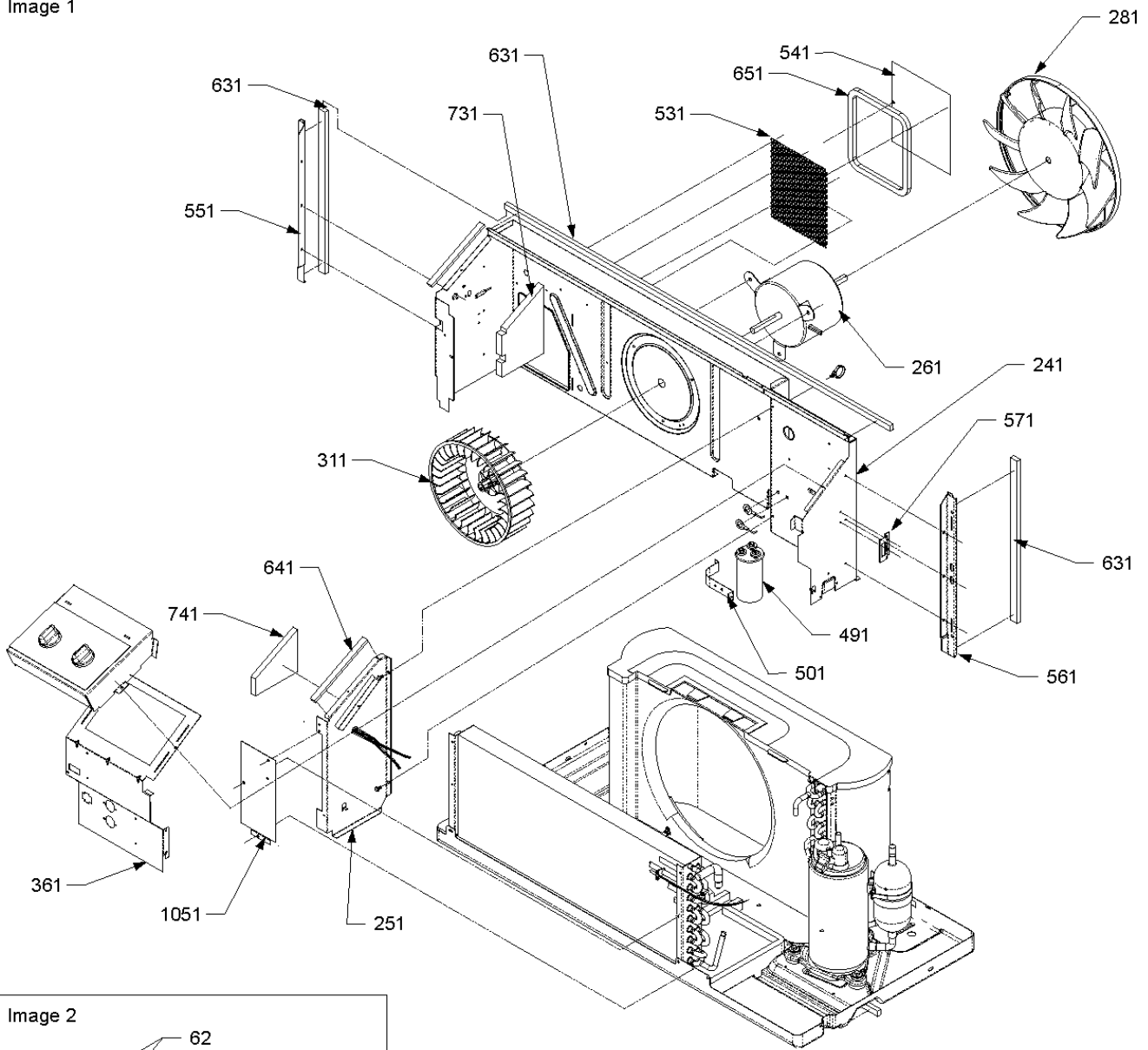
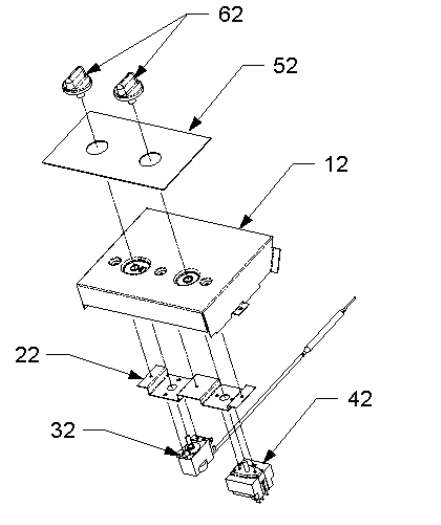


Image 2



Chassis/Control Panel

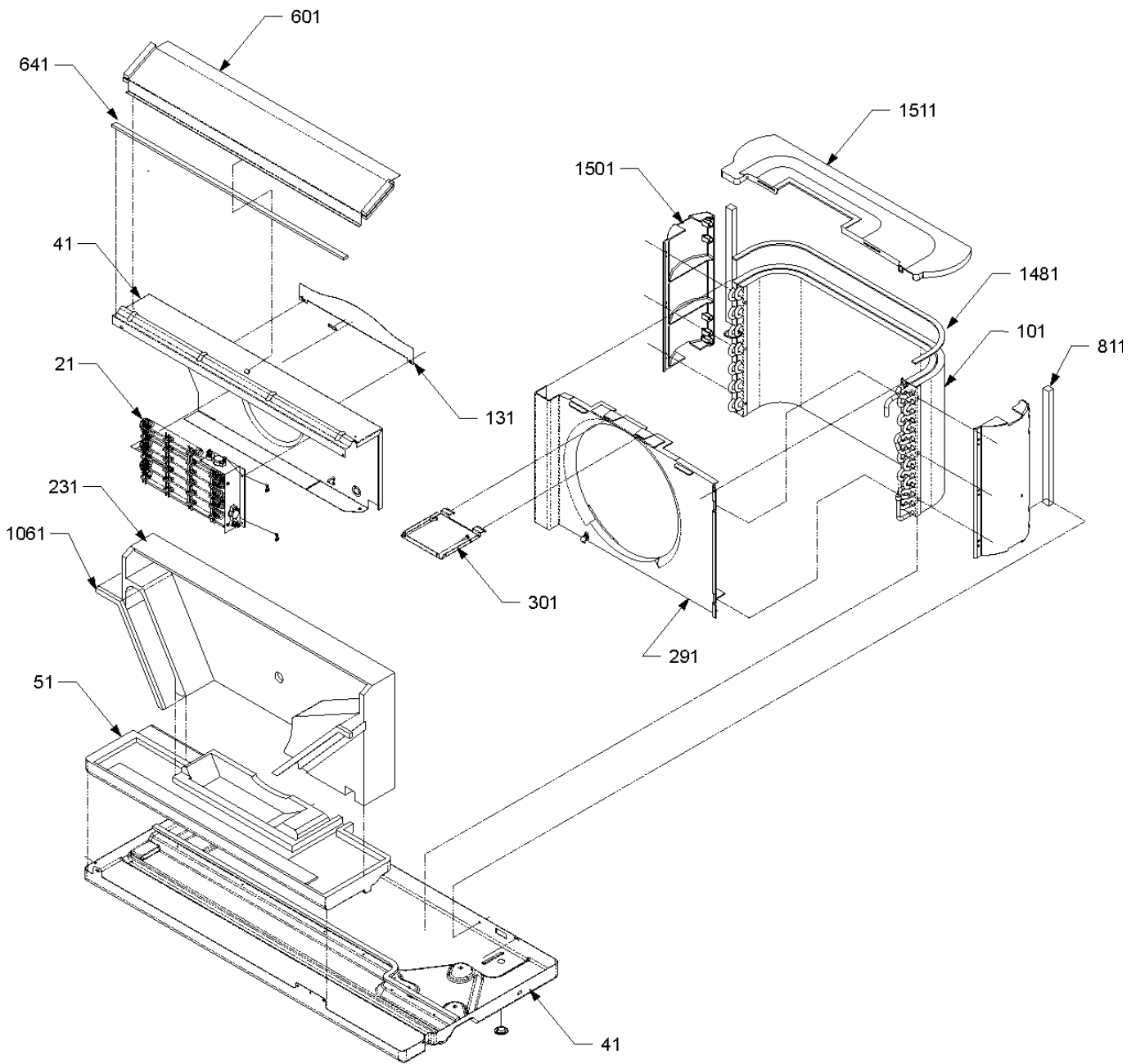
Ref Part No:	Description:	Ref. Part No:	Description:
<i>Image 1:</i>			
241	20403106		PARTITION PANEL
251	20403301		MID PARTITION PANEL
261	0131P00002		MOTOR 100W, 2SP, 6PL (M2, M3, M4, M5)
261	0131P00000		MOTOR 40W, 2SP, 8PL (M1)
281	20414601		CONDENSER FAN
311	11044101		BLOWER WHEEL
361	0121P00028		CONTROL PANEL
491	CAP050150370RS		CAPACITOR 5/15/370 (M1)
491	CAP050300370RS		CAPACITOR 5/30/370 (M2, M3, M4, M5)
501	C6300502		CAPACITOR STRAP
531	20304001		PROTECTION SHIELD
541	20295301		VENT DOOR
551	20416201		SEAL-LEFT SIDE
561	20416101		SEAL-RIGHT SIDE
571	11191703		BRACKET, PARTITION PANEL (QTY 2)
631	10839807		GASKET .37X.75 POLYETHYLENE (QTY 3)
641	20455902		GASKET .50X.25 NITRILE-PVC (QTY 5)
651	10839808		GASKET .37X.50 (QTY 3)
731	11122901		LEFT INSULATION
741	11123001		RIGHT INSULATION
1051	20410801		ACCESS COVER
NS	0130P00020		RELAY, SPST, 30A

<i>Image 2:</i>			
12	0121P00000P		COVER, CONTROL PANEL
22	0121P00030		SWITCH BRACKET
32	0130P00019		THERMOSTAT SWITCH
42	0130P00018		MODE SWITCH
52	0140P00019		OVERLAY
62	11042903		CONTROL KNOB (QTY 2)

Expanded Model Nomenclature

M1 - GMC073B35AQAA
M2 - GMC093B25AQAA
M3 - GMC093B35AQAA
M4 - GMC123B35AQAA
M5 - GMC123B50AQAA

Chassis/Heater



Chassis/Heater

Ref Part No:	Description:	Ref. Part No: No:	Description:
-----------------	--------------	----------------------	--------------

Image 1:

21	22312902	HEATER 3 2.5 KW ASSY (M2)
21	22312903	HEATER 3 3.5 KW ASSY (M1, M3, M4)
21	22312904	HEATER 3 5.0 KW ASSY (M5)
41	20403508	BASEPAN
41	20364804	BLOWER INTAKE
51	B20403802	EVAPORATOR PAD
101	0201P00002BND	COND ASSY
131	20515301	EXTERNAL INTAKE, BLOWER
131	20515304	INTAKE BLOWER
231	B20356703	BLOWER SCROLL
291	20401301	CONDENSER SHROUD
301	11044201	TIE BRACE
601	11123911	DISCHARGE SCREEN
641	20455902	GASKET .50X.25 NITRILE-PVC (QTY 5)
811	20455901	GASKET .62X.75 NITRILE-PVC (QTY 2)
1061	10839706	GASKET .50X.50 URETHANE (QTY 2)
1481	10839803	GASKET .12X.50 (QTY 2)
1501	20357001	SIDE COVER, CONDENSER (QTY 2)
1511	20396701	TOP COVER-CONDENSER

Expanded Model Nomenclature

M1 - GMC073B35AQAA
M2 - GMC093B25AQAA
M3 - GMC093B35AQAA
M4 - GMC123B35AQAA
M5 - GMC123B50AQAA