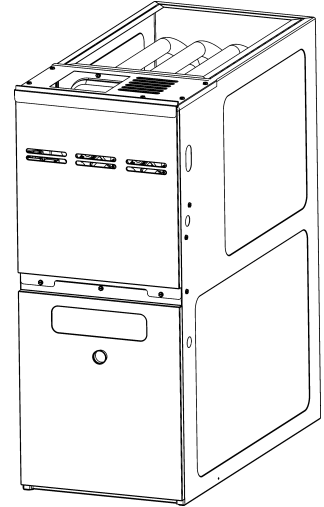




REPAIR PARTS

GM9S 80% Multi Position Furnace

GM9S800403AUAA
GM9S800603AUAA
GM9S800604BUAA
GM9S800804BUAA
GM9S800805CUAA



This manual is to be used by qualified technicians only.

© 2021 Goodman Manufacturing Company, L.P. ♦ 5151 San Felipe St, Suite 500 ♦ Houston, TX 77056

Important Information

Index

| | |
|------------------------------|-------|
| Functional Parts List | 3 |
| Illustration and Parts | 4 - 9 |

Views shown are for parts illustrations only, not servicing procedures.

Text Codes:

AR - As Required

NA - Not Available

NS - Not Shown

00000000 - See Note

QTY - Quantity Example (QTY 3) (If Quantity not shown, Quantity = 1)

M - Model Example (M1) (If M Code not shown, then part is used on all Models)

Expanded Model Nomenclature:

| |
|---|
| Example M1 - Model#1 M2 - Model#2 M3 - Model#3 |
|---|

Goodman Manufacturing Company, L.P. is not responsible for personal injury or property damage resulting from improper service. Review all service information before beginning repairs.

Warranty service must be performed by an authorized technician, using authorized factory parts. If service is required after the warranty expires, Goodman Manufacturing Company, L.P. also recommends contacting an authorized technician and using authorized factory parts.

Goodman Manufacturing Company, L.P. reserves the right to discontinue, or change at any time, specifications or designs without notice or without incurring obligations.

For assistance within the U.S.A. contact:
Homeowner Support
Goodman Manufacturing Company, L.P.
19001 Kermier Road
Waller, Texas 77484
877-254-4729-Telephone
713-863-2382-Facsimile

For assistance outside the U.S.A. contact:
International Division
Goodman Manufacturing Company, L.P.
19001 Kermier Road
Waller, Texas 77484
713-861-2500-Telephone
713-863-2382-Facsimile

Functional Parts

Part

No: Description:

| | |
|-------------|---|
| 0130F00802 | 80% PRESSURE TRANSDUCER |
| 0130F00762 | FLAME SENSOR |
| 0151M00094 | GAS VALVE, ULN |
| 10690402 | INTERLOCK SWITCH |
| 20162901 | LIMIT, PRIMARY (M1, M2, M3) |
| 0130F00067 | LIMIT, PRIMARY (M4, M5) |
| 0130F00038 | LIMIT, PRIMARY 120 LT BLUE |
| 0131F00300 | MOTOR PROGRAMMED (M1) |
| 0131F00301 | MOTOR PROGRAMMED (M2) |
| 0131F00302 | MOTOR PROGRAMMED (M3) |
| 0131F00303 | MOTOR PROGRAMMED (M4) |
| 0131F00304 | MOTOR PROGRAMMED (M5) |
| 0131F00114M | MOTOR, BLOWER 1 H.P W/O CONTROLLER (M5) |
| 0131F00112M | MOTOR, BLOWER 1/2 H.P W/O CONTROLLER (M1, M2) |
| 0131F00113M | MOTOR, BLOWER 3/4 H.P W/O CONTROLLER (M3, M4) |
| 0171M00010 | MOTOR, VENT ULN80 |
| PCBBF241 | PCB IGNITION HIS |
| 0130F00769 | SWITCH, HIGH LIMIT ULN (M3) |
| 0130F00770 | SWITCH, HIGH LIMIT ULN (M1) |
| 0130F00771 | SWITCH, HIGH LIMIT ULN (M2, M4) |
| 0130F00772 | SWITCH, HIGH LIMIT ULN (M5) |
| 0130M00140 | TRANSFORMER,(120V TO 24V,40VA, |
| 0130F00955 | ULN IGNITER |

SPECIAL PARTS

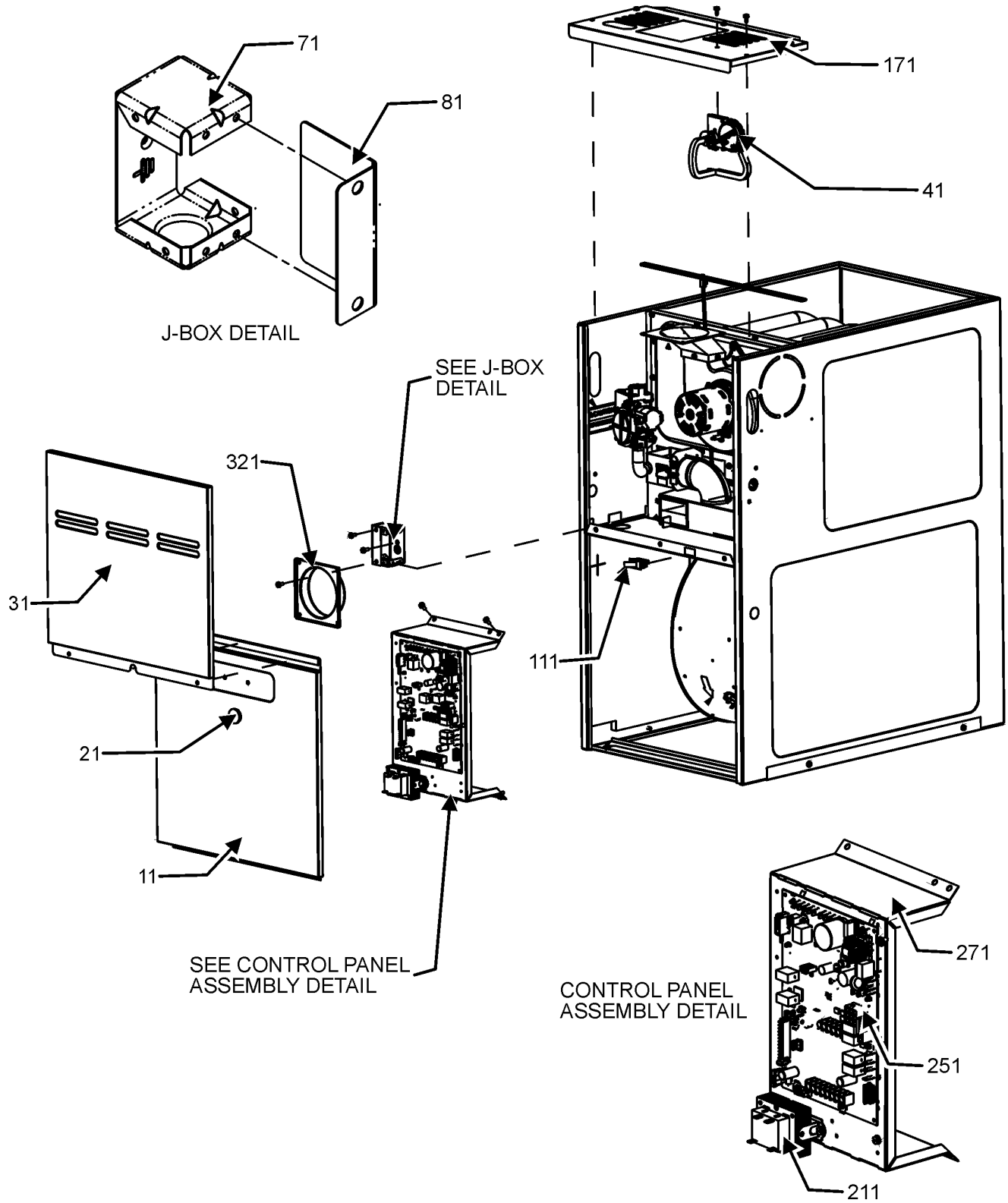
| | |
|-------------|---------------------------|
| HI-130 | HOMEOWNERS INSTRUCTIONS |
| IOG-2031 | INSTALLATION INSTRUCTIONS |
| 0161F00007 | NAMEPLATE, GOODMAN |
| PWGFURNSUNT | PRODUCT WARRANTY |

Expanded Model Nomenclature

| |
|---------------------|
| M1 - GM9S800403AUAA |
| M2 - GM9S800603AUAA |
| M3 - GM9S800604BUAA |
| M4 - GM9S800804BUAA |
| M5 - GM9S800805CUAA |

Cabinet and Control Panel Assembly

CABINET AND CONTROL PANEL ASSEMBLY



CABINET AND CONTROL PANEL ASSEMBLY MAY DIFFER FROM WHAT IS SHOWN

Cabinet and Control Panel Assembly

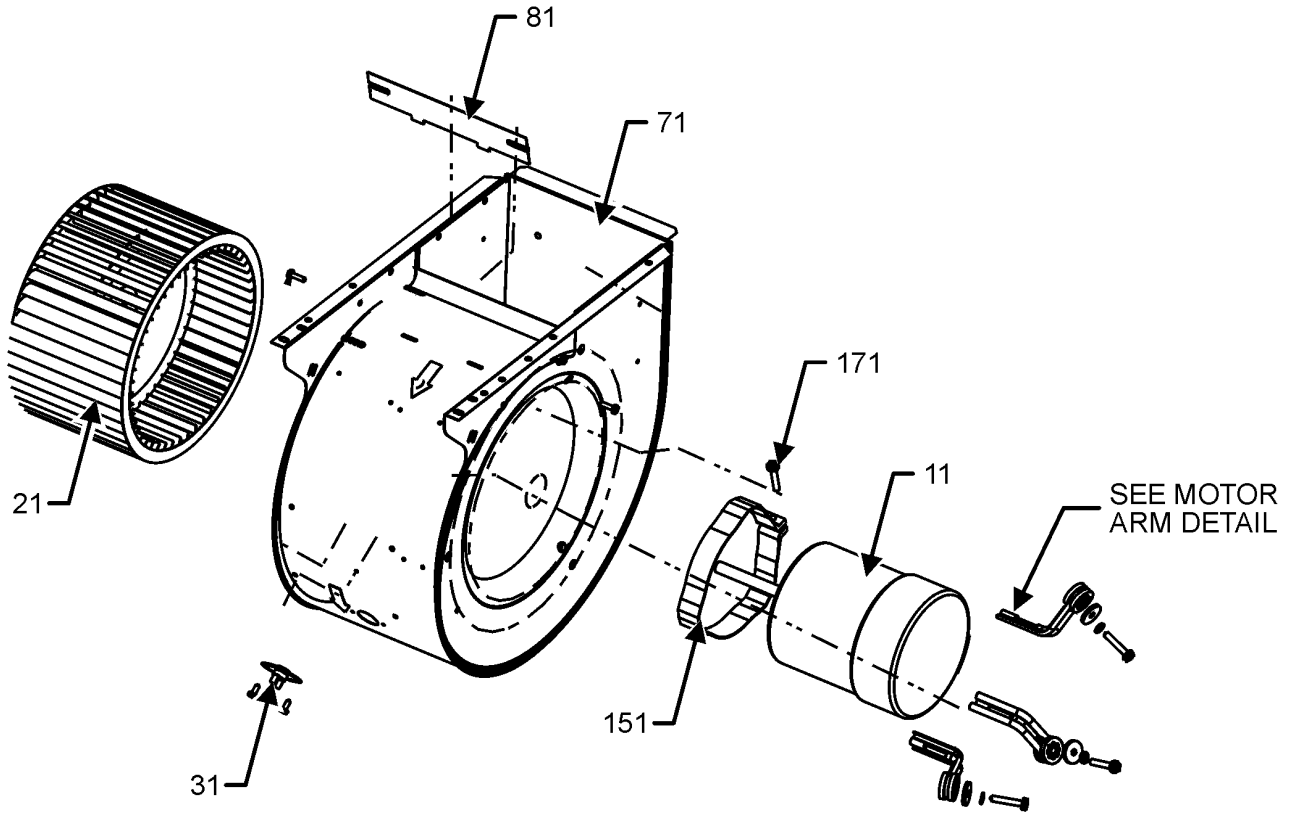
| Ref. Part No: | No: | Description: | Ref. Part No: | No: | Description: |
|-----------------|--------------|--|---------------|-----|--------------|
| Image 1: | | | | | |
| 11 | 0121F00122DG | DOOR, BLOWER, 14"-PAINTED (M1, M2) | | | |
| 11 | 0121F00123DG | DOOR, BLOWER, 17.5" PAINTED (M3, M4) | | | |
| 11 | 0121F00124DG | DOOR, BLOWER, 21"-PAINTED (M5) | | | |
| 21 | B1392139 | VIEW PORT BUSHING, CLEAR | | | |
| 31 | 0121F00118DG | DOOR CTRL ACCESS, 14"-PAINTED (M1, M2) | | | |
| 31 | 0121F00120DG | DOOR CTRL ACCESS, 21"-PAINTED (M5) | | | |
| 31 | 0121F00119DG | DOOR CTRL ACCESS, 17.5"-PAINTED (M3, M4) | | | |
| 41 | 0130F00802 | 80% PRESSURE TRANSDUCER | | | |
| 71 | 4014502 | J-BOX | | | |
| 81 | 4015502 | COVER, J-BOX | | | |
| 111 | 10690402 | INTERLOCK SWITCH | | | |
| 171 | 0121F00141DG | TOP, FURNACE 14"-PAINTED (M1, M2) | | | |
| 171 | 0121F00142DG | TOP, FURNACE 17.5"-PAINTED (M3, M4) | | | |
| 171 | 0121F00143DG | TOP, FURNACE 21"-PAINTED (M5) | | | |
| 211 | 0130M00140 | TRANSFORMER, (120V TO 24V, 40VA, | | | |
| 251 | PCBBF241 | PCB IGNITION HIS | | | |
| 271 | 0121F00794 | MOUNTING PLATE CONTROLS | | | |
| 321 | 4023500 | CHIMNEY TRANSITION TOP | | | |
| NS | HI-130 | HOMEOWNERS INSTRUCTIONS | | | |
| NS | IOG-2031 | INSTALLATION INSTRUCTIONS | | | |
| NS | 0161F00007 | NAMEPLATE, GOODMAN | | | |
| NS | PWGFURNSUNT | PRODUCT WARRANTY | | | |

Expanded Model Nomenclature

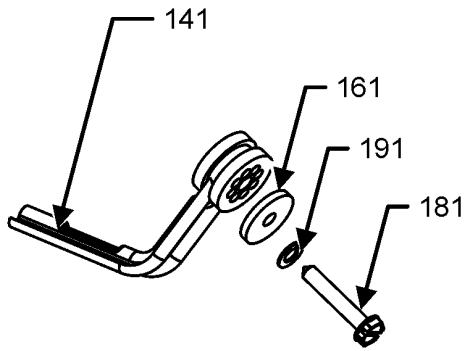
- | |
|---------------------|
| M1 - GM9S800403AUAA |
| M2 - GM9S800603AUAA |
| M3 - GM9S800604BUAA |
| M4 - GM9S800804BUAA |
| M5 - GM9S800805CUAA |

Blower Assembly

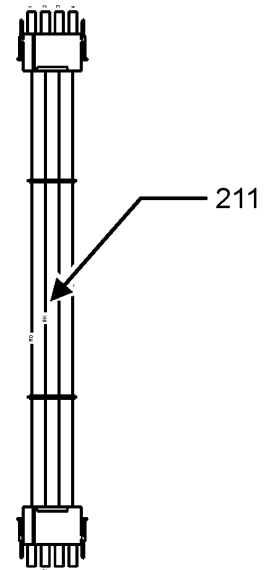
BLOWER ASSEMBLY



LIMIT LOCATION MAY DIFFER FROM WHAT IS SHOWN



MOTOR ARM DETAIL



BLOWER ASSEMBLY MAY DIFFER FROM WHAT IS SHOWN

Blower Assembly

| Ref. Part No: | Ref. Part No: | Description: | Description: |
|---------------|---------------|--------------|--------------|
|---------------|---------------|--------------|--------------|

Image 1:

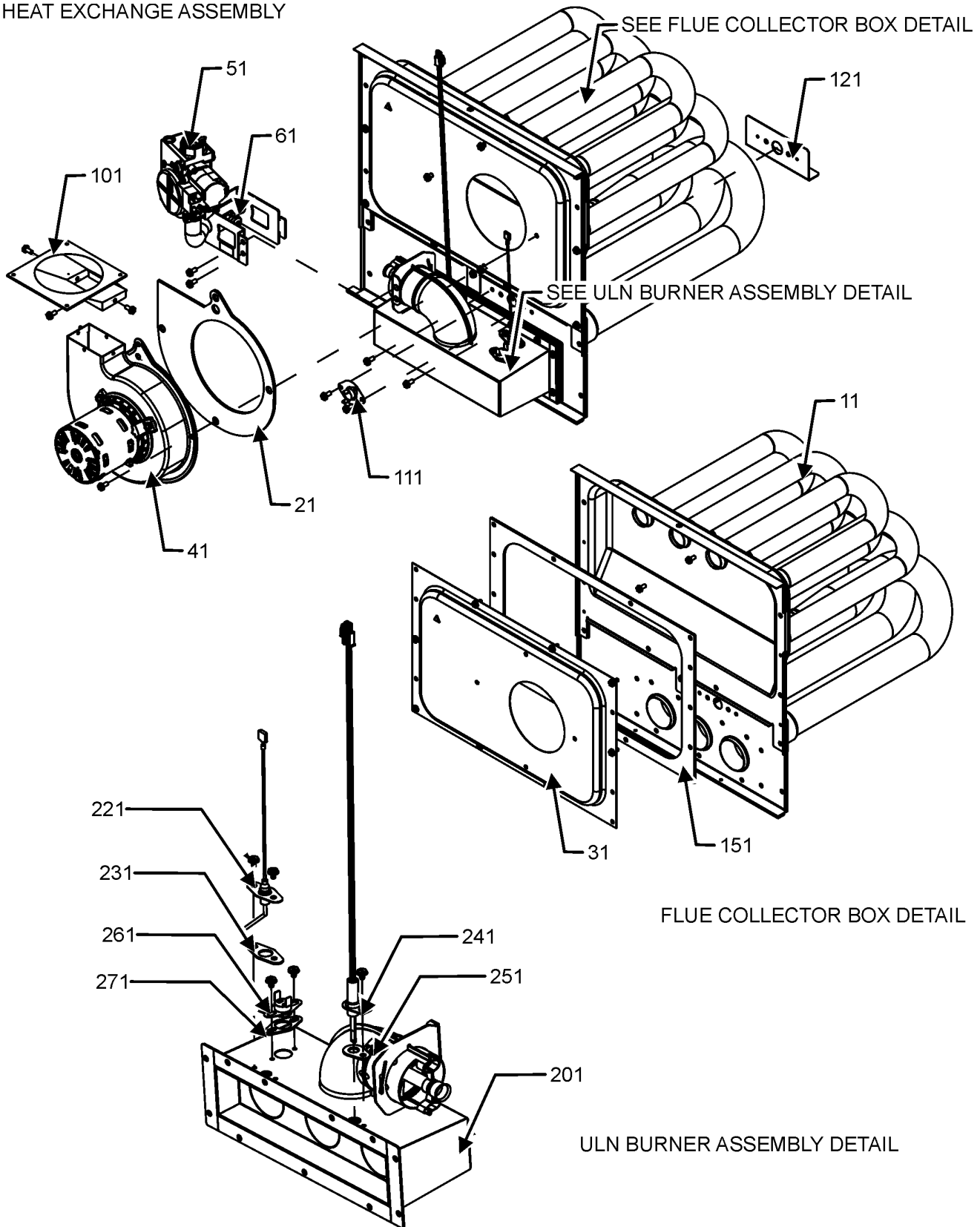
| | | |
|-----|-------------|---|
| 11 | 0131F00300 | MOTOR PROGRAMMED (M1) |
| 11 | 0131F00301 | MOTOR PROGRAMMED (M2) |
| 11 | 0131F00302 | MOTOR PROGRAMMED (M3) |
| 11 | 0131F00303 | MOTOR PROGRAMMED (M4) |
| 11 | 0131F00304 | MOTOR PROGRAMMED (M5) |
| 11 | 0131F00114M | MOTOR, BLOWER 1 H.P W/O CONTROLLER (M5) |
| 11 | 0131F00112M | MOTOR, BLOWER 1/2 H.P W/O CONTROLLER (M1, M2) |
| 11 | 0131F00113M | MOTOR, BLOWER 3/4 H.P W/O CONTROLLER (M3, M4) |
| 21 | B1368034 | BLOWER WHEEL (10 X 6) (M1, M2) |
| 21 | 0150M00042 | WHEEL, BLOWER (10 X 10) (M5) |
| 21 | 0150M00043 | WHEEL, BLOWER (10 X 8) (M3, M4) |
| 31 | 0130F00038 | LIMIT, PRIMARY 120 LT BLUE |
| 71 | 2539307 | BLWR SHL ASM 10X10 10X10 (M5) |
| 71 | 2539305 | BLWR SHL ASM 10X6 10X6 (M1, M2) |
| 71 | 2539306 | BLWR SHL ASM 10X8 10X8 (M3, M4) |
| 81 | 764741 | BLWR BLK-OFF, 10X10 (M5) |
| 81 | 764739 | BLWR BLK-OFF, 10X6 (M1, M2) |
| 81 | 764740 | BLWR BLK-OFF, 10X8 (M3, M4) |
| 141 | 0163M00538 | MOUNT ARM, MOTOR (QTY 3) |
| 151 | 0121M00039 | MOTOR MOUNT BAND (HEAVY DUTY) |
| 161 | B1392918 | WASHER, FLAT 1/4 ID X 1 OD (QTY 3) |
| 171 | 0163M00320 | HEX HEAD ALL THREAD TAP BOLT |
| 181 | M0250565 | SCREW-TC 1.25" (QTY 3) |
| 191 | B1393800 | LOCK NUT NYLON IINISERT 1/4 20 |
| 211 | 0159F00119 | CTM, MOTOR HARNESS |

Expanded Model Nomenclature

| |
|---------------------|
| M1 - GM9S800403AUAA |
| M2 - GM9S800603AUAA |
| M3 - GM9S800604BUAA |
| M4 - GM9S800804BUAA |
| M5 - GM9S800805CUAA |

Heat Exchange Assembly

HEAT EXCHANGE ASSEMBLY



HEAT EXCHANGE ASSEMBLY MAY DIFFER FROM WHAT IS SHOWN

Heat Exchange Assembly

| Ref. Part No: | Part No: | Description: | Ref. Part No: | Part No: | Description: |
|-----------------|-------------|---------------------------------------|---------------|----------|--------------|
| Image 1: | | | | | |
| 11 | 0270F03775 | ASSY, EXCHANGER, HEAT (M5) | | | |
| 11 | 0270F03773 | ASSY., HEAT EXCHANGER (M3) | | | |
| 11 | 0270F03774 | ASSY., HEAT EXCHANGER (M1) | | | |
| 11 | 0270F04357 | ASSY., HEAT EXCHANGER (M2) | | | |
| 11 | 0270F04358 | ASSY., HEAT EXCHANGER (M4) | | | |
| 21 | 0154F00048 | GASKET, 14 INCH (M1, M2) | | | |
| 21 | 0154F00049 | GASKET, 17.5 INCH (M3, M4) | | | |
| 21 | 0154F00050 | GASKET, 21 INCH (M5) | | | |
| 31 | 0121F00333 | 21" COLLECTOR BOX 1.75" DIA (M5) | | | |
| 31 | 0121F00126 | COLLECTOR BOX 14" 1.375 DIA (M1, M2) | | | |
| 31 | 0121F00128 | COLLECTOR BOX 17.5" 1.75 DIA (M3, M4) | | | |
| 41 | 0171M00010 | MOTOR, VENT ULN80 | | | |
| 51 | 0151M00094 | GAS VALVE, ULN | | | |
| 61 | 0263F00004 | ASSY., MANIFOLD (M1) | | | |
| 61 | 0263F00005 | ASSY., MANIFOLD (M2, M3) | | | |
| 61 | 0263F00006 | ASSY., MANIFOLD (M4, M5) | | | |
| 101 | 0128F00006 | TRANSITION, BOTTOM | | | |
| 111 | 0130F00067 | LIMIT, PRIMARY (M4, M5) | | | |
| 111 | 20162901 | LIMIT, PRIMARY (M1, M2, M3) | | | |
| 121 | 0121F00439 | HEAT SHEILD PRIMARY LIMIT | | | |
| 151 | 0154F00084 | GASKET, PART PANEL (M1, M2) | | | |
| 151 | 0154F00085 | GASKET, PART PANEL (M3, M4) | | | |
| 151 | 0154F00086 | GASKET, PART PANEL (M5) | | | |
| 201 | 0163F00023 | BURNER, BECKETT 2B (M1) | | | |
| 201 | 0163F00024 | BURNER, BECKETT 3B (M2, M3) | | | |
| 201 | 0163F00025 | BURNER, BECKETT 4B (M4, M5) | | | |
| 221 | 0130F00762 | FLAME SENSOR | | | |
| 231 | 0154F00068 | GASKET ULN FLAME SENSOR | | | |
| 241 | 0130F00955 | ULN IGNITER | | | |
| 251 | 0154F00067 | GASKET ULN IGNITOR | | | |
| 261 | 0130F00769 | SWITCH, HIGH LIMIT ULN (M3) | | | |
| 261 | 0130F00770 | SWITCH, HIGH LIMIT ULN (M1) | | | |
| 261 | 0130F00771 | SWITCH, HIGH LIMIT ULN (M2, M4) | | | |
| 261 | 0130F00772 | SWITCH, HIGH LIMIT ULN (M5) | | | |
| 271 | 0154F00069 | GASKET LIMIT ULN | | | |
| NS | 0154F00093 | BURNER GASKET-INSULATION (M1) | | | |
| NS | 0154F00094 | BURNER GASKET-INSULATION (M2, M3) | | | |
| NS | 0154F00095 | BURNER GASKET-INSULATION (M4, M5) | | | |
| NS | DY6.186.070 | VENT MOTOR CAPACITOR | | | |
| NS | 0159F00146 | WIRE HARNESS | | | |

Expanded Model Nomenclature

- | |
|---------------------|
| M1 - GM9S800403AUAA |
| M2 - GM9S800603AUAA |
| M3 - GM9S800604BUAA |
| M4 - GM9S800804BUAA |
| M5 - GM9S800805CUAA |