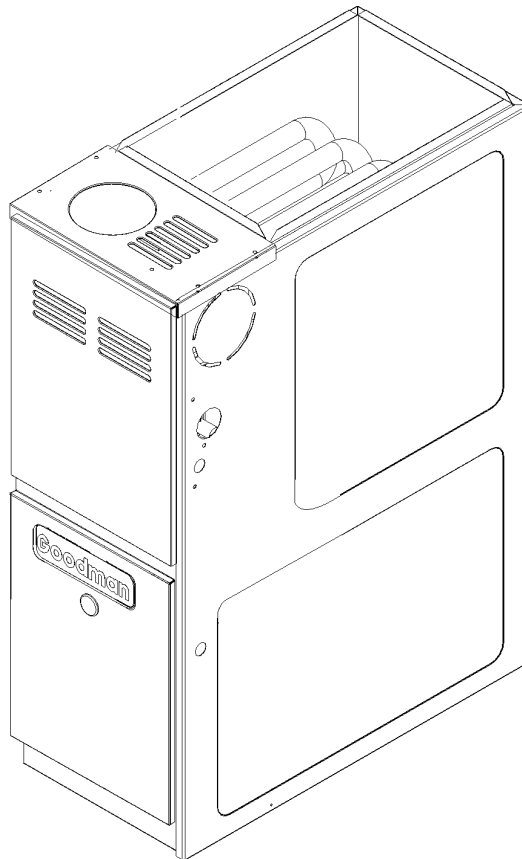




REPAIR PARTS

GHS8 High Air Flow Single-Stage Multi-Speed Furnace

GHS80453ANAA
GHS80453AXAA
GHS80453AXBA
GHS80453AXBB
GHS80453AXBC
GHS80453AXBD
GHS80704BNAA
GHS80704BXAA
GHS80704BXBA
GHS80704BXBB
GHS80704BXBC
GHS80704BXBD
GHS80905CNAA
GHS80905CXAA
GHS80905CXBA
GHS80905CXBB
GHS80905CXBC
GHS80905CXBD



Goodman Manufacturing Company, L.P.
5151 San Felipe, Suite 500
Houston, TX 77056

www.goodmanmfg.com

RP-244F
August 2007

Important Information

Index

Functional Parts List	3
Illustration and Parts	4 - 13

Views shown are for parts illustrations only, not servicing procedures

Rev. F: Added models GHS80453AXB, GHS80704B, and GHS80905C.

Text Codes:

AR - As Required

NA - Not Available

NS - Not Shown

00000000 - See Note

QTY - Quantity Example (QTY 3) (If Quantity not shown, Quantity = 1)

M - Model Example (M1) (If M Code not shown, then part is used on all Models)

Expanded Model Nomenclature:

Example M1 - Model#1 M2 - Model#2 M3 - Model#3

Goodman Manufacturing Company, L.P. is not responsible for personal injury or property damage resulting from improper service. Review all service information before beginning repairs.

Warranty service must be performed by an authorized technician, using authorized factory parts. If service is required after the warranty expires, Goodman Manufacturing Company, L.P. also recommends contacting an authorized technician and using authorized factory parts.

Goodman Manufacturing Company, L.P. reserves the right to discontinue, or change at any time, specifications or designs without notice or without incurring obligations.

For assistance within the U.S.A. contact:
Consumer Affairs Department
Goodman Manufacturing Company, L.P.
7401 Security Way
Houston, Texas 77040
877-254-4729-Telephone
713-863-2382-Facsimile

For assistance outside the U.S.A. contact:
International Division
Goodman Manufacturing Company, L.P.
7401 Security Way
Houston, Texas 77040
713-861-2500-Telephone
713-863-2382-Facsimile

Functional Parts

Part No: **Description:**

Part No:	Description:		
B4068404		B4068404	WIRE HARNESS ASSY, IGNITOR 2-PIN
B1370155	AUXILIARY LIMIT SWITCH 120°F		
CAP125000370RPS	CAPACITOR 12.5/370V (M7, M8, M9, M10, M11, M12, M13, M14, M15, M16, M17, M18)		
CAP200000370RPS	CAPACITOR 20/370V (M1, M2, M3, M4, M5, M6)		
0130F00010	FLAME SENSOR		
B4026005	GAS MANIFOLD 2 CELL (M1, M2, M3, M6)		
B4026005	GAS MANIFOLD 2 CELL (M4, M5)		
B4026006	GAS MANIFOLD 3 CELL (M7, M8, M9, M12)		
B4026006	GAS MANIFOLD 3 CELL (M10, M11)		
B4026007	GAS MANIFOLD 4 CELL (M13, M14, M15)		
B4026007	GAS MANIFOLD 4 CELL (M16, M17, M18)		
B1282628	GAS VALVE (36G) (M4, M5, M10, M11, M16, M17, M18)		
B1282628	GAS VALVE (36G) (M1, M2, M3, M6, M7, M8, M9, M12, M13, M14, M15)		
4021300S	HEAT EXCHANGER SUB-ASSY 2 CELL 14" (M1, M2, M3, M4, M5, M6)		
4021308S	HEAT EXCHANGER SUB-ASSY 3 CELL 17.5" (M7, M8, M9, M10, M11, M12)		
4021310S	HEAT EXCHANGER SUB-ASSY 4 CELL 21" (M13, M14, M15, M16, M17, M18)		
PCBBF112S	IGNITION BOARD, HSI INTEGRATED		
20165703S	IGNITOR		
B4022700	INSHOT BURNER ASSY 3" (QTY AR)		
B1370818	INTERLOCK SWITCH		
B1340024S	MOTOR 1/2 HP, 4 SP, 6 PL (M1, M2, M3, M4, M5, M6)		
B1340023S	MOTOR, DIRECT DRIVE 3/4 HP (M7, M8, M9, M10, M11, M12, M13, M14, M15, M16, M17, M18)		
10716003	ORIFICE (M1, M2, M3, M6, M7, M8, M9, M12, M13, M14, M15)		
10716003	ORIFICE (M4, M5, M10, M11, M16, M17, M18)		
B1370142	PRESSURE SWITCH 0.60" WC (M1, M2, M3, M4, M5, M6, M7, M8, M9, M16, M17, M18)		
B1370158	PRESSURE SWITCH -0.70" WC (M13, M14, M15)		
B1370176	PRESSURE SWITCH 47 SP (M10, M11, M12)		
B1370198	PRIMARY LIMIT SWITCH 150°F (M7, M8, M9, M12)		
B1370198	PRIMARY LIMIT SWITCH 150°F (M10, M11)		
B1370199	PRIMARY LIMIT SWITCH 190°F (M4, M5)		
B1370199	PRIMARY LIMIT SWITCH 190°F (M1, M2, M3, M6)		
B1370189	PRIMARY LIMIT SWITCH 200°F (M13, M14, M15)		
B1370189	PRIMARY LIMIT SWITCH 200°F (M16, M17, M18)		
B1370145	ROLLOUT SWITCH, 300 W/O BRACKET (QTY 2)		
B1141605	TRANSFORMER 120V TO 24V, 40VA		
0131M00002S	VENT MOTOR (M1, M2, M3, M6, M7, M8, M9, M12, M13, M14, M15)		
0131F00006S	VENT MOTOR, SINGLE STAGE ROUNDNOSE (M4, M5, M10, M11, M16, M17, M18)		
0259F00006P	WIRE HARNESS ASSY, 12-PIN		

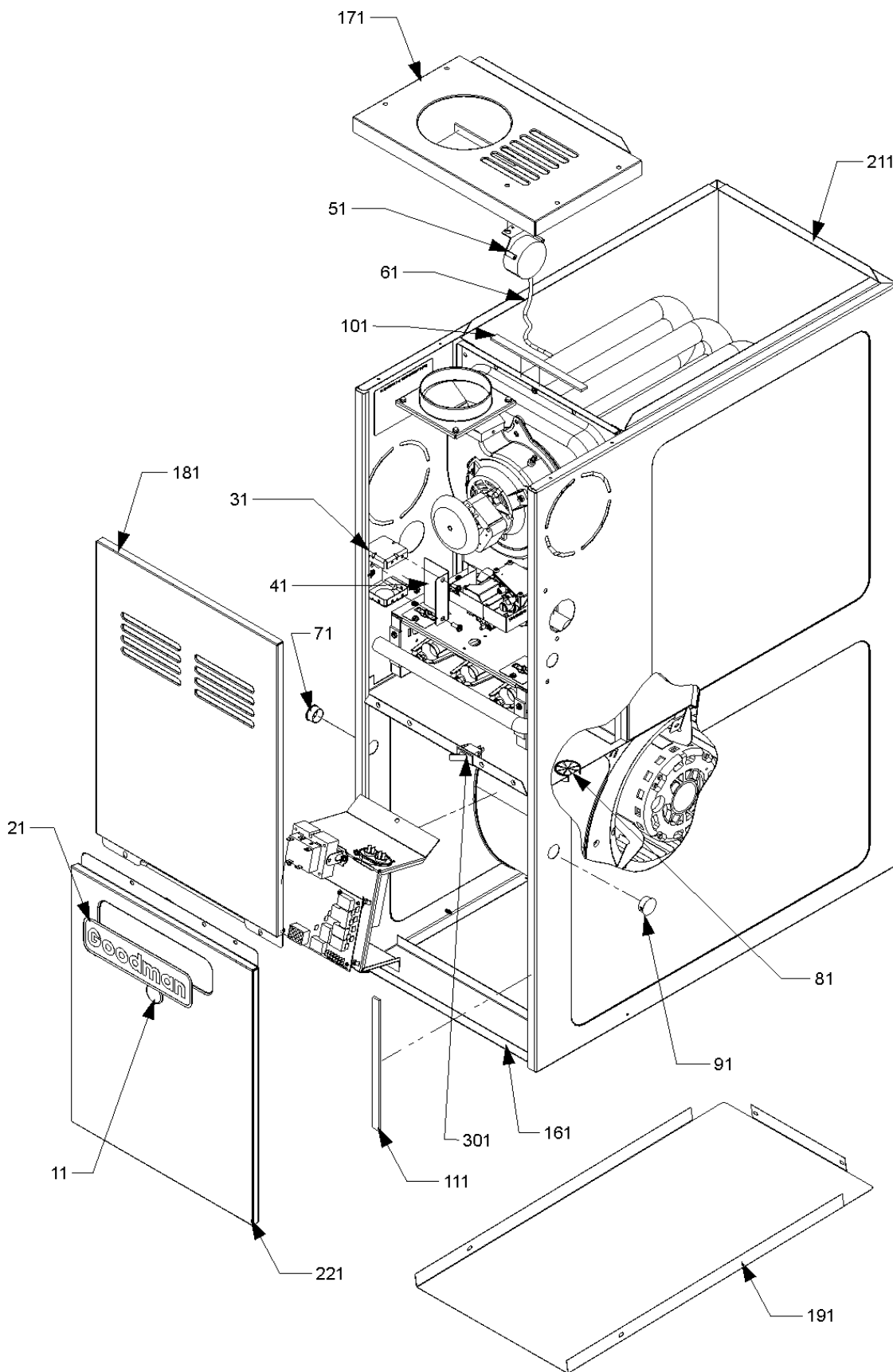
SPECIAL PARTS

IO-294A	INSTALLATION INSTRUCTIONS (M3, M4, M5, M6, M9, M10, M11, M12, M15, M16, M17, M18)
IO-242D	INSTALLATION INSTRUCTIONS (M1, M2, M7, M8, M13, M14)
IO-669	INSTALLATION INSTRUCTIONS-HUMIDIFIER (M3, M4, M5, M6, M9, M10, M11, M12, M15, M16, M17, M18)
0161F00000P	NAMEPLATE
RP-244F	REPAIR PARTS MANUAL
HI-115A	USERS MANUAL

Expanded Model Nomenclature

M1 - GHS80453ANAA
M2 - GHS80453AXAA
M3 - GHS80453AXBA
M4 - GHS80453AXBB
M5 - GHS80453AXBC
M6 - GHS80453AXBD
M7 - GHS80704BNAA
M8 - GHS80704BXAA
M9 - GHS80704BXBA
M10 - GHS80704BXBB
M11 - GHS80704BXBC
M12 - GHS80704BXBD
M13 - GHS80905CNAA
M14 - GHS80905CXAA
M15 - GHS80905CXBA
M16 - GHS80905CXBB
M17 - GHS80905CXBC
M18 - GHS80905CXBD

Cabinet



Cabinet

Ref Part No:	Description:	Ref. Part No:	Description:
<i>Image 1:</i>		Expanded Model Nomenclature	
11	A3468601	PRESSURE SWITCH HOSE	M1 - GHS80453ANAA
11	B1392139	VIEW PORT BUSHING	M2 - GHS80453AXAA
21	0161F00000P	NAMEPLATE	M3 - GHS80453AXBA
31	4014502	J-BOX	M4 - GHS80453AXBB
41	4015502	J-BOX COVER	M5 - GHS80453AXBC
51	B1370142	PRESSURE SWITCH 0.60" WC (M1, M2, M3, M4, M5, M6, M7, M8, M9, M16, M17, M18)	M6 - GHS80453AXBD
51	B1370158	PRESSURE SWITCH -0.70" WC (M13, M14, M15)	M7 - GHS80704BNAA
51	B1370176	PRESSURE SWITCH 47 SP (M10, M11, M12)	M8 - GHS80704BXAA
71	B1392104	UNIVERSAL BUSHING UB 875	M9 - GHS80704BXBA
81	B1392147	UNIVERSAL BUSHING WITH SLICE	M10 - GHS80704BXBB
91	B1392019	PLASTIC PLUG .875" DIA	M11 - GHS80704BXBC
101	B13926111	SEAL STRIP 1/8 X 1/2 X 14 (M4, M6)	M12 - GHS80704BXBD
101	B13926113	SEAL STRIP 1/8 X 1/2 X 21 (M13, M14, M15, M16, M17, M18)	M13 - GHS80905CNAA
111	B13926112	SEAL STRIP 1/8 X 1/2 X 17.5 (M1, M2, M3, M5, M7, M8, M9, M10, M11, M12, M13, M14, M15, M16, M17, M18)	M14 - GHS80905CXAA
161	4009004	BOTTOM TIE PLATE 14" (M1, M2, M3, M4, M5, M6)	M15 - GHS80905CXBA
161	4009005	BOTTOM TIE PLATE 17.5" (M7, M8, M9, M10, M11, M12)	M16 - GHS80905CXBB
161	4009006	BOTTOM TIE PLATE 21" (M13, M14, M15, M16, M17, M18)	M17 - GHS80905CXBC
171	0221F00000PDG	TOP 14" (M1, M2, M3, M4, M5, M6)	M18 - GHS80905CXBD
171	0221F00001PDG	TOP 17.5" (M7, M8, M9, M10, M11, M12)	
171	0221F00002PDG	TOP 21" (M13, M14, M15, M16, M17, M18)	
181	0221F00004PDG	ACCESS DOOR 14" (M1, M2, M3, M4, M5, M6)	
181	0221F00005PDG	ACCESS DOOR 17.5" (M7, M8, M9, M10, M11, M12)	
181	0221F00006PDG	ACCESS DOOR 21" (M13, M14, M15, M16, M17, M18)	
191	1819000	SOLID BOTTOM 14" CASE (M1, M2, M5, M6)	
191	1819001	SOLID BOTTOM 17.5" CASE (M7, M8, M11, M12)	
191	1819002	SOLID BOTTOM 21" CASE (M13, M14, M17, M18)	
211	0270F00010P	INSULATED ASSY, WRAPPER 14" (M1, M2, M5, M6)	
211	0270F00456	INSULATED ASSY, WRAPPER 14" (M3, M4)	
211	0270F00011P	INSULATED ASSY, WRAPPER 17.5" (M7, M8, M11, M12)	
211	0270F00457	INSULATED ASSY, WRAPPER 17.5" (M9, M10)	
211	0270F00012P	INSULATED ASSY, WRAPPER 21" (M13, M14, M17, M18)	
211	0270F00458	INSULATED ASSY, WRAPPER 21" (M15, M16)	
221	0221F00011PDG	BLOWER DOOR 14" (M1, M2, M3, M4, M5, M6)	
221	0221F00012PDG	BLOWER DOOR 17.5" (M7, M8, M9, M10, M11, M12)	
221	0221F00013PDG	BLOWER DOOR 21" (M13, M14, M15, M16, M17, M18)	
301	B1370818	INTERLOCK SWITCH	
NS	0259F00006P	WIRE HARNESS ASSY, 12-PIN	

Blower Assy/Control Panel

Image 1

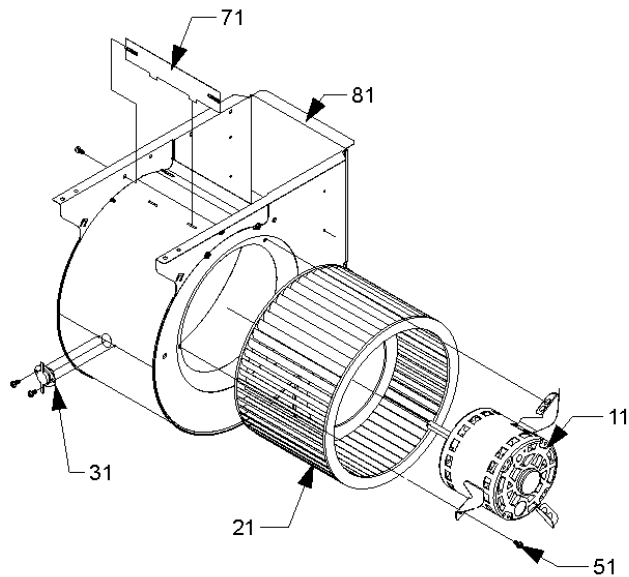
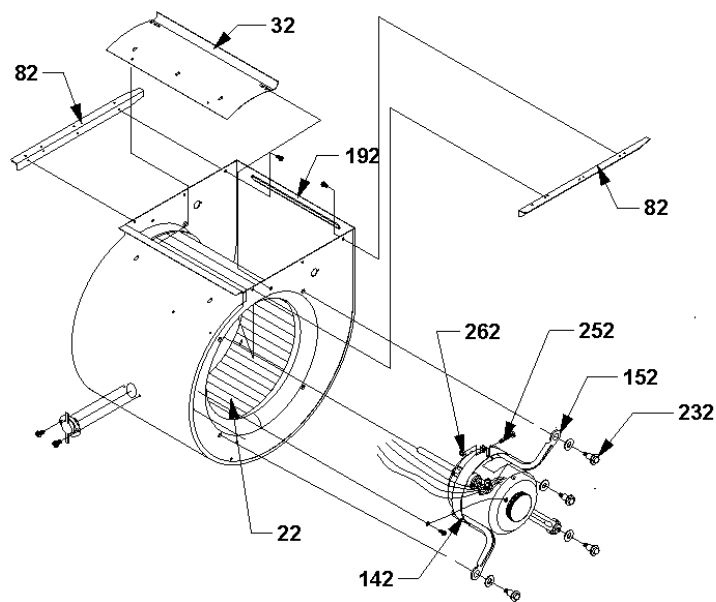


Image 2



Blower Assy/Control Panel

Ref Part No:	Description:	Ref. Part No:	Description:
<i>Image 1:</i>		Expanded Model Nomenclature	
11	B1340024S MOTOR 1/2 HP, 4 SP, 6 PL (M1, M2, M3, M4, M5, M6)	M1 - GHS80453ANAA	
21	B1368034S BLOWER WHEEL 10 X 6 (M1, M2, M3, M4, M5, M6)	M2 - GHS80453AXAA	
21	B1368016S BLOWER WHEEL 10 X 8 (M7, M8, M9, M10, M11, M12)	M3 - GHS80453AXBA	
31	B1370155 AUXILIARY LIMIT SWITCH 120°F	M4 - GHS80453AXBB	
51	B1393331 MACHINE SCREW, 1/4-20 TYPE F SLOTTED (M1, M2, M3, M4, M5, M6)	M5 - GHS80453AXBC	
71	764739 BLOWER BLOCK-OFF 10 X 6 (M1, M2, M3, M4, M5, M6)	M6 - GHS80453AXBD	
71	764740F BLOWER BLOCK-OFF 10 X 8 (M7, M8, M9, M10, M11, M12)	M7 - GHS80704BNAA	
81	2539305S BLOWER SHELL ASSY 10 X 6 (M1, M2, M3, M4, M5, M6)	M8 - GHS80704BXAA	
81	2539306S BLOWER SHELL ASSY 10 X 8 (M7, M8, M9, M10, M11, M12)	M9 - GHS80704BXBA	
<i>Image 2:</i>		M10 - GHS80704BXBB	
12	B1340023S MOTOR, DIRECT DRIVE 3/4 HP (M7, M8, M9, M10, M11, M12, M13, M14, M15, M16, M17, M18)	M11 - GHS80704BXBC	
22	B1368000S BLOWER WHEEL 11 X 10 (M13, M14, M15, M16, M17, M18)	M12 - GHS80704BXBD	
32	1864700 BLOWER CUT-OFF 10 X 10 (M13, M14, M15, M16, M17, M18)	M13 - GHS80905CNAA	
82	2517101 SIDE ANGLE, BLOWER MOUNTING (M13, M14, M15, M16, M17, M18)	M14 - GHS80905CXAA	
142	0121M00038 MOTOR MOUNT BAND (M13, M14, M15, M16, M17, M18)	M15 - GHS80905CXBA	
142	0121M00039 MOTOR MOUNT BAND (HEAVY DUTY) (M7, M8, M9, M10, M11, M12)	M16 - GHS80905CXBB	
152	B1376857 MOTOR MOUNT ARM (M13, M14, M15, M16, M17, M18)	M17 - GHS80905CXBC	
152	B1376863 MOTOR MOUNT ARM (HEAVY DUTY) (M7, M8, M9, M10, M11, M12)	M18 - GHS80905CXBD	
192	2539302S BLOWER SHELL ASSY 11 X 10 (M13, M14, M15, M16, M17, M18)		
232	B1393527 SCREW, HWH, 14X1-1/2, A, BZ, SLOTTED (M7, M8, M9, M10, M11, M12, M13, M14, M15, M16, M17, M18)		
252	B1393323 MACHINE SCREW HWH 1/4-20X1 1/2 BZ (M7, M8, M9, M10, M11, M12, M13, M14, M15, M16, M17, M18)		
262	B1393800 LOCKNUT, NYLON, INSERT 1/4, 20 (M7, M8, M9, M10, M11, M12, M13, M14, M15, M16, M17, M18)		

Heat Exchanger Assy/Flue Collector Box w/ Separate Chimney Assy

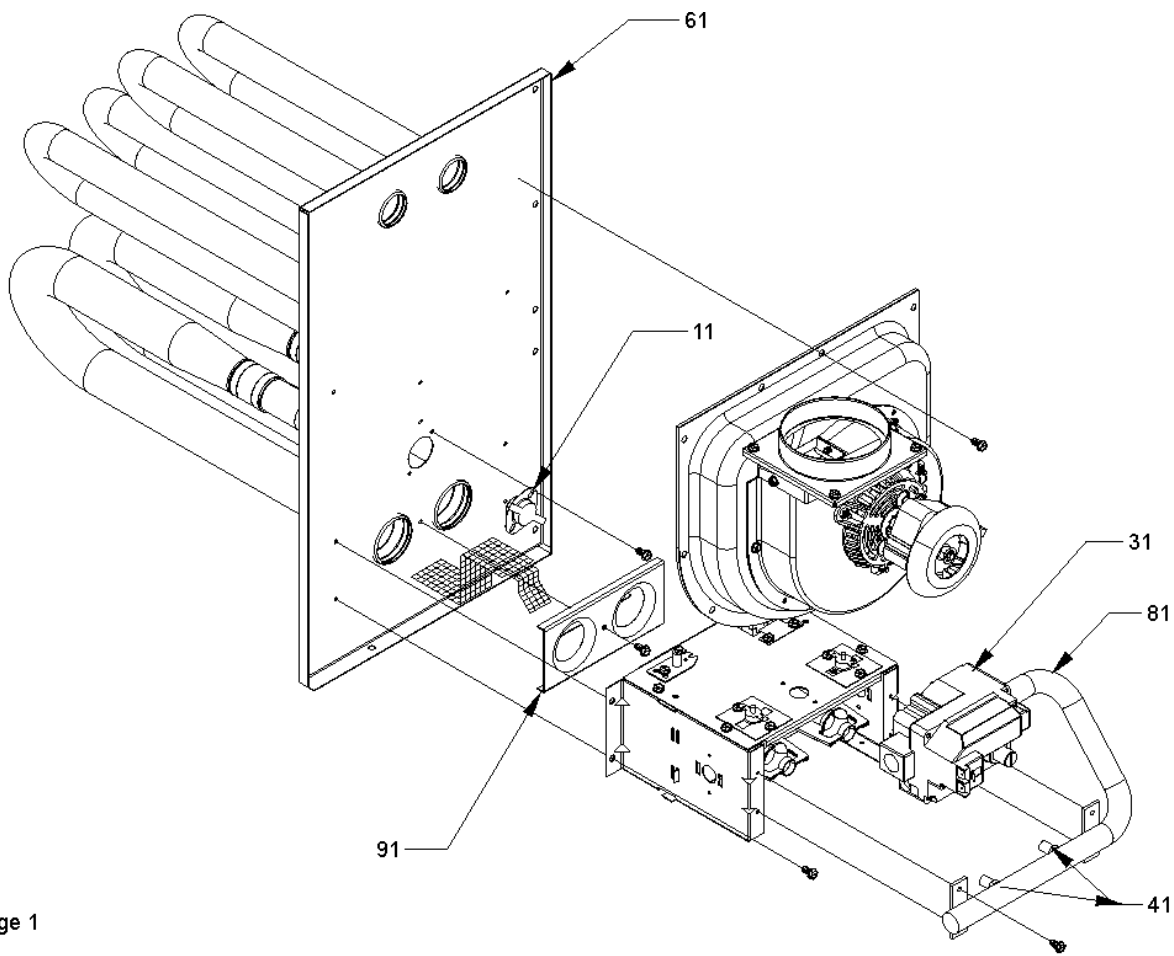
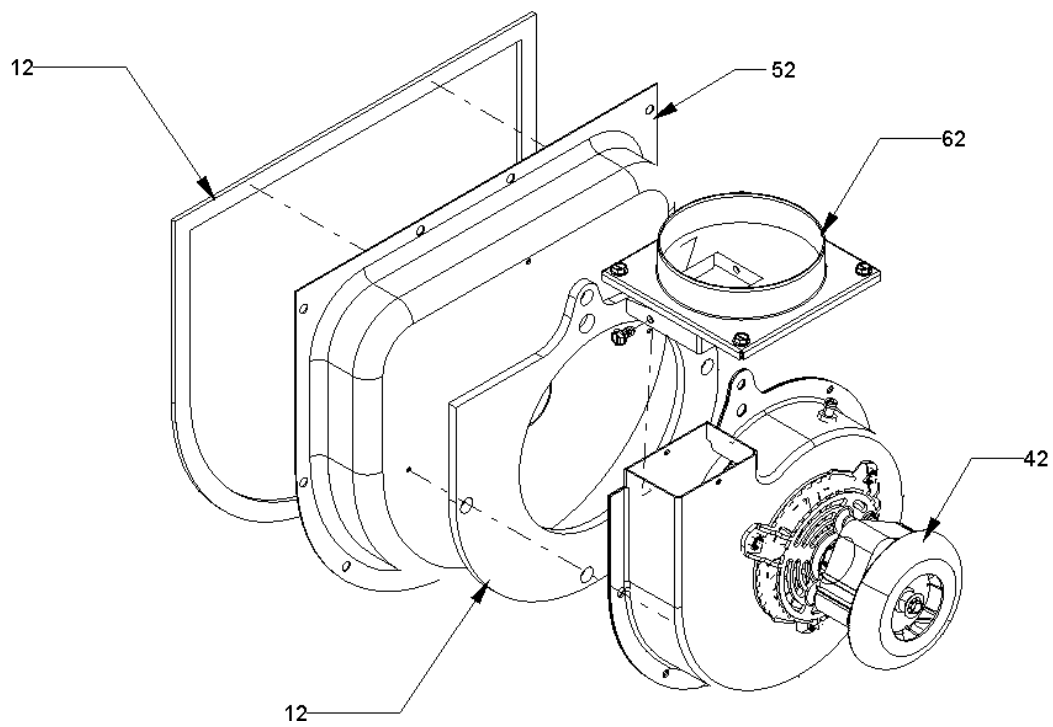


Image 1

Image 2



Heat Exchanger Assy/Flue Collector Box w/ Separate Chimney Assy

Ref Part No:	Description:	Ref. Part No:	Description:
<i>Image 1:</i>		Expanded Model Nomenclature	
11	B1370198 PRIMARY LIMIT SWITCH 150°F (M7, M8, M9, M12)	M1	- GHS80453ANAA
11	B1370199 PRIMARY LIMIT SWITCH 190°F (M1, M2, M3, M6)	M2	- GHS80453AXAA
11	B1370189 PRIMARY LIMIT SWITCH 200°F (M13, M14, M15)	M3	- GHS80453AXBA
31	B1282628 GAS VALVE (36G) (M1, M2, M3, M6, M7, M8, M9, M12, M13, M14, M15)	M4	- GHS80453AXBB
41	10716003 ORIFICE (M1, M2, M3, M6, M7, M8, M9, M12, M13, M14, M15)	M5	- GHS80453AXBC
61	4021300S HEAT EXCHANGER SUB-ASSY 2 CELL 14" (M1, M2, M3, M6)	M6	- GHS80453AXBD
61	4021308S HEAT EXCHANGER SUB-ASSY 3 CELL 17.5" (M7, M8, M9, M12)	M7	- GHS80704BNAA
61	4021310S HEAT EXCHANGER SUB-ASSY 4 CELL 21" (M13, M14, M15)	M8	- GHS80704BXAA
81	B4026005 GAS MANIFOLD 2 CELL (M1, M2, M3, M6)	M9	- GHS80704BXBA
81	B4026006 GAS MANIFOLD 3 CELL (M7, M8, M9, M12)	M10	- GHS80704BXBB
81	B4026007 GAS MANIFOLD 4 CELL (M13, M14, M15)	M11	- GHS80704BXBC
91	4028000 ORIFICE PLATE 2 CELL (M1, M2, M3, M6)	M12	- GHS80704BXBD
91	4028001 ORIFICE PLATE 3 CELL (M7, M8, M9, M12)	M13	- GHS80905CNAA
91	4028002 ORIFICE PLATE 4 CELL (M13, M14, M15)	M14	- GHS80905CXAA
		M15	- GHS80905CXBA
		M16	- GHS80905CXBB
		M17	- GHS80905CXBC
		M18	- GHS80905CXBD
<i>Image 2:</i>			
12	B1392633 VENT MOTOR GASKET 14" (M1, M2, M3, M6)		
12	B1392634 VENT MOTOR GASKET 17.5" (M7, M8, M9, M12)		
12	B1392635 VENT MOTOR GASKET 21" (M13, M14, M15)		
42	0131M00002S VENT MOTOR (M1, M2, M3, M6, M7, M8, M9, M12, M13, M14, M15)		
52	4010012S FLUE COLLECTOR BOX 14.0" 1.500 MOD A (M1, M2, M3, M6)		
52	4010014S FLUE COLLECTOR BOX 17.5" 2.000 MOD A (M7, M8, M9, M12)		
52	4010016S FLUE COLLECTOR BOX 21.0" 2.000 MOD A (M13, M14, M15)		
62	4053501S CHIMNEY ASSEMBLY (M1, M2, M3, M6, M7, M8, M9, M12, M13, M14, M15)		

Heat Exchanger Assy/Flue Collector Box w/ Built-in Chimney Assy

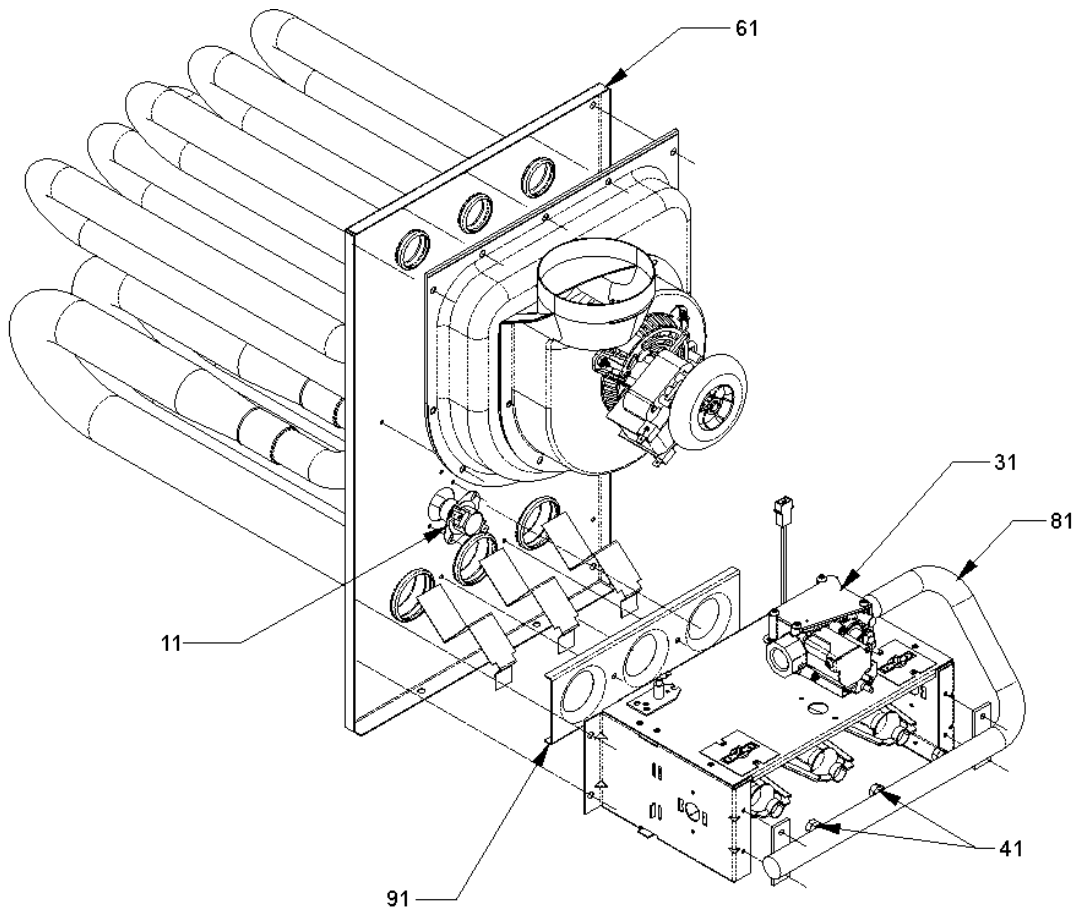
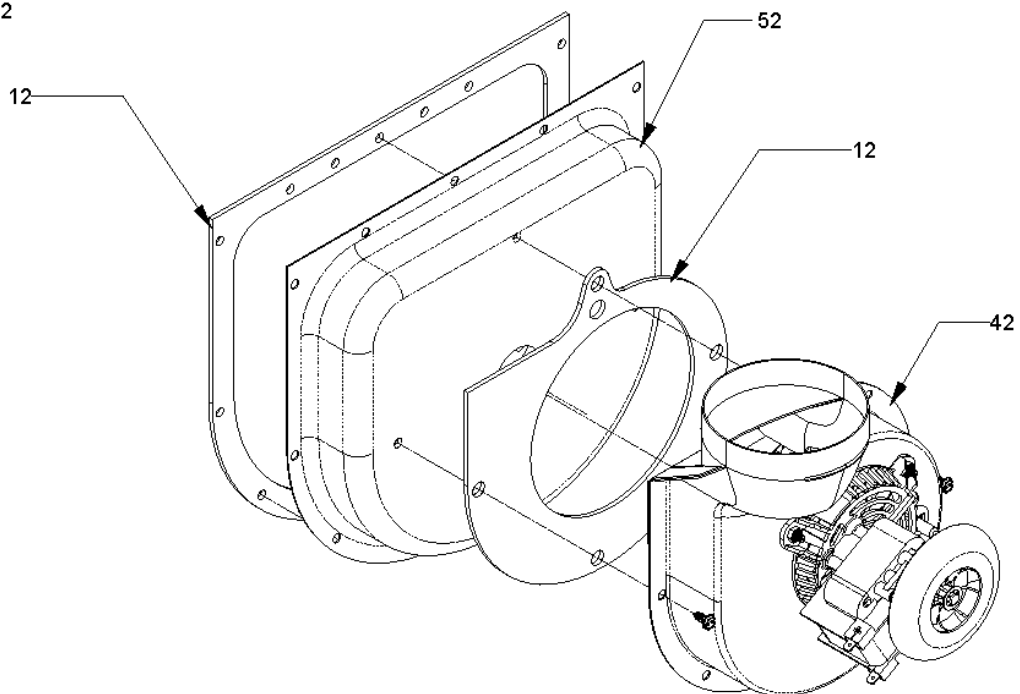


Image 1

Image 2



Heat Exchanger Assy/Flue Collector Box w/ Built-in Chimney Assy

Ref Part No:	Description:	Ref. Part No:	Description:
--------------	--------------	---------------	--------------

Image 1:

11	B1370198	PRIMARY LIMIT SWITCH 150°F (M10, M11)
11	B1370199	PRIMARY LIMIT SWITCH 190°F (M4, M5)
11	B1370189	PRIMARY LIMIT SWITCH 200°F (M16, M17, M18)
31	B1282628	GAS VALVE (36G) (M4, M5, M10, M11, M16, M17, M18)
41	10716003	ORIFICE (M4, M5, M10, M11, M16, M17, M18)
61	4021300S	HEAT EXCHANGER SUB-ASSY 2 CELL 14" (M4, M5)
61	4021308S	HEAT EXCHANGER SUB-ASSY 3 CELL 17.5" (M10, M11)
61	4021310S	HEAT EXCHANGER SUB-ASSY 4 CELL 21" (M16, M17, M18)
81	B4026005	GAS MANIFOLD 2 CELL (M4, M5)
81	B4026006	GAS MANIFOLD 3 CELL (M10, M11)
81	B4026007	GAS MANIFOLD 4 CELL (M16, M17, M18)
91	4028000	ORIFICE PLATE 2 CELL (M4, M5)
91	4028001	ORIFICE PLATE 3 CELL (M10, M11)
91	4028002	ORIFICE PLATE 4 CELL (M16, M17, M18)

Image 2:

12	B1392633	VENT MOTOR GASKET 14" (M4, M5)
12	B1392634	VENT MOTOR GASKET 17.5" (M10, M11)
12	B1392635	VENT MOTOR GASKET 21" (M16, M17, M18)
42	0131F00006S	VENT MOTOR, SINGLE STAGE ROUNDNOSE (M4, M5, M10, M11, M16, M17, M18)
52	4010012S	FLUE COLLECTOR BOX 14.0" 1.500 MOD A (M4, M5)
52	4010014S	FLUE COLLECTOR BOX 17.5" 2.000 MOD A (M10, M11)
52	4010016S	FLUE COLLECTOR BOX 21.0" 2.000 MOD A (M16, M17, M18)

Expanded Model Nomenclature

M1 - GHS80453ANAA
M2 - GHS80453AXAA
M3 - GHS80453AXBA
M4 - GHS80453AXBB
M5 - GHS80453AXBC
M6 - GHS80453AXBD
M7 - GHS80704BNAA
M8 - GHS80704BXAA
M9 - GHS80704BXBA
M10 - GHS80704BXBB
M11 - GHS80704BXBC
M12 - GHS80704BXBD
M13 - GHS80905CNAA
M14 - GHS80905CXAA
M15 - GHS80905CXBA
M16 - GHS80905CXBB
M17 - GHS80905CXBC
M18 - GHS80905CXBD

Burner Box/Control Panel

Image 1

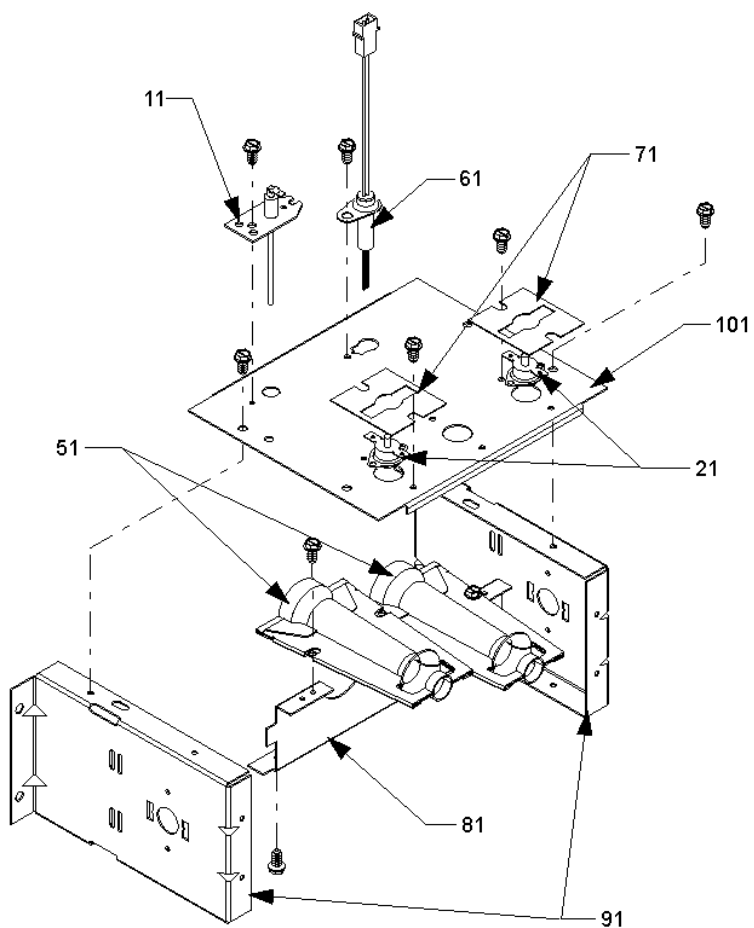
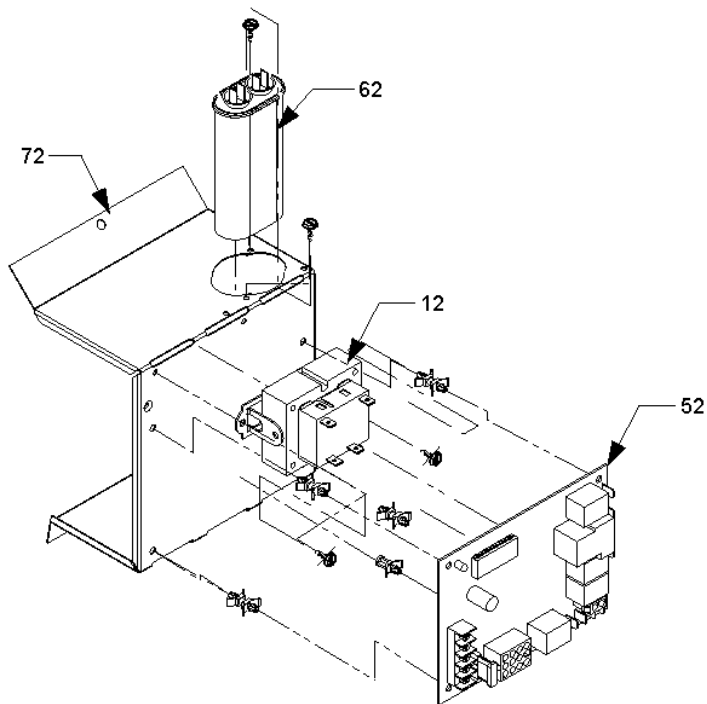


Image 2



Burner Box/Control Panel

Ref Part No:	Description:	Ref. Part No:	Description:
--------------	--------------	---------------	--------------

Image 1:

11	0130F00010	FLAME SENSOR
21	B1370145	ROLLOUT SWITCH, 300 W/O BRACKET (QTY 2)
51	B4022700	INSHOT BURNER ASSY 3" (QTY AR)
61	20165703S	IGNITOR
71	2509503	BRACKET, ROLLOUT SWITCH (QTY 2)
81	2513500	BURNER RACK 2 CELL (M1, M2, M3, M4, M5, M6)
81	2513501	BURNER RACK 3 CELL (M7, M8, M9, M10, M11, M12)
81	2513502	BURNER RACK 4 CELL (M13, M14, M15, M16, M17, M18)
91	2514000	SIDE PLATE, BURNER BOX (QTY 2)
101	4013010	BURNER BOX TOP 2 CELL (M1, M2, M3, M4, M5, M6)
101	4013011	BURNER BOX TOP 3 CELL (M7, M8, M9, M10, M11, M12)
101	4013012	BURNER BOX TOP 4 CELL (M13, M14, M15, M16, M17, M18)
NS	B4068404	WIRE HARNESS ASSY, IGNITOR 2-PIN

Image 2:

12	B1141605	TRANSFORMER 120V TO 24V, 40VA
52	PCBBF112S	IGNITION BOARD, HSI INTEGRATED
62	CAP125000370RPSCAPACITOR 12.5/370V (M7, M8, M9, M10, M11, M12, M13, M14, M15, M16, M17, M18)	
62	CAP200000370RPSCAPACITOR 20/370V (M1, M2, M3, M4, M5, M6)	
72	1815817	CONTROL MOUNTING PANEL

Expanded Model Nomenclature

M1 - GHS80453ANAA
M2 - GHS80453AXAA
M3 - GHS80453AXBA
M4 - GHS80453AXBB
M5 - GHS80453AXBC
M6 - GHS80453AXBD
M7 - GHS80704BNAA
M8 - GHS80704BXAA
M9 - GHS80704BXBA
M10 - GHS80704BXBB
M11 - GHS80704BXBC
M12 - GHS80704BXBD
M13 - GHS80905CNAA
M14 - GHS80905CXAA
M15 - GHS80905CXBA
M16 - GHS80905CXBB
M17 - GHS80905CXBC
M18 - GHS80905CXBD