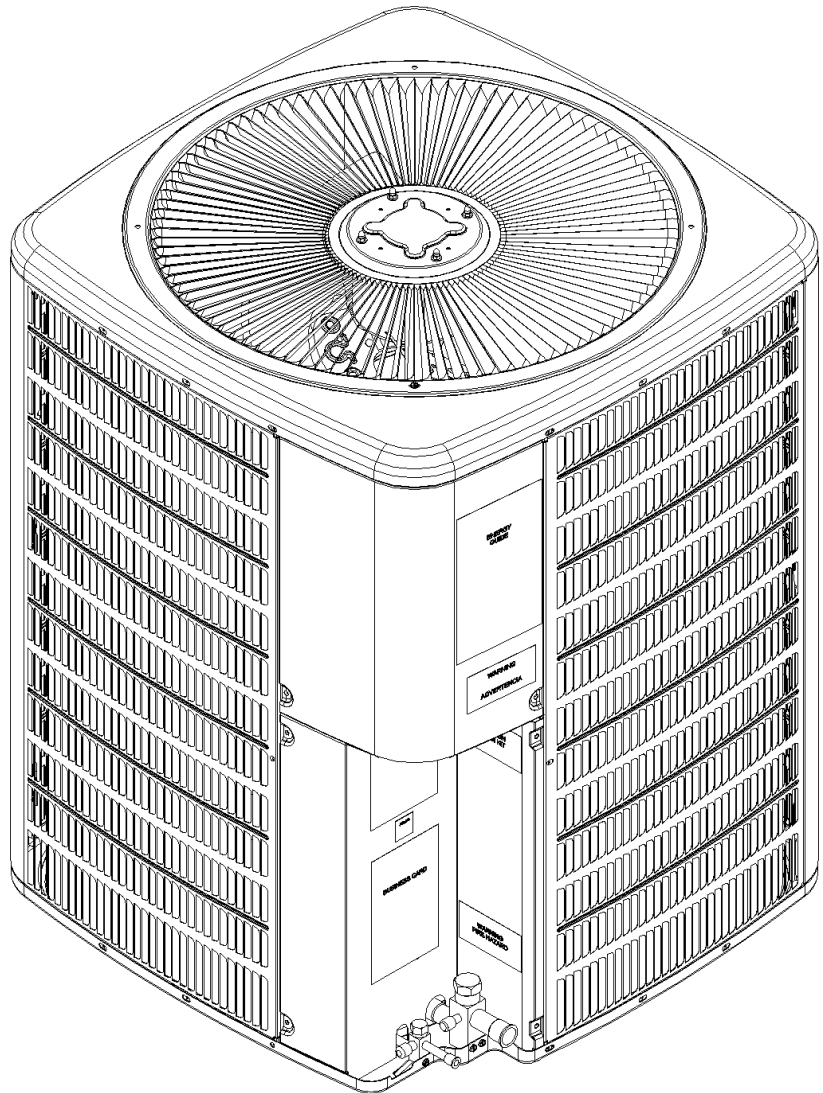


GSX13 Remote 3-Phase Condensing Unit

GSX130483AE

GSX130485AC



This manual is to be used by qualified technicians only.

Important Information

Index

Functional Parts List	3
Illustration and Parts	4 - 9

Views shown are for parts illustrations only, not servicing procedures

Text Codes:

AR - As Required

NA - Not Available

NS - Not Shown

00000000 - See Note

QTY - Quantity Example (QTY 3) (If Quantity not shown, Quantity = 1)

M - Model Example (M1) (If M Code not shown, then part is used on all Models)

Expanded Model Nomenclature:

Example M1 - Model#1 M2 - Model#2 M3 - Model#3

Goodman Manufacturing Company, L.P. is not responsible for personal injury or property damage resulting from improper service. Review all service information before beginning repairs.

Warranty service must be performed by an authorized technician, using authorized factory parts. If service is required after the warranty expires, Goodman Manufacturing Company, L.P. also recommends contacting an authorized technician and using authorized factory parts.

Goodman Manufacturing Company, L.P. reserves the right to discontinue, or change at any time, specifications or designs without notice or without incurring obligations.

For assistance within the U.S.A. contact:
Homeowner Support
Goodman Manufacturing Company, L.P.
19001 Kermier Road
Waller, Texas 77484
877-254-4729-Telephone
713-863-2382-Facsimile

For assistance outside the U.S.A. contact:
International Division
Goodman Manufacturing Company, L.P.
19001 Kermier Road
Waller, Texas 77484
713-861-2500-Telephone
713-863-2382-Facsimile

Functional Parts

Part

No: **Description:**

0151R00078	BASE VALVE 3/8"
0151R00080	BASE VALVE 7/8"
CAP050000370LA	CAPACITOR 5/370V (M1)
CAP050000370LAE	CAPACITOR 5/370V/OVAL (M2)
ZP49K5ETFD130	COMP, 40700, 380/420/50/3 (M2)
ZP39K5ETF5130	COMPRESSOR 39000, 200/230/60/3 (M1)
B13400269	COND MOTOR 380/460 50/60 CYCLE (M2)
CONT3P025024V	CONTACTOR 25 AMP, 3P, 24V
B1086750	FAN BLADE 22", 3 BLADE, 24°
0131M00813	MOTOR, 1/4HP, 1SP, 6PL (M1)

SPECIAL PARTS

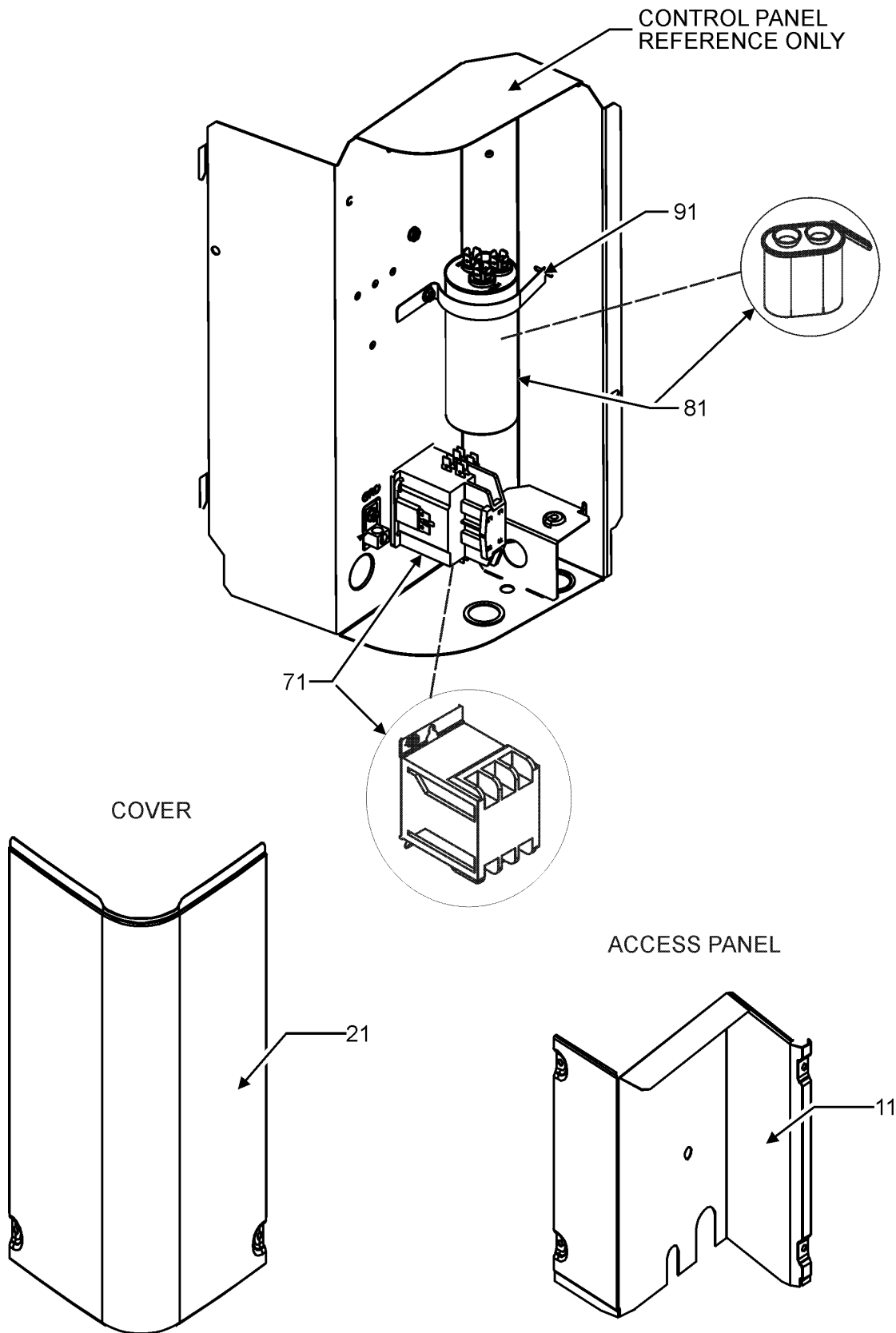
0161R00009P NAMEPLATE

Expanded Model Nomenclature

M1 - GSX130483AE

M2 - GSX130485AC

Control Cover and Control Box Assembly



Control Cover and Control Box Assembly

Ref. Part No: No:	Description:	Ref. Part No: No:	Description:
-------------------	--------------	-------------------	--------------

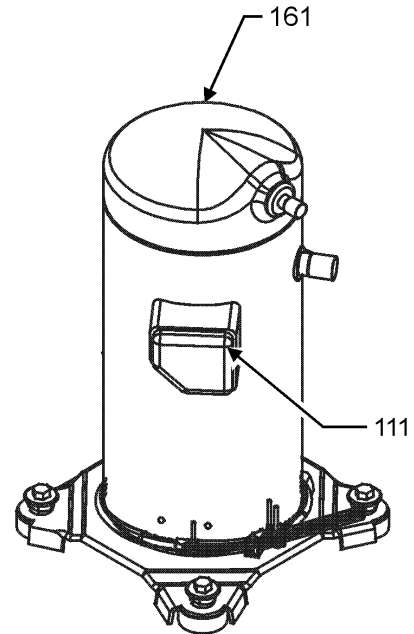
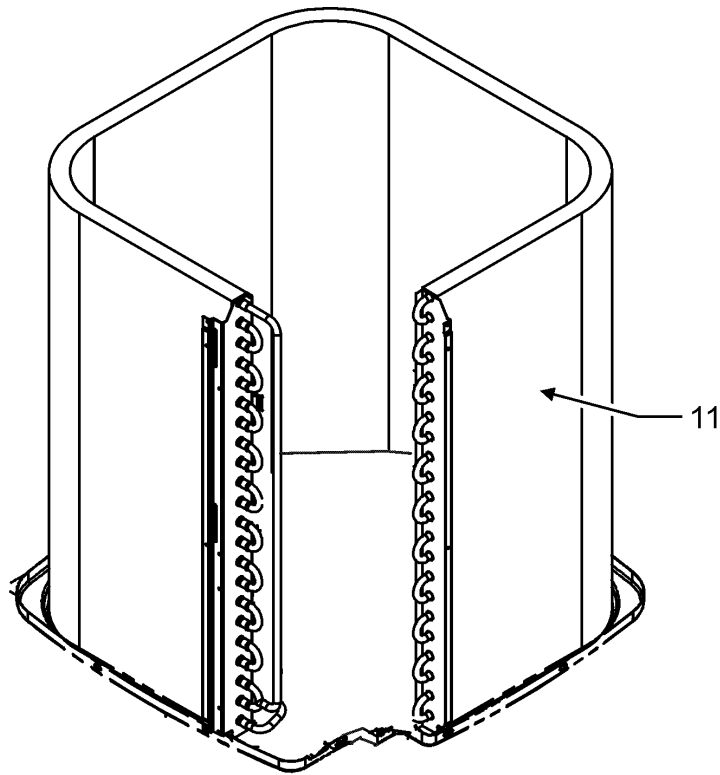
Image 1:

11	0121R00319PDG	PANEL, LOWER ACCESS PNT
21	0121R00053PDG	CONTROL COVER
71	CONT3P025024V	CONTACTOR 25 AMP, 3P, 24V
81	CAP050000370LA	CAPACITOR 5/370V (M1)
81	CAP050000370LAE	CAPACITOR 5/370V/OVAL (M2)
91	4400065	CAPACITOR STRAP
NS	0161R00009P	NAMEPLATE

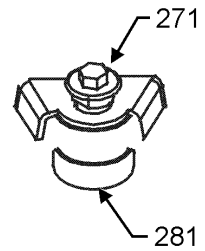
Expanded Model Nomenclature

M1 - GSX130483AE
M2 - GSX130485AC

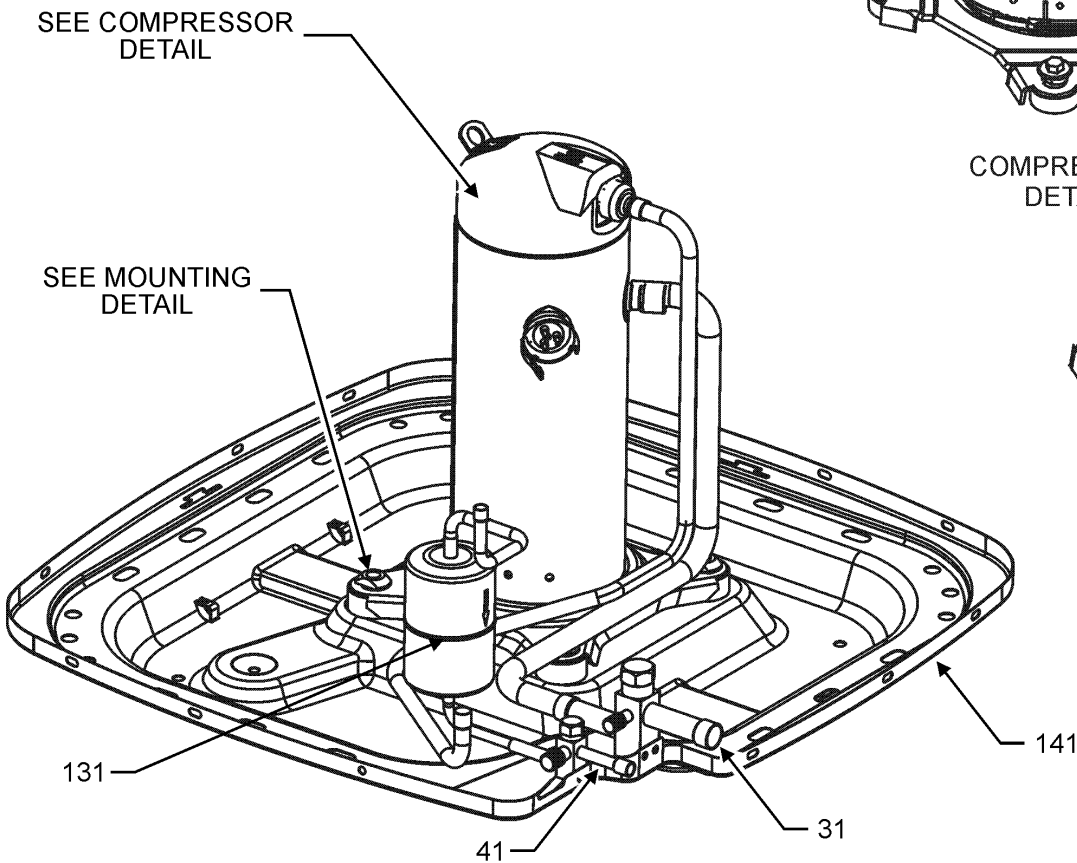
Compressor and Tubing Assembly



COMPRESSOR
DETAIL



MOUNTING
DETAIL



Compressor and Tubing Assembly

Ref. Part No: No:	Description:	Ref. Part No: No:	Description:
-------------------	--------------	-------------------	--------------

Image 1:

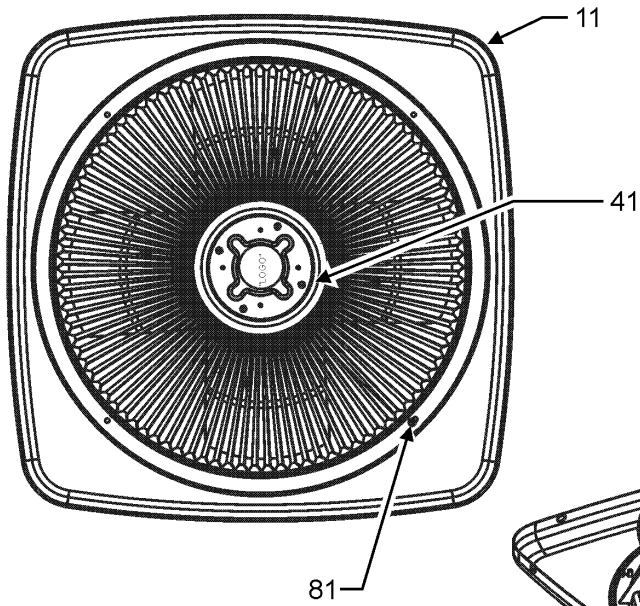
11	0201R00472	COIL TUBING ASSY (M2)
11	0201R00336	TUBING ASSY, COND COIL (M1)
31	0151R00080	BASE VALVE 7/8"
41	0151R00078	BASE VALVE 3/8"
111	0159R00009	COMPRESSOR SCROLL HARNESS
131	0162R00009	FILTER DRIER
141	0121R00006PDG	BASE PAN 29"
161	ZP49K5ETFD130	COMP, 40700, 380/420/50/3 (M2)
161	ZP39K5ETF5130	COMPRESSOR 39000, 200/230/60/3 (M1)
271	M0221641	TF SHOULDER SCREW (QTY 4)
281	B1339533	COMPRESSOR GROMMET (QTY 4)
NS	B1789876	FLOW CHECK PISTON KIT .076 (M2)
NS	B1789880	FLOW CHECK PISTON KIT .080 (M1)

Expanded Model Nomenclature

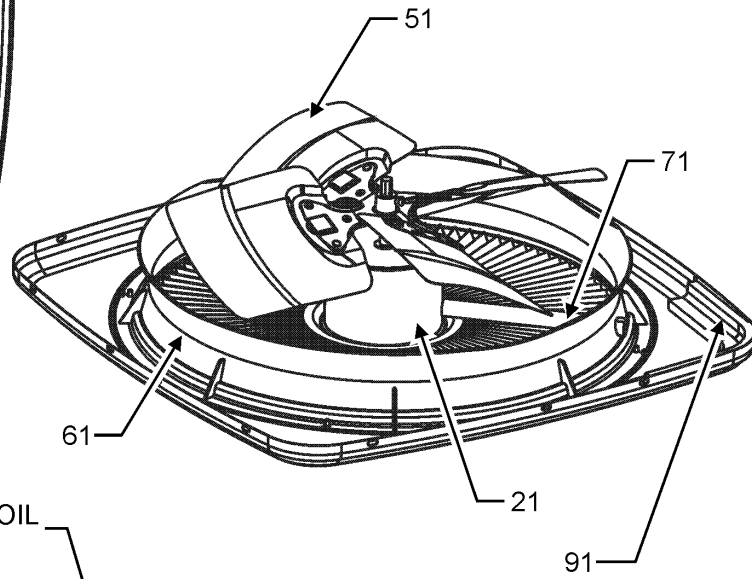
M1 - GSX130483AE
M2 - GSX130485AC

Cabinet Top and Side Panel Assembly

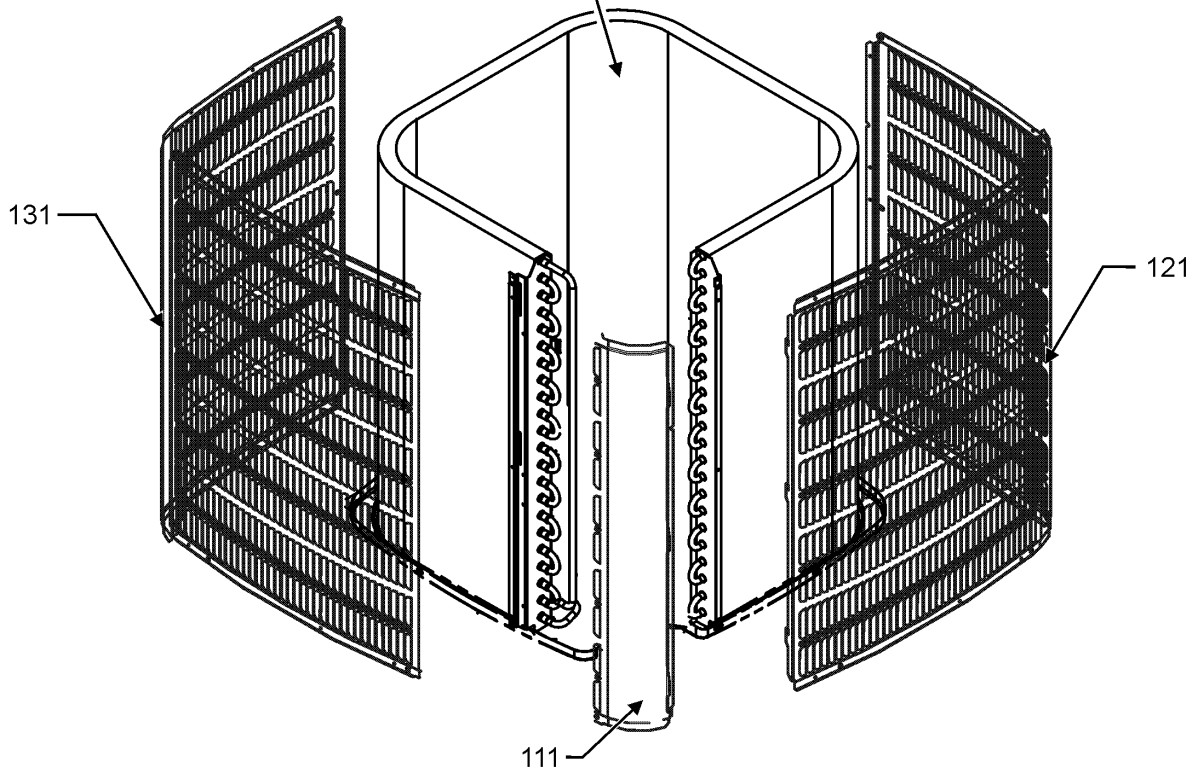
TOP VIEW



BOTTOM VIEW



CONDENSER COIL REFERENCE



Cabinet Top and Side Panel Assembly

Ref. Part No:	Description:	Ref. Part No:	Description:
---------------	--------------	---------------	--------------

Image 1:

11	0121R00010PDG	TOP PANEL 29"
21	B13400269	COND MOTOR 380/460 50/60 CYCLE (M2)
21	0131M00813	MOTOR, 1/4HP, 1SP, 6PL (M1)
41	0163M00006P	ACORN NUT 5/16 HEX BLACK (QTY 4)
51	B1086750	FAN BLADE 22", 3 BLADE, 24°
61	0161L00000	VENTURI RING 22" (M1)
71	0161R00002P	CONDUIT (M1)
71	0161R00003P	CONDUIT (M2)
81	0163M00004	SCREW #10X3/4", BLACK
91	0154R00006	GASKET, CONTROL PANEL
111	0121R00352PDG	Louver Post, PDG 32.51
121	0121R00344PDGRS	Louver Panel, PDG 29"_.32.51
131	0121R00344PDGLS	Louver Panel, PDG 29"_.32.51
NS	0163M00005P	WASHER, BLACK (.50 OD .218D) (QTY 4)

Expanded Model Nomenclature

M1 - GSX130483AE
M2 - GSX130485AC