



REPAIR PARTS

GDX SERIES Gas Furnace

GDX040-2
GDX060-3
GDX080-4
GDX100-5
GDX120-5

This manual is to be used by qualified technicians only.

© 1987-2008 Goodman Manufacturing Company, L.P. ♦ 5151 San Felipe, Suite 500 ♦ Houston, TX 77056

Important Information

Index

Functional Parts List	3
Illustration and Parts	4 - 5

Views shown are for parts illustrations only, not servicing procedures.

Text Codes:

AR - As Required

NA - Not Available

NS - Not Shown

00000000 - See Note

QTY - Quantity Example (QTY 3) (If Quantity not shown, Quantity = 1)

M - Model Example (M1) (If M Code not shown, then part is used on all Models)

Expanded Model Nomenclature:

Example M1 - Model#1 M2 - Model#2 M3 - Model#3

Goodman Manufacturing Company, L.P. is not responsible for personal injury or property damage resulting from improper service. Review all service information before beginning repairs.

Warranty service must be performed by an authorized technician, using authorized factory parts. If service is required after the warranty expires, Goodman Manufacturing Company, L.P. also recommends contacting an authorized technician and using authorized factory parts.

Goodman Manufacturing Company, L.P. reserves the right to discontinue, or change at any time, specifications or designs without notice or without incurring obligations.

For assistance within the U.S.A. contact:
Consumer Affairs Department
Goodman Manufacturing Company, L.P.
7401 Security Way
Houston, Texas 77040
877-254-4729-Telephone
713-863-2382-Facsimile

For assistance outside the U.S.A. contact:
International Division
Goodman Manufacturing Company, L.P.
7401 Security Way
Houston, Texas 77040
713-861-2500-Telephone
713-863-2382-Facsimile

Functional Parts

Part

No: Description:

B1340020S	BLOWER MOTOR 1/2 HP, DIRECT DRIVE (M3)
B1340021	BLOWER MOTOR 1/3 HP, DIRECT DRIVE (M2)
B1340001S	BLOWER MOTOR 1/5 HP, 4 SP (SHADED POLE) (M1)
B1340022S	BLOWER MOTOR 3/4 HP, DIRECT DRIVE (M5)
B1340023	BLOWER MOTOR 3/4 HP, DIRECT DRIVE (M4)
B1141702	BLOWER RELAY
CAP100000370VAS	CAPACITOR 10/370V [BLOWER] (M3)
CAP200000370RPS	CAPACITOR 20/370V (M4)
CAP050000370VAS	CAPACITOR 5/370V (M1)
CAP075000370VAS	CAPACITOR 7.5/370V (M2, M5)
B1370118B	FAN LIMIT CONTROL (M4)
B1370120A	FAN LIMIT CONTROL (M3)
B1370121C	FAN LIMIT CONTROL (M2, M5)
B1370121	FAN LIMIT CONTROL 11" [OBSOLETE] (M1)

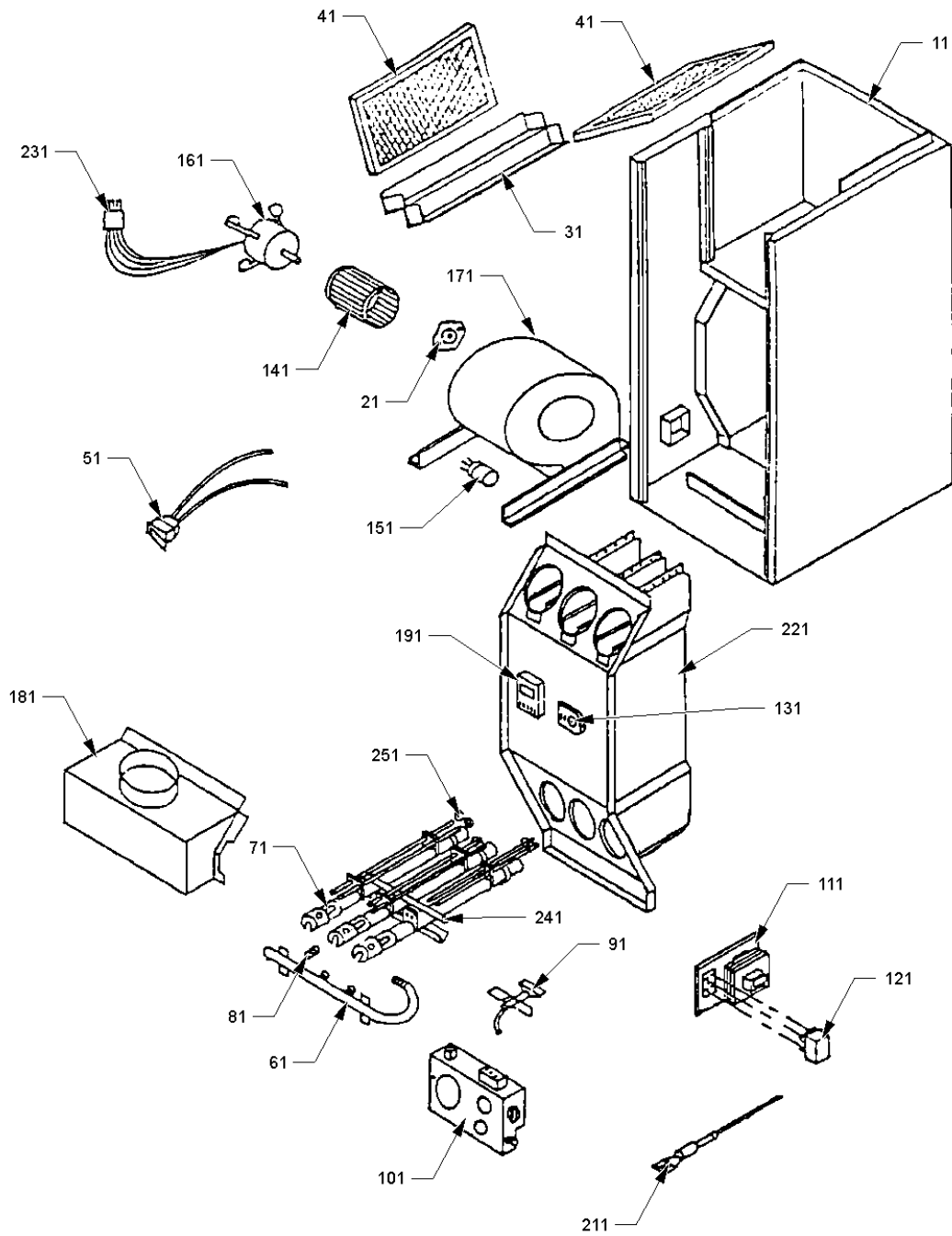
SPECIAL PARTS

RP-115 REPAIR PARTS MANUAL

Expanded Model Nomenclature

M1 - GDX040-2
M2 - GDX060-3
M3 - GDX080-4
M4 - GDX100-5
M5 - GDX120-5

Replacement Parts List



Replacement Parts List

Ref. Part No:	No:	Description:	Ref. Part No:	No:	Description:
<i>Image 1:</i>			<i>Image 1:</i>		
11	1816204	CABINET ASSY (OBSOLETE)	181	1801306	DRAFT DIVERter (M5)
21	B1370100	AUXILIARY LIMIT	181	1801307	DRAFT DIVERter (M4)
31	1870000	FILTER HOLDER	181	1801301	DRAFT DIVERter [OBSOLETE] (M2)
41	B1369604	AIR FILTER (M1, M2, M3)	181	1801305	DRAFT DIVERter [OBSOLETE] (M3)
41	B1369605	AIR FILTER (M4, M5)	181	1801300	DRAFT DIVERter ASSY (M1)
51	B1370816	DOOR INTERLOCK SWITCH [OBSOLETE]	191	B1370724	IGNITION MODULE 1003-300 ALTERNATE ESSEX CONTROL B1370722
61	B1826400	MANIFOLD (M1)	211	B1172601	FLAME SENSOR
61	B1826401	MANIFOLD (M2)	221	1821211S	SUB-ASSY, HEAT EXCHANGER (M4)
61	B1826402	MANIFOLD (M3)	221	1821214S	SUB-ASSY, HEAT EXCHANGER (M2)
61	B1826403	MANIFOLD - 5 BRNR [OBSOLETE] (M4)	221	1821232S	SUB-ASSY, HEAT EXCHANGER (M1)
61	B1826404	MANIFOLD - 6 BRNR [OBSOLETE] (M5)	221	1921205S	SUB-ASSY, HEAT EXCHANGER (M5)
71	B1822502	BURNER 2 CELL (M1, M3, M4)	221	0257F00075	SUB-ASSY, HEAT EXCHANGER 4 CL 17" (M3)
71	B1822501S	BURNER 3 CELL (M2, M4, M5)	231	B1368253	MALE PLUG ASSY
81	B1789345	ORIFICE (QTY AR)	241	B1811200	LO NOx ROD [OBSOLETE] (QTY AR)
91	B1401001	PILOT BURNER (ROBERT SHAW) (OBSOLETE) ALTERNATE ESSEX BURNER B1401002	251	B1531800	U-TYPE SPEED NUTS 1/4-20 (OBSOLETE) (QTY AR)
101	B12682600	GAS VALVE (ROBERT SHAW) ALTERNATE ESSEX VALVE B1282603	NS	1823100	BURNER AND ROD ASSY (M1, M4) Includes Items 71, 241, & 251
111	B1141648	TRANSFORMER 40V [OBSOLETE]	NS	1823101	BURNER AND ROD ASSY (OBSOLETE) (M2, M4) Includes Items 71, 241, & 251
121	B1141702	BLOWER RELAY	NS	1823100	BURNER AND ROD ASSY (QTY 2) (M3) Includes Items 71, 241, & 251
131	B1370118B	FAN LIMIT CONTROL (M4)	NS	1823101	BURNER AND ROD ASSY (QTY 2) (OBSOLETE) (M5) Includes Items 71, 241, & 251
131	B1370120A	FAN LIMIT CONTROL (M3)	NS	B1172603	HIGH VOLTAGE LEAD
131	B1370121C	FAN LIMIT CONTROL (M2, M5)	NS	LPX00	LP CONVERSION KIT (ROBERT SHAW) ALTERNATE ESSEX KIT LPE03
131	B1370121	FAN LIMIT CONTROL 11" [OBSOLETE] (M1)	NS	B1376853	MOTOR MOUNT ARM (M4)
141	B1368034S	BLOWER WHEEL 10 X 6 (M2, M5)	NS	B1376859	MOTOR MOUNT ARM (M5)
141	B1368046S	BLOWER WHEEL 10 X 6 CCW (M5)	NS	B1376851	MOTOR MOUNT BAND (M4, M5)
141	B1368016S	BLOWER WHEEL 10 X 8 (M3)	Expanded Model Nomenclature M1 - GDX040-2 M2 - GDX060-3 M3 - GDX080-4 M4 - GDX100-5 M5 - GDX120-5		
141	B1368000S	BLOWER WHEEL 11 X 10 (M4)			
141	B1368042S	BLOWER WHEEL 9 X 6 (M1)			
151	CAP100000370VAS	CAPACITOR 10/370V [BLOWER] (M3)			
151	CAP200000370RPS	CAPACITOR 20/370V (M4)			
151	CAP050000370VAS	CAPACITOR 5/370V (M1)			
151	CAP075000370VAS	CAPACITOR 7.5/370V (M2, M5)			
161	B1340020S	BLOWER MOTOR 1/2 HP, DIRECT DRIVE (M3)			
161	B1340021	BLOWER MOTOR 1/3 HP, DIRECT DRIVE (M2)			
161	B1340001S	BLOWER MOTOR 1/5 HP, 4 SP (SHADED POLE) (M1)			
161	B1340022S	BLOWER MOTOR 3/4 HP, DIRECT DRIVE (M5)			
161	B1340023	BLOWER MOTOR 3/4 HP, DIRECT DRIVE (M4)			
171	1839301	BLOWER HOUSING ASSY (LEFT) (M5)			
171	0271A00016S	BLOWER HOUSING ASSY 10 X 10 (M4)			
171	1439389S	BLOWER HOUSING ASSY 9 X 6 (M1)			
171	2539300S	BLOWER HOUSING ASSY w/o CUT-OFF 764730 (M2, M5)			
171	1439391S	BLOWER HOUSING ASSY w/o CUT-OFF 764736 (M3)			

