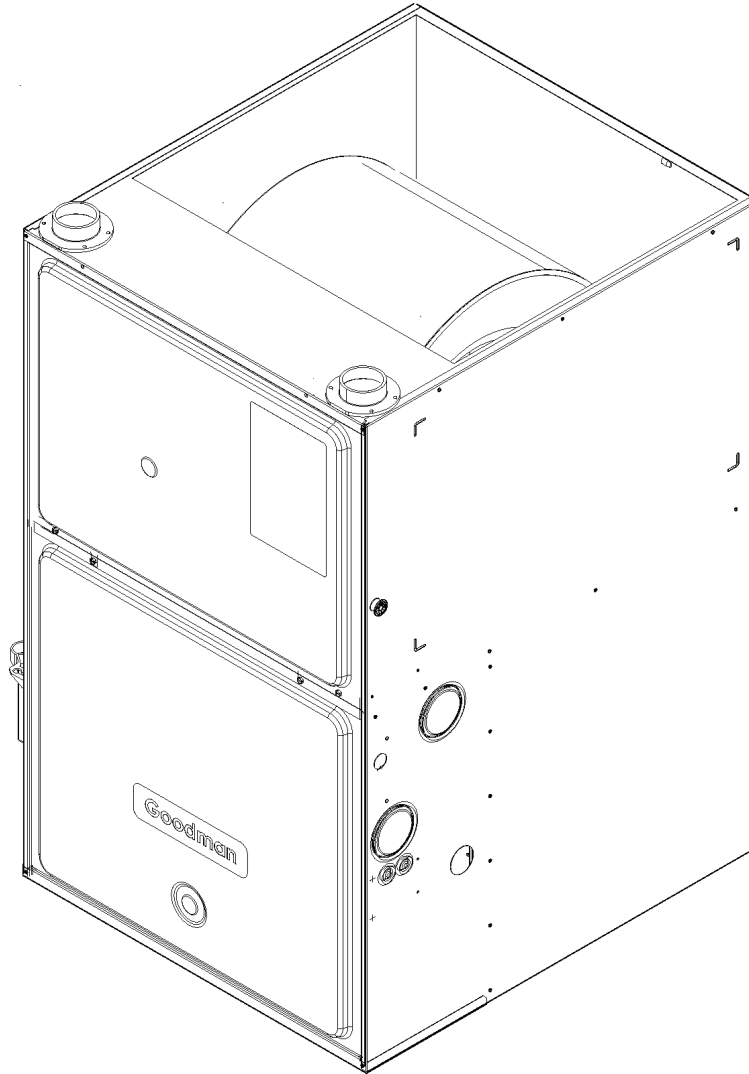




REPAIR PARTS

GDS9 90% Counterflow 50 Hz Furnace

GDS90805D2AA
GDS91005D2AA



Goodman Manufacturing Company, L.P.
5151 San Felipe, Suite 500
Houston, TX 77056

www.goodmanmfg.com

RP-463
July 2007

Important Information

Index

Functional Parts List	3
Illustration and Parts	4 - 11

Views shown are for parts illustrations only, not servicing procedures

Text Codes:

AR - As Required

NA - Not Available

NS - Not Shown

00000000 - See Note

QTY - Quantity Example (QTY 3) (If Quantity not shown, Quantity = 1)

M - Model Example (M1) (If M Code not shown, then part is used on all Models)

Expanded Model Nomenclature:

Example M1 - Model#1 M2 - Model#2 M3 - Model#3

Goodman Manufacturing Company, L.P. is not responsible for personal injury or property damage resulting from improper service. Review all service information before beginning repairs.

Warranty service must be performed by an authorized technician, using authorized factory parts. If service is required after the warranty expires, Goodman Manufacturing Company, L.P. also recommends contacting an authorized technician and using authorized factory parts.

Goodman Manufacturing Company, L.P. reserves the right to discontinue, or change at any time, specifications or designs without notice or without incurring obligations.

For assistance within the U.S.A. contact:
Consumer Affairs Department
Goodman Manufacturing Company, L.P.
7401 Security Way
Houston, Texas 77040
877-254-4729-Telephone
713-863-2382-Facsimile

For assistance outside the U.S.A. contact:
International Division
Goodman Manufacturing Company, L.P.
7401 Security Way
Houston, Texas 77040
713-861-2500-Telephone
713-863-2382-Facsimile

Functional Parts

Part

No: Description:

0257F00154S	ASSY, HEAT EXCHANGER 4B (M1)
0257F00162S	ASSY, HEAT EXCHANGER 5B (M2)
10735102S	BECKETT BURNER (QTY 4)
0131F00005S	BLOWER MOTOR 1 HP, 50HZ
CAP150000370VAS CAPACITOR 15/370V	
B1809922S	CONTROL BOARD, DSI AUX, 50HZ, CE
B1809921S	CONTROL BOARD, IGNITION, DSI, 50HZ, CE
C6121807	CUT-OFF
C6455901	ELBOW 22 1/2 ELL
0130F00010	FLAME SENSOR
B1282622	GAS VALVE, 50 HZ (CE)
0130F00014	IGNITOR
C6415909	INSULATION, HEAT EXCHANGER
B1370818	INTERLOCK SWITCH
20196404	MANIFOLD (M2)
20196403	MANIFOLD (M1)
10716005	ORIFICE (QTY 4)
20197311	PRESSURE SWITCH (M2)
20197313	PRESSURE SWITCH (M1)
20162907	PRIMARY LIMIT (M2)
20162906	PRIMARY LIMIT (M1)
10123533	RESET LIMIT, MANUAL (M1)
10123517	RESET LIMIT, MANUAL (QTY 2)
B1368267	TERMINAL BLOCK (50HZ, CE)
B1141664	TRANSFORMER 230V, 50HZ
0259F00024	WIRE HARNESS, BLOWER
0159F00002	WIRING HARNESS
0259F00039	WIRING HARNESS
0259F00036	WIRING HARNESS 12-PIN M-CONN, 50

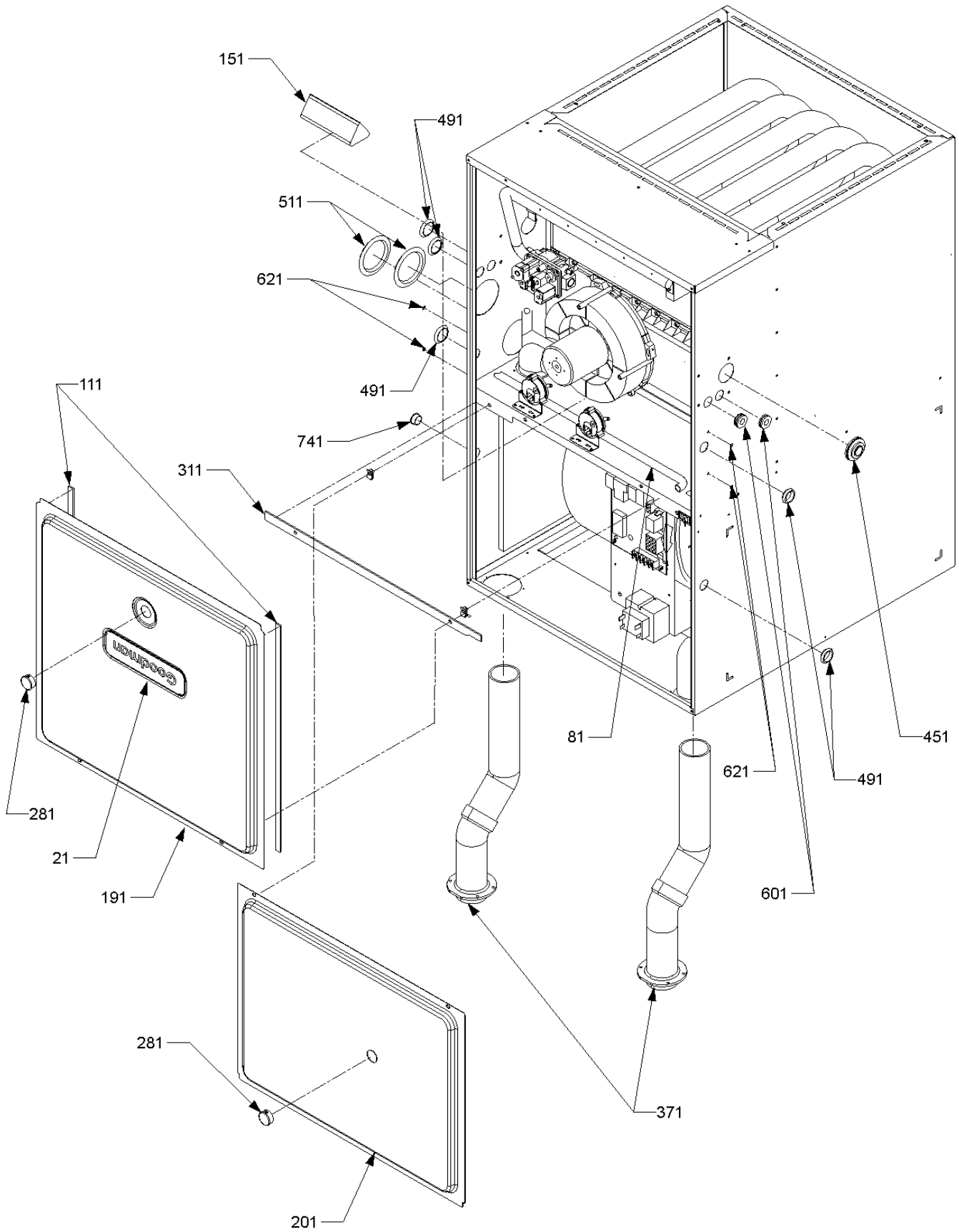
SPECIAL PARTS

10195518Q	ASSY, STANDPIPE BAG
0161F00000P	GOODMAN NAMEPLATE
IO-335	INSTALLATION INSTRUCTIONS
RP-463	REPAIR PARTS MANUAL
HI-121	USERS MANUAL

Expanded Model Nomenclature

M1 - GDS90805D2AA
M2 - GDS91005D2AA

Cabinet



Cabinet

Ref Part	Ref. Part
No:	No: No:
Description:	Description:

Image 1:

21	0161F00000P	GOODMAN NAMEPLATE
81	20201902	DRAIN HOSE
111	20179308	GASKET (QTY 2)
151	10195518Q	ASSY, STANDPIPE BAG
191	0121F00074DG	ACCESS DOOR
201	0121F00071DG	BLOWER DOOR
281	B1392139	VIEW PORT BUSHING (QTY 2)
311	22320003	DECK GASKET
371	22309502	FLUE PIPE (QTY 2)
451	M0501301	PIPE GROMMET
491	M0570808	BUTTON PLUG (QTY 5)
511	M0570807	BUTTON PLUG
601	A4691701	GROMMET (QTY 2)
621	M0310345	BUTTON PLUG (QTY 2)
741	B1392104	UNIVERSAL BUSHING UB 875

Expanded Model Nomenclature

M1 - GDS90805D2AA
M2 - GDS91005D2AA

Blower/Standpipe Bag Assembly

Image 1

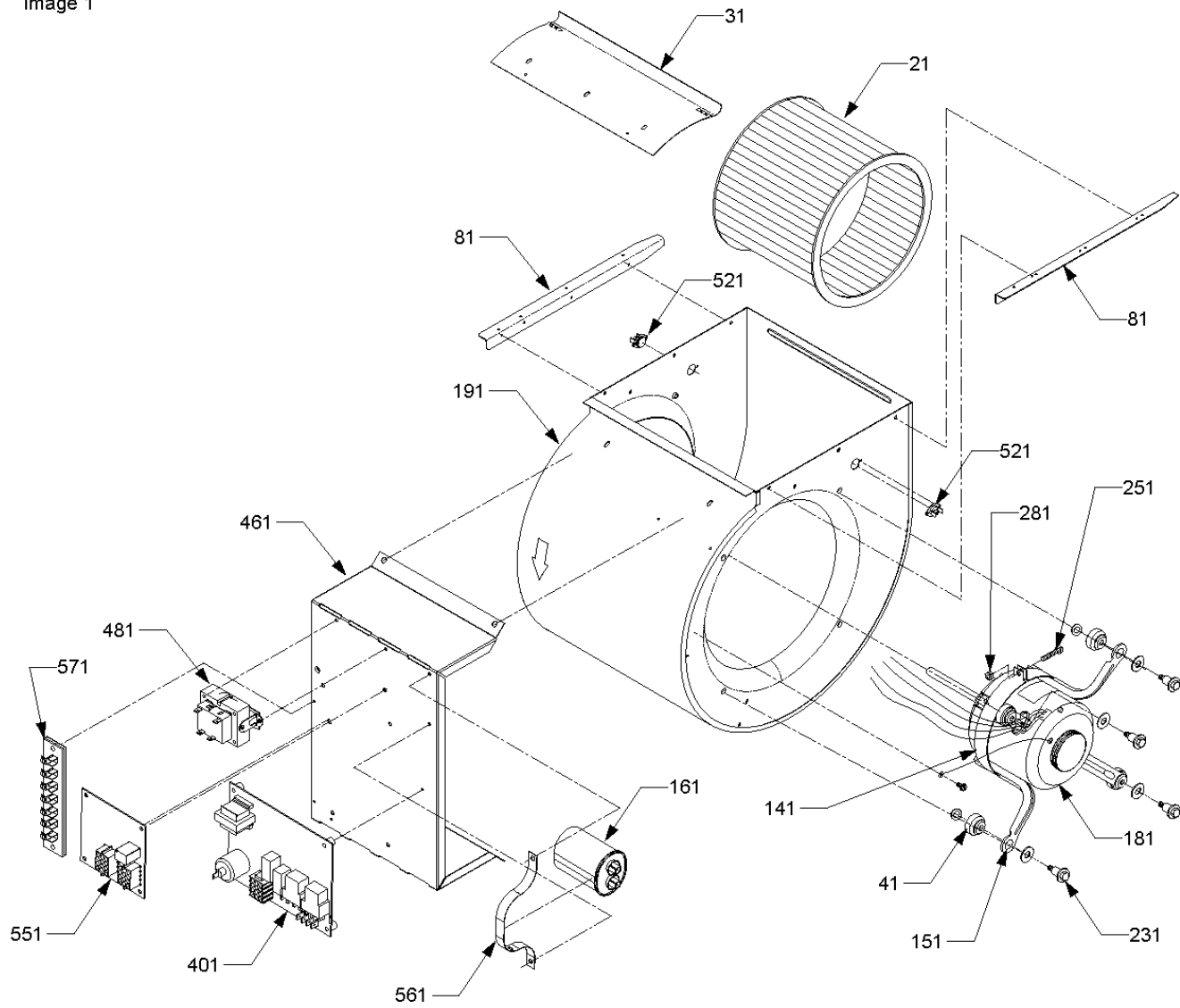
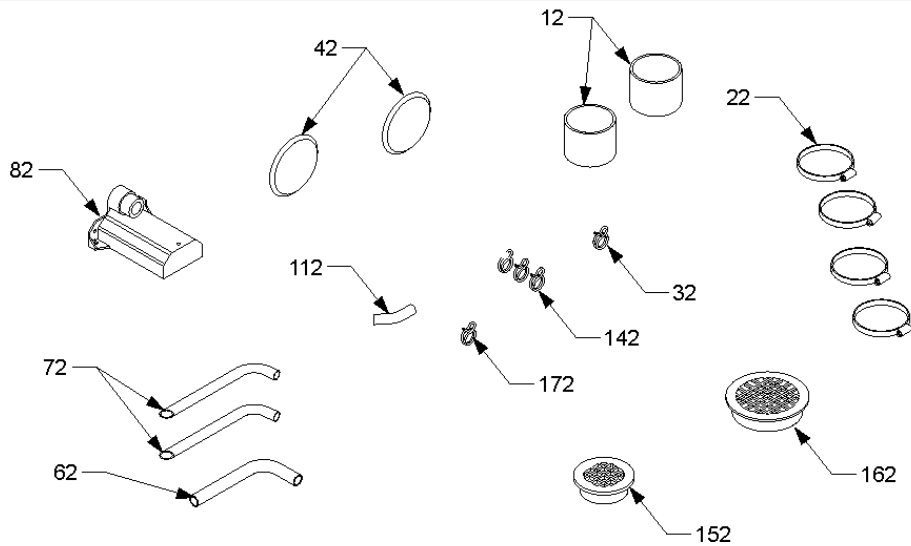


Image 2



Blower/Standpipe Bag Assembly

Ref Part No:	Description:	Ref. Part No:	Description:
<i>Image 1:</i>			
21	D6723311S		BLOWER WHEEL
31	C6121807		CUT-OFF
41	A4002701		GROMMET (QTY 4)
81	20175101		SIDE RAIL, BLOWER (QTY 2)
141	10441601		MOTOR MOUNT BAND
151	10441501		MOTOR MOUNT ARM (QTY 4)
161	CAP150000370VAS		CAPACITOR 15/370V
181	0131F00005S		BLOWER MOTOR 1 HP, 50HZ
191	0271F00047		ASSY, BLOWER HOUSING 11 X 10
231	M0221461		TC SCREW (QTY 4)
251	M0267144		MACHINE SCREW
281	M0282015		KEPS NUT
401	B1809921S		CONTROL BOARD, IGNITION, DSI, 50HZ, CE
461	0121F00094		MOUNTING PANEL, CONTROL
481	B1141664		TRANSFORMER 230V, 50HZ
521	10123517		RESET LIMIT, MANUAL (M2)
521	10123533		RESET LIMIT, MANUAL (M1)
551	B1809922S		CONTROL BOARD, DSI AUX, 50HZ, CE
561	1284835		STRAP
571	B1368267		TERMINAL BLOCK (50HZ, CE)
NS	0259F00024		WIRE HARNESS, BLOWER
NS	0259F00036		WIRING HARNESS 12-PIN M-CONN, 50

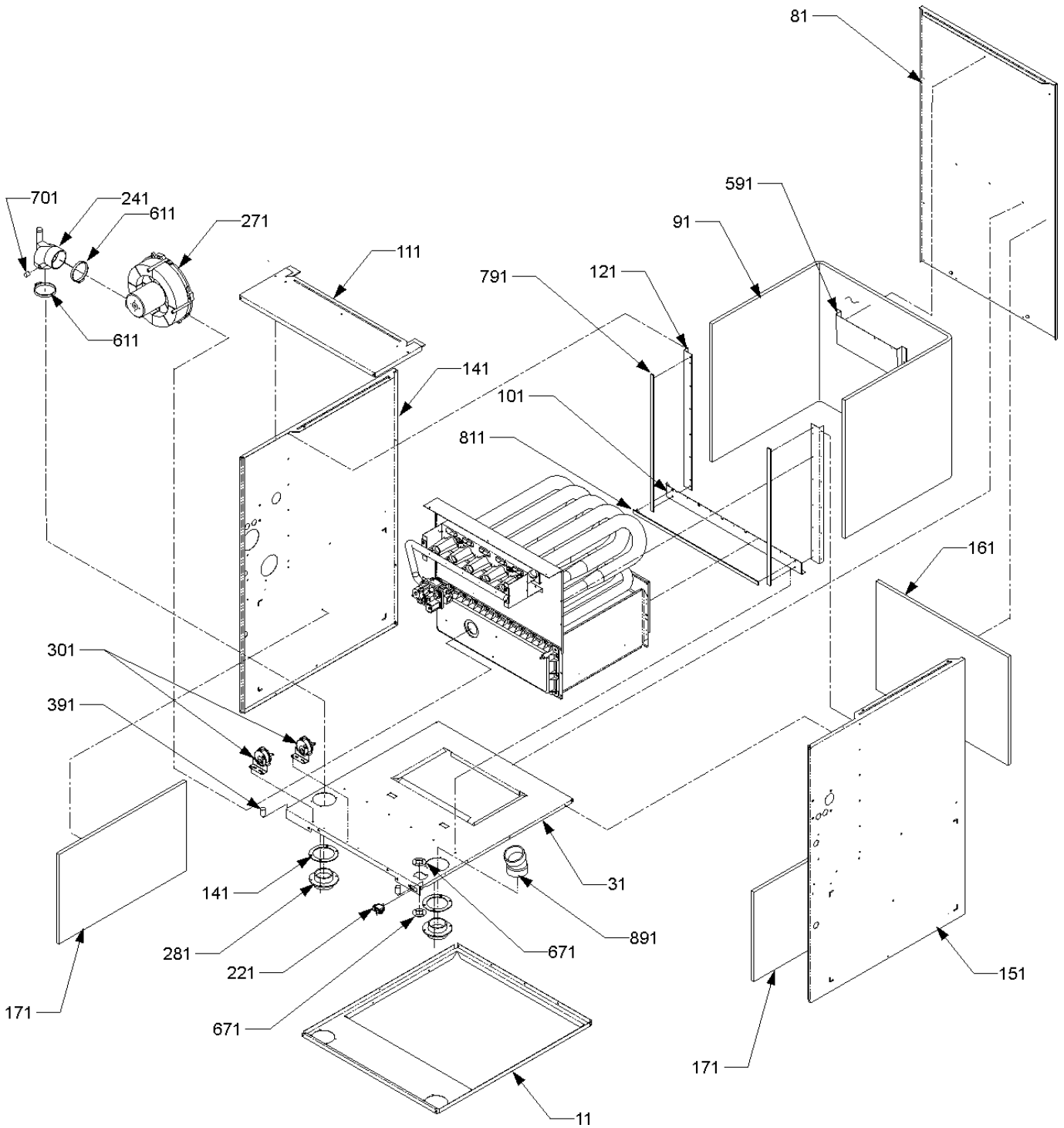
<i>Image 2:</i>			
12	10254303		RUBBER COUPLING (QTY 2)
22	A3326002		HOSE CLAMP (QTY 4)
32	M0119207		HOSE CLAMP
42	M0570807		BUTTON PLUG (QTY 2)
62	20201901		DRAIN HOSE
72	20201802		DRAIN TUBE (QTY 2)
82	20171701		DRAIN TRAP
112	20214203		DRAIN ANGLE
142	M0119205		HOSE CLAMP (QTY 3)
152	B2810816		2" MESH INSERT
162	B2810814		3" MESH INSERT
172	M0119206		HOSE CLAMP

Expanded Model Nomenclature

M1 - GDS90805D2AA

M2 - GDS91005D2AA

Chassis



Chassis

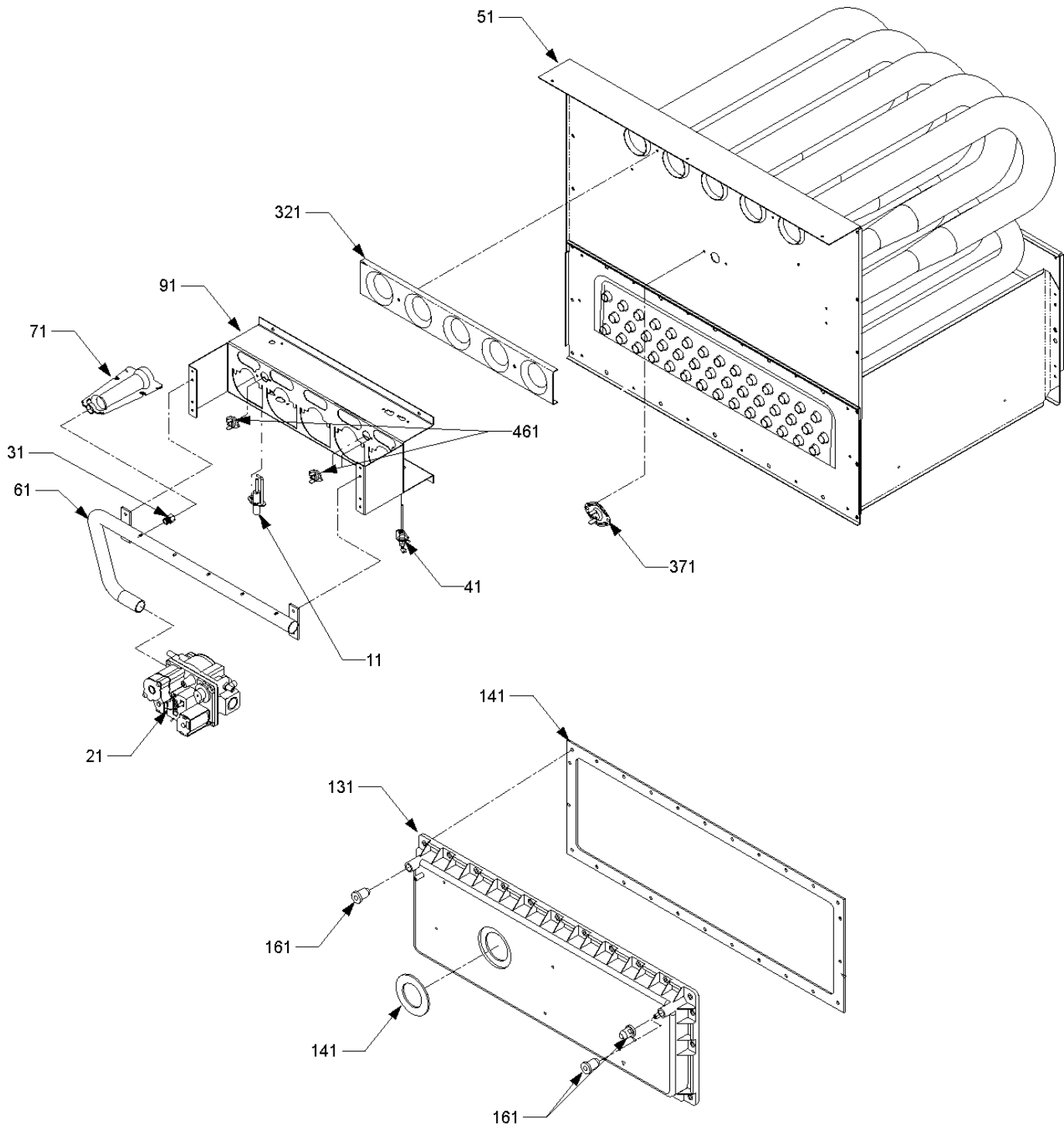
Ref Part No:	Description:	Ref. Part No: No:	Description:
<i>Image 1:</i>			
11	20273512		BASEPAN
31	0121F00049		BLOWER DECK 24.5"
81	20273218		BACK PANEL
91	C6415909		INSULATION, HEAT EXCHANGER
101	20191303		DECK RAIL
111	0270F00105P		ASSY, TOP COVER
121	20191604		SIDE RAIL (QTY 2)
141	0154F00002P		GASKET
141	0121F00093DG		SIDE PANEL, LEFT
151	0121F00091DG		SIDE PANEL, RIGHT
161	20006603		INSULATION
171	20006604		SIDE INSULATION (QTY 2)
221	B1370818		INTERLOCK SWITCH
241	20171802		ELBOW
271	0131F00019		ID BLOWER 50HZ
281	20049701		FA COUPLING (QTY 2)
301	20197311		PRESSURE SWITCH (M2)
301	20197313		PRESSURE SWITCH (M1)
391	M0275521		PLASTIC SEALER
591	11165107		SHIELD, ID BLOWER
611	A3326002		HOSE CLAMP (QTY 2)
671	0121F00095		STRAIN RELIEF ADAPTOR (QTY 2)
701	M0326804		TUBE PLUG
791	20194608		GASKET (QTY 2)
811	20194607		GASKET
891	C6455901		ELBOW 22 1/2 ELL
NS	0164M00008		HOSE, PRESSURE SWITCH
NS	0164M00013		HOSE, PRESSURE SWITCH
NS	0159F00002		WIRING HARNESS
NS	0259F00039		WIRING HARNESS

Expanded Model Nomenclature

M1 - GDS90805D2AA

M2 - GDS91005D2AA

Heat Exchanger Assy/Manifold/Gas Valve



Heat Exchanger Assy/Manifold/Gas Valve

Ref Part No:	Description:	Ref. Part No:	Description:
--------------	--------------	---------------	--------------

Image 1:

11	0130F00014	IGNITOR
21	B1282622	GAS VALVE, 50 HZ (CE)
31	10716005	ORIFICE (QTY 4)
41	0130F00010	FLAME SENSOR
51	0257F00154S	ASSY, HEAT EXCHANGER 4B (M1)
51	0257F00162S	ASSY, HEAT EXCHANGER 5B (M2)
61	20196403	MANIFOLD (M1)
61	20196404	MANIFOLD (M2)
71	10735102S	BECKETT BURNER (QTY 4)
91	20190412	BURNER BRACKET 4B (M1)
91	20190413	BURNER BRACKET 5B (M2)
131	20171001A	FRONT COVER (M1)
131	20171002AS	FRONT COVER (M2)
141	0154F00002P	GASKET
161	M0326804	TUBE PLUG (QTY 3)
321	11072203	ORIFICE SHIELD (M1)
321	11072204	ORIFICE SHIELD (M2)
371	20162906	PRIMARY LIMIT (M1)
371	20162907	PRIMARY LIMIT (M2)
461	10123517	RESET LIMIT, MANUAL (QTY 2)

Expanded Model Nomenclature

M1 - GDS90805D2AA
M2 - GDS91005D2AA