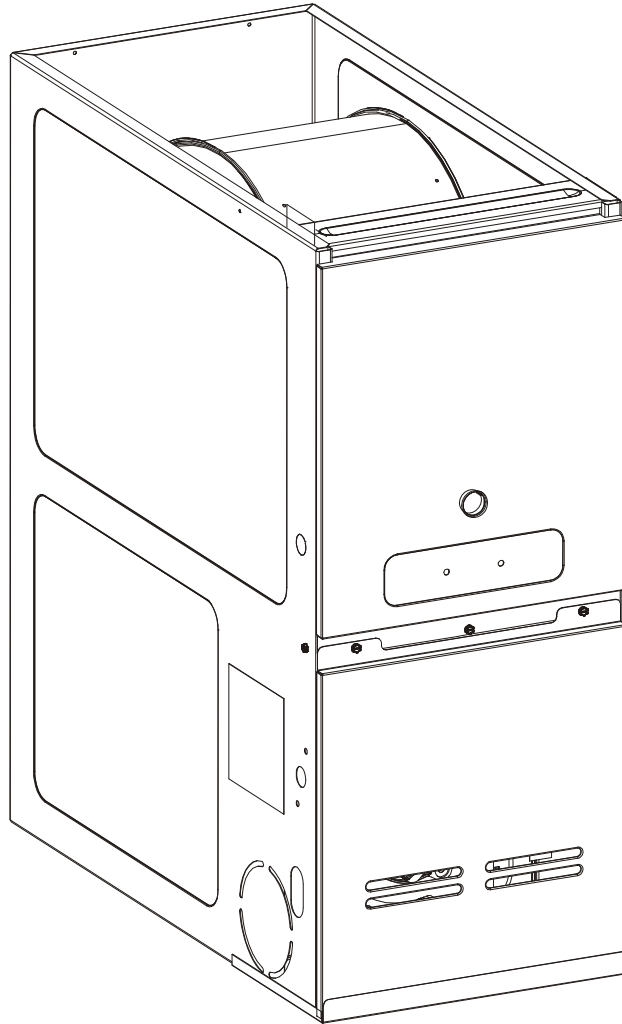


**GDS8 80% Furnace**

GDS80453AXCA  
GDS80453AXCB  
GDS80703AXCA  
GDS80703AXCB  
GDS80904BXCA  
GDS80904BXC  
GDS81155CXCA  
GDS81155CXC



This manual is to be used by qualified technicians only.

This manual replaces RP-564

© 2009-2010 Goodman Manufacturing Company, L.P. ♦ 5151 San Felipe, Suite 500 ♦ Houston, TX 77056

# Important Information

---

## Index

Functional Parts List .....	3
Illustration and Parts .....	4 - 9

*Views shown are for parts illustrations only, not servicing procedures*

Rev. A: Added CB revision models.

### Text Codes:

AR - As Required

NA - Not Available

NS - Not Shown

00000000 - See Note

QTY - Quantity Example (QTY 3) (If Quantity not shown, Quantity = 1)

M - Model Example (M1) (If M Code not shown, then part is used on all Models)

### Expanded Model Nomenclature:

Example M1 - Model#1 M2 - Model#2 M3 - Model#3
---

Goodman Manufacturing Company, L.P. is not responsible for personal injury or property damage resulting from improper service. Review all service information before beginning repairs.

Warranty service must be performed by an authorized technician, using authorized factory parts. If service is required after the warranty expires, Goodman Manufacturing Company, L.P. also recommends contacting an authorized technician and using authorized factory parts.

Goodman Manufacturing Company, L.P. reserves the right to discontinue, or change at any time, specifications or designs without notice or without incurring obligations.

For assistance within the U.S.A. contact:  
Consumer Affairs Department  
Goodman Manufacturing Company, L.P.  
7401 Security Way  
Houston, Texas 77040  
877-254-4729-Telephone  
713-863-2382-Facsimile

For assistance outside the U.S.A. contact:  
International Division  
Goodman Manufacturing Company, L.P.  
7401 Security Way  
Houston, Texas 77040  
713-861-2500-Telephone  
713-863-2382-Facsimile

# Functional Parts

**Part**

**No: Description:**

2539307	BLOWER HOUSING 10 X 10 (M7, M8)
2539305	BLOWER HOUSING 10 X 6 (M1, M2, M3, M4)
2539306	BLOWER HOUSING 10 X 8 (M5, M6)
0131F00022	BLOWER MOTOR 1/2 HP, 4 SP, 6 PL (M5, M6)
20046618	BLOWER MOTOR 3/4 HP (M7, M8)
B1368047	BLOWER WHEEL 10 X 10 (M7, M8)
B1368034	BLOWER WHEEL 10 X 6 (M1, M2, M3, M4)
B1368016	BLOWER WHEEL 10 X 8 (M5, M6)
CAP125000370RP	CAPACITOR 12.5/370V (M1, M2, M3, M4)
CAP200000440RP	CAPACITOR 20/370V (M5, M6)
CAP250000370RP	CAPACITOR 25/370V (M7, M8)
0130F00010	FLAME SENSOR
B1282628	GAS VALVE (36G) (M1, M3, M5, M7)
0151M00013	GAS VALVE (HONEYWELL 1 STG) (M2, M4, M6, M8)
PCBBF123	IGNITION BOARD, HSI INTEGRATED
20165703	IGNITOR
B1370818	INTERLOCK SWITCH
10123529	MANUAL RESET LIMIT
0131F00021	MOTOR, 1/3HP, 4SP, 6PL (M1, M2, M3, M4)
10716003	ORIFICE (QTY AR)
0130F00038	PRIMARY LIMIT - LT BLUE 120°
0130F00036	PRIMARY LIMIT - PINK (M5, M6, M7, M8)
0130F00035	PRIMARY LIMIT - PURPLE 220° (M1, M2, M3, M4)
B1141605	TRANSFORMER 120V TO 24V, 40 VA
0131M00002	VENT MOTOR

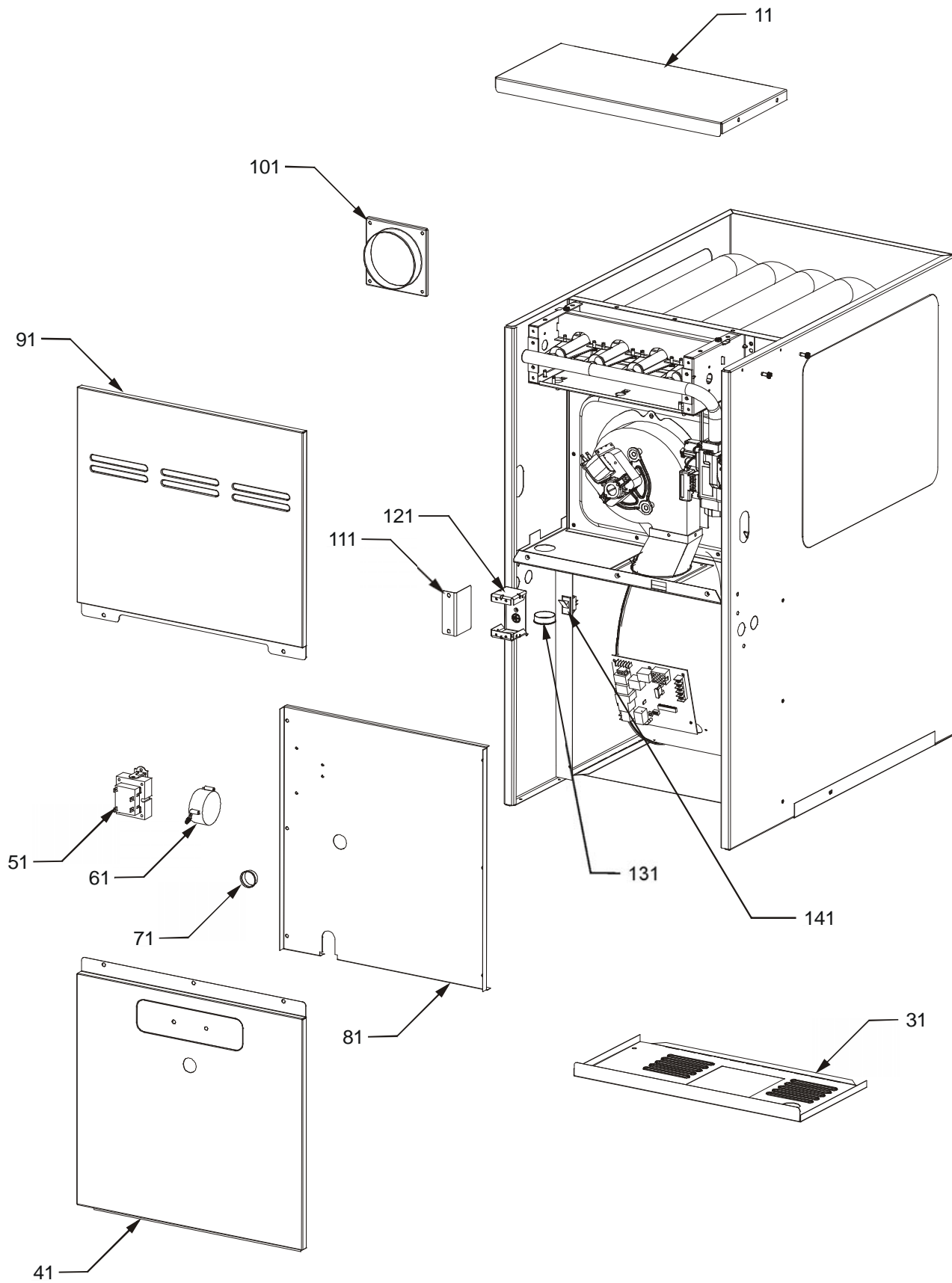
**SPECIAL PARTS**

0161F00007	GOODMAN NAMEPLATE
HI-115A	HOMEOWNERS INSTRUCTIONS (M1, M3, M5, M7)
HI-115B	HOMEOWNERS INSTRUCTIONS (M2, M4, M6, M8)
IO-669	INSTALL-HUMIDIFIER
IO-359C	INSTR, INSTL & OPER (M1, M3, M5, M7)
IO-359D	INSTR, INSTL & OPER (M2, M4, M6, M8)

Expanded Model Nomenclature

- |                   |
|-------------------|
| M1 - GDS80453AXCA |
| M2 - GDS80453AXCB |
| M3 - GDS80703AXCA |
| M4 - GDS80703AXCB |
| M5 - GDS80904BXCA |
| M6 - GDS80904BXC  |
| M7 - GDS81155CXCA |
| M8 - GDS81155CXC  |

# Cabinet Assy



# Cabinet Assy

Ref. Part No: No:	Description:	Ref. Part No: No:	Description:
-------------------	--------------	-------------------	--------------

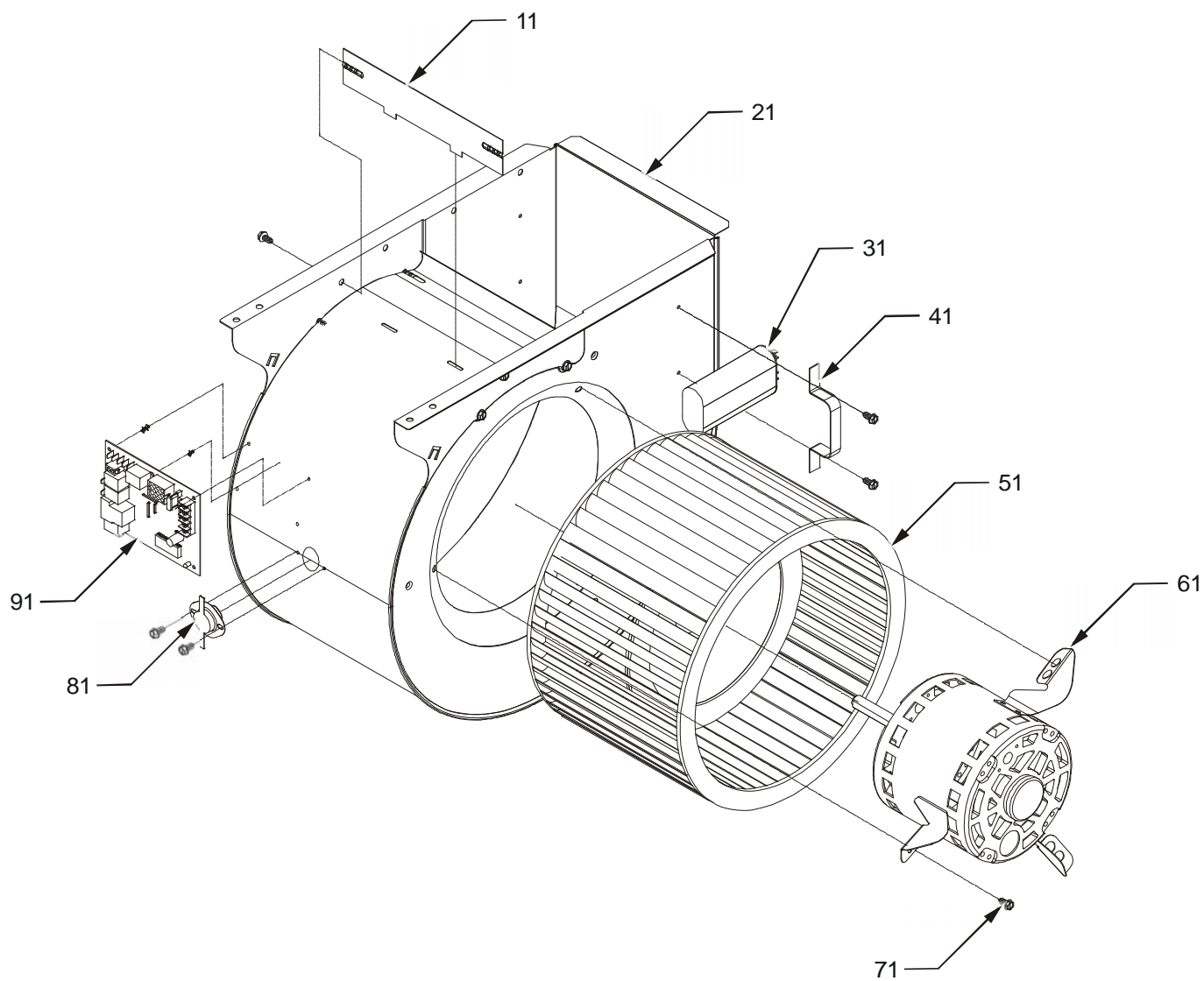
Image 1:

11	0121F00183DG	FURNACE BOTTOM 14" (M1, M2, M3, M4)
11	0121F00190DG	FURNACE BOTTOM 17.5" (M5, M6)
11	0121F00191DG	FURNACE BOTTOM 21" (M7, M8)
31	0121F00141DG	TOP 14" (M1, M2, M3, M4)
31	0121F00142DG	TOP 17.5" (M5, M6)
31	0121F00143DG	TOP 21" (M7, M8)
41	0121F00122DG	DOOR, BLOWER, 14"- (M1, M2, M3, M4)
41	0121F00123DG	DOOR, BLOWER, 17.5" (M5, M6)
41	0121F00124DG	DOOR, BLOWER, 21" (M7, M8)
51	B1141605	TRANSFORMER 120V TO 24V, 40 VA
61	B1370142	PRESSURE SWITCH 0.60" WC (M1, M2, M5, M6)
61	B1370158	PRESSURE SWITCH -0.70" WC (M3, M4, M7, M8)
71	B1392139	VIEW PORT BUSHING-BLOWER DOOR
81	0121F00185	INNER BLOWER DOOR 14" (M1, M2, M3, M4)
81	0121F00192	INNER BLOWER DOOR 17.5" (M5, M6)
81	0121F00193	INNER BLOWER DOOR 21" (M7, M8)
91	0121F00118DG	DOOR CTRL ACCESS, 14" (M1, M2, M3, M4)
91	0121F00120DG	DOOR CTRL ACCESS, 21" (M7, M8)
91	0121F00119DG	DOOR CTRL ACCESS, 17.5" (M5, M6)
101	4023500	CHIMNEY TRANSITION TOP
111	4015502	J-BOX COVER
121	4014502	J-BOX
131	0163F00001	UNIVERSAL BUSHING WITH SLICE
141	B1370818	INTERLOCK SWITCH
NS	0259F00057	ASSY, WIRE HARNESS, 12-PIN
NS	0161F00007	GOODMAN NAMEPLATE
NS	0159F00009	IGNITOR WIRE HARNESS ASSY
NS	0259F00059	KIT, WIRE DF

Expanded Model Nomenclature

- |                   |
|-------------------|
| M1 - GDS80453AXCA |
| M2 - GDS80453AXCB |
| M3 - GDS80703AXCA |
| M4 - GDS80703AXCB |
| M5 - GDS80904BXCA |
| M6 - GDS80904BXC  |
| M7 - GDS81155CXCA |
| M8 - GDS81155CXC  |

# Blower Assy



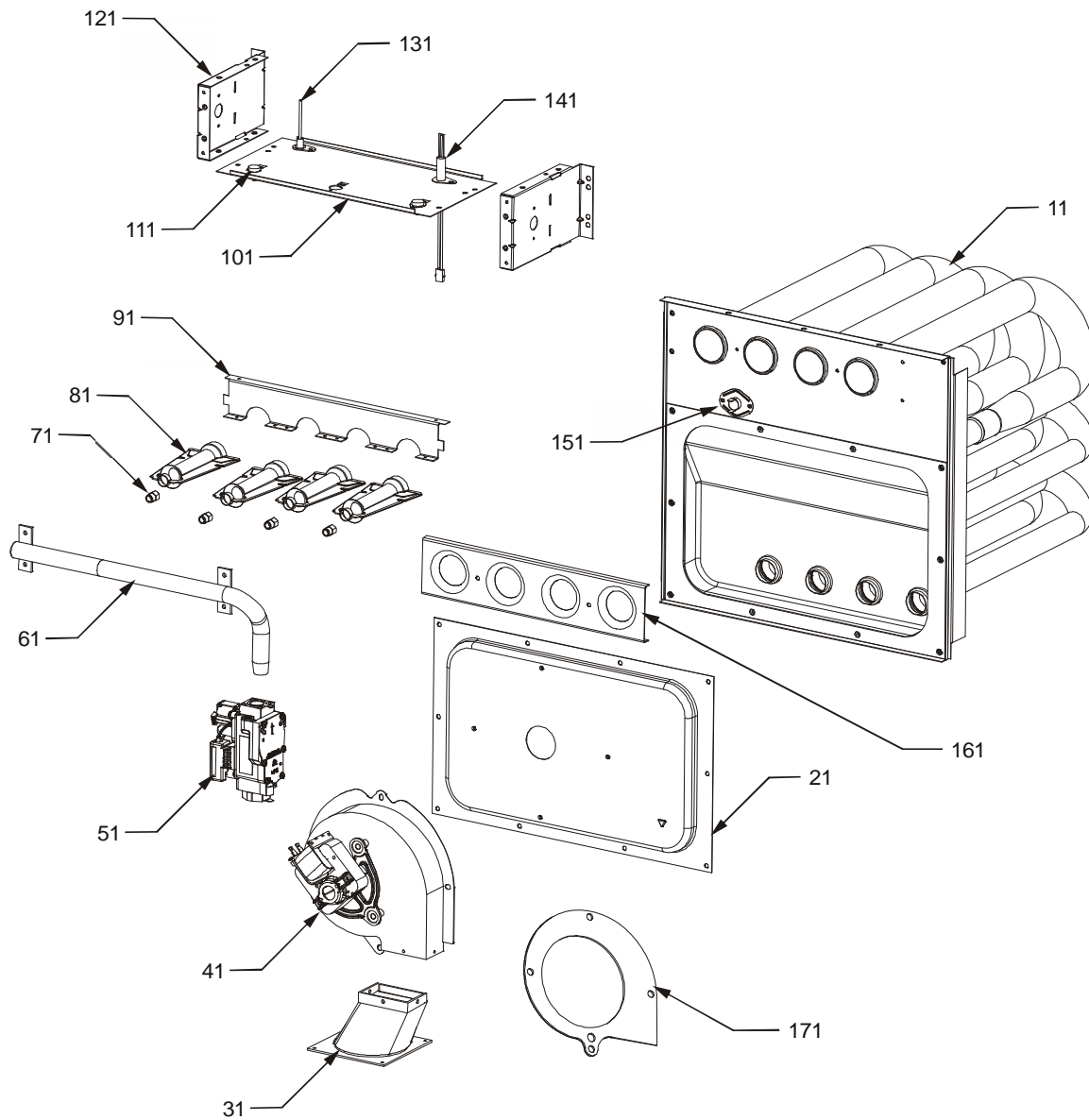
# Blower Assy

Ref. Part No:	No:	Description:	Ref. Part No:	No:	Description:
<i>Image 1:</i>					
11	764741F	BLOWER BLOCK-OFF 10 X 10 (M7, M8)			
11	764740F	BLOWER BLOCK-OFF 10 X 8 (M5, M6)			
11	764739	BLOWER CUT-OFF 10 X 6 (M1, M2, M3, M4)			
21	2539307	BLOWER HOUSING 10 X 10 (M7, M8)			
21	2539305	BLOWER HOUSING 10 X 6 (M1, M2, M3, M4)			
21	2539306	BLOWER HOUSING 10 X 8 (M5, M6)			
31	CAP125000370RP	CAPACITOR 12.5/370V (M1, M2, M3, M4)			
31	CAP200000440RP	CAPACITOR 20/370V (M5, M6)			
31	CAP250000370RP	CAPACITOR 25/370V (M7, M8)			
41	1284835	CAPACITOR STRAP			
51	B1368047	BLOWER WHEEL 10 X 10 (M7, M8)			
51	B1368034	BLOWER WHEEL 10 X 6 (M1, M2, M3, M4)			
51	B1368016	BLOWER WHEEL 10 X 8 (M5, M6)			
61	0131F00022	BLOWER MOTOR 1/2 HP, 4 SP, 6 PL (M5, M6)			
61	20046618	BLOWER MOTOR 3/4 HP (M7, M8)			
61	0131F00021	MOTOR, 1/3HP, 4SP, 6PL (M1, M2, M3, M4)			
71	M0250558	TC SCREW (QTY 3)			
81	0130F00038	PRIMARY LIMIT - LT BLUE 120°			
91	PCBBF123	IGNITION BOARD, HSI INTEGRATED			

Expanded Model Nomenclature

- |                   |
|-------------------|
| M1 - GDS80453AXCA |
| M2 - GDS80453AXCB |
| M3 - GDS80703AXCA |
| M4 - GDS80703AXCB |
| M5 - GDS80904BXCA |
| M6 - GDS80904BXC  |
| M7 - GDS81155CXCA |
| M8 - GDS81155CXC  |

# Heat Exchanger Assy



# Heat Exchanger Assy

Ref. Part No:	No:	Description:	Ref. Part No:	No:	Description:
<i>Image 1:</i>					
11	0270F00900	HEAT EXCHANGER ASSY (M1, M2)			
11	0270F00901	HEAT EXCHANGER ASSY (M3, M4)			
11	0270F00902	HEAT EXCHANGER ASSY (M5, M6)			
11	0270F00903	HEAT EXCHANGER ASSY (M7, M8)			
21	0121F00126	FLUE COLLECTOR BOX KIT 14" 1.25 DIA (M1, M2)			
21	0121F00208	FLUE COLLECTOR BOX KIT 14" 2.5 DIA (M3, M4)			
21	0121F00201	FLUE COLLECTOR BOX KIT 17.5", 2.5 DIA (M5, M6)			
21	0121F00200	FLUE COLLECTOR BOX KIT 21" 2.75 DIA (M7, M8)			
31	0128F00006	CHIMNEY TRANSITION BOTTOM			
41	0131M00002	VENT MOTOR			
51	B1282628	GAS VALVE (36G) (M1, M3, M5, M7)			
51	0151M00013	GAS VALVE (HONEYWELL 1 STG) (M2, M4, M6, M8)			
61	0120F00006	MANIFOLD (M1, M2)			
61	0120F00007	MANIFOLD (M3, M4)			
61	0120F00008	MANIFOLD (M5, M6)			
61	0120F00009	MANIFOLD (M7, M8)			
71	10716003	ORIFICE (QTY AR)			
81	B4022700	INSHOT BURNER ASSY 3" (QTY AR)			
91	0121F00167	BURNER BRACKET 2B (M1, M2)			
91	0121F00168	BURNER BRACKET 3B (M3, M4)			
91	0121F00169	BURNER BRACKET 4B (M5, M6)			
91	0121F00170	BURNER BRACKET 5B (M7, M8)			
101	0121F00162	BURNER BOX TOP 2 CELL (M1, M2)			
101	0121F00163	BURNER BOX TOP 3 CELL (M3, M4)			
101	0121F00164	BURNER BOX TOP 4 CELL (M5, M6)			
101	0121F00165	BURNER BOX TOP 5 CELL (M7, M8)			
111	10123529	MANUAL RESET LIMIT			
121	0121F00146	BURNER BOX SIDE (QTY 2)			
131	0130F00010	FLAME SENSOR			
141	20165703	IGNITOR			
151	0130F00036	PRIMARY LIMIT - PINK (M5, M6, M7, M8)			
151	0130F00035	PRIMARY LIMIT - PURPLE 220° (M1, M2, M3, M4)			
161	4028000	ORIFICE SHIELD 2 CELL (M1, M2)			
161	4028001	ORIFICE SHIELD 3 CELL (M3, M4)			
161	4028002	ORIFICE SHIELD 4 CELL (M5, M6)			
161	4028003	ORIFICE SHIELD 5 CELL (M7, M8)			
171	0154F00003	VENT MOTOR GASKET 14" (M1, M2, M3, M4)			
171	0154F00004	VENT MOTOR GASKET 17.5" (M5, M6)			
171	0154F00005	VENT MOTOR GASKET 21" (M7, M8)			

Expanded Model Nomenclature

- |                   |
|-------------------|
| M1 - GDS80453AXCA |
| M2 - GDS80453AXCB |
| M3 - GDS80703AXCA |
| M4 - GDS80703AXCB |
| M5 - GDS80904BXCA |
| M6 - GDS80904BXC  |
| M7 - GDS81155CXCA |
| M8 - GDS81155CXC  |