



REPAIR PARTS

GD/GDI/GDE Gas Furnaces

GD075-3
GD100-3
GD100-4
GD125-5
GD150-5
GDE060-3
GDE080-4
GDE100-5
GDE120-5
GDI075-3
GDI100-3
GDI100-4
GDI125-5
GDI150-5

This manual is to be used by qualified technicians only.

© 1989-2008 Goodman Manufacturing Company, L.P. ♦ 5151 San Felipe, Suite 500 ♦ Houston, TX 77056

Important Information

Index

Functional Parts List	3
Illustration and Parts	4 - 13

Views shown are for parts illustrations only, not servicing procedures.

Text Codes:

AR - As Required

NA - Not Available

NS - Not Shown

00000000 - See Note

QTY - Quantity Example (QTY 3) (If Quantity not shown, Quantity = 1)

M - Model Example (M1) (If M Code not shown, then part is used on all Models)

Expanded Model Nomenclature:

Example M1 - Model#1 M2 - Model#2 M3 - Model#3

Goodman Manufacturing Company, L.P. is not responsible for personal injury or property damage resulting from improper service. Review all service information before beginning repairs.

Warranty service must be performed by an authorized technician, using authorized factory parts. If service is required after the warranty expires, Goodman Manufacturing Company, L.P. also recommends contacting an authorized technician and using authorized factory parts.

Goodman Manufacturing Company, L.P. reserves the right to discontinue, or change at any time, specifications or designs without notice or without incurring obligations.

For assistance within the U.S.A. contact:
Consumer Affairs Department
Goodman Manufacturing Company, L.P.
7401 Security Way
Houston, Texas 77040
877-254-4729-Telephone
713-863-2382-Facsimile

For assistance outside the U.S.A. contact:
International Division
Goodman Manufacturing Company, L.P.
7401 Security Way
Houston, Texas 77040
713-861-2500-Telephone
713-863-2382-Facsimile

Functional Parts

Part

No: Description:

B1370100	AUXILIARY LIMIT 140°F
B1340020S	BLOWER MOTOR 1/2 HP, DIRECT DRIVE (M5, M6, M12)
B1340021	BLOWER MOTOR 1/3 HP, DIRECT DRIVE (M1, M2, M3, M4, M11)
B1340022S	BLOWER MOTOR 3/4 HP, DIRECT DRIVE (M9, M10, M14)
B1340023	BLOWER MOTOR 3/4 HP, DIRECT DRIVE (M7, M8, M13)
CAP200000370RPS	CAPACITOR 20/370V (M7, M8, M13)
CAP075000370VAS	CAPACITOR 7.5/370V (M1, M2, M3, M4, M5, M6, M9, M10, M11, M12, M14)
B1497204	ENERGY CUT-OFF DEVICE 141°C
B1370121	FAN LIMIT CONTROL 11" [OBSOLETE] (M1, M2, M9, M10, M11, M14)
B1370118	FAN LIMIT CONTROL 5" [OBSOLETE] (M7, M8, M13)
B1370120	FAN LIMIT CONTROL 8" [OBSOLETE] (M3, M4, M5, M6, M12)
B1370752	HEAT RELAY 208-230, 460, 575
B1141649	TRANSFORMER 40V [OBSOLETE]

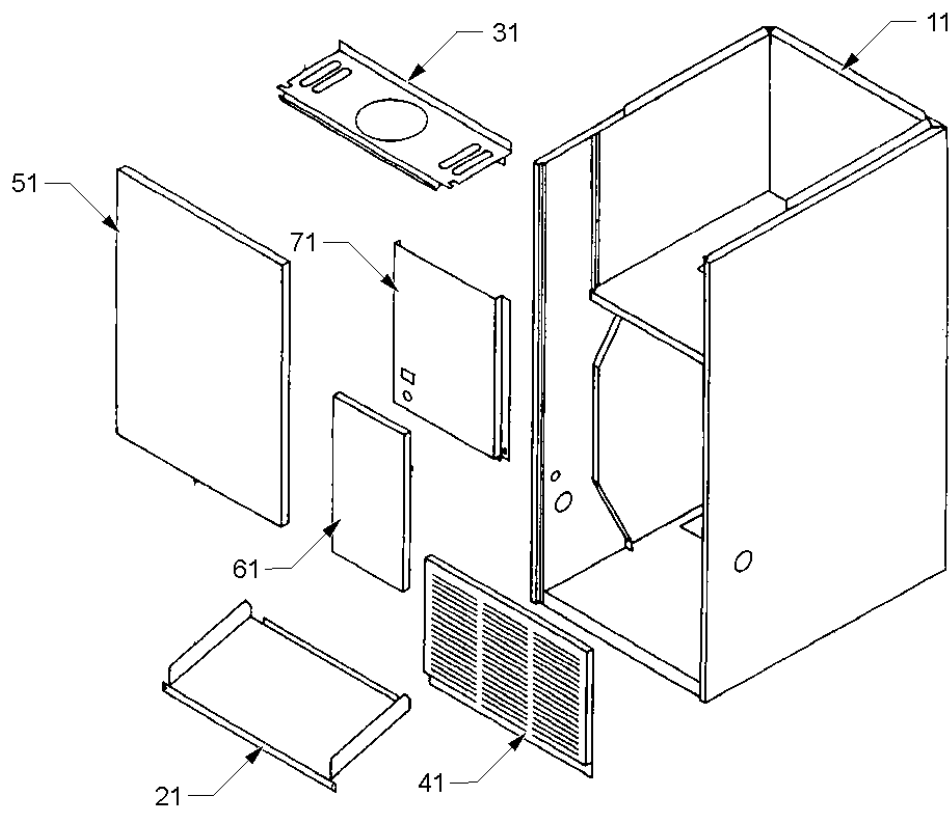
SPECIAL PARTS

RP-124A REPAIR PARTS MANUAL

Expanded Model Nomenclature

M1 - GD075-3
M2 - GDI075-3
M3 - GD100-3
M4 - GDI100-3
M5 - GD100-4
M6 - GDI100-4
M7 - GD125-5
M8 - GDI125-5
M9 - GD150-5
M10 - GDI150-5
M11 - GDE060-3
M12 - GDE080-4
M13 - GDE100-5
M14 - GDE120-5

Cabinet Assy



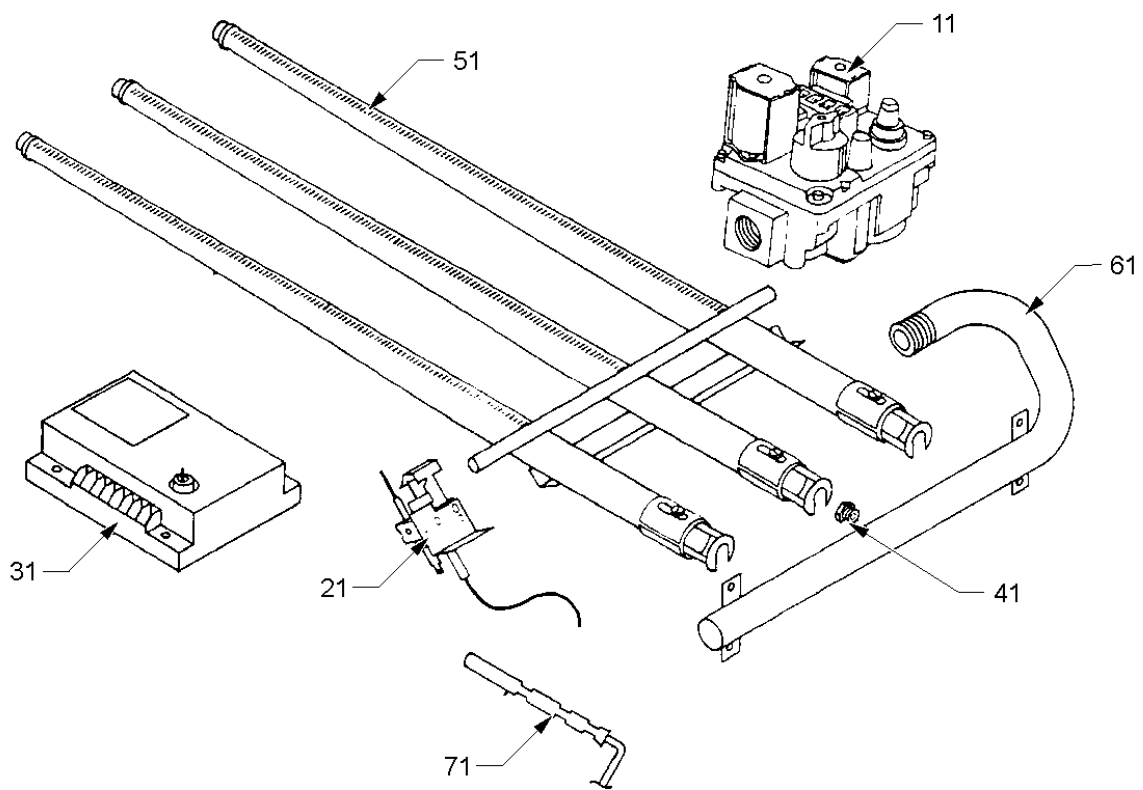
Cabinet Assy

Ref. Part No:	No:	Description:	Ref. Part No:	No:	Description:
<i>Image 1:</i>					
11	1815204	WRAPPER (M1, M2, M11)			
11	1815205	WRAPPER (M3, M4, M5, M6, M12)			
11	1815206	WRAPPER (M7, M8, M13)			
11	1815207	WRAPPER (M9, M10, M14)			
21	1801401P	DIVERTER SHELF (M3, M4, M5, M6, M12)			
21	1801402P	DIVERTER SHELF (M7, M8, M13)			
21	1801403P	DIVERTER SHELF (M9, M10, M14)			
21	1801400	DIVERTER SHELF [OBSOLETE] (M1, M2, M11)			
31	1822009	TOP PANEL ASSY (M1, M2, M11)			
31	1822010	TOP PANEL ASSY (M3, M4, M5, M6, M12)			
31	1822011	TOP PANEL ASSY (M7, M8, M13)			
31	1822012	TOP PANEL ASSY (M9, M10, M14)			
41	1822200P	CONTROL ACCESS DOOR (M1, M2, M11)			
41	1822201P	CONTROL ACCESS DOOR (M3, M4, M5, M6, M12)			
41	1822203P	CONTROL ACCESS DOOR (M9, M10, M14)			
41	1822202	CONTROL ACCESS DOOR [OBSOLETE] (M7, M8, M13)			
51	1822304P	OUTER BLOWER DOOR (M1, M2, M11)			
51	1822305P	OUTER BLOWER DOOR (M3, M4, M5, M6, M12)			
51	1822306P	OUTER BLOWER DOOR (M7, M8, M13)			
51	1822307P	OUTER BLOWER DOOR (M9, M10, M14)			
61	1822309	INNER BLOWER DOOR (M1, M2, M11)			
61	1822310	INNER BLOWER DOOR (M3, M4, M5, M6, M12)			
61	1822311	INNER BLOWER DOOR (M7, M8, M13)			
61	1822312	INNER BLOWER DOOR (M9, M10, M14)			
71	1822326	FIXED BLOWER DOOR (M1, M2, M3, M4, M5, M6, M11, M12)			
71	1822335	FIXED BLOWER DOOR (M7, M8, M9, M10, M13, M14)			

Expanded Model Nomenclature

- | |
|----------------|
| M1 - GD075-3 |
| M2 - GDI075-3 |
| M3 - GD100-3 |
| M4 - GDI100-3 |
| M5 - GD100-4 |
| M6 - GDI100-4 |
| M7 - GD125-5 |
| M8 - GDI125-5 |
| M9 - GD150-5 |
| M10 - GDI150-5 |
| M11 - GDE060-3 |
| M12 - GDE080-4 |
| M13 - GDE100-5 |
| M14 - GDE120-5 |

Gas Train



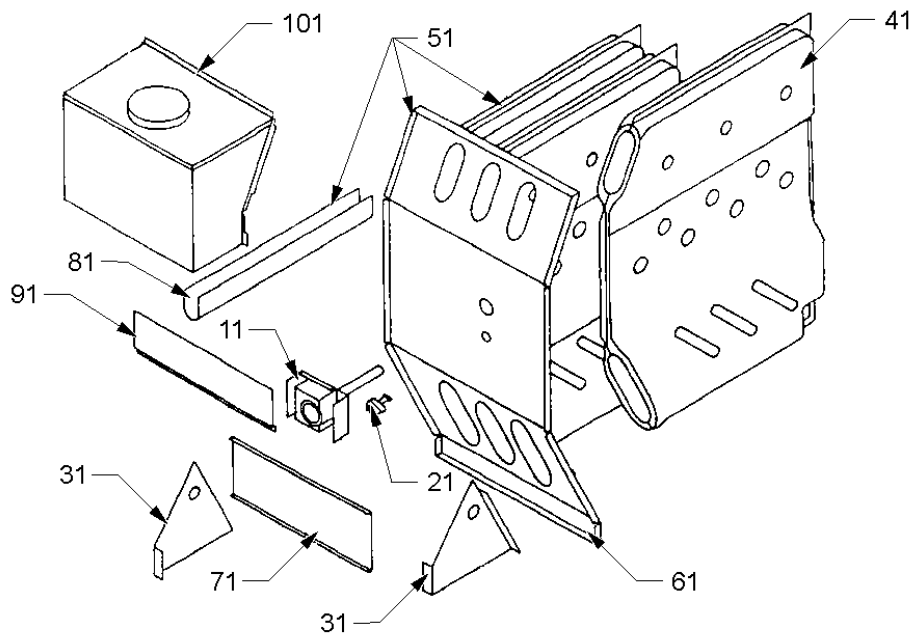
Gas Train

Ref. Part No:	No:	Description:	Ref. Part No:	No:	Description:
<i>Image 1:</i>					
11	B1282602	GAS VALVE - HONEYWELL (M1, M2, M3, M4, M5)			
11	B1282607	GAS VALVE, HONEYWELL [OBSOLETE] (M5, M6, M7, M8, M9, M10, M11, M12, M13, M14)			
11	B1282606	GAS VALVE-W.R [OBSOLETE] (M5, M6, M7, M8, M9, M10, M11, M12, M13, M14)			
21	B140100S	PILOT ASSY (M1, M2, M3, M4, M5)			
21	B140103S	PILOT ASSY (M6, M7, M8, M9, M10, M11, M12, M13, M14)			
31	B1370724	MODULE [LP GAS] (M6, M7, M8, M9, M10, M11, M12, M13, M14)			
31	B1370724	MODULE [NAT GAS] (M6, M7, M8, M9, M10, M11, M12, M13, M14)			
41	B1789342	ORIFICE (M1, M2, M3, M4, M5, M6, M7, M8, M9, M10)			
41	B1789345	ORIFICE (M11, M12, M13, M14)			
51	B1822500S	BURNER 2 CELL (M2, M3, M4, M7, M8, M9, M12, M13)			
51	B1822501S	BURNER 3 CELL (M1, M4, M5, M6, M9, M10, M11, M13, M14)			
61	B1826403	MANIFOLD - 5 BRNR [OBSOLETE] (M4, M9, M13)			
61	B1826404	MANIFOLD - 6 BRNR [OBSOLETE] (M5, M10, M14)			
61	B1826401	MANIFOLD 3 CL (M1, M6, M11)			
61	B1826402	MANIFOLD 4 CL (M2, M3, M7, M8, M12)			
71	B1172600	THERMOCOUPLE (M1, M2, M3, M4, M5)			

Expanded Model Nomenclature

M1 - GD075-3
M2 - GDI075-3
M3 - GD100-3
M4 - GDI100-3
M5 - GD100-4
M6 - GDI100-4
M7 - GD125-5
M8 - GDI125-5
M9 - GD150-5
M10 - GDI150-5
M11 - GDE060-3
M12 - GDE080-4
M13 - GDE100-5
M14 - GDE120-5

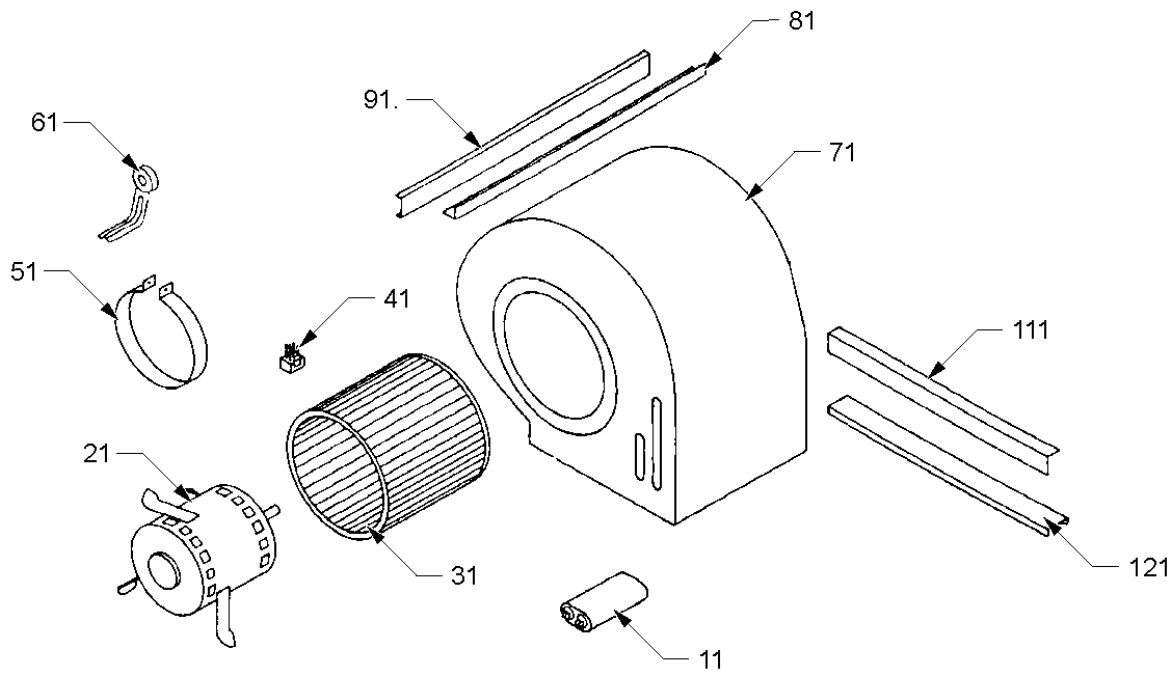
Heat Exchanger Assy



Heat Exchanger Assy

Ref. Part No:	No:	Description:	Ref. Part No:	No:	Description:
<i>Image 1:</i>			Expanded Model Nomenclature		
11	B1370121	FAN LIMIT CONTROL 11" [OBSOLETE] (M1, M2, M9, M10, M11, M14)	M1 -	GD075-3	
11	B1370118	FAN LIMIT CONTROL 5" [OBSOLETE] (M7, M8, M13)	M2 -	GDI075-3	
11	B1370120	FAN LIMIT CONTROL 8" [OBSOLETE] (M3, M4, M5, M6, M12)	M3 -	GD100-3	
21	B1497204	ENERGY CUT-OFF DEVICE 141°C	M4 -	GDI100-3	
31	1815902	MANIFOLD SUPPORT BRACKET - LH	M5 -	GD100-4	
31	1815901	MANIFOLD SUPPORT BRACKET - RH	M6 -	GDI100-4	
41	18210HE	HEAT EXCHANGER CELL (QTY AR)	M7 -	GD125-5	
51	1821211S	HEAT EXCHANGER ASSY (M7, M8, M13)	M8 -	GDI125-5	
51	1821214S	HEAT EXCHANGER ASSY (M1, M2, M11)	M9 -	GD150-5	
51	1921205S	HEAT EXCHANGER ASSY (M9, M10, M14)	M10 -	GDI150-5	
51	0257F00075	SUB-ASSY, HEAT EXCHANGER 4 CL 17" (M3, M4, M5, M6, M12)	M11 -	GDE060-3	
61	1821307	INNER FRONT PANEL W/INSUL. [OBSOLETE] (M1, M2, M11)	M12 -	GDE080-4	
61	1821308	INNER FRONT PANEL W/INSUL. [OBSOLETE] (M3, M4, M5, M6, M12)	M13 -	GDE100-5	
61	1821309	INNER FRONT PANEL W/INSUL. [OBSOLETE] (M7, M8, M13)	M14 -	GDE120-5	
61	1821310	INNER FRONT PANEL W/INSUL. [OBSOLETE] (M9, M10, M14)			
71	1822408	SECONDARY AIR DOOR (M1, M2, M11)			
71	1822409	SECONDARY AIR DOOR (M3, M4, M5, M6, M12)			
71	1822410	SECONDARY AIR DOOR (M7, M8, M13)			
71	1822411	SECONDARY AIR DOOR (M9, M10, M14)			
81	1822800	FLUE BAFFLE (QTY AR)			
91	1822802	FLUE RESTRICTOR (M1, M2)			
91	1822807	FLUE RESTRICTOR (M9, M10)			
91	1822810	FLUE RESTRICTOR (M12)			
91	1822811	FLUE RESTRICTOR (M13)			
91	1822812	FLUE RESTRICTOR (M14)			
91	1822813	FLUE RESTRICTOR (M11)			
91	1822814	FLUE RESTRICTOR (M3, M4, M5, M6)			
91	1822815	FLUE RESTRICTOR (M7, M8)			
101	1801303	DRAFT DIVERTER (M3, M4, M5, M6)			
101	1801307	DRAFT DIVERTER (M7, M8, M13)			
101	1801309	DRAFT DIVERTER (M9, M10, M14)			
101	1801301	DRAFT DIVERTER [OBSOLETE] (M1, M2, M11)			
101	1801305	DRAFT DIVERTER [OBSOLETE] (M12)			

Blower Assy

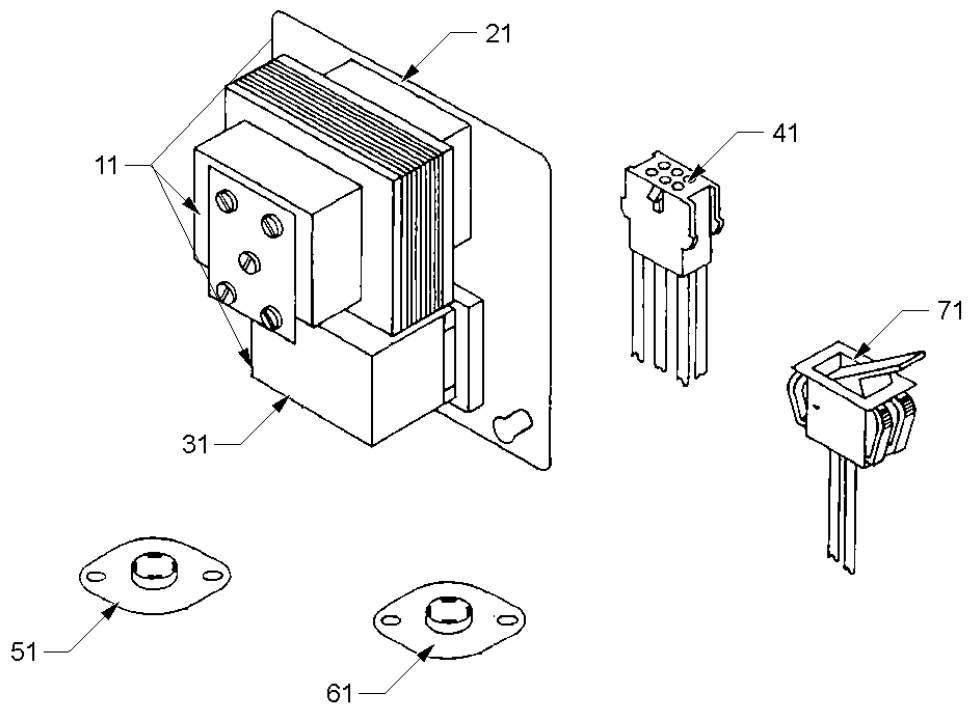


Blower Assy

Ref. Part No:	No:	Description:	Ref. Part No:	No:	Description:
<i>Image 1:</i>			Expanded Model Nomenclature		
11	CAP200000370RPS	CAPACITOR 20/370V (M7, M8, M13)	M1	-	GD075-3
11	CAP075000370VAS	CAPACITOR 7.5/370V (M1, M2, M3, M4, M5, M6, M9, M10, M11, M12, M14)	M2	-	GDI075-3
21	B1340020S	BLOWER MOTOR 1/2 HP, DIRECT DRIVE (M5, M6, M12)	M3	-	GD100-3
21	B1340021	BLOWER MOTOR 1/3 HP, DIRECT DRIVE (M1, M2, M3, M4, M11)	M4	-	GDI100-3
21	B1340022S	BLOWER MOTOR 3/4 HP, DIRECT DRIVE (M9, M10, M14)	M5	-	GD100-4
21	B1340023	BLOWER MOTOR 3/4 HP, DIRECT DRIVE (M7, M8, M13)	M6	-	GDI100-4
31	B1368034S	BLOWER WHEEL 10 X 6 (M1, M2, M9, M10, M11, M14)	M7	-	GD125-5
31	B1368046S	BLOWER WHEEL 10 X 6 CCW (M9, M10, M14)	M8	-	GDI125-5
31	B1368016S	BLOWER WHEEL 10 X 8 (M3, M4, M5, M6, M12)	M9	-	GD150-5
31	B1368000S	BLOWER WHEEL 11 X 10 (M7, M8, M13)	M10	-	GDI150-5
41	B1368253	MALE CONNECTOR PLUG	M11	-	GDE060-3
51	B1376851	MOTOR MOUNT BAND (M7, M8, M9, M10, M13, M14)	M12	-	GDE080-4
61	B1376857	MOTOR MOUNT ARM (M7, M8, M13)	M13	-	GDE100-5
61	B1376859	MOTOR MOUNT ARM (M9, M10, M14)	M14	-	GDE120-5
71	1839301	BLOWER HOUSING 10 X 6 (M9, M10, M14)			
71	2539303S	BLOWER HOUSING 11 X 10 & 10 X 10 (M7, M8, M13)			
71	2539300S	BLOWER HOUSING ASSY w/o CUT-OFF 764730 (M1, M2, M9, M10, M11)			
71	1439391S	BLOWER HOUSING ASSY w/o CUT-OFF 764736 (M3, M4, M5, M6, M12)			
81	1817104	BLOWER MOUNTING ANGLE - REAR (M9, M10, M14)			
91	1817103	BLOWER TIE CHANNEL (M9, M10, M14)			
111	181713	BLOWER MOUNTING ANGLE - SIDES (QTY 2)			
121	1817102	BLOWER TIE PLATE (M9, M10, M14)			
NS	1868208S	BLOWER ASSY 10 X 10 [OBSOLETE] (M5, M6, M12)			
		See Note			
NS	18682011S	BLOWER ASSY 10 X 6 (2) (M9, M10, M14)			
		See Note			
NS	1868207S	BLOWER ASSY 10 X 6 [OBSOLETE] (M1, M2, M11)			
		See Note			
NS	1868209S	BLOWER ASSY 10 X 8 [OBSOLETE] (M3, M4)			
		See Note			
NS	18682017S	BLOWER ASSY 11 X 10 (M7, M8, M13)			
		See Note			

Blower Assy contains items 11 thru 91, 111 and 121.

Misc Electrical & Hardware



Misc Electrical & Hardware

Ref. Part No:	Ref. Part No:	Description:	Description:
---------------	---------------	--------------	--------------

Image 1:

11	B1141702	LOAD CENTER
21	B1141649	TRANSFORMER 40V [OBSOLETE]
31	B1370752	HEAT RELAY 208-230, 460, 575
41	1368403	CAP CONNECTOR ASSY (M1, M2, M3, M4, M5, M6, M11, M12)
41	1368404	CAP CONNECTOR ASSY (M7, M8, M13)
41	1368405	CAP CONNECTOR ASSY (M9, M10, M14)
51	B1370100	AUXILIARY LIMIT 140°F
61	B1370108	FLAME ROLLOUT SWITCH, 300° (M7, M8, M9, M10)
61	B1370102	SPILLAGE SWITCH 225°F (M11, M13, M14)
61	B1370104	SPILLAGE SWITCH 250°F (M12)
61	B1370106	SPILLAGE SWITCH 275°F (M1, M2)
61	B1370110	SPILLAGE SWITCH 330°F (M3, M4, M5, M6)
71	B1370616	DOOR INTERLOCK SWITCH

Expanded Model Nomenclature

- M1 - GD075-3
- M2 - GDI075-3
- M3 - GD100-3
- M4 - GDI100-3
- M5 - GD100-4
- M6 - GDI100-4
- M7 - GD125-5
- M8 - GDI125-5
- M9 - GD150-5
- M10 - GDI150-5
- M11 - GDE060-3
- M12 - GDE080-4
- M13 - GDE100-5
- M14 - GDE120-5

