

## GCVC96 96% ECM Counter Flow Furnace

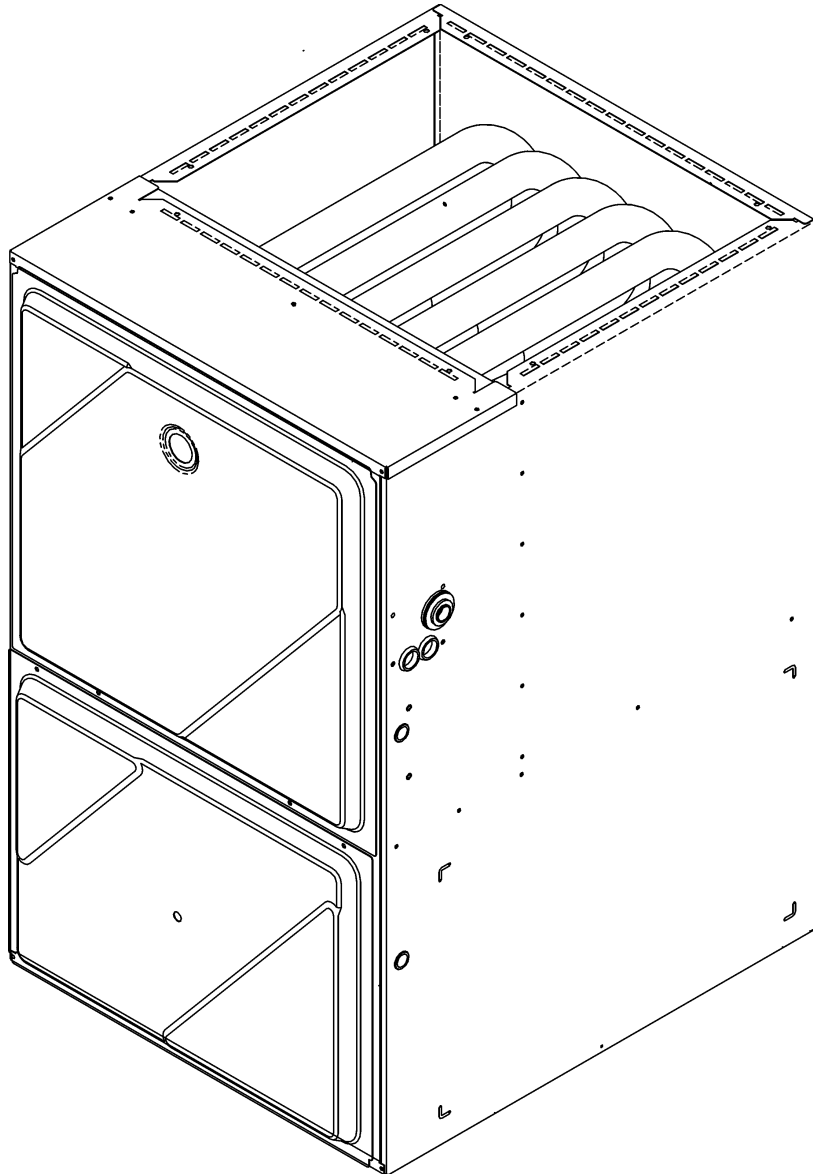
GCVC960403BNAA

GCVC960603BNAA

GCVC960804CNAA

GCVC961005CNAA

GCVC961205DNAA



This manual is to be used by qualified technicians only.

This manual replaces RP-G2000.

© 2009-2014 Goodman Manufacturing Company, L.P. ♦ 5151 San Felipe St., Suite 500 ♦ Houston, TX 77056

# Important Information

---

## Index

Functional Parts List .....	3
Illustration and Parts .....	4 - 11

*Views shown are for parts illustrations only, not servicing procedures*

Short 90% Gas Furnace Project

Rev. A: Added Drain Part Bag Assy, Bag Assy, and Decorative Screw.

### Text Codes:

AR - As Required

NA - Not Available

NS - Not Shown

00000000 - See Note

QTY - Quantity Example (QTY 3) (If Quantity not shown, Quantity = 1)

M - Model Example (M1) (If M Code not shown, then part is used on all Models)

### Expanded Model Nomenclature:

Example M1 - Model#1 M2 - Model#2 M3 - Model#3
---

Goodman Manufacturing Company, L.P. is not responsible for personal injury or property damage resulting from improper service. Review all service information before beginning repairs.

Warranty service must be performed by an authorized technician, using authorized factory parts. If service is required after the warranty expires, Goodman Manufacturing Company, L.P. also recommends contacting an authorized technician and using authorized factory parts.

Goodman Manufacturing Company, L.P. reserves the right to discontinue, or change at any time, specifications or designs without notice or without incurring obligations.

For assistance within the U.S.A. contact:  
Consumer Affairs Department  
Goodman Manufacturing Company, L.P.  
7401 Security Way  
Houston, Texas 77040  
877-254-4729-Telephone  
713-863-2382-Facsimile

For assistance outside the U.S.A. contact:  
International Division  
Goodman Manufacturing Company, L.P.  
7401 Security Way  
Houston, Texas 77040  
713-861-2500-Telephone  
713-863-2382-Facsimile

# Functional Parts

**Part No:**            **Description:**

## Expanded Model Nomenclature

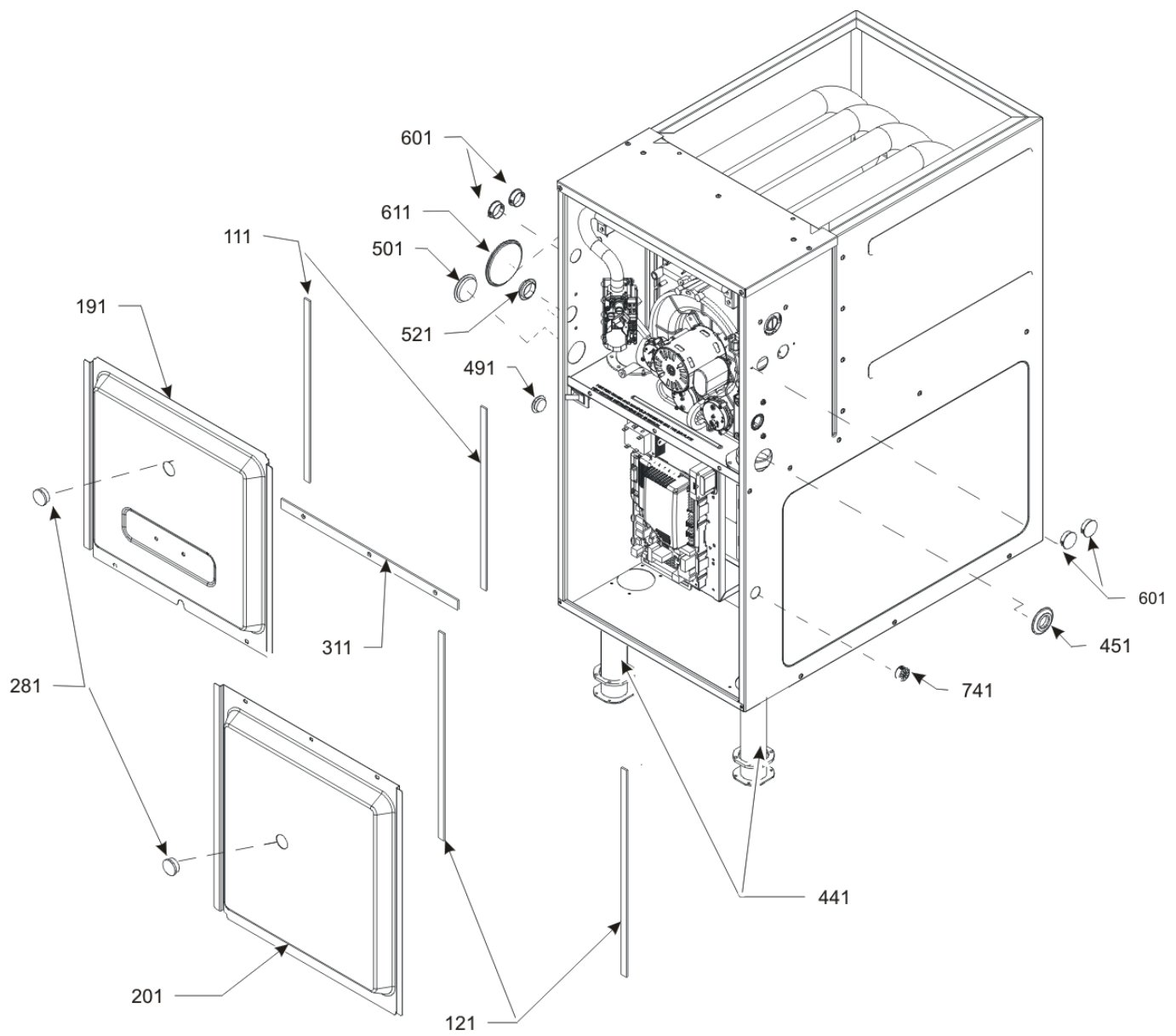
0163F00017	BECKETT BURNER (QTY 2)
0271F00181	BLOWER HSG ASSY (M1)
0271F00159	BLOWER SHELL & WHEEL ASSY (M2)
0271F00161	BLOWER SHELL & WHEEL ASSY (M3, M4)
0271F00163	BLOWER SHELL & WHEEL ASSY (M5)
0130F00383	DATA, FURNACE PCB (M5)
0130F00379	DATA, FURNACE PCB (M1)
0130F00380	DATA, FURNACE PCB (M2)
0130F00381	DATA, FURNACE PCB (M3)
0130F00382	DATA, FURNACE PCB (M4)
0130F00010	FLAME SENSOR
0151M00027	GAS VALVE
0257F00359	HEAT EXCHANGER ASSY (M3)
0257F00358	HEAT EXCHANGER ASSY (M2)
0257F00360	HEAT EXCHANGER ASSY (M4)
0257F00300	HEAT EXCHANGER ASSY. (M5)
0257F00310	HEAT EXCHANGER ASSY. (M1)
0130F00008	IGNITOR-SINI 17 SEC
0130M00141	INDUCTOR, 5.9 AMPS (GMPE100-4) (M3, M4, M5)
10690402	INTERLOCK SWITCH
0130F00123	MANUAL RESET LIMIT (M3, M4)
10123527	MANUAL RESET LIMIT (M5)
10123538	MANUAL RESET LIMIT-TAN (M2)
10123533	MANUAL RESET LIMIT-YELLOW (M1)
0131M00272	MOTOR, 1 HP, SERIAL ECM (M4, M5)
0131M00270	MOTOR, 1/2 HP, SERIAL ECM (M1, M2)
0131M00271	MOTOR, 3/4 HP, SERIAL ECM (M3)
0171M00002	MOTOR-ID, BLOWER
PCBKF104	PCB, CONTROL, FURNACE
0130F00038	PRIMARY LIMIT - LT BLUE 120° (AUX) (QTY 2)
0130F00036	PRIMARY LIMIT - PINK (M5)
0130F00035	PRIMARY LIMIT - PURPLE 220° (M2)
20162906	PRIMARY LIMIT - WHITE (M1, M4)
20162904	PRIMARY LIMIT-TEMPERATURE CONTROL (M3)
0130F00474	SWITCH, PRESSURE (M3)
0130F00473	SWITCH, PRESSURE (M2)
0130F00471	SWITCH, PRESSURE (M1)
0130F00481	SWITCH, PRESSURE (M2, M3, M4, M5)
0130F00472	SWITCH, PRESSURE (M4)
0130F00444	SWITCH, PRESSURE (M5)
0130F00486	SWITCH, PRESSURE (M1)
0130M00140	TRANSFORMER 120V TO 24V, 40VA
0150M00043	WHEEL, BLOWER (10 X 8) (M1)

M1 - GCVC960403BNAA
M2 - GCVC960603BNAA
M3 - GCVC960804CNAA
M4 - GCVC961005CNAA
M5 - GCVC961205DNAA

## SPECIAL PARTS

0161F00000P	GOODMAN NAMEPLATE
-------------	-------------------

# Cabinet



# Cabinet

Ref. Part No: No:	Description:	Ref. Part No: No:	Description:
<b>Image 1:</b>			
111	0154F00024		GASKET (QTY 2)
121	0154F00025		GASKET (QTY 2)
191	0121F00291DG		DOOR, ACCESS 17.5 PNT (M1, M2)
191	0121F00292DG		DOOR, ACCESS 21 PNT (M3, M4)
191	0121F00293DG		DOOR, ACCESS 24.5 PNT (M5)
201	0121F00288DG		DOOR, BLOWER 17.5 PNT (M1, M2)
201	0121F00289DG		DOOR, BLOWER 21 PNT (M3, M4)
201	0121F00290DG		DOOR, BLOWER 24.5 PNT (M5)
281	B1392139		VIEW PORT BUSHING-BLOWER DOOR (QTY 2)
311	0154F00020		GASKET, DECK (M1, M2)
311	0154F00021		GASKET, DECK (M3, M4)
311	0154F00022		GASKET, DECK (M5)
441	0161F00064		PIPE, STRAIGHT CF (QTY 2)
451	M0501301		PIPE GROMMET
491	M0570808		BUTTON PLUG
501	M0570806		BUTTON PLUG (QTY 2)
521	0161M00027		PLUG, HOLE
601	B1392021		PLASTIC PLUG, 1" (2713-BLK) (M1)
611	0163M00049		HOSE CLAMP (QTY 2)
741	B1392104		UNIVERSAL BUSHING UB 875
NS	0270F03139		BAG ASSY CF
NS	M0310345		BUTTON PLUG (QTY 2)
NS	M0570807		BUTTON PLUG
NS	0270F03125		CF DRAIN TUBE ASSY (M1, M2)
NS	0270F03126		CF DRAIN TUBE ASSY (M3, M4)
NS	0270F03127		CF DRAIN TUBE ASSY (M5)
NS	0270F03514		CF DRAIN TUBE ASSY (M1, M2)
NS	0270F03515		CF DRAIN TUBE ASSY (M3, M4)
NS	0270F03516		CF DRAIN TUBE ASSY (M5)
NS	0270F03141		DRAIN PART BAG ASSY CF
NS	0161F00000P		GOODMAN NAMEPLATE
NS	0159F00069		HARNES, WIRING (M2)

## Expanded Model Nomenclature

M1 - GCVC960403BNAA
M2 - GCVC960603BNAA
M3 - GCVC960804CNAA
M4 - GCVC961005CNAA
M5 - GCVC961205DNAA

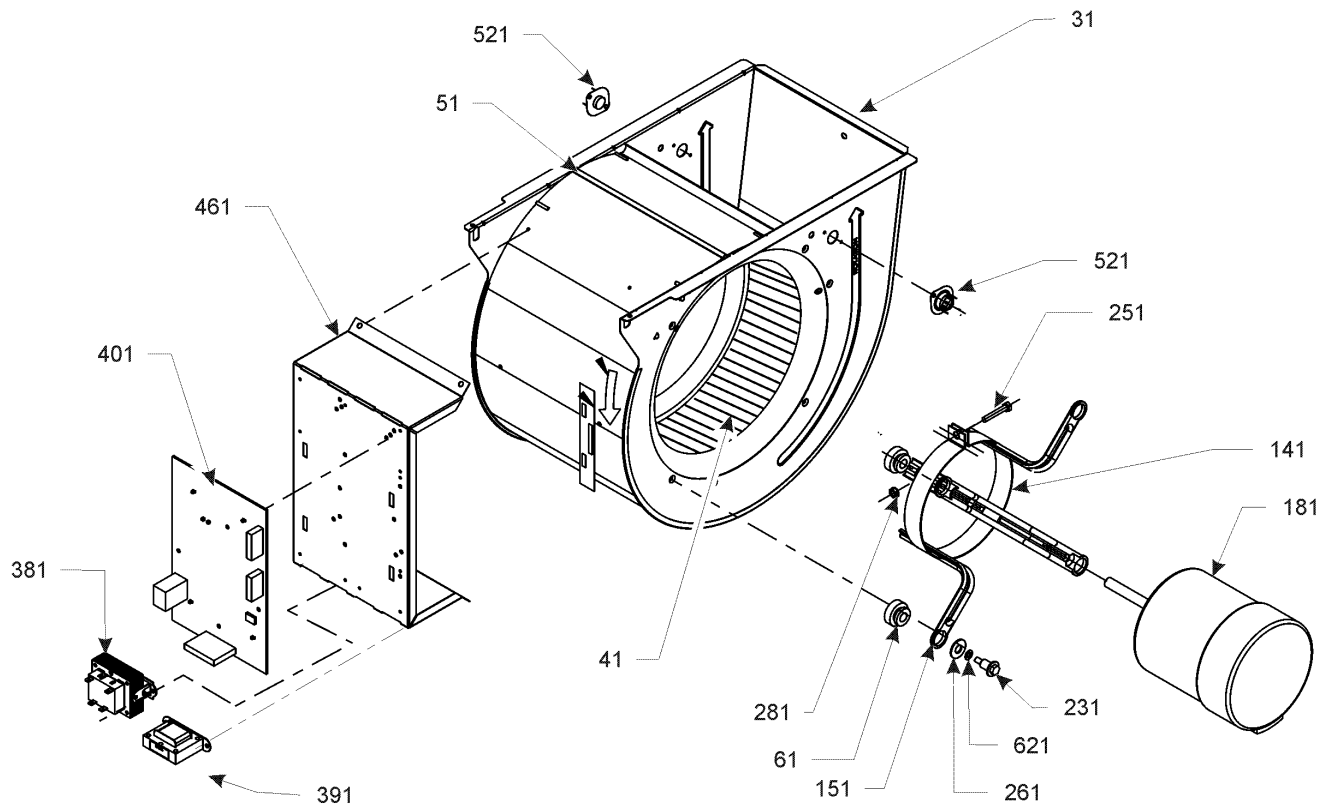
# Blower Assembly

\*If end bells are needed please order the following:

0131M00182 - 1/2 HP

0131M00183 - 3/4 HP

0131M00184 - 1 HP



# Blower Assembly

Ref. Part No:	Ref. Part No:	Description:	Description:
<b>Image 1:</b>			
31	0271F00181	BLOWER HSG ASSY (M1)	
31	0271F00159	BLOWER SHELL & WHEEL ASSY (M2)	
31	0271F00161	BLOWER SHELL & WHEEL ASSY (M3, M4)	
31	0271F00163	BLOWER SHELL & WHEEL ASSY (M5)	
41	0150M00043	WHEEL, BLOWER (10 X 8) (M1)	
51	764740	BLOWER BLOCK-OFF 10 X 8 (M1)	
61	A4002702	BLOWER MOTOR GROMMET (M3, M4, M5)	
141	0121M00038	MOTOR MOUNT BAND (M1, M2)	
141	10441601	MOTOR MOUNT BAND (M3, M4, M5)	
151	10441501	MOTOR MOUNT ARM (M3, M4, M5)	
151	B1376857	MOTOR MOUNT ARM (M1, M2)	
181	0131M00272	MOTOR, 1 HP, SERIAL ECM (M4, M5)	
181	0131M00270	MOTOR, 1/2 HP, SERIAL ECM (M1, M2)	
181	0131M00271	MOTOR, 3/4 HP, SERIAL ECM (M3)	
231	M0221461	TC SCREW (M3, M4, M5)	
231	M0250565	TC SCREW 1.25" (M1, M2)	
251	M0267144	MACHINE SCREW (M3, M4, M5)	
251	B1393323	MACHINE SCREW HWH 1/4-20 X 1-1/2 BZ (M1, M2)	
261	B1392918	WASHER, FLAT 1/4 ID X 1 OD (M1, M2)	
261	M0274008	WASHER-FLAT (M3, M4, M5)	
281	M0282015	KEPS NUT (M3, M4, M5)	
281	B1393800	LOCKNUT, NYLON, INSERT 1/4, 20 (M1, M2)	
381	0130M00140	TRANSFORMER 120V TO 24V, 40VA	
391	0130M00141	INDUCTOR, 5.9 AMPS (GMPE100-4) (M3, M4, M5)	
401	PCBKF104	PCB, CONTROL, FURNACE	
461	0121F00464	MOUNTING PLATE-CONTROLS	
521	0130F00038	PRIMARY LIMIT - LT BLUE 120° (AUX) (QTY 2)	
621	B1392820	WASHER, SPLIT LOCK 1/4 BZ (M3, M4, M5)	
NS	0259F00040	CONTROL HARNESS	
NS	0130F00379	DATA, FURNACE PCB (M1)	
NS	0130F00380	DATA, FURNACE PCB (M2)	
NS	0130F00381	DATA, FURNACE PCB (M3)	
NS	0130F00382	DATA, FURNACE PCB (M4)	
NS	0130F00383	DATA, FURNACE PCB (M5)	
NS	B1392021	PLASTIC PLUG, 1" (2713-BLK) (QTY 4)	
NS	0259F00041	POWER HARNESS HIGH VOLTAGE	
NS	0259F00024	WIRE HARNESS-BLOWER	

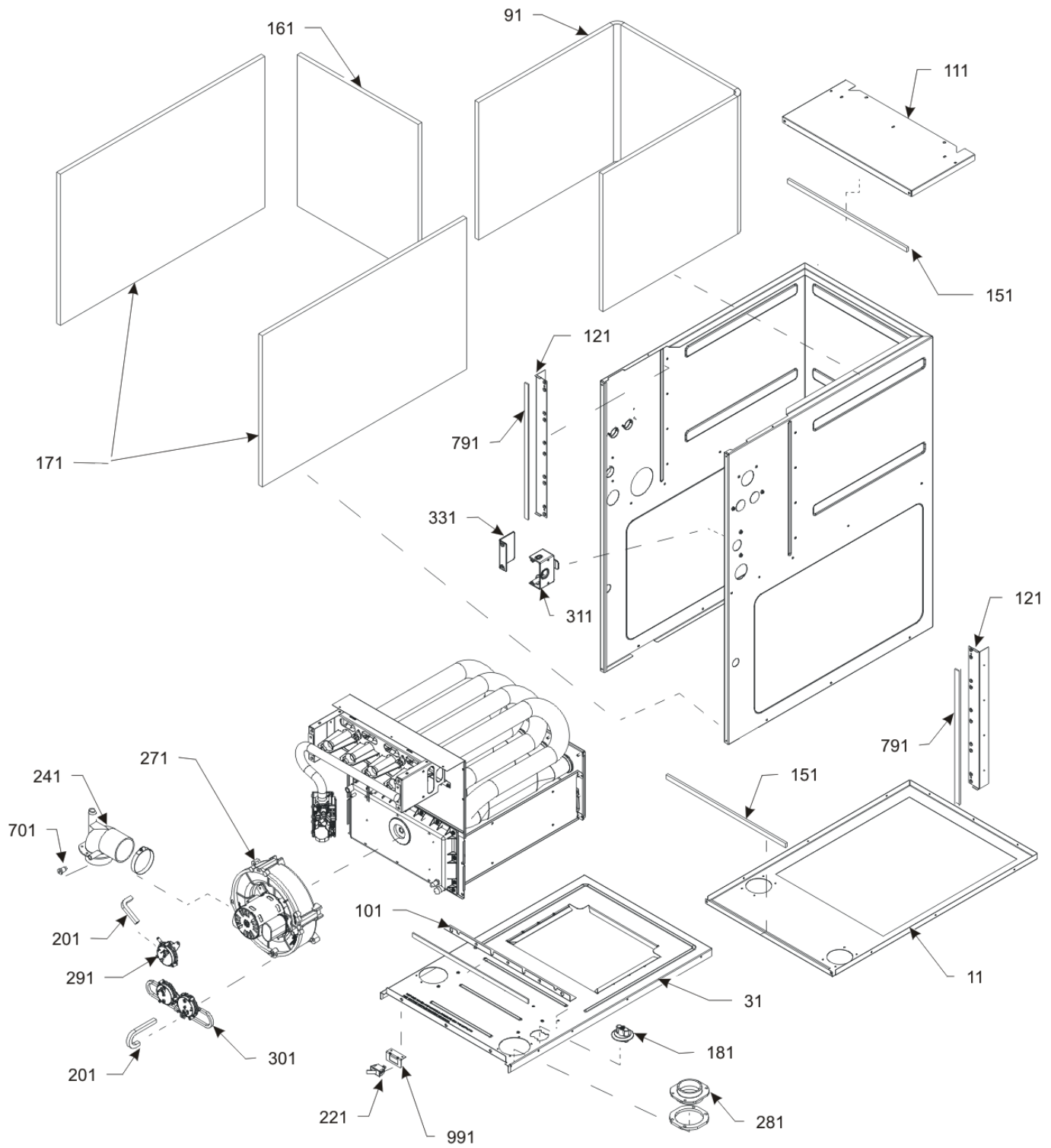
## Expanded Model Nomenclature

M1 - GCVC960403BNAA
M2 - GCVC960603BNAA
M3 - GCVC960804CNAA
M4 - GCVC961005CNAA
M5 - GCVC961205DNAA

\*If end bells are needed please order the following:

0131M00182 - 1/2 HP  
 0131M00183 - 3/4 HP  
 0131M00184 - 1 HP

# Chassis



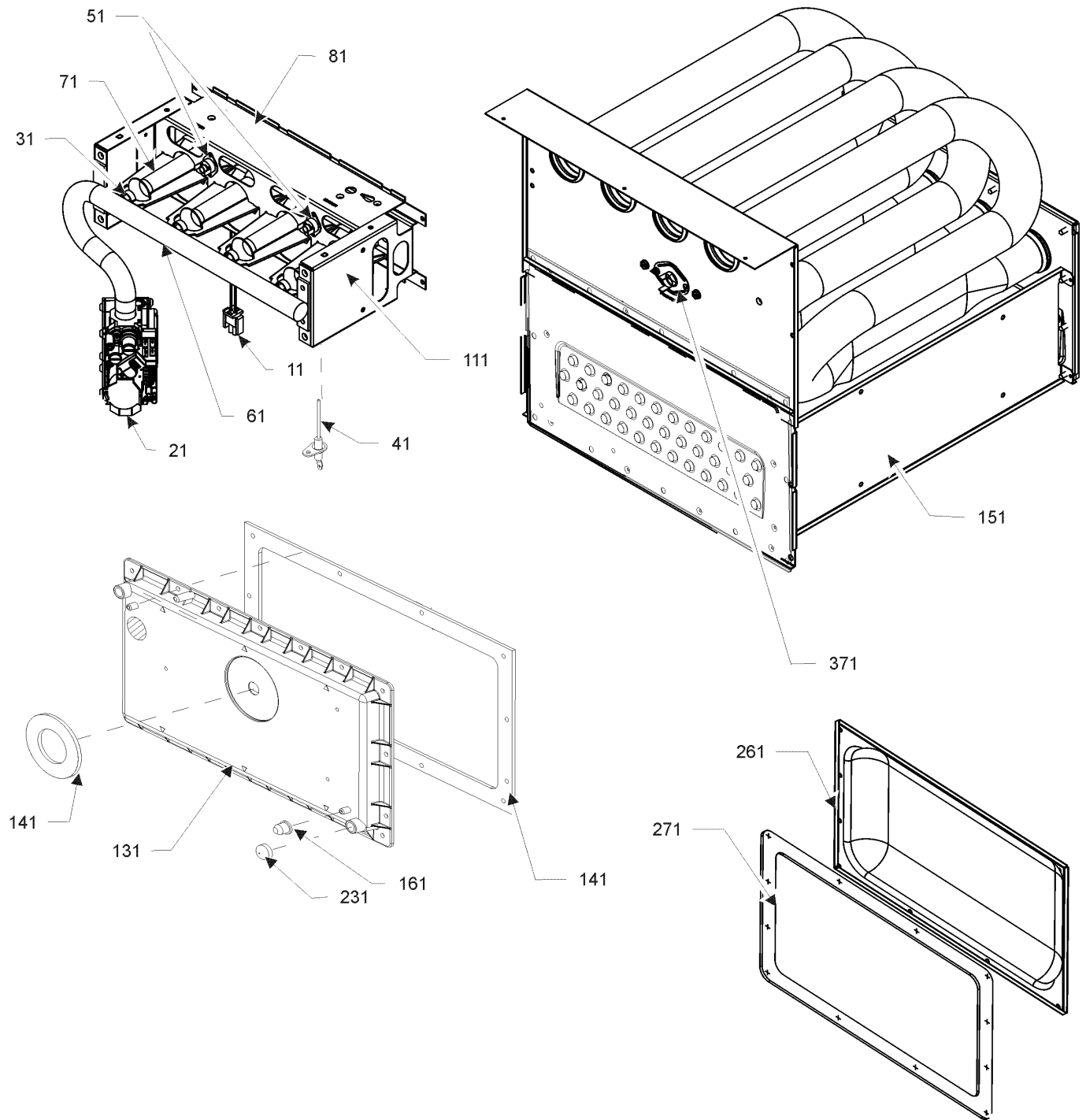
# Chassis

Ref. Part No:	No:	Description:	Ref. Part No:	No:	Description:
<i>Image 1:</i>					
11	0121F00435DG	PAINTED BASE PAN-21" C (M3, M4)			
11	0121F00443DG	PAINTED BASE PAN-24.5" CF (M5)			
11	0121F00427DG	PAINTED BASEPAN-17.5" CF (M1, M2)			
31	0121F00441	DECK, BLOWER, 24.5 CF (M5)			
31	0121F00425	DECK-BLOWER, 17.5" CF (M1, M2)			
31	0121F00433	DECK-BLOWER, 21" CF (M3, M4)			
91	0160F00015	INSULATION, HT EXCHANGER 17.5" (M1, M2)			
91	0160F00016	INSULATION, HT EXCHANGER 21" (M3, M4)			
91	0160F00017	INSULATION, HT EXCHANGER 24.5" (M5)			
101	0121F00314	ANGLE, DECK (M1, M2)			
101	0121F00315	ANGLE, DECK (M3, M4)			
101	0121F00316	ANGLE, DECK (M5)			
111	0121F00426DG	TOP, PAINTED FURNACE 17.5" CF (M1, M2)			
111	0121F00434DG	TOP, PAINTED FURNACE 21" CF (M3, M4)			
111	0121F00442DG	TOP, PAINTED FURNACE 24.5 CF (M5)			
121	0121F00313	ANGLE, SIDE (QTY 2)			
151	20179307	GASKET-FA (M5)			
151	20179309	GASKET-FA (M1, M2)			
151	20179310	GASKET-FA (M3, M4)			
161	0160F00012	INSULATION-BACK 17.5" (M1, M2)			
161	0160F00013	INSULATION-BACK 21" (M3, M4)			
161	0160F00014	INSULATION-BACK 24.5" (M5)			
171	0160F00018	INSULATION, SIDE (QTY 2)			
181	0159F00051	HARNESS-WIRING			
201	0164M00019	HOSE-PRESSURE SW 6"			
221	10690402	INTERLOCK SWITCH			
241	0164F00003	ELBOW-FLUE, 17.5" CFLOW (M1, M2)			
241	0164F00004	ELBOW-FLUE, 21" CFLOW (M3, M4)			
241	0164F00005	ELBOW-FLUE, 24.5" CFLOW (M5)			
271	0171M00002	MOTOR-ID, BLOWER			
281	0161F00037	COUPLING			
291	0130F00481	SWITCH, PRESSURE (M2, M3, M4, M5)			
291	0130F00486	SWITCH, PRESSURE (M1)			
291	0130F00486	SWITCH, PRESSURE (M1)			
301	0130F00444	SWITCH, PRESSURE (M5)			
301	0130F00471	SWITCH, PRESSURE (M1)			
301	0130F00472	SWITCH, PRESSURE (M4)			
301	0130F00473	SWITCH, PRESSURE (M2)			
301	0130F00474	SWITCH, PRESSURE (M3)			
311	0161F00042	JUNCTION BOX PLA			
331	0161F00043	JUNCTION BOX LID			
701	M0326804	TUBE PLUG			
791	0154F00015	GASKET (QTY 2)			
991	0121F00389	BRACKET, DOOR SWITCH			
NS	0161F00046	DRAIN TRAP			
NS	0154F00014	GASKET (M1, M2)			
NS	0154F00016	GASKET (M3, M4, M5)			

## Expanded Model Nomenclature

M1 - GCVC960403BNAA
M2 - GCVC960603BNAA
M3 - GCVC960804CNAA
M4 - GCVC961005CNAA
M5 - GCVC961205DNAA

# Heat Exchanger / Manifold / Gas Valve



# Heat Exchanger / Manifold / Gas Valve

Ref. Part No: No:	Description:	Ref. Part No: No:	Description:
<b>Image 1:</b>			
11	0130F00008		IGNITOR-SINI 17 SEC
21	0151M00027		GAS VALVE
31	0163F00004		ORIFICE (QTY 2)
41	0130F00010		FLAME SENSOR
51	0130F00123		MANUAL RESET LIMIT (M3, M4)
51	10123527		MANUAL RESET LIMIT (M5)
51	10123538		MANUAL RESET LIMIT-TAN (M2)
51	10123533		MANUAL RESET LIMIT-YELLOW (M1)
71	0163F00017		BECKETT BURNER (QTY 2)
81	0121F00456		BRACKET-BURNER 2 (M1)
81	0121F00455		BRACKET-BURNER 3 (M2)
81	0121F00454		BRACKET-BURNER 4 (M3)
81	0121F00453		BRACKET-BURNER 5 (M4)
81	0121F00451		BRACKET-BURNER 6 (M5)
111	0121F00469		ORIFICE BRACKET-BURNER 2 (M1)
111	0121F00468		ORIFICE BRACKET-BURNER 3 (M2)
111	0121F00467		ORIFICE BRACKET-BURNER 4 (M3)
111	0121F00466		ORIFICE BRACKET-BURNER 5 (M4)
111	0121F00465		ORIFICE BRACKET-BURNER 6 (M5)
131	0161F00015		COVER, FRONT (M1)
131	0161F00030		COVER, FRONT (M3)
131	0161F00054		COVER, FRONT (M2)
131	0161F00060		COVER, FRONT (M4)
131	0161F00070		COVER, FRONT (M5)
141	0154F00011		GASKET, FRONT (M1, M2)
141	0154F00012		GASKET, FRONT (M3, M4)
141	0154F00013		GASKET, FRONT (M5)
151	0257F00358		HEAT EXCHANGER ASSY (M2)
151	0257F00359		HEAT EXCHANGER ASSY (M3)
151	0257F00360		HEAT EXCHANGER ASSY (M4)
151	0257F00300		HEAT EXCHANGER ASSY. (M5)
151	0257F00310		HEAT EXCHANGER ASSY. (M1)
161	M0326804		TUBE PLUG
231	A1781105		CAP-VINYL .500
261	0121F00317		COVER, REAR (M1, M2)
261	0121F00318		COVER, REAR (M3, M4)
261	0121F00319		COVER, REAR (M5)
271	0154F00008		GASKET, REAR CVR (M1, M2)
271	0154F00009		GASKET, REAR CVR (M3, M4)
271	0154F00010		GASKET, REAR CVR (M5)
371	0130F00036		PRIMARY LIMIT - PINK (M5)
371	0130F00035		PRIMARY LIMIT - PURPLE 220° (M2)
371	20162906		PRIMARY LIMIT - WHITE (M1, M4)
371	20162904		PRIMARY LIMIT-TEMPERATURE CONTROL (M3)
NS	0121F00439		PRIMARY LIMIT-HEAT SHIELD
NS	0121F00355		SHIELD, COIL (QTY 2)

## Expanded Model Nomenclature

M1 - GCVC960403BNAA
M2 - GCVC960603BNAA
M3 - GCVC960804CNAA
M4 - GCVC961005CNAA
M5 - GCVC961205DNAA