



REPAIR PARTS

GCVC 80% Two Stage Variable Speed Downflow Gas Furnace

GCVC80603BXBC
GCVC80603BXBD
GCVC80803BXBC
GCVC80803BXBD
GCVC80805CXBC
GCVC80805CXBD
GCVC81005CXBC
GCVC81005CXBD



This manual is to be used by qualified technicians only.

This manual replaces RP-G2302.

© 2016 , 2018 Goodman Manufacturing Company, L.P. ♦ 5151 San Felipe St, Suite 500 ♦ Houston, TX 77056

Important Information

Index

Functional Parts List	3
Illustration and Parts	4 - 9

Views shown are for parts illustrations only, not servicing procedures.

Text Codes:

AR - As Required

NA - Not Available

NS - Not Shown

00000000 - See Note

QTY - Quantity Example (QTY 3) (If Quantity not shown, Quantity = 1)

M - Model Example (M1) (If M Code not shown, then part is used on all Models)

Expanded Model Nomenclature:

Example M1 - Model#1 M2 - Model#2 M3 - Model#3

Goodman Manufacturing Company, L.P. is not responsible for personal injury or property damage resulting from improper service. Review all service information before beginning repairs.

Warranty service must be performed by an authorized technician, using authorized factory parts. If service is required after the warranty expires, Goodman Manufacturing Company, L.P. also recommends contacting an authorized technician and using authorized factory parts.

Goodman Manufacturing Company, L.P. reserves the right to discontinue, or change at any time, specifications or designs without notice or without incurring obligations.

For assistance within the U.S.A. contact:

Homeowner Support

Goodman Manufacturing Company, L.P.

19001 Kermier Road

Waller, Texas 77484

877-254-4729-Telephone

713-863-2382-Facsimile

For assistance outside the U.S.A. contact:

International Division

Goodman Manufacturing Company, L.P.

19001 Kermier Road

Waller, Texas 77484

713-861-2500-Telephone

713-863-2382-Facsimile

Functional Parts

Part

No: Description:

0130F00049	AIR PRESSURE SWITCH (M5, M6, M7, M8)
0130F00541	DATA, FURNACE PCB (M1, M2)
0130F00544	DATA, FURNACE PCB (M7, M8)
0130F00543	DATA, FURNACE PCB (M5, M6)
0130F00542	DATA, FURNACE PCB (M3, M4)
0130F00571	DUAL STAGE PRESSURE SWITCH (M3, M4)
0130F00010	FLAME SENSOR
0151M00027	GAS VALVE
0130M00141	INDUCTOR, 5.9 AMPS (GMPE100-4) (M5, M6, M7, M8)
10690402	INTERLOCK SWITCH
0130F00038	LIMIT, PRIMARY 120 LT BLUE
0130F00067	LIMIT-RED (M5, M6, M7, M8)
10123529	MANUAL RESET R.O.S. LIMIT (QTY 2)
0131M00270	MOTOR, 1/2 HP, SERIAL ECM (M1, M2, M3, M4)
0131M00271	MOTOR, 3/4 HP, SERIAL ECM (M5, M6, M7, M8)
0131M00781P	MOTOR, VENT 2-STAGE
PCBKF105	PCB CONTROL BOARD
0130F00071	PRESSURE LIMIT SWITCH (M1, M2)
0130F00036	PRIMARY LIMIT - PINK 180° (M3, M4)
0130F00008	SINI IGNITOR
B1370210	SW, AIR PRESSURE 2 STAGE, PINK (M1, M2)
0130M00140	TRANSFORMER 120V TO 24V, 40VA

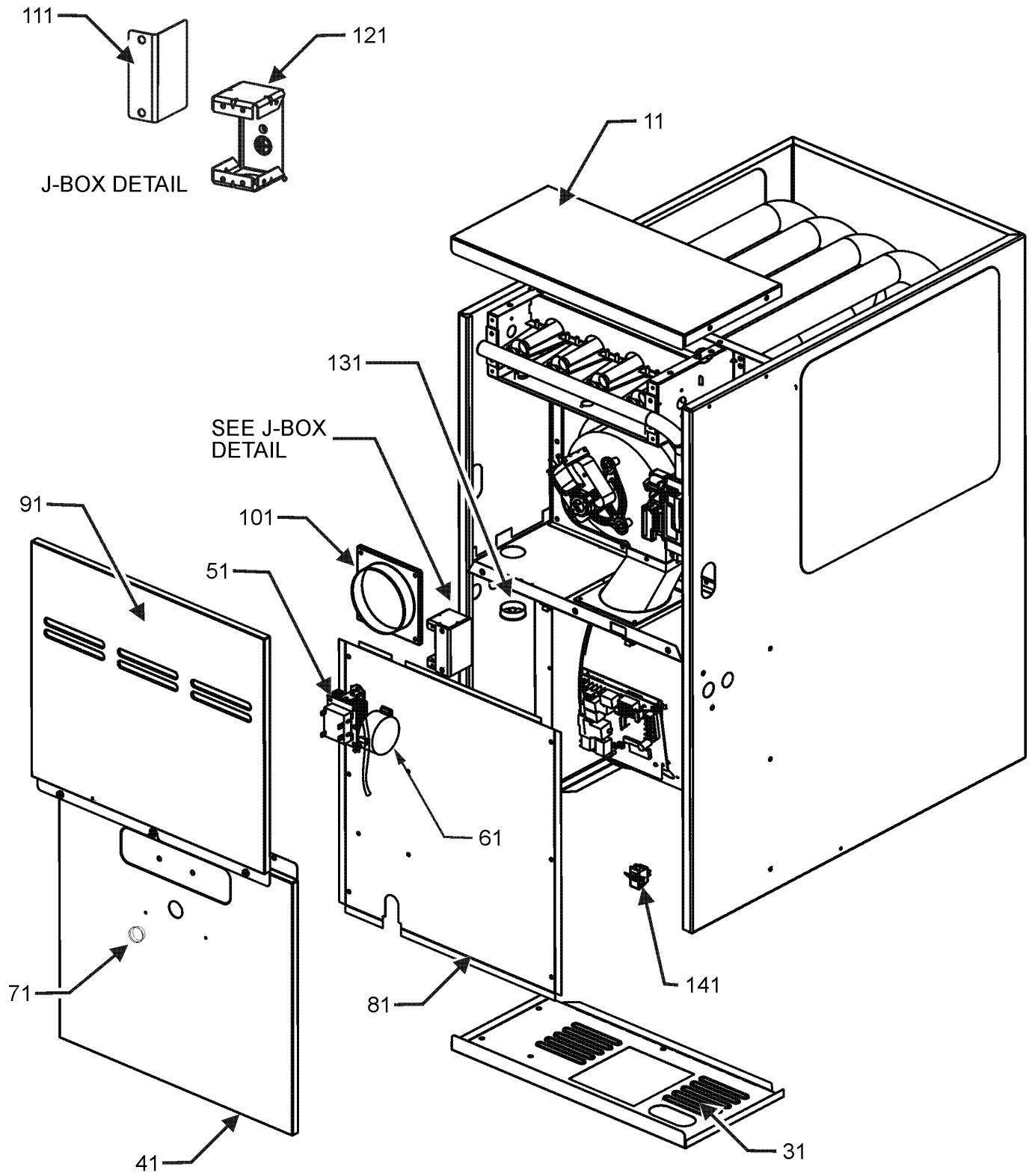
SPECIAL PARTS

0161F00007 GOODMAN NAMEPLATE

Expanded Model Nomenclature

M1 - GCVC80603BXBC
M2 - GCVC80603BXBD
M3 - GCVC80803BXBC
M4 - GCVC80803BXBD
M5 - GCVC80805CXBC
M6 - GCVC80805CXBD
M7 - GCVC81005CXBC
M8 - GCVC81005CXBD

CABINET ASSEMBLY



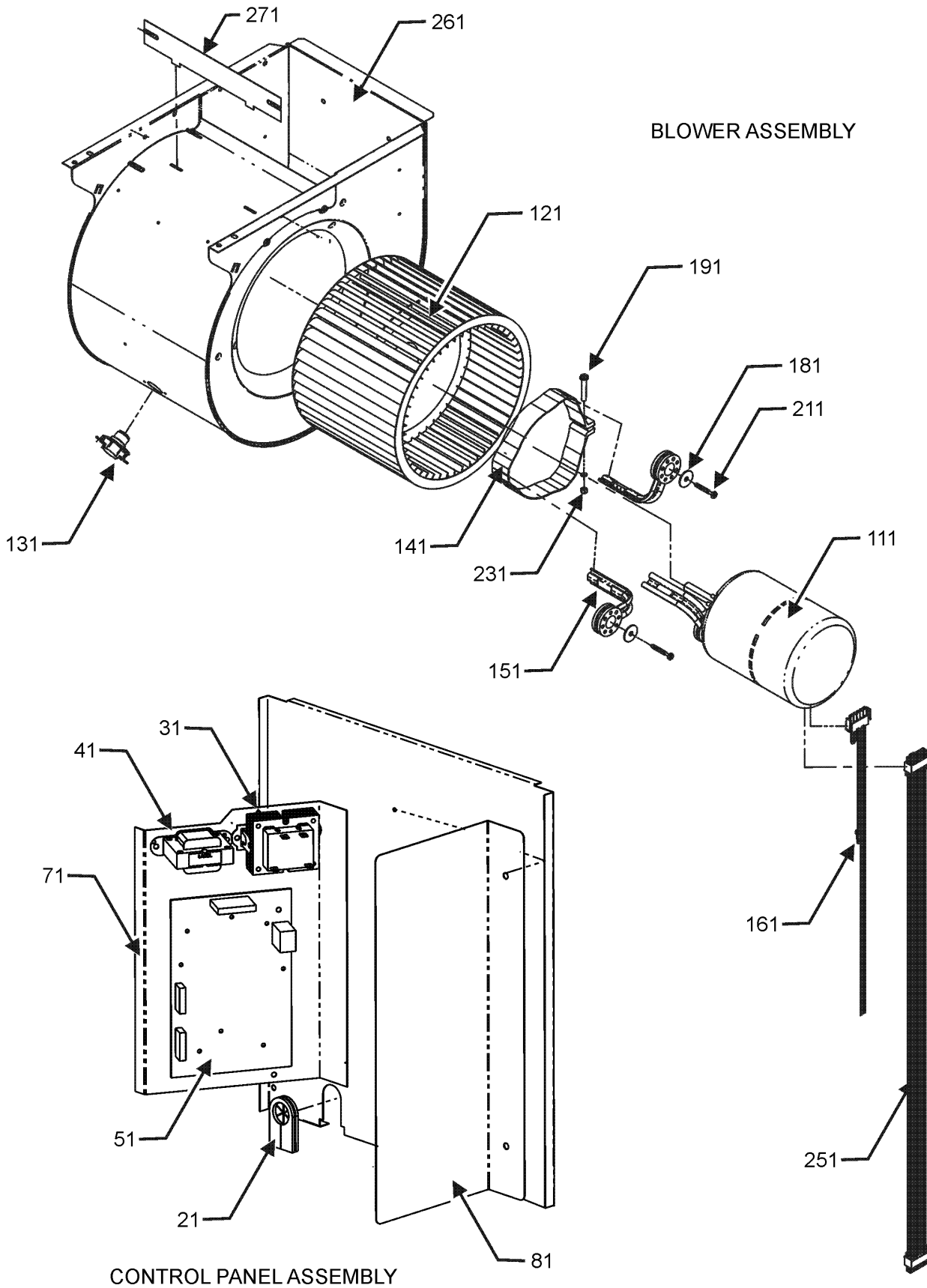
CABINET ASSEMBLY

Ref. Part No:	Part No:	Description:	Ref. Part No:	Part No:	Description:
Image 1:					
11	0121F00190DG	PAINTED 17.5" FURNACE BOTTOM (M1, M2, M3, M4)			
11	0121F00191DG	PAINTED 21" FURNACE BOTTOM (M5, M6, M7, M8)			
31	0121F00142DG	TOP, FURNACE 17.5"-PAINTED (M1, M2, M3, M4)			
31	0121F00143DG	TOP, FURNACE 21"-PAINTED (M5, M6, M7, M8)			
41	0121F00123DG	DOOR, BLOWER, 17.5"-PAINTED (M1, M2, M3, M4)			
41	0121F00124DG	DOOR, BLOWER, 21"-PAINTED (M5, M6, M7, M8)			
51	0130M00140	TRANSFORMER 120V TO 24V, 40VA			
61	0130F00049	AIR PRESSURE SWITCH (M5, M6, M7, M8)			
61	0130F00571	DUAL STAGE PRESSURE SWITCH (M3, M4)			
61	B1370210	SW, AIR PRESSURE 2 STAGE, PINK (M1, M2)			
71	B1392139	VIEW PORT BUSHING-BLOWER DOOR			
81	0121F00227	DOOR, INNER 17.5" (M1, M2, M3, M4)			
81	0121F00228	DOOR, INNER 21" (M5, M6, M7, M8)			
91	0121F00120DG	DOOR CTRL ACCESS, 21"-PAINTED (M5, M6, M7, M8)			
91	0121F00119DG	DOOR CTRL ACCESS, 17.5"-PAINTED (M1, M2, M3, M4)			
101	4023500	CHIMNEY TRANSITION TOP			
111	4015502	J-BOX COVER			
121	4014502	J-BOX			
131	B1392147	UNIVERSAL BUSHING WITH SLICE			
141	10690402	INTERLOCK SWITCH			
NS	0161F00007	GOODMAN NAMEPLATE			

Expanded Model Nomenclature

- | |
|--------------------|
| M1 - GCVC80603BXBC |
| M2 - GCVC80603BXBD |
| M3 - GCVC80803BXBC |
| M4 - GCVC80803BXBD |
| M5 - GCVC80805CXBC |
| M6 - GCVC80805CXBD |
| M7 - GCVC81005CXBC |
| M8 - GCVC81005CXBD |

BLOWER & CONTROL PANEL ASSEMBLY



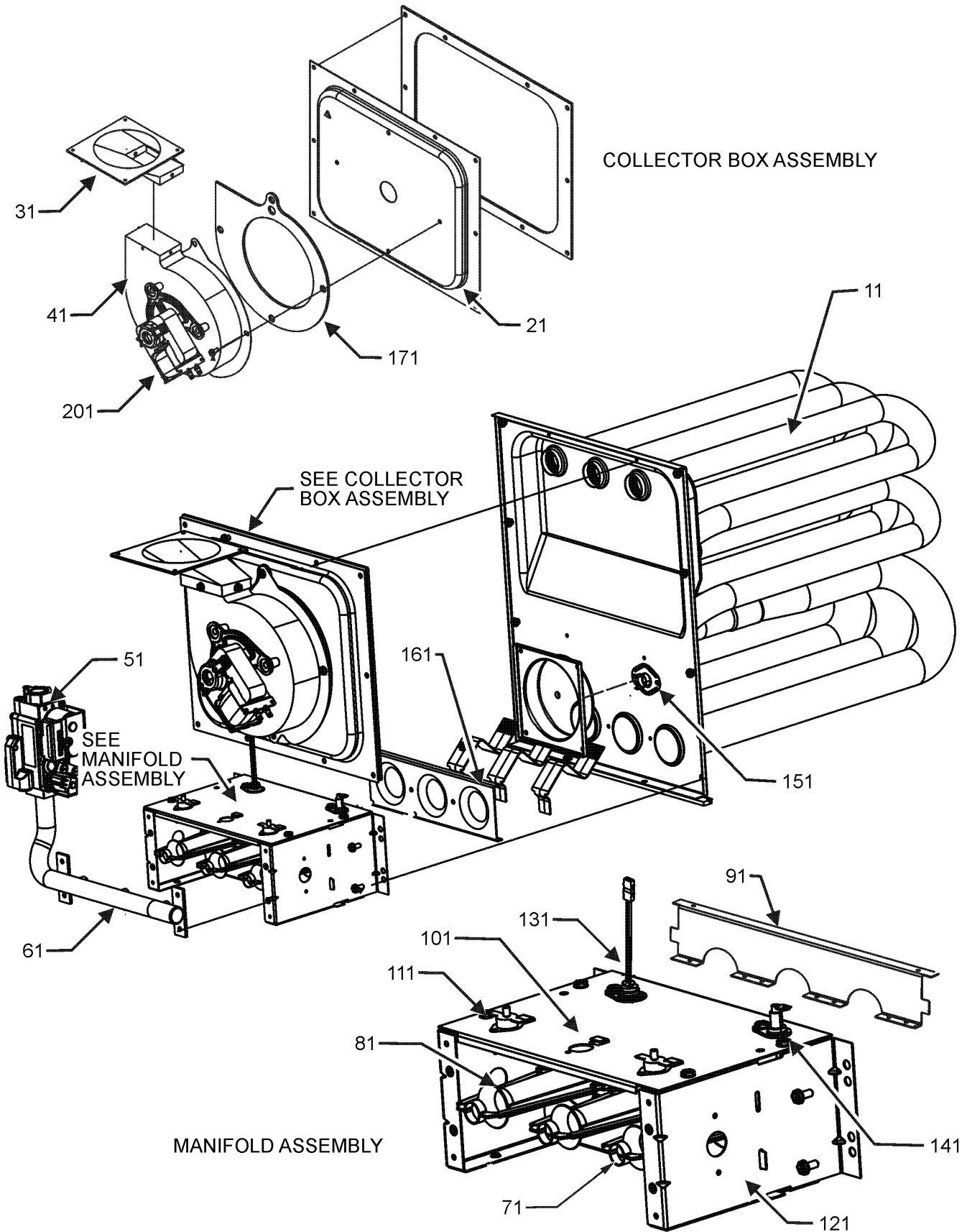
BLOWER & CONTROL PANEL ASSEMBLY

Ref. Part No: No:	Description:	Ref. Part No: No:	Description:
Image 1:			
21	20477501		GROMMET-HORSESHOE
31	0130M00140		TRANSFORMER,(120V TO 24V,40VA,
41	0130M00141		INDUCTOR, 5.9 AMPS (GMPE100-4) (M5, M6, M7, M8)
51	PCBKF105		PCB CONTROL BOARD
71	0121F00186		BRACKET, CONTROL
81	0121F00229		HEAT SHIELD
111	0131M00270		MOTOR, 1/2 HP, SERIAL ECM (M1, M2, M3, M4)
111	0131M00271		MOTOR, 3/4 HP, SERIAL ECM (M5, M6, M7, M8)
121	0150M00042		WHEEL, BLOWER (10 X 10) (M5, M6, M7, M8)
121	0150M00043		WHEEL, BLOWER (10 X 8) (M1, M2, M3, M4)
131	0130F00038		LIMIT, PRIMARY 120 LT BLUE
141	0121M00038		MOTOR MOUNT BAND (M1, M2, M3, M4)
141	0121M00039		MOTOR MOUNT BAND (HEAVY DUTY) (M5, M6, M7, M8)
151	B1376853		MOTOR MOUNT ARM (M1, M2, M3, M4)
151	B1376863		MOTOR MOUNT ARM (HEAVY DUTY) (M5, M6, M7, M8)
161	0259F00068		POWER HARNESS
181	B1392918		WASHER, FLAT 1/4 ID X 1 OD (QTY 3)
191	0163M00320		HEX HEAD ALL THREAD TAP BOLT
211	M0250565		SCREW-TC 1.25" (QTY 3)
211	M0250565		SCREW-TC 1.25" (QTY 3)
231	B1393800		LOCKNUT, NYLON INSERT 1/4 20
251	0259F00067		CONTROL HARNESS
261	2539307		BLWR SHL ASM 10X10 10X10 (M5, M6, M7, M8)
261	2539306		BLWR SHL ASM 10X8 10X8 (M1, M2, M3, M4)
271	764741		BLWR BLK-OFF,10X10 (M5, M6, M7, M8)
271	764740		BLWR BLK-OFF,10X8 (M1, M2, M3, M4)
NS	0130F00541		DATA, FURNACE PCB (M1, M2)
NS	0130F00542		DATA, FURNACE PCB (M3, M4)
NS	0130F00543		DATA, FURNACE PCB (M5, M6)
NS	0130F00544		DATA, FURNACE PCB (M7, M8)
NS	0259F00066		INDUCER HARNESS ASSY

Expanded Model Nomenclature

M1 - GCVC80603BXBC
M2 - GCVC80603BXBD
M3 - GCVC80803BXBC
M4 - GCVC80803BXBD
M5 - GCVC80805CXBC
M6 - GCVC80805CXBD
M7 - GCVC81005CXBC
M8 - GCVC81005CXBD

HEAT EXCHANGE ASSEMBLY



HEAT EXCHANGE ASSEMBLY

Ref. Part No:	Part No:	Description:	Ref. Part No:	Part No:	Description:
<i>Image 1:</i>					
11	0270F03527	HEAT EXCHANGER ASSY (M3, M4)			
11	0270F03528	HEAT EXCHANGER ASSY (M7, M8)			
11	0270F03899	HEAT EXCHANGER ASSY (M1, M2)			
11	0270F03900	HEAT EXCHANGER ASSY (M5, M6)			
21	0121F00332	17.5" COLLECTOR BOX 1.375" DIA (M1, M2)			
21	0121F00331	17.5" COLLECTOR BOX 1.500" DIA (M3, M4)			
21	0121F00365	21" COLLECTOR BOX 1.437" DIA. (M5, M6)			
21	0121F00333	21" COLLECTOR BOX 1.75" DIA (M7, M8)			
31	0128F00006	CHIMNEY TRANSITION BOTTOM			
41	0131M00781P	MOTOR, VENT 2-STAGE			
51	0151M00027	GAS VALVE			
61	0120F00007	MANIFOLD (M1, M2)			
61	0120F00008	MANIFOLD (M3, M4, M5, M6)			
61	0120F00009	MANIFOLD (M7, M8)			
71	10716005	ORIFICE (QTY 3)			
81	B4022700	INSHOT BURNER ASSY 3" (QTY 3)			
91	0121F00168	BURNER RACK, 3 CELL (M1, M2)			
91	0121F00169	BURNER RACK, 4 CELL (M3, M4, M5, M6)			
91	0121F00170	BURNER RACK, 5 CELL (M7, M8)			
101	0121F00163	TOP, BURNER BOX 3 CELL (M1, M2)			
101	0121F00164	TOP, BURNER BOX 4 CELL (M3, M4, M5, M6)			
101	0121F00165	TOP, BURNER BOX 5 CELL (M7, M8)			
111	10123529	MANUAL RESET R.O.S. LIMIT (QTY 2)			
121	0121F00146	BURNER BOX SIDE (QTY 2)			
131	0130F00008	SINI IGNITOR			
141	0130F00010	FLAME SENSOR			
151	0130F00067	LIMIT-RED (M5, M6, M7, M8)			
151	0130F00071	PRESSURE LIMIT SWITCH (M1, M2)			
151	0130F00036	PRIMARY LIMIT - PINK 180° (M3, M4)			
161	4028001	ORIFICE PLATE, 3CELL (M1, M2)			
161	4028002	ORIFICE PLATE, 4CELL (M3, M4, M5, M6)			
161	4028003	ORIFICE PLATE, 5CELL (M7, M8)			
171	0154F00004	VENT MOTOR GASKET 17.5" (M1, M2, M3, M4)			
171	0154F00005	VENT MOTOR GASKET 21" (M5, M6, M7, M8)			
201	DY6.186.070	VENT MOTOR CAPACITOR			
NS	0259M00005	ADAPTER HARNESS			
NS	0259F00065	WIRE HARNESS ASSY			
NS	0259F00080	WIRE HARNESS ASSY (M1, M3, M5, M7)			
NS	0259F00272	WIRE HARNESS ASSY (M2, M4, M6, M8)			

Expanded Model Nomenclature

M1 - GCVC80603BXBC
M2 - GCVC80603BXBD
M3 - GCVC80803BXBC
M4 - GCVC80803BXBD
M5 - GCVC80805CXBC
M6 - GCVC80805CXBD
M7 - GCVC81005CXBC
M8 - GCVC81005CXBD