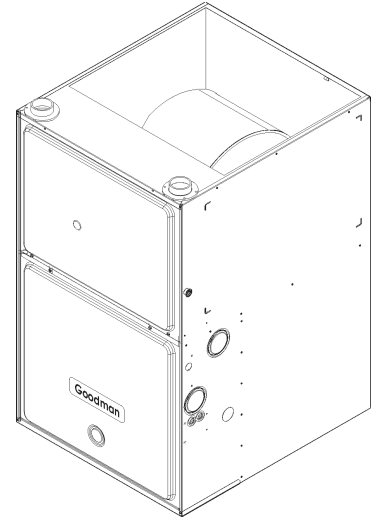




REPAIR PARTS

GCH95 95% Counterflow Hybrid Furnace

GCH950453BXAA
GCH950453BXAB
GCH950453BXAC
GCH950453BXAD
GCH950703BXAA
GCH950703BXAB
GCH950703BXAC
GCH950703BXAD
GCH950704CXAA
GCH950704CXAB
GCH950704CXAC
GCH950704CXAD
GCH950904CXAA
GCH950904CXAB
GCH950904CXAC
GCH950904CXAD
GCH950904CXAE
GCH950905DXAA
GCH950905DXAB
GCH950905DXAC
GCH950905DXAD



This manual is to be used by qualified technicians only.

This manual replaces RP-597C.

© 2009-2010, 2013-2014, 2020 Goodman Manufacturing Company, L.P. ♦ 5151 San Felipe St, Suite 500 ♦ Houston, TX 77056

Important Information

Index

Functional Parts List	3
Illustration and Parts	4 - 11

Views shown are for parts illustrations only, not servicing procedures

1-29-2014: Corrections made to the manifold part numbers.

11-2-2020: Added AC/AD models from ECN. No component changes.

Text Codes:

AR - As Required

NA - Not Available

NS - Not Shown

00000000 - See Note

QTY - Quantity Example (QTY 3) (If Quantity not shown, Quantity = 1)

M - Model Example (M1) (If M Code not shown, then part is used on all Models)

Expanded Model Nomenclature:

Example M1 - Model#1 M2 - Model#2 M3 - Model#3

Goodman Manufacturing Company, L.P. is not responsible for personal injury or property damage resulting from improper service. Review all service information before beginning repairs.

Warranty service must be performed by an authorized technician, using authorized factory parts. If service is required after the warranty expires, Goodman Manufacturing Company, L.P. also recommends contacting an authorized technician and using authorized factory parts.

Goodman Manufacturing Company, L.P. reserves the right to discontinue, or change at any time, specifications or designs without notice or without incurring obligations.

For assistance within the U.S.A. contact:

Homeowner Support

Goodman Manufacturing Company, L.P.

19001 Kermier Road

Waller, Texas 77484

877-254-4729-Telephone

713-863-2382-Facsimile

For assistance outside the U.S.A. contact:

International Division

Goodman Manufacturing Company, L.P.

19001 Kermier Road

Waller, Texas 77484

713-861-2500-Telephone

713-863-2382-Facsimile

Functional Parts

Part No: **Description:**

Part No:	Description:	Expanded Model Nomenclature
10735102S	BECKETT BURNER (QTY 2)	
0131F00022	BLOWER MOTOR 1/2 HP, 4 SP, 6 PL (M9, M10, M11, M12, M13, M14)	M1 - GCH950453BXAA M2 - GCH950453BXAB
0131F00020	BLOWER MOTOR 1/3 HP, 4 SP, 6 PL (M1, M2, M3, M4, M5, M6, M7, M8)	M3 - GCH950453BXAC M4 - GCH950453BXAD
10759415S	BLOWER MOTOR 3/4 HP, 4 SP, 8 PL (M18, M19, M20, M21)	M5 - GCH950703BXAA M6 - GCH950703BXAB
CAP125000370VAS	CAPACITOR 12.5/370V (M1, M2, M3, M4, M5, M6, M7, M8)	M7 - GCH950703BXAC M8 - GCH950703BXAD
CAP150000370VAS	CAPACITOR 15/370V (M15, M16, M17, M18, M19, M20, M21)	M9 - GCH950704CXAA M10 - GCH950704CXAB
CAP200000370VAS	CAPACITOR 20/370V (M9, M10, M11, M12, M13, M14)	M11 - GCH950704CXAC M12 - GCH950704CXAD
0130F00010	FLAME SENSOR	M13 - GCH950904CXAA M14 - GCH950904CXAB
0151F00000P	GAS VALVE - WHITE-RODGERS 2-STAGE (M1, M5, M9, M13, M18)	M15 - GCH950904CXAC M16 - GCH950904CXAD
0151M00028	GAS VALVE,(HW)VR92 (M2, M3, M4, M6, M7, M8, M10, M11, M12, M14, M15, M16, M17, M19, M20, M21)	M17 - GCH950904CXAE M18 - GCH950905DXAA
PCBBF122S	IGNITION BOARD, HSI INTEGRATED 2-STG	M19 - GCH950905DXAB M20 - GCH950905DXAC
10123517	MANUAL RESET LIMIT (M1, M2, M3, M4, M5, M6, M7, M8, M9, M10, M11, M12, M18, M19, M20, M21)	M21 - GCH950905DXAD
10123534	MANUAL RESET LIMIT 220°F (M13, M14, M15, M16, M17)	
0130F00068	PRESSURE SWITCH, GRAY (M5, M6, M7, M8, M13, M14, M15, M16, M17)	
0130F00069	PRESSURE SWITCH, OLIVE (M1, M2, M3, M4, M9, M10, M11, M12, M18, M19, M20, M21)	
20162903	PRIMARY LIMIT - BLUE (M13, M14, M15, M16, M17, M18, M19, M20, M21)	
0130F00038	PRIMARY LIMIT - LT BLUE 120° (M1, M2, M3, M4, M5, M6, M7, M8, M9, M10, M11, M12, M13, M14, M15, M16, M17)	
0130F00038	PRIMARY LIMIT - LT BLUE 120° (M18, M19, M20, M21)	
20162904	PRIMARY LIMIT-TEMPERATURE CONTROL (M1, M2, M3, M4, M5, M6, M7, M8, M9, M10, M11, M12)	
0130F00008	SINI IGNITOR	
B1141605	TRANSFORMER 120V TO 24V, 40 VA	

SPECIAL PARTS

0161F00000P GOODMAN NAMEPLATE

Cabinet

Image 1

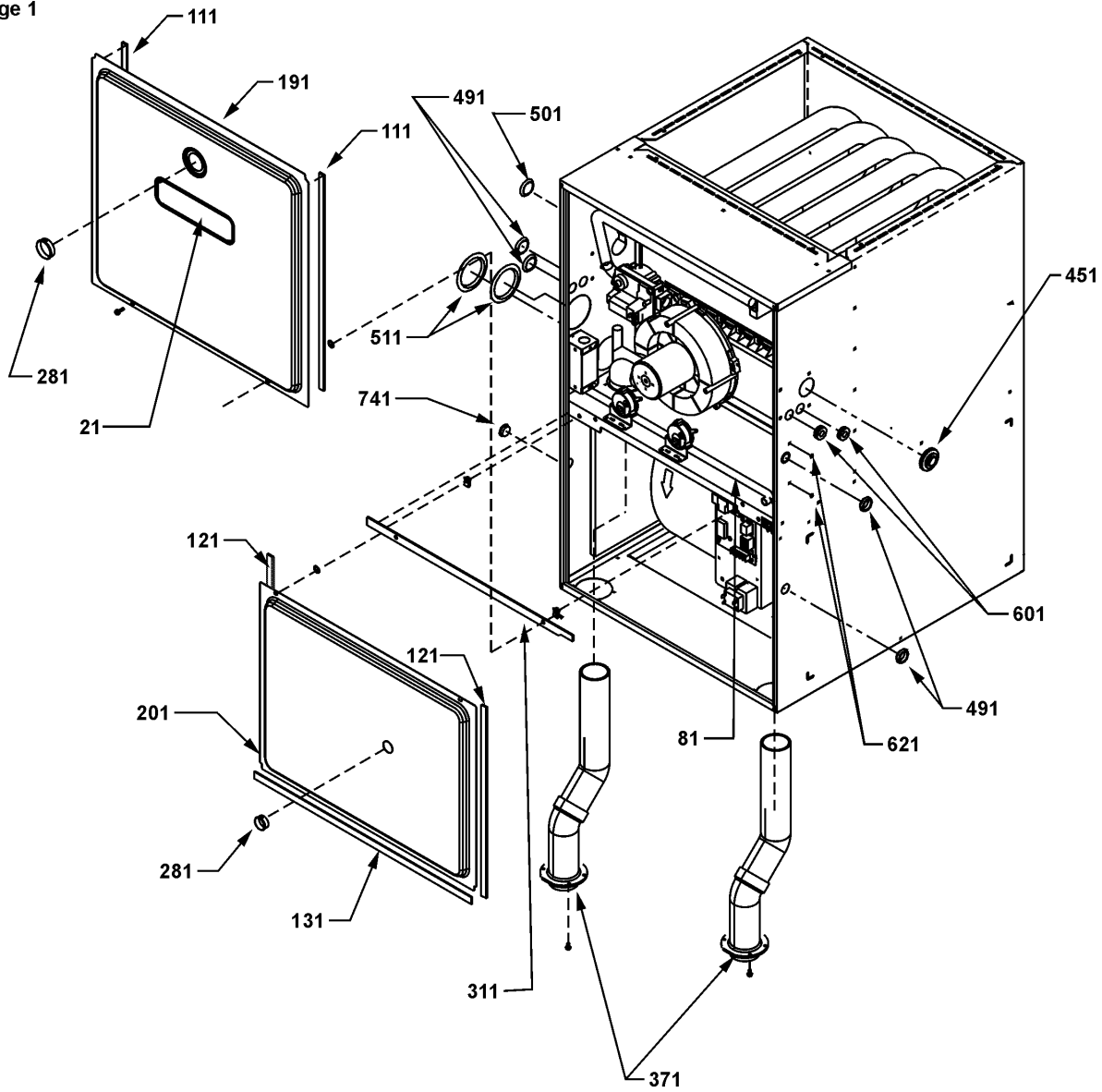
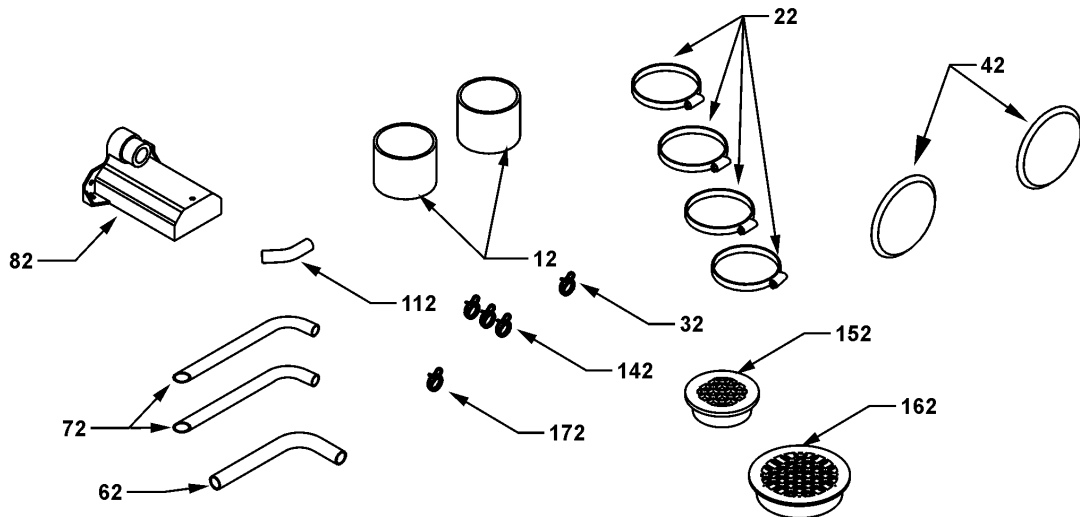


Image 2



Cabinet

Ref. Part No:	Description:	Ref. Part No:	Description:
Image 1:		Expanded Model Nomenclature	
21	0161F00000P GOODMAN NAMEPLATE	M1	GCH950453BXAA
81	20201902 DRAIN HOSE	M2	GCH950453BXAB
111	20179308 GASKET (QTY 2)	M3	GCH950453BXAC
121	20179311 GASKET (QTY 2)	M4	GCH950453BXAD
131	20179311 GASKET (M1, M2, M3, M4, M5, M6, M7, M8)	M5	GCH950703BXAA
131	20179312 GASKET (M9, M10, M11, M12, M13, M14, M15, M16, M17)	M6	GCH950703BXAB
131	20179313 GASKET (M18, M19, M20, M21)	M7	GCH950703BXAC
191	0121F00072DGS ACCESS DOOR (M1, M2, M3, M4, M5, M6, M7, M8)	M8	GCH950703BXAD
191	0121F00073DGS ACCESS DOOR (M9, M10, M11, M12, M13, M14, M15, M16, M17)	M9	GCH950704CXAA
191	0121F00074DGS ACCESS DOOR (M18, M19, M20, M21)	M10	GCH950704CXAB
201	0121F00069DGS BLOWER DOOR (M1, M2, M3, M4, M5, M6, M7, M8)	M11	GCH950704CXAC
201	0121F00070DGS BLOWER DOOR (M9, M10, M11, M12, M13, M14, M15, M16, M17)	M12	GCH950704CXAD
201	0121F00071DGS BLOWER DOOR (M18, M19, M20, M21)	M13	GCH950904CXAA
281	B1392139 VIEW PORT BUSHING-BLOWER DOOR (QTY 2)	M14	GCH950904CXAB
311	22320001 DECK GASKET (M1, M2, M3, M4, M5, M6, M7, M8)	M15	GCH950904CXAC
311	22320002 DECK GASKET (M9, M10, M11, M12, M13, M14, M15, M16, M17)	M16	GCH950904CXAD
311	22320003 DECK GASKET (M18, M19, M20, M21)	M17	GCH950904CXAE
371	22309502 FLUE PIPE (QTY 2)	M18	GCH950905DXAA
451	M0501301 PIPE GROMMET	M19	GCH950905DXAB
491	M0570808 BUTTON PLUG (QTY 4)	M20	GCH950905DXAC
501	M0570806 BUTTON PLUG	M21	GCH950905DXAD
511	M0570807 BUTTON PLUG (QTY 2)		
601	A4691701 GROMMET (QTY 2)		
621	M0310345 BUTTON PLUG (QTY 2)		
741	B1392104 UNIVERSAL BUSHING UB 875		
Image 2:			
12	10254303 RUBBER COUPLING (QTY 2)		
22	0163M00049 HOSE CLAMP (QTY 2)		
32	M0119207 HOSE CLAMP		
42	M0570807 BUTTON PLUG (QTY 2)		
62	20201901 DRAIN HOSE		
72	20201802 DRAIN TUBE (QTY 2)		
82	20171701 DRAIN-TRAP		
112	20214203 DRAIN-ANGLE		
142	M0119205 HOSE CLAMP (QTY 3)		
152	B2810816 2" MESH INSERT		
162	B2810814 3" MESH INSERT		
172	M0119206 HOSE CLAMP		
NS	10195518 STANDPIPE BAG ASSY		

Blower Assembly

Image 1

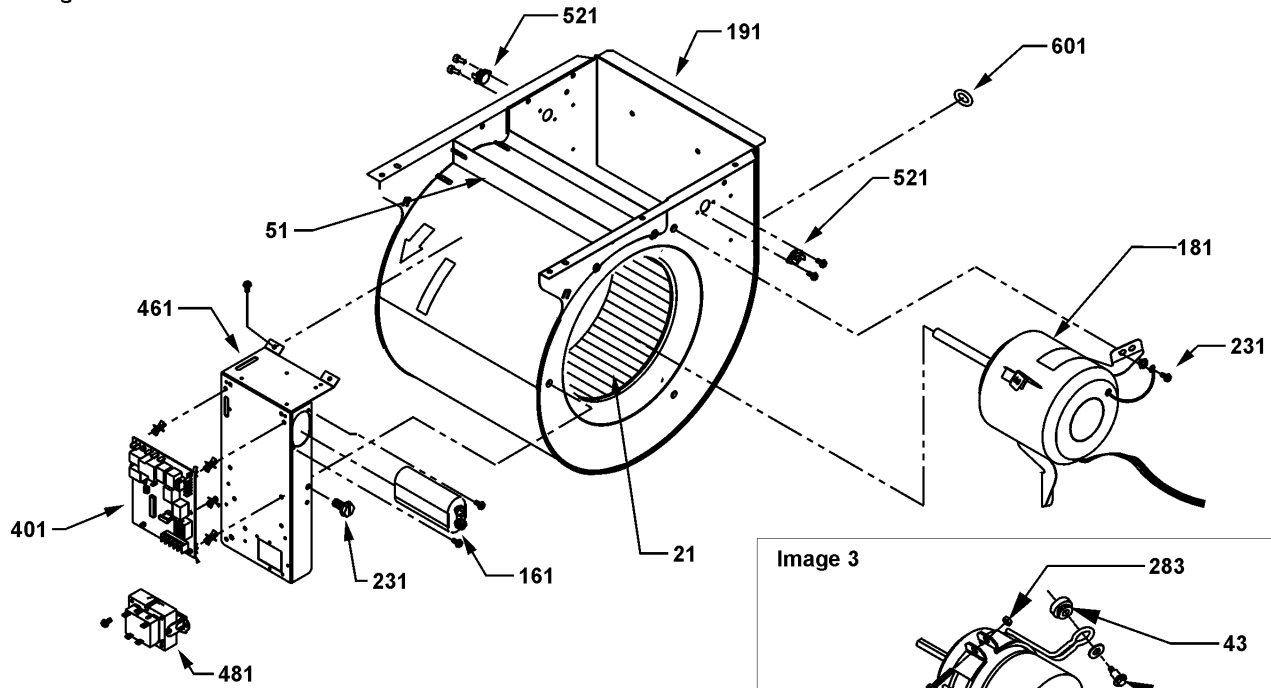


Image 3

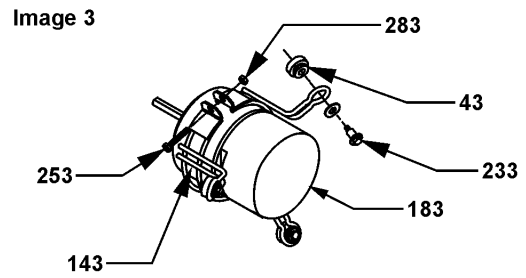
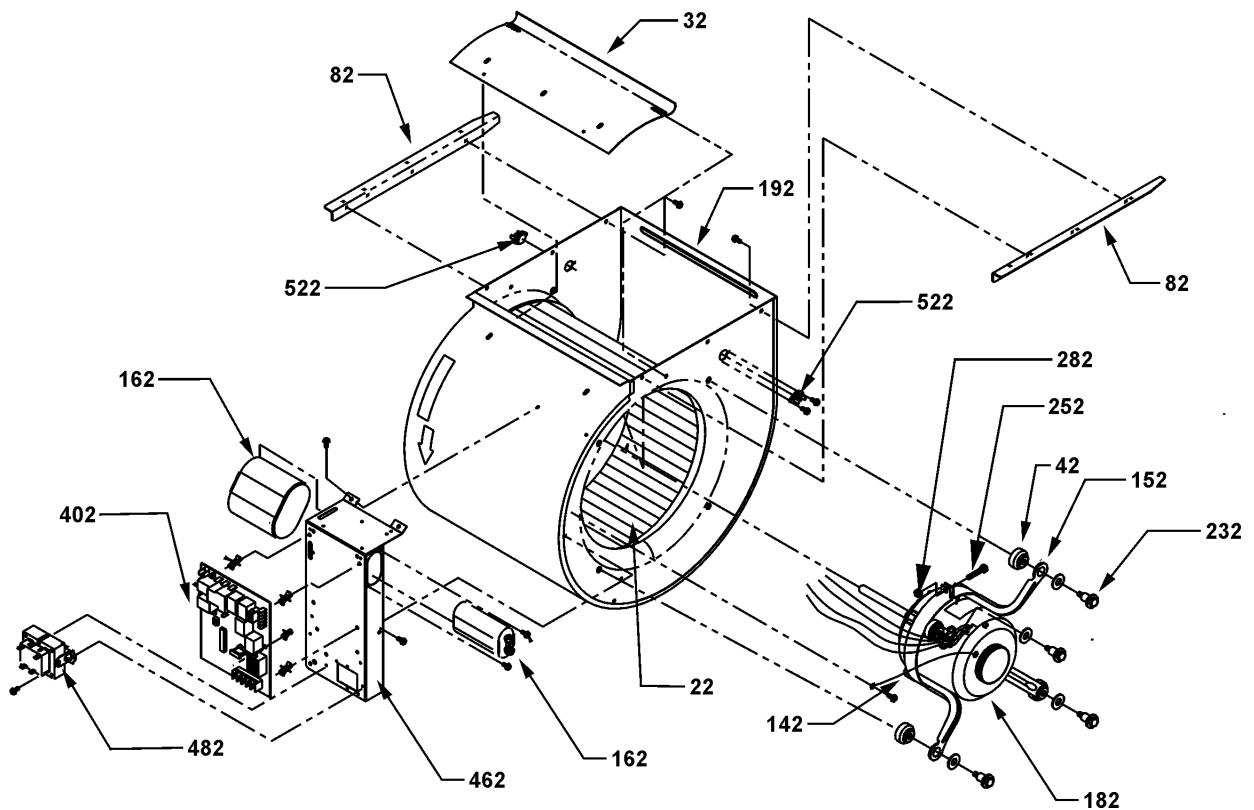


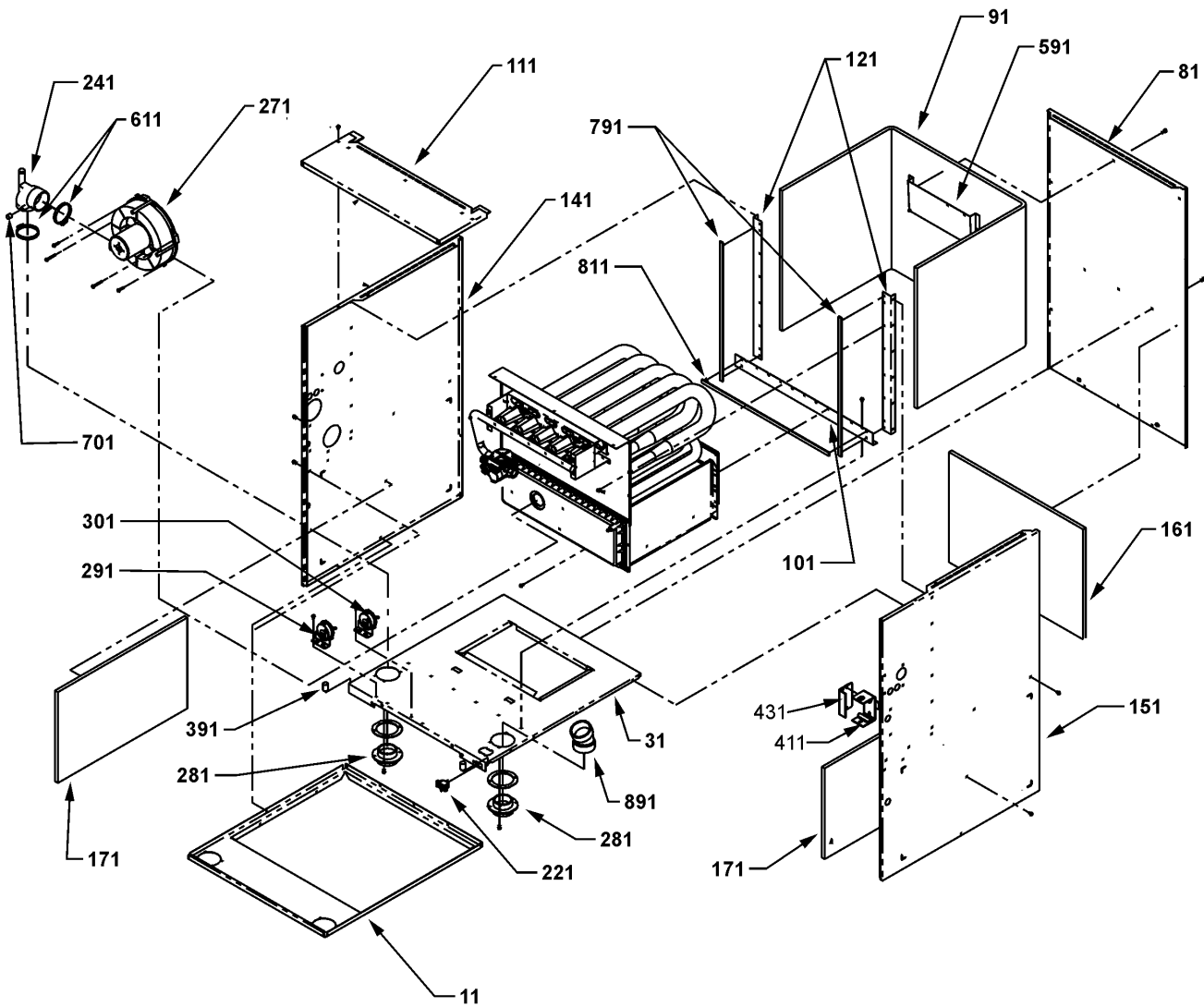
Image 2



Blower Assembly

Ref. Part No:	Ref. Part No:	Description:	Description:	
Image 1:		Image 2:		
21	B1368047A	BLOWER WHEEL 10 X 10 (M9, M10, M11, M12, M13, M14, M15, M16, M17)	232 M0221461 TC SCREW (M18, M19, M20, M21)	
21	B1368058S	BLOWER WHEEL 10 X 8 (M1, M2, M3, M4, M5, M6, M7, M8)	252 M0267144 MACHINE SCREW (M18, M19, M20, M21)	
51	764741F	BLOWER BLOCK-OFF 10 X 10 (M9, M10, M11, M12, M13, M14, M15, M16, M17)	282 M0282015 KEPS NUT (M18, M19, M20, M21)	
51	764740	BLWR BLK-OFF, 10X8 (M1, M2, M3, M4, M5, M6, M7, M8)	402 PCBBF122S IGNITION BOARD, HSI INTEGRATED 2-STG (M18, M19, M20, M21)	
161	CAP125000370VAS	CAPACITOR 12.5/370V (M1, M2, M3, M4, M5, M6, M7, M8)	462 0121F00025P CONTROL BRACKET (M18, M19, M20, M21)	
161	CAP150000370VAS	CAPACITOR 15/370V (M15, M16, M17)	482 B1141605 TRANSFORMER 120V TO 24V, 40 VA (M18, M19, M20, M21)	
161	CAP200000370VAS	CAPACITOR 20/370V (M9, M10, M11, M12, M13, M14)	522 0130F00038 PRIMARY LIMIT - LT BLUE 120° (M18, M19, M20, M21)	
181	0131F00022	BLOWER MOTOR 1/2 HP, 4 SP, 6 PL (M9, M10, M11, M12, M13, M14)	NS 0259F00024 WIRE HARNESS-BLOWER (M18, M19, M20, M21)	
181	0131F00020	BLOWER MOTOR 1/3 HP, 4 SP, 6 PL (M1, M2, M3, M4, M5, M6, M7, M8)	Image 3:	
191	0271F00004P	BLOWER HOUSING ASSY 10 X 10 (M9, M10, M11, M12, M13, M14, M15, M16, M17)	43 A4002702 BLOWER MOTOR GROMMET (M15, M16, M17)	
191	0271F00001PS	BLOWER HOUSING ASSY 10 X 8 (M1, M2, M3, M4, M5, M6, M7, M8)	143 C9443702 MOTOR MOUNT BRACKET (M15, M16, M17)	
231	M0250558	TC SCREW (M1, M2, M3, M4, M5, M6, M7, M8, M9, M10, M11, M12, M13, M14)	183 10759415S BLOWER MOTOR 3/4 HP, 4 SP, 8 PL (M15, M16, M17)	
401	PCBBF122S	IGNITION BOARD, HSI INTEGRATED 2-STG (M1, M2, M3, M4, M5, M6, M7, M8, M9, M10, M11, M12, M13, M14, M15, M16, M17)	233 M0221461 TC SCREW (M15, M16, M17)	
461	0121F00025P	CONTROL BRACKET (M1, M2, M3, M4, M5, M6, M7, M8, M9, M10, M11, M12, M13, M14, M15, M16, M17)	253 M0267144 MACHINE SCREW (M15, M16, M17)	
481	B1141605	TRANSFORMER 120V TO 24V, 40 VA (M1, M2, M3, M4, M5, M6, M7, M8, M9, M10, M11, M12, M13, M14, M15, M16, M17)	283 M0282015 KEPS NUT (M15, M16, M17)	
521	0130F00038	PRIMARY LIMIT - LT BLUE 120° (M1, M2, M3, M4, M5, M6, M7, M8, M9, M10, M11, M12, M13, M14, M15, M16, M17)	Expanded Model Nomenclature	
601	B1392021	PLASTIC PLUG, 1" (2713-BLK) (M1, M2, M3, M4, M5, M6, M7, M8, M9, M10, M11, M12, M13, M14, M15, M16, M17)	M1 - GCH950453BXAA	
NS	0259F00024	WIRE HARNESS-BLOWER (M1, M2, M3, M4, M5, M6, M7, M8, M9, M10, M11, M12, M13, M14, M15, M16, M17)	M2 - GCH950453BXAB	
Image 2:		M3 - GCH950453BXAC		
22	D6723311	BLOWER WHEEL (M18, M19, M20, M21)	M4 - GCH950453BXAD	
32	C6121807	BLOWER CUT-OFF (M18, M19, M20, M21)	M5 - GCH950703BXAA	
42	A4002702	BLOWER MOTOR GROMMET (M18, M19, M20, M21)	M6 - GCH950703BXAB	
82	20175101	BLOWER SIDE RAIL (M18, M19, M20, M21)	M7 - GCH950703BXAC	
142	10441601	MOTOR MOUNT BAND (M18, M19, M20, M21)	M8 - GCH950703BXAD	
152	10441501	MOTOR MOUNT ARM (M18, M19, M20, M21)	M9 - GCH950704CXAA	
162	CAP150000370VAS	CAPACITOR 15/370V (M18, M19, M20, M21)	M10 - GCH950704CXAB	
182	10759415S	BLOWER MOTOR 3/4 HP, 4 SP, 8 PL (M18, M19, M20, M21)	M11 - GCH950704CXAC	
192	0271F00047	BLOWER HOUSING ASSY 11 X 10 (M18, M19, M20, M21)	M12 - GCH950704CXAD	
			M13 - GCH950904CXAA	
			M14 - GCH950904CXAB	
			M15 - GCH950904CXAC	
			M16 - GCH950904CXAD	
			M17 - GCH950904CXAE	
			M18 - GCH950905DXAA	
			M19 - GCH950905DXAB	
			M20 - GCH950905DXAC	
			M21 - GCH950905DXAD	

Chassis



Chassis

Ref. Part No:	Ref. Part No:	Description:	Description:	
Image 1:		Image 1:		
11	20273508	BASE PAN (M1, M2, M3, M4, M5, M6, M7, M8)	431 0161F00005S	JUNCTION BOX COVER (M1, M2, M5, M6, M9, M10, M13, M14, M15, M18, M19)
11	20273510	BASE PAN (M9, M10, M11, M12, M13, M14, M15, M16, M17)	431 0161F00013	JUNCTION BOX COVER (M3, M4, M7, M8, M11, M12, M16, M17, M20, M21)
11	20273512	BASE PAN (M18, M19, M20, M21)	591 11165107	ID BLOWER SHIELD
31	0121F00044	BLOWER DECK (M1, M2, M3, M4, M5, M6, M7, M8)	611 0163M00049	HOSE CLAMP (QTY 2)
31	0121F00046	BLOWER DECK (M9, M10, M11, M12, M13, M14, M15, M16, M17)	701 M0326804	PLUG-TUBE
31	0121F00049	BLOWER DECK (M18, M19, M20, M21)	791 20194608	GASKET (QTY 2)
81	20273214	BACK PANEL (M1, M2, M3, M4, M5, M6, M7, M8)	811 20194605	GASKET (M1, M2, M3, M4, M5, M6, M7, M8)
81	20273216	BACK PANEL (M9, M10, M11, M12, M13, M14, M15, M16, M17)	811 20194606	GASKET (M9, M10, M11, M12, M13, M14, M15, M16, M17)
81	20273218	BACK PANEL (M18, M19, M20, M21)	811 20194607	GASKET (M18, M19, M20, M21)
91	C6415909	HEAT EXCHANGER INSULATION (M18, M19, M20, M21)	891 C6455901	ELBOW-22 1/2 ELL
91	C6415910	HEAT EXCHANGER INSULATION (M1, M2, M3, M4, M5, M6, M7, M8)	NS 0159F00010	HARNESS-WIRING
91	C6415911	HEAT EXCHANGER INSULATION (M9, M10, M11, M12, M13, M14, M15, M16, M17)	NS 0164M00008	HOSE-PRESSURE SW (M1, M2, M3, M4, M5, M6, M7, M8, M9, M10, M13, M14, M15, M18, M19)
101	0121F00018P	DECK RAIL (M1, M2, M3, M4, M5, M6, M7, M8)	NS 0164M00010	HOSE-PRESSURE SW (M1, M2, M3, M4, M5, M6, M7, M8, M11, M12, M16, M17)
101	0121F00019P	DECK RAIL (M9, M10, M11, M12, M13, M14, M15, M16, M17)	NS 0164M00011	PRESSURE SWITCH HOSE (M9, M10, M13, M14, M15)
101	20191303	DECK RAIL (M18, M19, M20, M21)	NS 0164M00013	PRESSURE SWITCH HOSE (M18, M19)
111	0270F00103P	TOP COVER ASSY (M1, M2, M3, M4, M5, M6, M7, M8)	Expanded Model Nomenclature	
111	0270F00104P	TOP COVER ASSY (M9, M10, M11, M12, M13, M14, M15, M16, M17)	M1 - GCH950453BXAA	
111	0270F00105P	TOP COVER ASSY (M18, M19, M20, M21)	M2 - GCH950453BXAB	
121	20191602	SIDE RAIL (M1, M2, M3, M4, M5, M6, M7, M8)	M3 - GCH950453BXAC	
121	20191603	SIDE RAIL (M9, M10, M11, M12, M13, M14, M15, M16, M17)	M4 - GCH950453BXAD	
121	20191604	SIDE RAIL (M18, M19, M20, M21)	M5 - GCH950703BXAA	
141	0121F00093DG	PANEL-SIDE LH CF PNT	M6 - GCH950703BXAB	
151	0121F00091DG	PANEL-SIDE RH CF PNT	M7 - GCH950703BXAC	
161	20006601	INSULATION (M1, M2, M3, M4, M5, M6, M7, M8)	M8 - GCH950703BXAD	
161	20006602	INSULATION (M9, M10, M11, M12, M13, M14, M15, M16, M17)	M9 - GCH950704CXAA	
161	20006603	INSULATION (M18, M19, M20, M21)	M10 - GCH950704CXAB	
171	20006604	SIDE INSULATION (QTY 2)	M11 - GCH950704CXAC	
221	B1370818	INTERLOCK SWITCH	M12 - GCH950704CXAD	
241	20171802S	ELBOW	M13 - GCH950904CXAA	
271	0171M00000	BLOWER-ID	M14 - GCH950904CXAB	
281	20049701	FA COUPLING (QTY 2)	M15 - GCH950904CXAC	
291	0130F00070	PRESSURE SWITCH	M16 - GCH950904CXAD	
301	0130F00068	PRESSURE SWITCH, GRAY (M5, M6, M7, M8, M13, M14, M15, M16, M17)	M17 - GCH950904CXAE	
301	0130F00069	PRESSURE SWITCH, OLIVE (M1, M2, M3, M4, M9, M10, M11, M12, M18, M19, M20, M21)	M18 - GCH950905DXAA	
391	M0275521	PLASTIC SEALER (QTY 0)	M19 - GCH950905DXAB	
411	0161F00004S	JUNCTION BOX (M1, M2, M5, M6, M9, M10, M13, M14, M15, M18, M19)	M20 - GCH950905DXAC	
411	0161F00012	JUNCTION BOX (M3, M4, M7, M8, M11, M12, M16, M17, M20, M21)	M21 - GCH950905DXAD	

Heat Exchanger / Manifold / Gas Valve

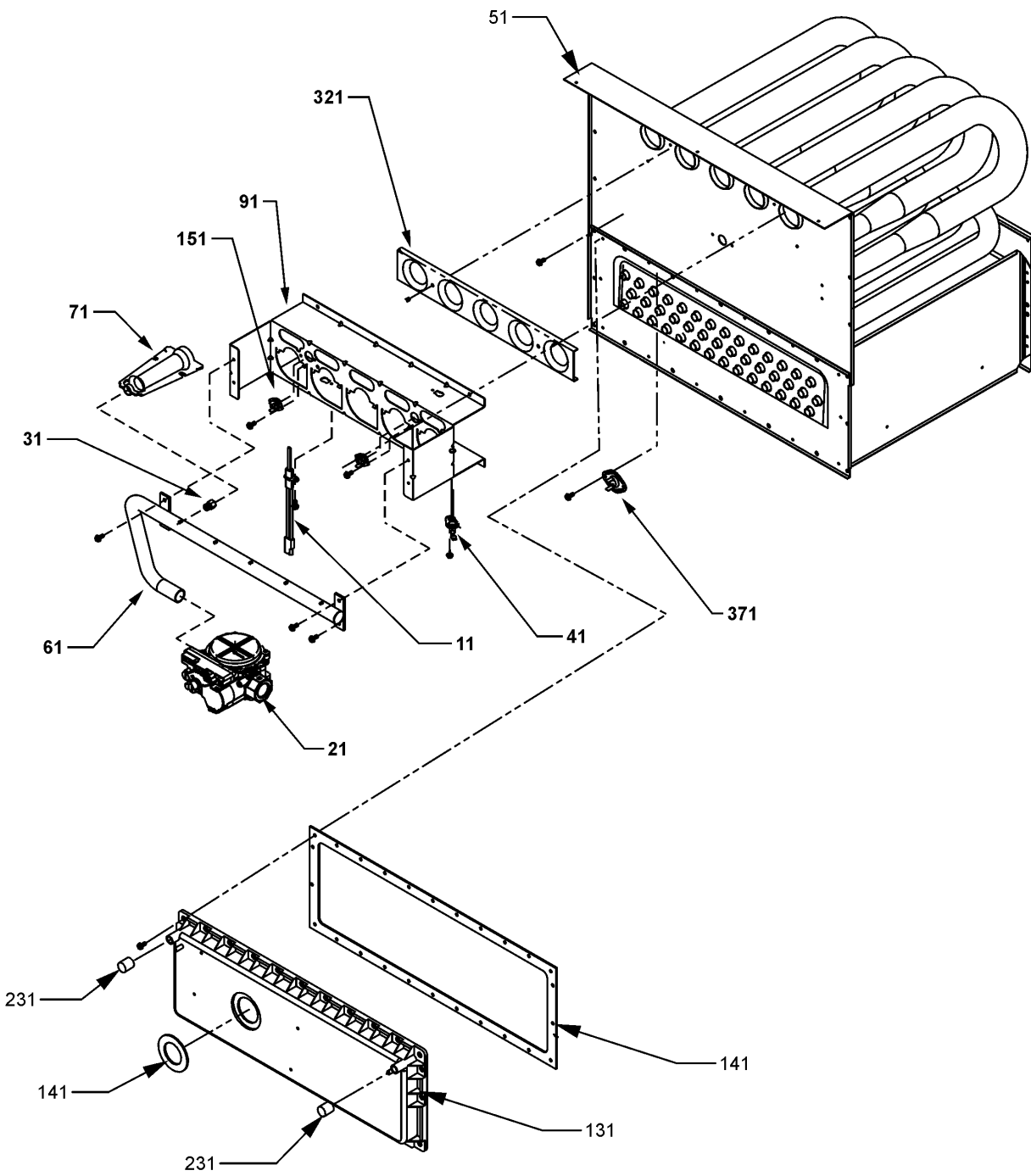
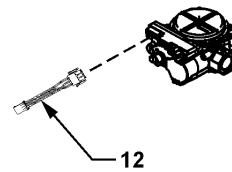


Image 2



Heat Exchanger / Manifold / Gas Valve

Ref. Part No:	No:	Description:	Ref. Part No:	No:	Description:
Image 1:			Expanded Model Nomenclature		
11	0130F00008	SINI IGNITOR	M1	-	GCH950453BXAA
21	0151F00000P	GAS VALVE - WHITE-RODGERS 2-STAGE (M1, M5, M9, M13, M18)	M2	-	GCH950453BXAB
21	0151M00028	GAS VALVE,(HW)VR92 (M2, M3, M4, M6, M7, M8, M10, M11, M12, M14, M15, M16, M17, M19, M20, M21)	M3	-	GCH950453BXAC
31	10716003	ORIFICE (QTY A/R)	M4	-	GCH950453BXAD
41	0130F00010	FLAME SENSOR	M5	-	GCH950703BXAA
51	0257F00188	HEAT EXCHANGER ASSY 2B (M1, M2, M3, M4)	M6	-	GCH950703BXAB
51	0257F00191	HEAT EXCHANGER ASSY 3B (M5, M6, M7, M8)	M7	-	GCH950703BXAC
51	0257F00194	HEAT EXCHANGER ASSY 3B (M9, M10, M11, M12)	M8	-	GCH950703BXAD
51	0257F00182	HEAT EXCHANGER ASSY 4B (M13, M14, M15, M16, M17)	M9	-	GCH950704CXAA
51	0257F00185	HEAT EXCHANGER ASSY 4B (M18, M19, M20,	M10	-	GCH950704CXAB
61	20196401	MANIFOLD (M1, M2, M3, M4)	M11	-	GCH950704CXAC
61	20196402	MANIFOLD (M5, M6, M7, M8, M9, M10, M11, M12)	M12	-	GCH950704CXAD
61	20196403	MANIFOLD (M13, M14, M15, M16, M17, M18, M19, M20, M21)	M13	-	GCH950904CXAA
71	10735102S	BECKETT BURNER (QTY 2)	M14	-	GCH950904CXAB
91	20190410	BURNER BRACKET 2B (M1, M2, M3, M4)	M15	-	GCH950904CXAC
91	20190411	BURNER BRACKET 3B (M5, M6, M7, M8, M9, M10, M11, M12)	M16	-	GCH950904CXAD
91	20190412	BURNER BRACKET 4B (M13, M14, M15, M16, M17, M18, M19, M20, M21)	M17	-	GCH950904CXAE
131	20170804A	FRONT COVER (M1, M2, M3, M4)	M18	-	GCH950905DXAA
131	20170806A	FRONT COVER (M5, M6, M7, M8)	M19	-	GCH950905DXAB
131	20170905A	FRONT COVER (M9, M10, M11, M12)	M20	-	GCH950905DXAC
131	20170906A	FRONT COVER (M13, M14, M15, M16, M17)	M21	-	GCH950905DXAD
131	20171005A	FRONT COVER (M18, M19, M20, M21)			
141	0154F00000P	COIL GASKET (M1, M2, M3, M4, M5, M6, M7, M8)			
141	0154F00001P	COIL GASKET (M9, M10, M11, M12, M13, M14, M15, M16, M17)			
141	0154F00002P	COIL GASKET (M18, M19, M20, M21)			
151	10123517	MANUAL RESET LIMIT (M1, M2, M3, M4, M5, M6, M7, M8, M9, M10, M11, M12, M18, M19, M20, M21)			
151	10123534	MANUAL RESET LIMIT 220°F (M13, M14, M15, M16, M17)			
231	A1781105	CAP-VINYL .500 (QTY 2)			
321	11072201	ORIFICE SHIELD (M1, M2, M3, M4)			
321	11072202	ORIFICE SHIELD (M5, M6, M7, M8, M9, M10, M11, M12)			
321	11072203	ORIFICE SHIELD (M13, M14, M15, M16, M17, M18, M19, M20, M21)			
371	20162903	PRIMARY LIMIT - BLUE (M13, M14, M15, M16, M17, M18, M19, M20, M21)			
371	20162904	PRIMARY LIMIT-TEMPERATURE CONTROL (M1, M2, M3, M4, M5, M6, M7, M8, M9, M10, M11, M12)			
Image 2:					
12	0259M00005	WIRE HARNESS, ADAPTOR (M1, M5, M9, M13, M18)			