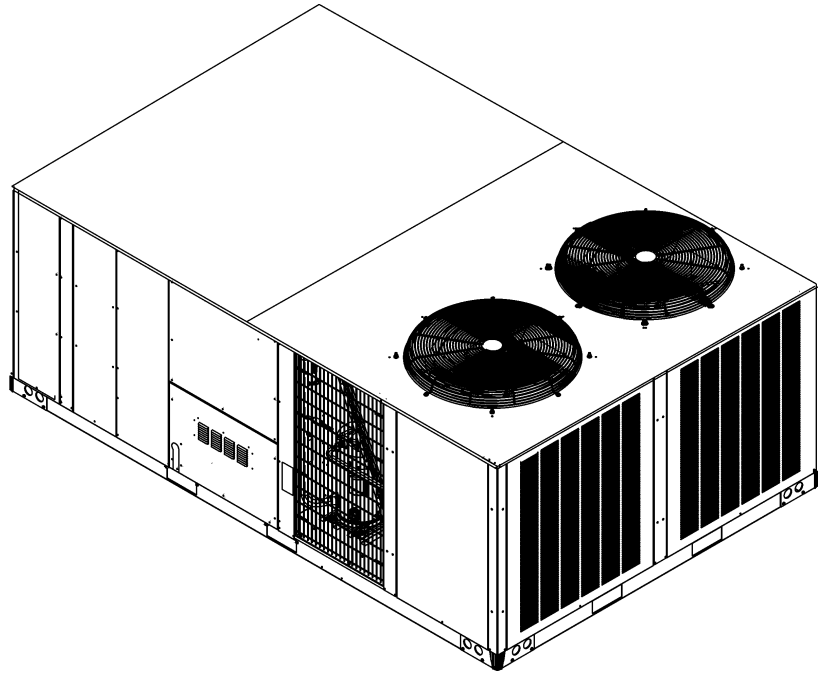


Commerical 25 Ton Package Gas Unit [EXPORT]

GCG300360EBXXXAA



This manual is to be used by qualified technicians only.

© 2016 Goodman Manufacturing Company, L.P. ♦ 5151 San Felipe St., Suite 500 ♦ Houston, TX 77056

Important Information

Index

Functional Parts List	3
Illustration and Parts	4 - 19

Views shown are for parts illustrations only, not servicing procedures

Text Codes:

AR - As Required

NA - Not Available

NS - Not Shown

00000000 - See Note

QTY - Quantity Example (QTY 3) (If Quantity not shown, Quantity = 1)

M - Model Example (M1) (If M Code not shown, then part is used on all Models)

Expanded Model Nomenclature:

Example M1 - Model#1 M2 - Model#2 M3 - Model#3

Goodman Manufacturing Company, L.P. is not responsible for personal injury or property damage resulting from improper service. Review all service information before beginning repairs.

Warranty service must be performed by an authorized technician, using authorized factory parts. If service is required after the warranty expires, Goodman Manufacturing Company, L.P. also recommends contacting an authorized technician and using authorized factory parts.

Goodman Manufacturing Company, L.P. reserves the right to discontinue, or change at any time, specifications or designs without notice or without incurring obligations.

For assistance within the U.S.A. contact:
Homeowner Support
Goodman Manufacturing Company, L.P.
19001 Kermier Road
Waller, Texas 77484
877-254-4729-Telephone
713-863-2382-Facsimile

For assistance outside the U.S.A. contact:
International Division
Goodman Manufacturing Company, L.P.
19001 Kermier Road
Waller, Texas 77484
713-861-2500-Telephone
713-863-2382-Facsimile

Functional Parts

Part

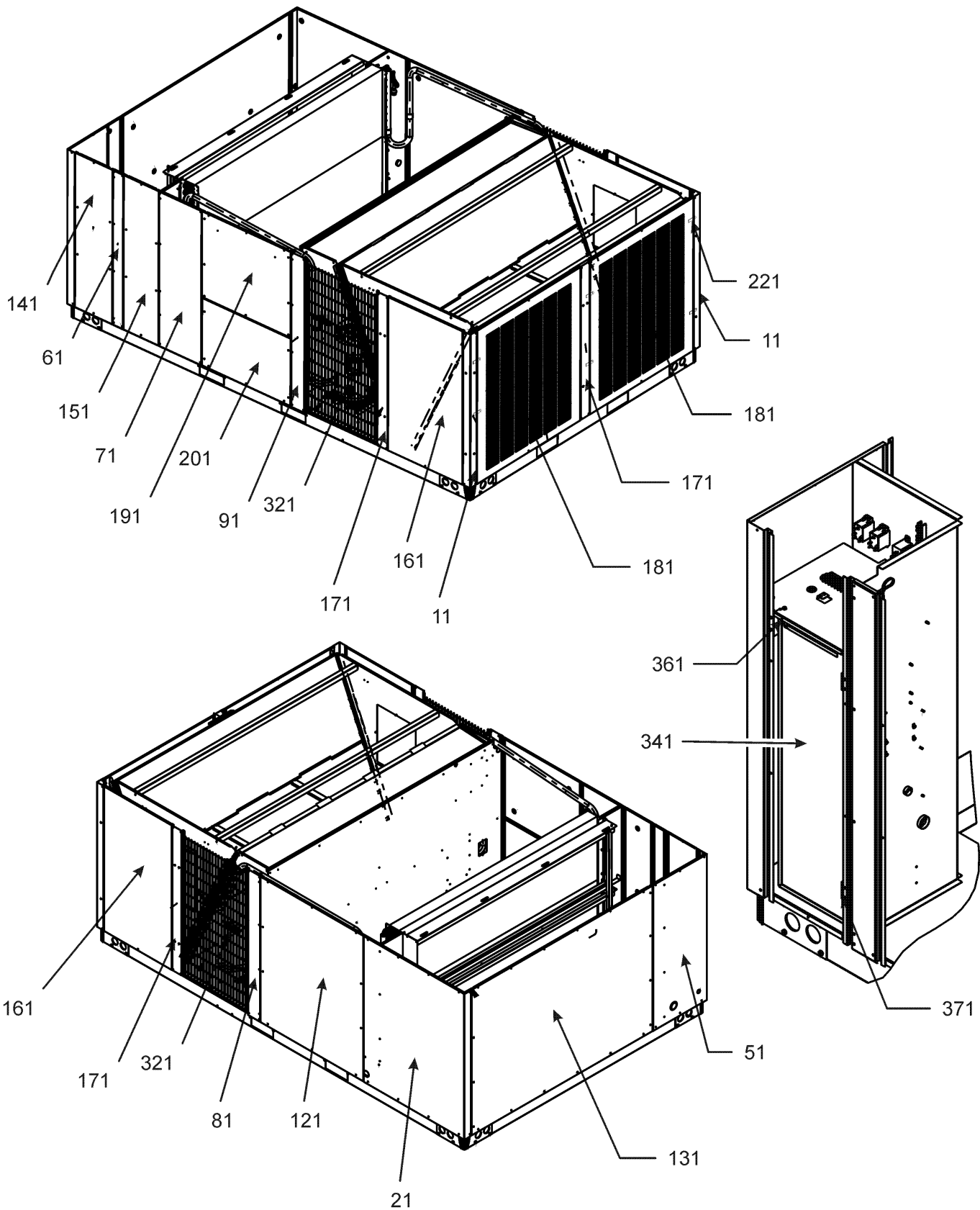
No: Description:

0130M00025	24V RELAY
0163L00000	BECKETT BURNER (QTY 8)
ZP137KCETFD155	COMPRESSOR 135,000, 460/60/3 (QTY 2)
CONT3P030024V	CONTACTOR 30 AMP, 3P, 24V (QTY 5)
0130L00021	CRANK CASE HEATER, 90W, 480V (QTY 2)
0130F00010	FLAME SENSOR
0130L00101	FUSE, J CLASS (QTY 3)
0130L00102	FUSE, J CLASS (QTY 3)
PCBAG123	IGNITION BOARD, DSI INTEGRATED
20261709	IGNITOR
0130M00064	LIMIT
10123529	MANUAL RESET LIMIT-GREEN
0131L00051	MOTOR, 7.5 HP BD 230,460V
0164L00005	NOTCHED FAN BELT BX46
0270L00186	PARTITION TUBE ASSY
11112501	PRESSURE SWITCH
20162904	PRIMARY LIMIT-TEMPERATURE CONTROL
10135604	RELAY
0130M00242	RELAY, 24V (QTY 2)
0130M00264	RELAY, THERMISTOR
0130M00081	TRANSFORMER, 380/415V-24V,75VA
0130M00080	TRANSFORMER, 380/420V-230V,150VA
0131L00014	VENT MOTOR

Expanded Model Nomenclature

M1 - GCG300360EBXXXAA

Cabinet Assembly



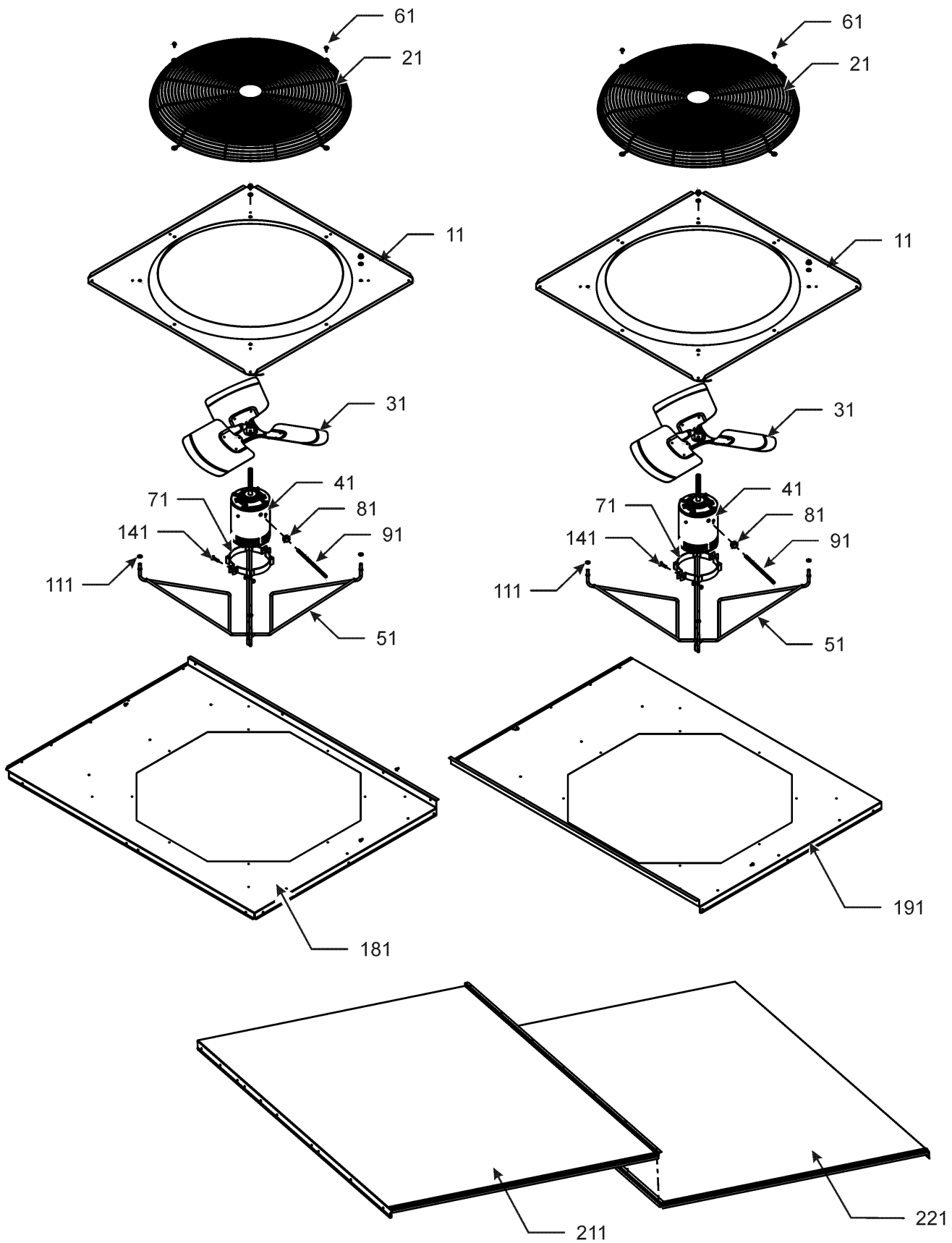
Cabinet Assembly

Ref. Part No:	No:	Description:	Ref. Part No:	No:	Description:
<i>Image 1:</i>					
11	0121L01143NG	POST, CORNER (QTY 2)			
21	0121L00681NG	EVAPORATOR PANEL			
51	0121L00679NG	CONTROL CORNER PANEL			
61	0121L00673NG	CONTROL/FILTER POST			
71	0121L00710NG	POST/BLOWER DOOR			
81	0121L00903NG	POST PARTITION-EVAP SIDE			
91	0121L00904NG	POST PARTITION-GAS FLUE			
121	0121L00685NG	BLOWER DOOR-EVAP SIDE			
131	0121L00688NG	ACCESSORY PANEL			
141	0121L00687NG	CONTROL DOOR			
151	0121L00686NG	FILTER DOOR			
161	0121L00907NG	PANEL-COND SIDE (QTY 2)			
171	0121L01144NG	POST, COND PANEL (QTY 3)			
181	0121L01174NG	LOUVER PANEL (QTY 2)			
191	0121L00713NG	BLOWER DOOR-GAS SIDE			
201	0121L00712NG	BURNERS DOOR			
221	0121L00476NG	TURNBUCKLE DOOR (QTY 16)			
321	0152L00000	GRILLE-CONDENSER (QTY 2)			
341	0121L01283	HIGH VOLT DOOR			
361	0121L01318	HIGH VOLT DOOR LATCH			
371	0163M00306	HINGE (QTY 2)			
NS	0121L00562NG	HOOD-COMBUSTION AIR			
NS	M0204317	SCREW-MACHINE (QTY 16)			

Expanded Model Nomenclature

M1 - GCG300360EBXXXAA

Top Panel Assembly



Top Panel Assembly

Ref. Part No: No:	Description:	Ref. Part No: No:	Description:
-------------------	--------------	-------------------	--------------

Image 1:

11	0121L01151NG	FAN PANEL 30" (QTY 2)
21	0152L00003	FAN GRILLE (QTY 2)
31	0150M00044	FAN BLADE (QTY 2)
41	0131M00697	MOTOR, COND (QTY 2)
51	0163L00080	MOTOR MOUNT (QTY 2)
61	0163M00097	WASHERED SCREW (QTY 8)
71	0163L00082	MOTOR CLAMP BAND (QTY 2)
81	B1393726	ELECT. CONNECTING BUSHING (QTY 2)
91	0259L00219	POWER HARNESS, CM PIGTAIL (QTY 2)
111	B1392912	FLAT WASHER 3/8 ID X 7/8 OD (QTY 16)
141	0163M00275	CARRIAGE BOLT (QTY 4)
181	0121L01081NG	TOP, FAN C1
191	0121L01094NG	TOP, FAN C2
211	0121L00693NG	TOP-CONTROL SIDE
221	0121L00694NG	TOP PANEL ASSY

Expanded Model Nomenclature

M1 - GCG300360EBXXXAA

Partition Assembly

Ref. Part No: No:	Description:	Ref. Part No: No:	Description:
<i>Image 1:</i>			
31	0121L01163		DECK, SIDE DUCT END
41	0121L01162		DECK, SIDE HEAT END
51	0121L01160		BLOWER DECK, EVAP SIDE
61	0121L01161		BLOWER DECK, MOTOR SIDE
71	0121L00714		MOTOR MOUNT ANGLE (QTY 3)
91	0121L00478		BLOWER DECK RAIL (QTY 2)
101	0270L00612DG		WELDMENT-DRAIN PAN
111	0121L00551		HEAT EXCHANGER ANGLE, RH SIDE
121	0121L00552		HEAT EXCHANGER ANGLE, LH SIDE
131	0121L00553		LOWER HEAT EXCHANGER ANGLE (QTY 2)
141	0121L00913		BRACKET-COND/BASEPAN (QTY 2)
161	0121L00481		BLOWER RAIL (QTY 2)
311	0121L01158		BLOWOFF SHIELD
351	0121L00901		BRACE-COND COILS (QTY 2)
NS	0121L00321		SMOKE DETECTOR COVER

Expanded Model Nomenclature

M1 - GCG300360EBXXXAA

Basepan / Compressor / Tubing Assembly

Image 1

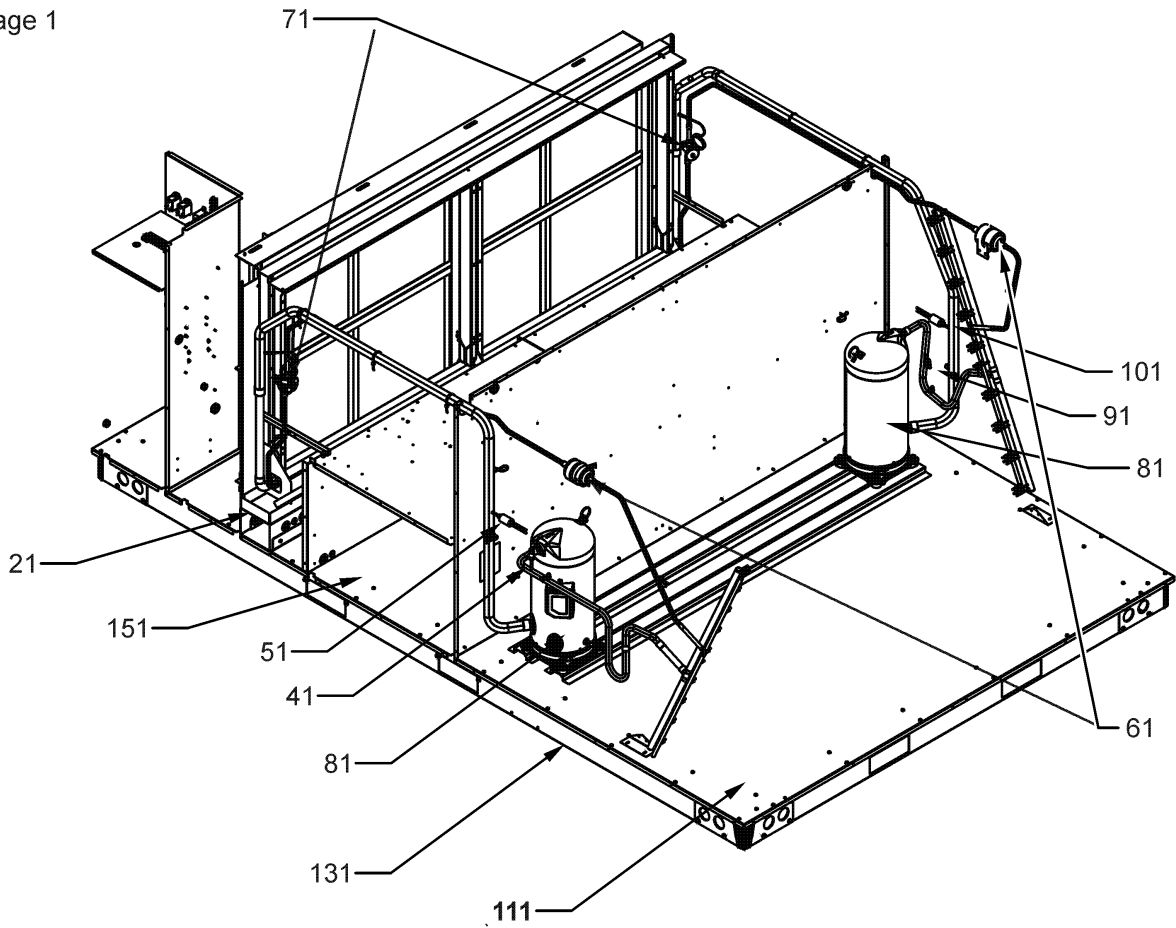


Image 2

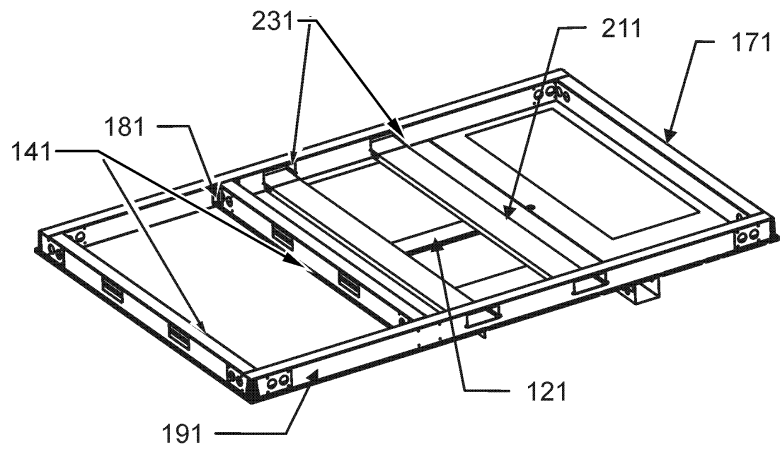
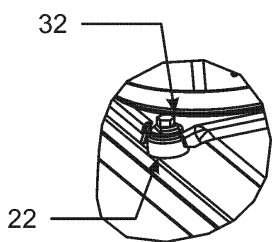
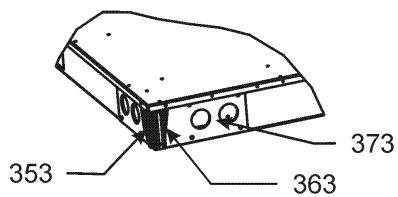


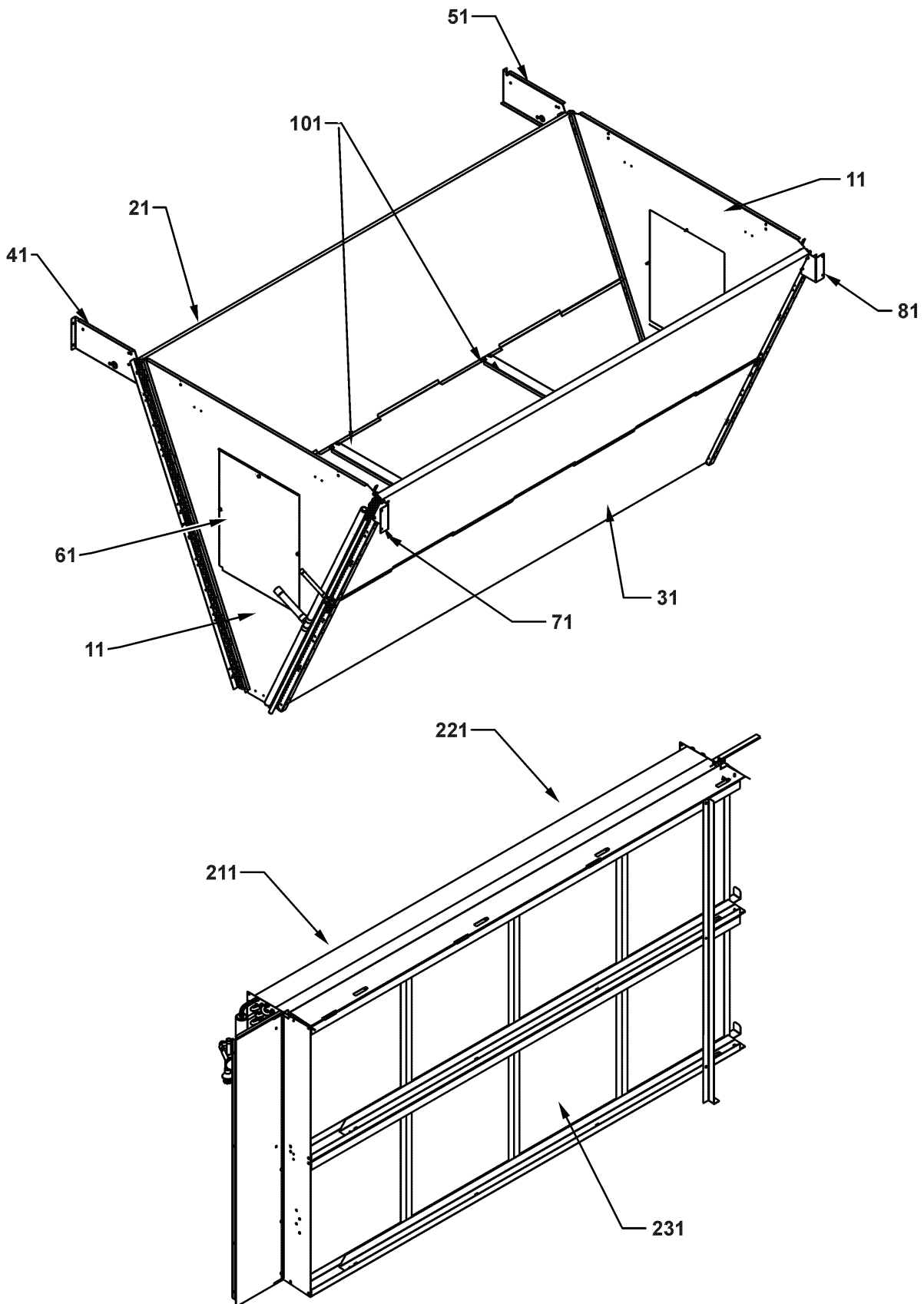
Image 3



Basepan / Compressor / Tubing Assembly

Ref. Part No: No:	Description:	Ref. Part No: No:	Description:
Image 1:			
21	0270L00189		BASEPAN WELDMENT, RETURN SIDE
41	0130M00074		CUT-OUT SWITCH, HIGH PRESSURE
51	0130M00087		CUT-OUT SWITCH, LOW PRESSURE
61	0162L00025		BI-FLOW FILTER DRIER (QTY 2)
71	0210L00470		TXV WELDMENT (QTY 2)
81	ZP137KCETFD155		COMPRESSOR 135,000, 460/60/3 (QTY 2)
91	0130M00074		CUT-OUT SWITCH, HIGH PRESSURE
101	0130M00087		LOW PRESSURE SWITCH
111	0270L00336		BASEPAN WELD, OUTDOOR
121	0121L00605		FORK BOARD PLATE
131	0121L00720		SIDE RAIL
141	0121L00721		BASE RAIL, CONDENSER END (QTY 2)
151	0121L00948		BASE PAN-SUPPLY
171	0121L00722		BASE RAIL, ACCESSORY END
181	0121L00625		COMPRESSOR RAIL BRACKET (QTY 4)
191	0121L00719		CONTROL SIDE BASE RAIL
211	0140L00029		BOARD-FORK (QTY 2)
231	0121L00724		FORK BOARD BRACKET (QTY 4)
NS	0163M00175		CAP WITH O-RING (QTY 6)
NS	0130L00021		CRANK CASE HEATER, 90W, 480V (QTY 2)
NS	0159L00063		HARNESS, COMP SCROLL
NS	0159L00064		HARNESS, COMP SCROLL
Image 2:			
22	0164M00018		COMPRESSOR GROMMET (QTY 8)
32	B1393740		COMPRESSOR BOLT & SLEEVE (QTY 8)
Image 3:			
353	0121L00616		RAIL BRACE ANGLE, RIGHT (QTY 4)
363	0121L00617		RAIL BRACE ANGLE, LEFT (QTY 4)
373	0121L00723		BASE RAIL CORNER BRACE (QTY 4)
Expanded Model Nomenclature			
M1 - GCG300360EBXXXAA			

Condenser and Evaporator Assembly



Condenser and Evaporator Assembly

Ref. Part No:	No:	Description:	Ref. Part No:	No:	Description:
<i>Image 1:</i>					
11	0121L00854	END COVER-CONDENSER (QTY 2)			
21	0201L00151	CONDENSER COIL ASSY C1			
31	0201L00152	CONDENSER COIL ASSY C2			
41	0121L01154	BRACKET, CONDENSER END C1			
51	0121L01156	BRACKET, CONDENSER END C2			
61	0121L00910	COVER-COIL CLEANING (QTY 2)			
71	0121L01153	BRACKET, COND/POST C2			
81	0121L01155	BRACKET, COND/POST C1			
101	0121L00901	BRACE-COND COILS (QTY 2)			
211	0202L00097	EVAPORATOR COIL C1			
221	0202L00098	EVAPORATOR COIL C2			
231	FRK180300	FILTER RACK ASSY			
NS	0160L00136	AIR FILTER 20X20X2 (QTY 8)			

Expanded Model Nomenclature

M1 - GCG300360EBXXXAA

Blower Assembly

IMAGE 1

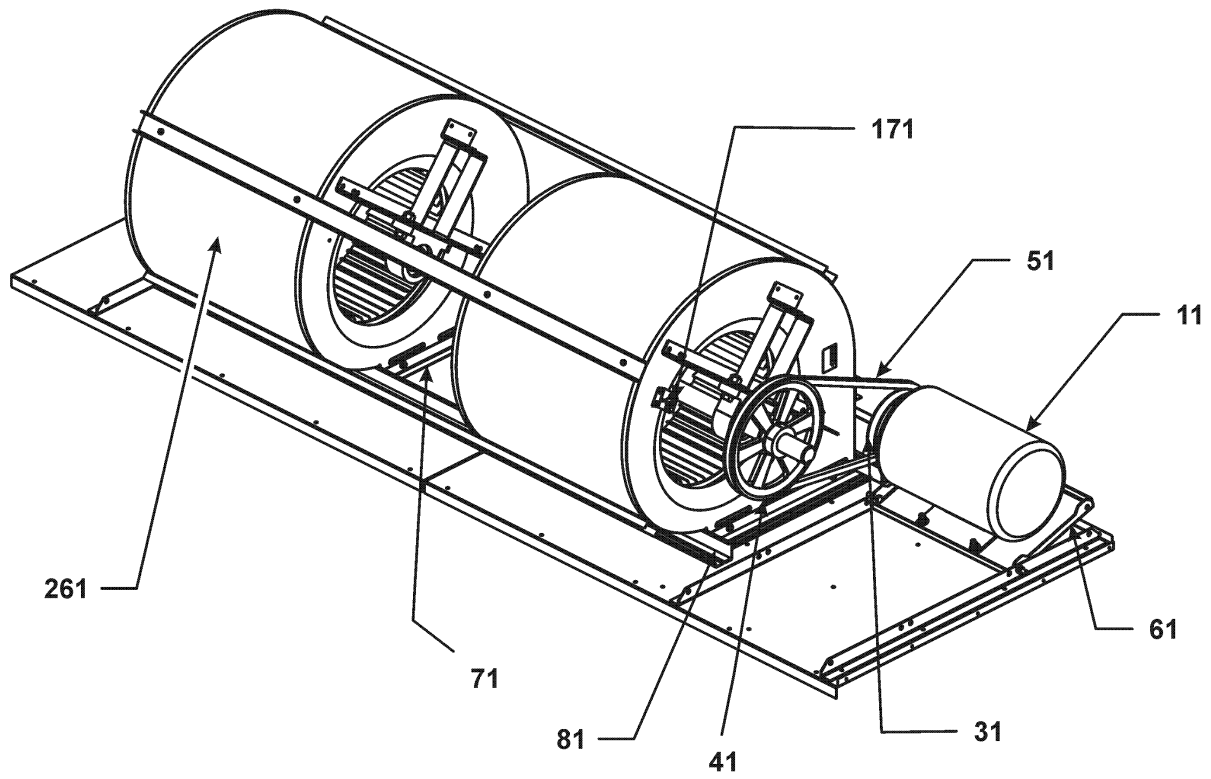
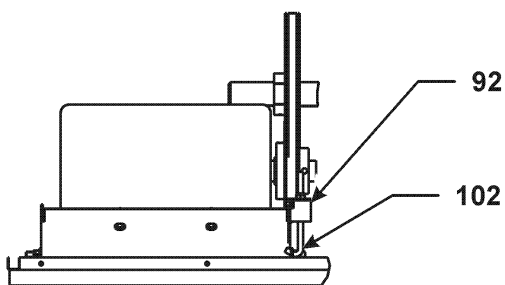


IMAGE 2



Blower Assembly

Ref. Part No:	Description:	Ref. Part No:	Description:
---------------	--------------	---------------	--------------

Image 1:

11	0131L00051	MOTOR, 7.5 HP BD 230,460V
31	0163L00068	VARIABLE PITCH SHEAVE
41	0163L00058	SHEAVE-FIXED
51	0164L00005	NOTCHED FAN BELT BX46
61	0121L01049	MOTOR BASE PLATE
71	0121L00482	BLOWER SIDE ANGLE (QTY 4)
81	0121L00479	BLOWER RAIL (QTY 2)
171	0130M00064	LIMIT
231	0121L00594	SECONDARY LIMIT BRACKET
261	0271L00027	150-15R BD 1.44 TWIN BLOWER
NS	0121L00594	SECONDARY LIMIT BRACKET

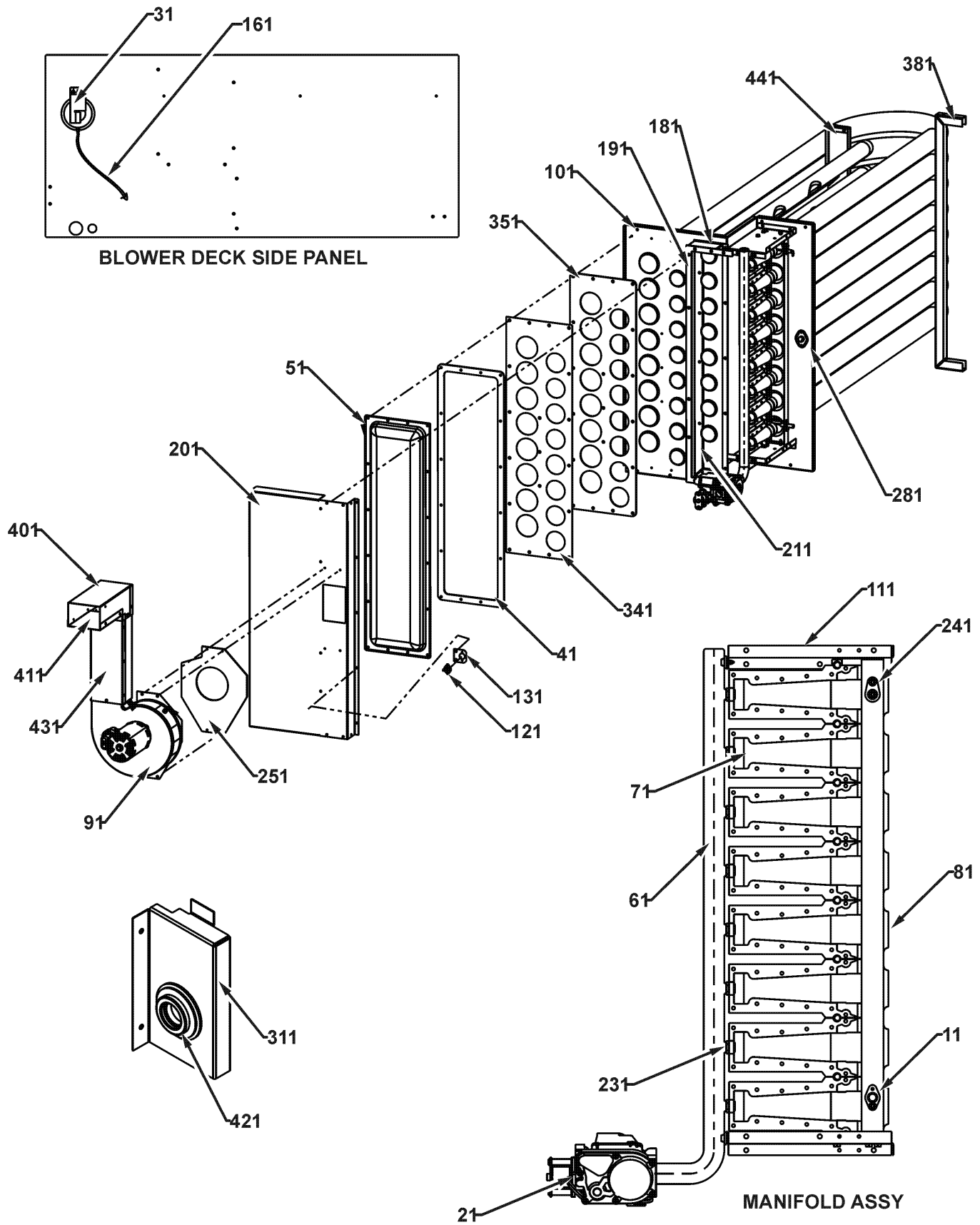
Image 2:

92	0121L00557	MOTOR ADJUST BRACKET
102	0163L00034	HOOKED BOLT

Expanded Model Nomenclature

M1 - GCG300360EBXXXAA

Heat Exchanger/Bruner Assembly



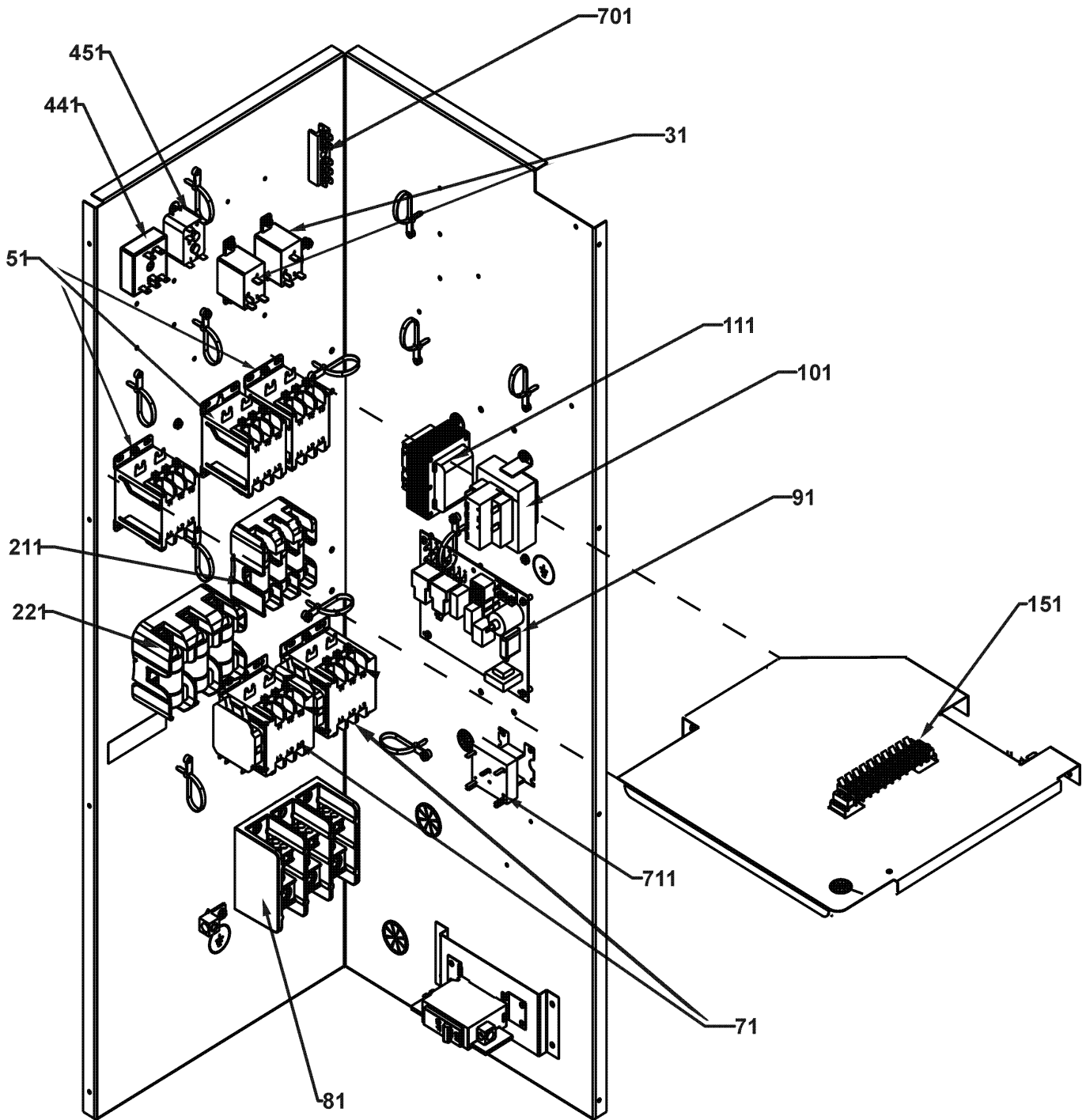
Heat Exchanger/Bruner Assembly

Ref. Part No: No:	Description:	Ref. Part No: No:	Description:
Image 1:			
11	20261709		IGNITOR
31	11112501		PRESSURE SWITCH
41	0154L00025		COVER GASKET
51	0121L00545		COVER-REAR
61	0163L00033		MANIFOLD-GAS 8 BURNER
71	0163L00000		BECKETT BURNER (QTY 8)
81	0121L00635		BRACKET-8 BURNERS
91	0131L00014		VENT MOTOR
101	0270L00186		PARTITION TUBE ASSY
111	0121G00268		BRACKET - BURNER TOP/BOTTOM (QTY 2)
121	10123529		MANUAL RESET LIMIT-GREEN
131	0121L00053		FLAME ROLLOUT BRACKET
161	A3468601		PRESSURE SWITCH HOSE
181	0154L00026		INNER COLLECTOR BOX GASKET
191	0154L00027		OUTER COLLECTOR BOX GASKET
201	0121L00550		COVER-COLLECTOR BOX
211	0121L00546		CHANNEL-COLLECTOR BOX
231	0163L00015		ORIFICE (QTY 8)
241	0130F00010		FLAME SENSOR
251	0154L00029		ID BLOWER GASKET
281	20162904		PRIMARY LIMIT-TEMPERATURE CONTROL
311	0121L00697		GAS VALVE PIPE BRACKET
341	0121L00548		PLATE-TUBE PANEL
351	0154L00028		TUBE PANEL GASKET
381	0121L00930		SUPPORT-HEAT TUBES 2.25
401	0121L00670		FLUE WRAPPER EXIT
411	0121L00671		FLUE COVER EXIT
421	B1910013		GAS LINE GROMMET
431	0121L00669		FLUE COVER, FRONT
441	0121L00808		SUPPORT-HEAT TUBES
NS	0121L00823		BRACKET-TUBE SUPPORT (QTY 2)

Expanded Model Nomenclature

M1 - GCG300360EBXXXAA

Control Box



Control Box

Ref. Part No:	No:	Description:	Ref. Part No:	No:	Description:
<i>Image 1:</i>					
31	0130M00242	RELAY, 24V (QTY 2)			
51	CONT3P030024V	CONTACTOR 30 AMP, 3P, 24V (QTY 5)			
81	0130M00042	POWER BLOCK			
91	PCBAG123	IGNITION BOARD, DSI INTEGRATED			
101	0130M00081	TRANSFORMER, 380/415V-24V,75VA			
111	0130M00080	TRANSFORMER, 380/420V-230V,150VA			
151	0130M00240	TERMINAL BOARD			
211	0130M00247	FUSE BLOCK			
221	0130M00246	FUSE BLOCK			
441	0130M00264	RELAY, THERMISTOR			
451	10135604	RELAY			
701	802007090	TERM BOARD			
711	0130M00025	24V RELAY			
NS	0130L00101	FUSE, J CLASS (QTY 3)			
NS	0130L00102	FUSE, J CLASS (QTY 3)			
NS	0259L00248	HARN, BC_CCR, 1 SPD EM			
NS	0259L00278	HARN, CH/LPS/HPS, C1			
NS	0259L00279	HARN, CH/LPS/HPS, C2			
NS	0259L00203	HARN, IGN SUB-ASSY 2, ECON PLF			
NS	0259L00204	HARN, IGN, SUB-ASSY 1, IGN PLM			
NS	0259L00235	HARN, IGN, SUB-ASSY 5			
NS	0259L00229	HARN, PWR & CNTL, GAS			
NS	0259L00219	HARN, PWR, CM PIGTAIL (QTY 4)			
NS	0259L00218	HARN, PWR, CM, C1			
NS	0259L00217	HARN, PWR, CM, C2			
NS	0259L00196	HARN, PWR, EM, 1 SPD			
NS	0259L00222	HARN, PWR, FB TO EM_CM, 1 SPD			
NS	0259L00221	HARN, PWR, PB TO CC1			
NS	0259L00220	HARN, PWR, PB TO CC2			
NS	0259L00199	HARN, PWR, PB TO FB			
NS	0259L00247	HARNESS, CC_CMC			

Expanded Model Nomenclature

M1 - GCG300360EBXXXAA