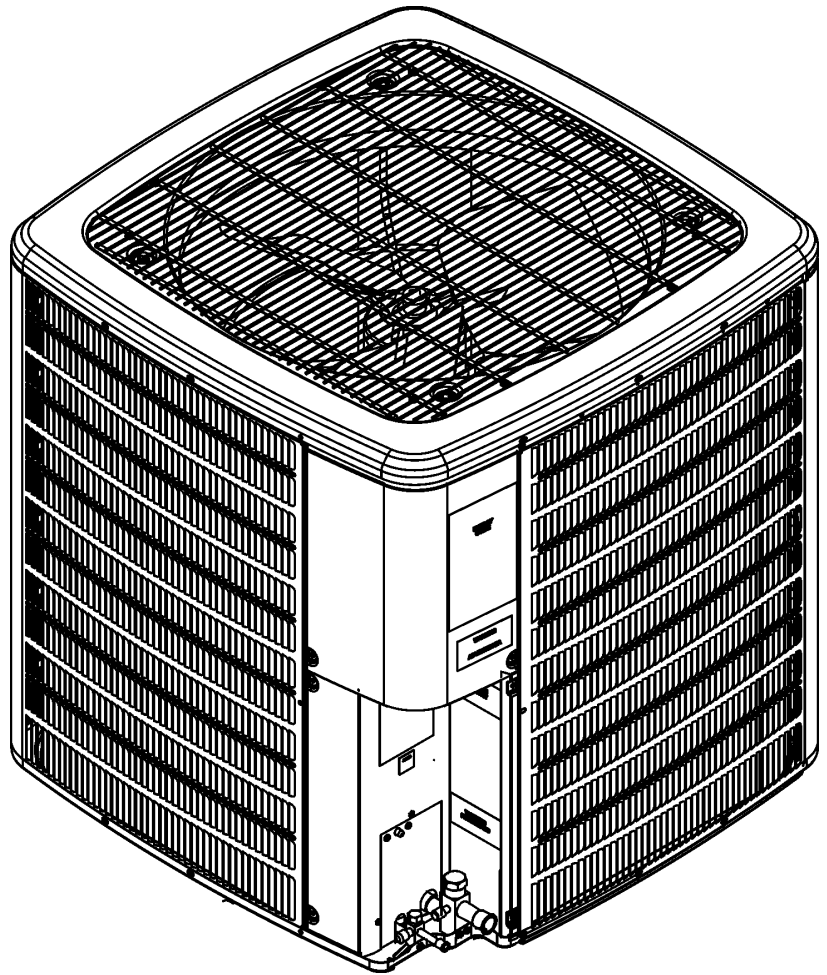


REPAIR PARTS

DSZC 16/18 SEER Remote Heat Pump

DSZC160241AF
DSZC160361AF
DSZC160481AF
DSZC160601BD
DSZC180361AE
DSZC180481AE
DSZC180601BC



This manual is to be used by qualified technicians only.

© 2014 Goodman Manufacturing Company, L.P. ♦ 5151 San Felipe, Suite 500 ♦ Houston, TX 77056

Important Information

Index

Functional Parts List	3
Illustration and Parts	4 - 9

Views shown are for parts illustrations only, not servicing procedures

Text Codes:

AR - As Required

NA - Not Available

NS - Not Shown

00000000 - See Note

QTY - Quantity Example (QTY 3) (If Quantity not shown, Quantity = 1)

M - Model Example (M1) (If M Code not shown, then part is used on all Models)

Expanded Model Nomenclature:

Example M1 - Model#1 M2 - Model#2 M3 - Model#3

Goodman Manufacturing Company, L.P. is not responsible for personal injury or property damage resulting from improper service. Review all service information before beginning repairs.

Warranty service must be performed by an authorized technician, using authorized factory parts. If service is required after the warranty expires, Goodman Manufacturing Company, L.P. also recommends contacting an authorized technician and using authorized factory parts.

Goodman Manufacturing Company, L.P. reserves the right to discontinue, or change at any time, specifications or designs without notice or without incurring obligations.

For assistance within the U.S.A. contact:
Consumer Affairs Department
Goodman Manufacturing Company, L.P.
7401 Security Way
Houston, Texas 77040
877-254-4729-Telephone
713-863-2382-Facsimile

For assistance outside the U.S.A. contact:
International Division
Goodman Manufacturing Company, L.P.
7401 Security Way
Houston, Texas 77040
713-861-2500-Telephone
713-863-2382-Facsimile

Functional Parts

Part

No: Description:

B12825171	3/8" SERVICE VALVE
0151L00009	ACCUMULATOR (M2, M5)
0151L00010	ACCUMULATOR (M3, M4, M6, M7)
0151L00008	ACCUMULATOR (M1)
20485201	BI-FLOW FILTER DRIER
CAP050300440RS	CAPACITOR 5/30/370V (M3, M6)
CAP050350440CS	CAPACITOR 5/35/440V (M1)
CAP050400440CT	CAPACITOR 5/40/440V/DUAL RD (M2, M4, M5, M7)
20270812	COMPENSATOR (M3, M4, M5, M6, M7)
0151R00005	COMPENSATOR 16 OZ (M2)
0151R00006	COMPENSATOR 3.5 (M1)
ZPS20K5EPFV130	COMPRESSOR 20000, 208/230 (M1)
ZPS30K5EPFV130	COMPRESSOR 30000, 208/230 (M2, M5)
ZPS40K5EPFV130	COMPRESSOR 41100, 208/230/60/1 (M3, M6)
ZPS49K5EPFV130	COMPRESSOR 49100, 208/230/60/1 (M4, M7)
0131M00295	COND MOTOR 1/6 HP, 2 SP, 8 PL (M1, M2, M3, M4)
0131M00401	COND MOTOR-ECM (M5, M6, M7)
0130M00106	DISC THERMOSTAT CRNKCS HTR SW
11046710	DISC-THERMOSTAT
10625737	FAN BLADE 22" ALUM CCW (M1)
10625738	FAN BLADE 26" ALUM CCW (M2, M3, M4)
0150M00010	FAN BLADE 26" ALUM CCW (M5, M6, M7)
0163R00007	HEATER, CRANKCASE 230V, 40W (M3, M4, M6, M7)
0163R00006	HEATER, CRANKCASE 230V, 40W (M1, M2, M5)
0130R00003	HIGH PRESSURE SWITCH
0130R00002	LOW PRESSURE SWITCH
0130M00054	OUTDOOR AIR TEMP SENSOR
0130M00053	OUTDOOR COIL TEMP SENSOR
PCBHR104	PCB, CONTROL BOARD
0151R00032	VALVE, BASE 3/4" OPEN LEFT (M1)
0151R00033	VALVE, BASE 7/8" OPEN LEFT (M2, M3, M4, M5, M6, M7)

SPECIAL PARTS

0161R00009P NAMEPLATE

Expanded Model Nomenclature

M1 - DSZC160241AF
M2 - DSZC160361AF
M3 - DSZC160481AF
M4 - DSZC160601BD
M5 - DSZC180361AE
M6 - DSZC180481AE
M7 - DSZC180601BC

Cabinet Top / Side Panels

IMAGE 1

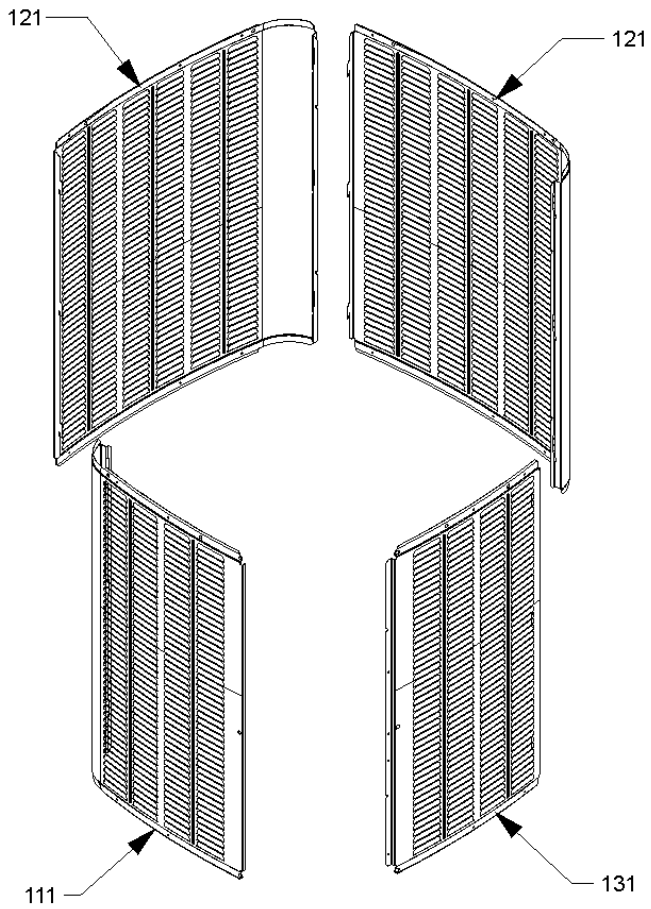
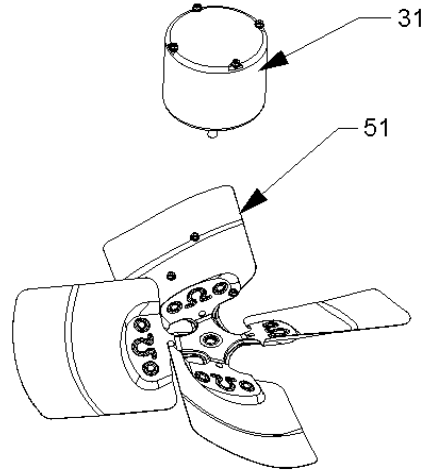
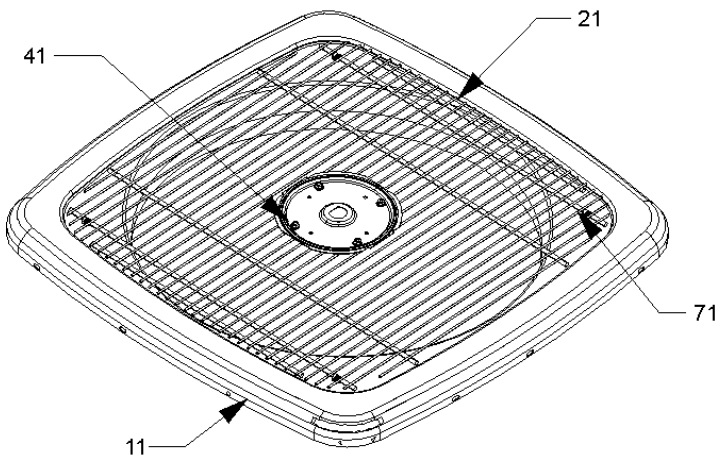
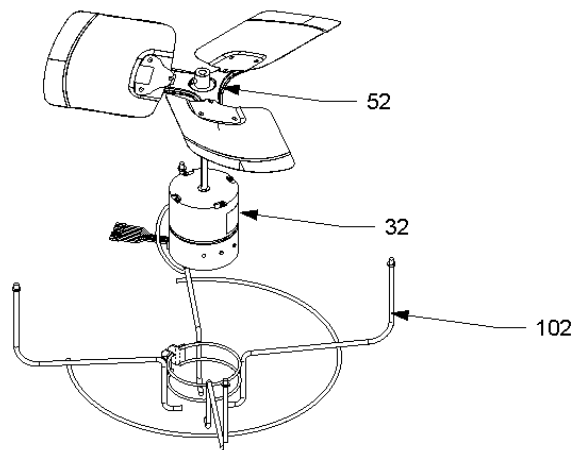


IMAGE 2



Cabinet Top / Side Panels

Ref. Part No: No:	Description:	Ref. Part No: No:	Description:
-------------------	--------------	-------------------	--------------

Image 1:

11	0121R00011PDG	VENTURI TOP PANEL 29" (M1)
11	0121R00013PDG	VENTURI TOP PANEL 35" (M2, M3, M4, M5, M6, M7)
21	0152R00011	GRILLE, WIRE 29" TOP (M1)
21	0152R00014	GRILLE, WIRE 35" TOP (M2, M3, M4, M5, M6, M7)
31	0131M00295	COND MOTOR 1/6 HP, 2 SP, 8 PL (M1, M2, M3,
41	M0280801	HEX NUT (M1, M2, M3, M4)
51	10625737	FAN BLADE 22" ALUM CCW (M1)
51	10625738	FAN BLADE 26" ALUM CCW (M2, M3, M4)
71	0163M00003P	SCREW #10 X 1/2, A, SLOT, SR, BLACK (QTY 6)
111	0121R00027PDGB	LOUVERED SIDE PANEL [LT OF CNTL PNL] (M1)
111	0121R00043PDGB	LOUVERED SIDE PANEL [LT OF CNTL PNL] (M2, M3, M4)
111	0270R00484DGB	LOUVERED SIDE PANEL [LT OF CNTL PNL] (M5, M6, M7)
111	0270R00484PDGB	PAINTED LOUVER PANEL 1 ASSY (M5, M6, M7)
121	0121R00033PDGB	LOUVERED SIDE PANEL (M1)
121	0121R00047PDGB	LOUVERED SIDE PANEL (M2, M3, M4)
121	0270R00485DGB	LOUVERED SIDE PANEL (M5, M6, M7)
131	0121R00039PDG	LOUVERED SIDE PANEL [RT OF CNTL PNL] (M1)
131	0121R00051PDG	LOUVERED SIDE PANEL [RT OF CNTL PNL] (M2, M3, M4)
131	0270R00486DG	LOUVERED SIDE PANEL [RT OF CNTL PNL] (M5, M6, M7)
NS	0161R00002P	CONDUIT (M1)
NS	0161R00004P	CONDUIT (M2, M3, M4)

Image 2:

32	0131M00401	COND MOTOR-ECM (M5, M6, M7)
52	0150M00010	FAN BLADE 26" ALUM CCW (M5, M6, M7)
102	0121R00301	BRACKET, MOTOR MOUNT (M5, M6, M7)
NS	B1393024	LOCK NUT (M5, M6, M7)

Expanded Model Nomenclature

M1 - DSZC160241AF
M2 - DSZC160361AF
M3 - DSZC160481AF
M4 - DSZC160601BD
M5 - DSZC180361AE
M6 - DSZC180481AE
M7 - DSZC180601BC

Control & Access Panel/Cover/Cond Coil

Image 1

*If end bells are needed please order the following:

0131M00182 - 1/2 HP

0131M00183 - 3/4 HP

0131M00184 - 1 HP

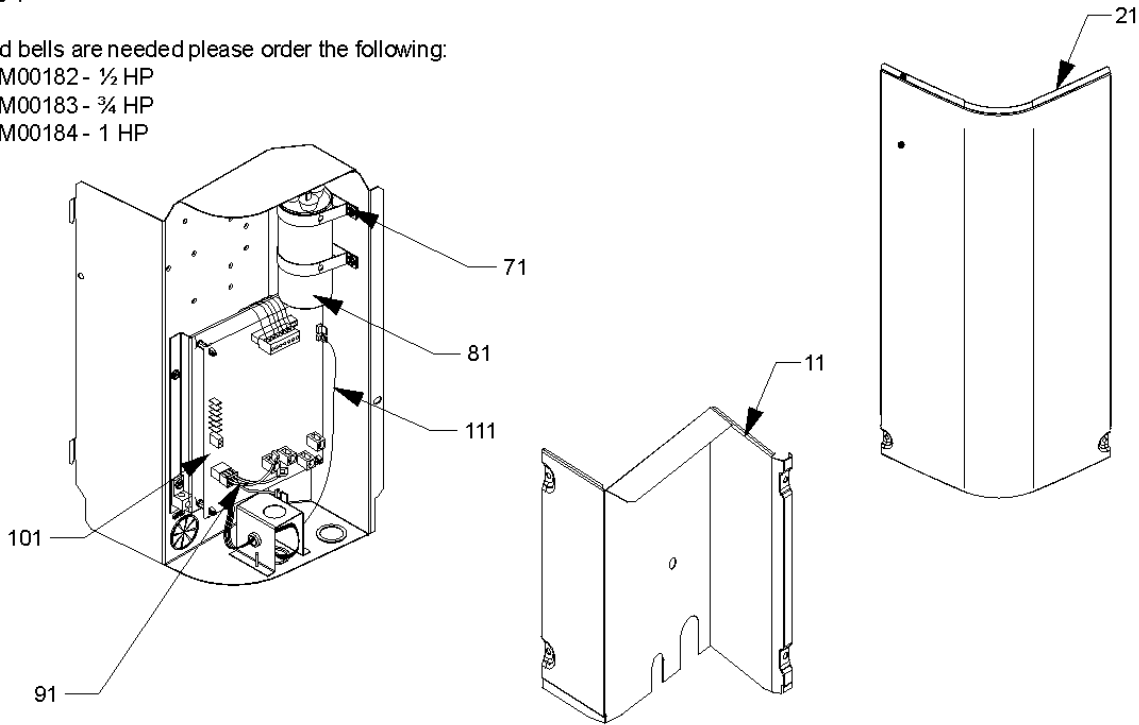
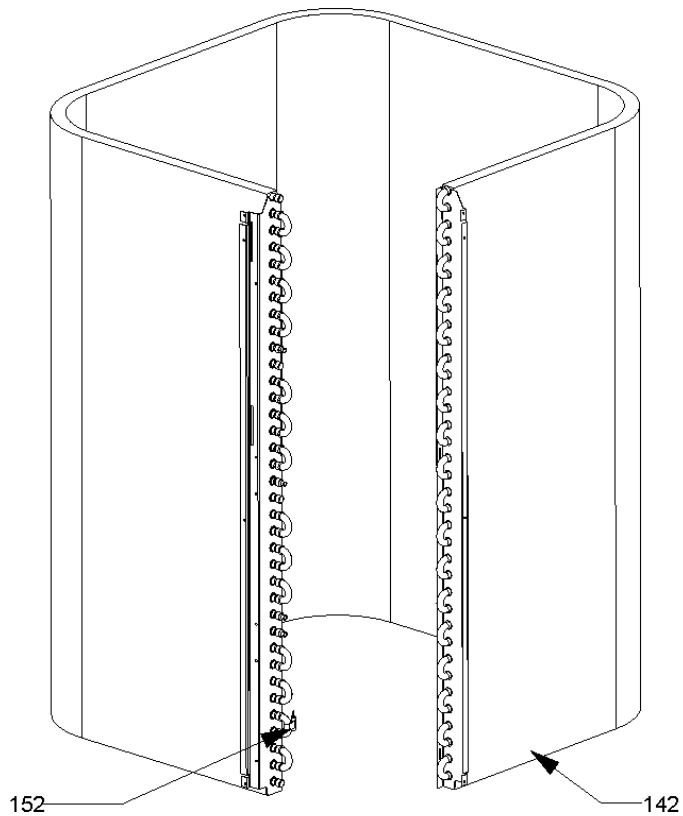


Image 2



Control & Access Panel/Cover/Cond Coil

Ref. Part No: No:	Description:	Ref. Part No: No:	Description:
-------------------	--------------	-------------------	--------------

Image 1:

11	0121R00317	LOWER ACCESS PANEL
21	0121R00054PDG	CONTROL COVER
71	0121R00213	CAPACITOR STRAP (QTY 2)
81	CAP050300440RS	CAPACITOR 5/30/370V (M3, M6)
81	CAP050350440CS	CAPACITOR 5/35/440V (M1)
81	CAP050400440CT	CAPACITOR 5/40/440V/DUAL RD (M2, M4, M5, M7)
91	0159R00011	WIRE ASSEMBLY, ECM MOTOR (M5, M6, M7)
91	0159R00010	WIRE ASSEMBLY, PSC MOTOR (M1, M2, M3, M4)
101	PCBHR104	PCB, CONTROL BOARD
111	0130M00054	OUTDOOR AIR TEMP SENSOR
NS	0161R00009P	NAMEPLATE

Image 2:

142	0201R00341	TUBING ASSY, COND COIL (M3, M4, M6, M7)
142	0201R00346	TUBING ASSY, COND COIL (M1)
142	0201R00347	TUBING ASSY, COND COIL (M2)
142	0201R00348	TUBING ASSY, COND COIL (M5)
152	0130M00053	OUTDOOR COIL TEMP SENSOR

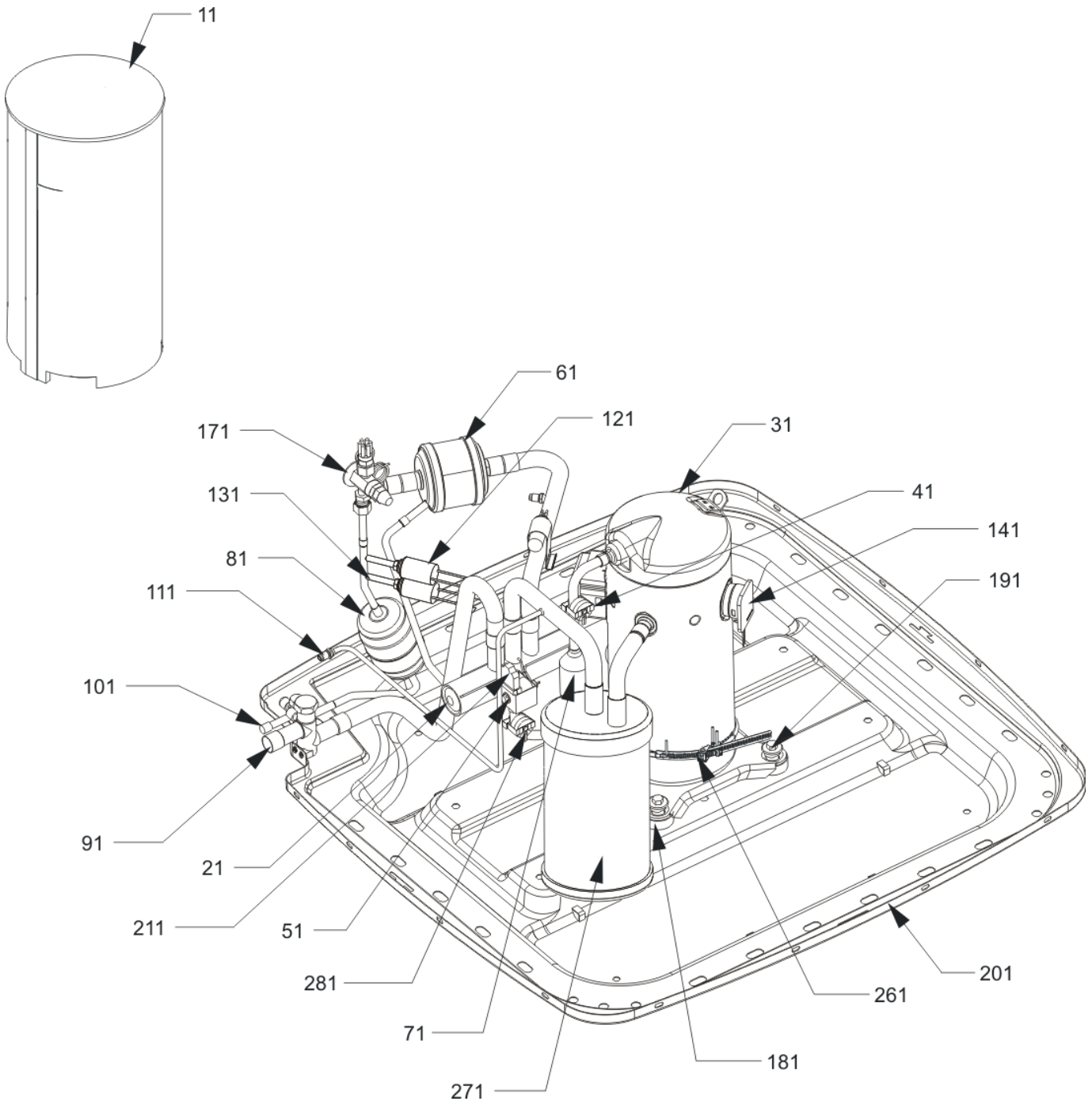
Expanded Model Nomenclature

- M1 - DSZC160241AF
- M2 - DSZC160361AF
- M3 - DSZC160481AF
- M4 - DSZC160601BD
- M5 - DSZC180361AE
- M6 - DSZC180481AE
- M7 - DSZC180601BC

*If end bells are needed please order the following:

- 0131M00182 - 1/2 HP
- 0131M00183 - 3/4 HP
- 0131M00184 - 1 HP

Basepan / Compressor / Tubing Assembly



Basepan / Compressor / Tubing Assembly

Ref. Part No:	No:	Description:	Ref. Part No:	No:	Description:
<i>Image 1:</i>					
11	B1488806	COMPRESSOR SOUND BLANKET (M3, M4, M6, M7)			
11	B1488810	COMPRESSOR SOUND BLANKET (M1, M2, M5)			
21	0151R00068	REVERSING VALVE (M1)			
21	0151R00071	REVERSING VALVE (M2, M3, M4, M5, M6, M7)			
31	ZPS20K5EPFV130	COMPRESSOR 20000, 208/230 (M1)			
31	ZPS30K5EPFV130	COMPRESSOR 30000, 208/230 (M2, M5)			
31	ZPS40K5EPFV130	COMPRESSOR 41100, 208/230/60/1 (M3, M6)			
31	ZPS49K5EPFV130	COMPRESSOR 49100, 208/230/60/1 (M4, M7)			
41	11046710	DISC-THERMOSTAT			
51	B1225022	SOLENOID COIL			
61	20270812	COMPENSATOR (M3, M4, M5, M6, M7)			
61	0151R00005	COMPENSATOR 16 OZ (M2)			
61	0151R00006	COMPENSATOR 3.5 (M1)			
71	0162R00007	MUFFLER 1/2 X 1/2			
81	20485201	BI-FLOW FILTER DRIER			
91	0151R00032	VALVE, BASE 3/4" OPEN LEFT (M1)			
91	0151R00033	VALVE, BASE 7/8" OPEN LEFT (M2, M3, M4, M5, M6, M7)			
101	B12825171	3/8" SERVICE VALVE			
111	B1787000	VALVE CORE			
121	0130R00003	HIGH PRESSURE SWITCH			
131	0130R00002	LOW PRESSURE SWITCH			
141	0130M00005P	WIRE HARNESS, COMPRESSOR SOLENOID			
171	0151M00002	TXV VALVE (M2, M5)			
171	0151M00004	TXV VALVE (M1)			
171	0151M00010	TXV VALVE (M3, M4, M6, M7)			
181	0164M00018	COMPRESSOR GROMMET (M5, M6, M7)			
181	B1339533	COMPRESSOR GROMMET (M1, M2, M3, M4)			
191	M0221641	TF SHOULDER SCREW (QTY 4)			
201	0121R00006PDG	BASE PAN 29" (M1)			
201	0121R00007PDG	BASE PAN 35" (M2, M3, M4, M5, M6, M7)			
211	0130M00084	SOLENOID HARNESS W/1/4" TERM			
261	0163R00006	HEATER, CRANKCASE 230V, 40W (M1, M2, M5)			
261	0163R00007	HEATER, CRANKCASE 230V, 40W (M3, M4, M6, M7)			
271	0151L00008	ACCUMULATOR (M1)			
271	0151L00009	ACCUMULATOR (M2, M5)			
271	0151L00010	ACCUMULATOR (M3, M4, M6, M7)			
281	0130M00106	DISC THERMOSTAT CRNKCS HTR SW			
NS	B1373305	ACCESS FITTING			
NS	0163M00175	CAP WITH O-RING			
NS	B1796633	TEFLON O-RING (QTY 2)			

Expanded Model Nomenclature

M1 - DSZC160241AF
M2 - DSZC160361AF
M3 - DSZC160481AF
M4 - DSZC160601BD
M5 - DSZC180361AE
M6 - DSZC180481AE
M7 - DSZC180601BC