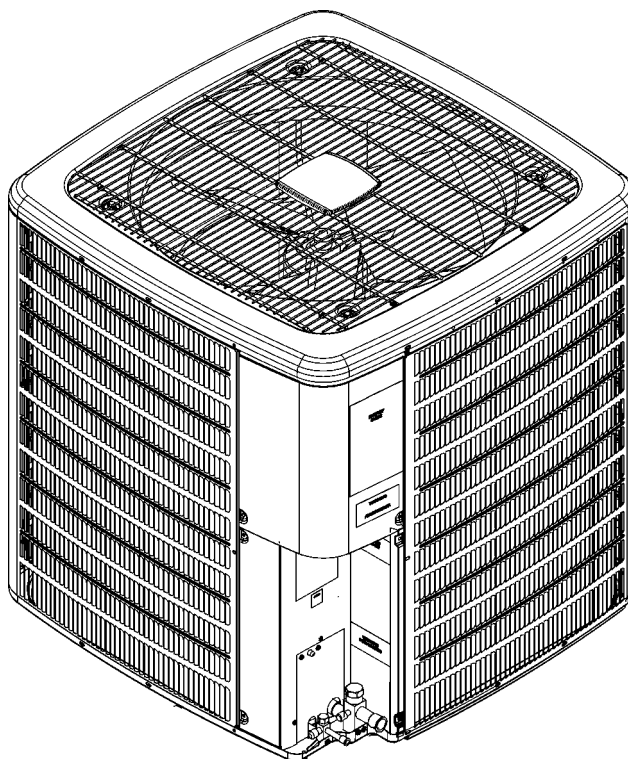


# REPAIR PARTS

## DSZ16 & DSZ18 R410A Remote Heat Pump Unit

---

DSZ160241AA  
DSZ160241AB  
DSZ160241AC  
DSZ160361AA  
DSZ160361AB  
DSZ160481AA  
DSZ160481AB  
DSZ160601AA  
DSZ160601AB  
DSZ180361AA  
DSZ180361AB  
DSZ180481AA  
DSZ180481AB  
DSZ180601AA  
DSZ180601AB



This manual is to be used by qualified technicians only.

This manual replaces RP-573A

© 2009-2010 Goodman Manufacturing Company, L.P. ♦ 5151 San Felipe, Suite 500 ♦ Houston, TX 77056

# Important Information

---

## Index

Functional Parts List .....	3
Illustration and Parts .....	4 - 9

*Views shown are for parts illustrations only, not servicing procedures.*

Revision B: Added DSZ160241AB, DSZ160241AC, DSZ160361AB, DSZ160481AB, DSZ160481AB, DSZ160601AB, DSZ180361AB, DSZ160481AB, and DSZ160601AB

### Text Codes:

AR - As Required

NA - Not Available

NS - Not Shown

00000000 - See Note

QTY - Quantity Example (QTY 3) (If Quantity not shown, Quantity = 1)

M - Model Example (M1) (If M Code not shown, then part is used on all Models)

### Expanded Model Nomenclature:

Example M1 - Model#1 M2 - Model#2 M3 - Model#3
---

Goodman Manufacturing Company, L.P. is not responsible for personal injury or property damage resulting from improper service. Review all service information before beginning repairs.

Warranty service must be performed by an authorized technician, using authorized factory parts. If service is required after the warranty expires, Goodman Manufacturing Company, L.P. also recommends contacting an authorized technician and using authorized factory parts.

Goodman Manufacturing Company, L.P. reserves the right to discontinue, or change at any time, specifications or designs without notice or without incurring obligations.

For assistance within the U.S.A. contact:  
Consumer Affairs Department  
Goodman Manufacturing Company, L.P.  
7401 Security Way  
Houston, Texas 77040  
877-254-4729-Telephone  
713-863-2382-Facsimile

For assistance outside the U.S.A. contact:  
International Division  
Goodman Manufacturing Company, L.P.  
7401 Security Way  
Houston, Texas 77040  
713-861-2500-Telephone  
713-863-2382-Facsimile

# Functional Parts

## Part

## No: Description:

0151R00002P	3/4" SERVICE VALVE OPEN LEFT (M1, M2, M3)
B12825171	3/8" SERVICE VALVE
0151R00003P	7/8" SERVICE VALVE OPEN LEFT (M4, M5, M6, M7, M8, M9, M10, M11, M12, M13, M14, M15)
CAP050350440RSS	CAPACITOR 5/35/440V (M1, M2, M3)
CAP050400440RTS	CAPACITOR 5/40/440V (M4, M5, M10, M11)
CAP050450440RTS	CAPACITOR 5/45/440V (M6, M7, M12, M13)
CAP050800440RTS	CAPACITOR 5/80/440V (M8, M9, M14, M15)
ZPS20K4EPFV930	COMPRESSOR 20000, 208/230/60/1/2STG (M1, M2, M3)
ZPS30K4EPFV930	COMPRESSOR 30000, 208/230/60/1/2STG (M4, M5, M10, M11)
ZPS40K4EPFV930	COMPRESSOR 40000, 208/230/60/1/2STG (M6, M7, M12, M13)
ZPS51K4EPFV930	COMPRESSOR 52000, 208/230/60/1/2STG (M8, M9, M14, M15)
0131M00038S	COND MOTOR 1/6 HP, 2 SP, 8 PL (M1, M2, M3, M4, M5, M6, M7, M8, M9)
0131M00086S	COND MOTOR-ECM (M10, M11, M12, M13, M14, M15)
CONT2P025024VS	CONTACTOR 25 AMP, 2P, 24V (M1, M2, M3)
CONT2P030024VS	CONTACTOR 30 AMP, 2P, 24V (M4, M5, M6, M7, M10, M11, M12, M13)
CONT2P040024VS	CONTACTOR 40 AMP, 2P, 24V (M8, M9, M14, M15)
20322603	CUT-OUT SWITCH, HIGH PRESSURE
PCBDM130	DEFROST CONTROL BOARD
B1370803	DEFROST THERMOSTAT
10625737S	FAN BLADE 22" ALUM CCW (M1, M2, M3)
0150M00010S	FAN BLADE 26" ALUM CCW (M10, M11, M12, M13, M14, M15)
10625738S	FAN BLADE 26" ALUM CCW (M4, M5, M6, M7, M8, M9)
0130R00000S	LOW PRESSURE SWITCH
543003302	MODULE, COMFORT ALERT
10135604	RELAY (M1, M2, M3, M4, M5, M6, M7, M8, M9)
0151M00019S	REVERSING VALVE (M1)
0151M00021S	REVERSING VALVE (M4, M5, M6, M7, M8, M9, M10, M11, M12, M13, M14, M15)
0151M00018S	REVERSING VALVE (M2, M3)
B1225022S	SOLENOID COIL
11046711	THERMOSTAT DISC
0151M00011S	TXV VALVE (M10, M11)
0151M00010S	TXV VALVE (M6, M7, M8, M9, M12, M13, M14, M15)
0151M00002	TXV VALVE (M4, M5)
0151M00004	TXV VALVE (M1, M2, M3)

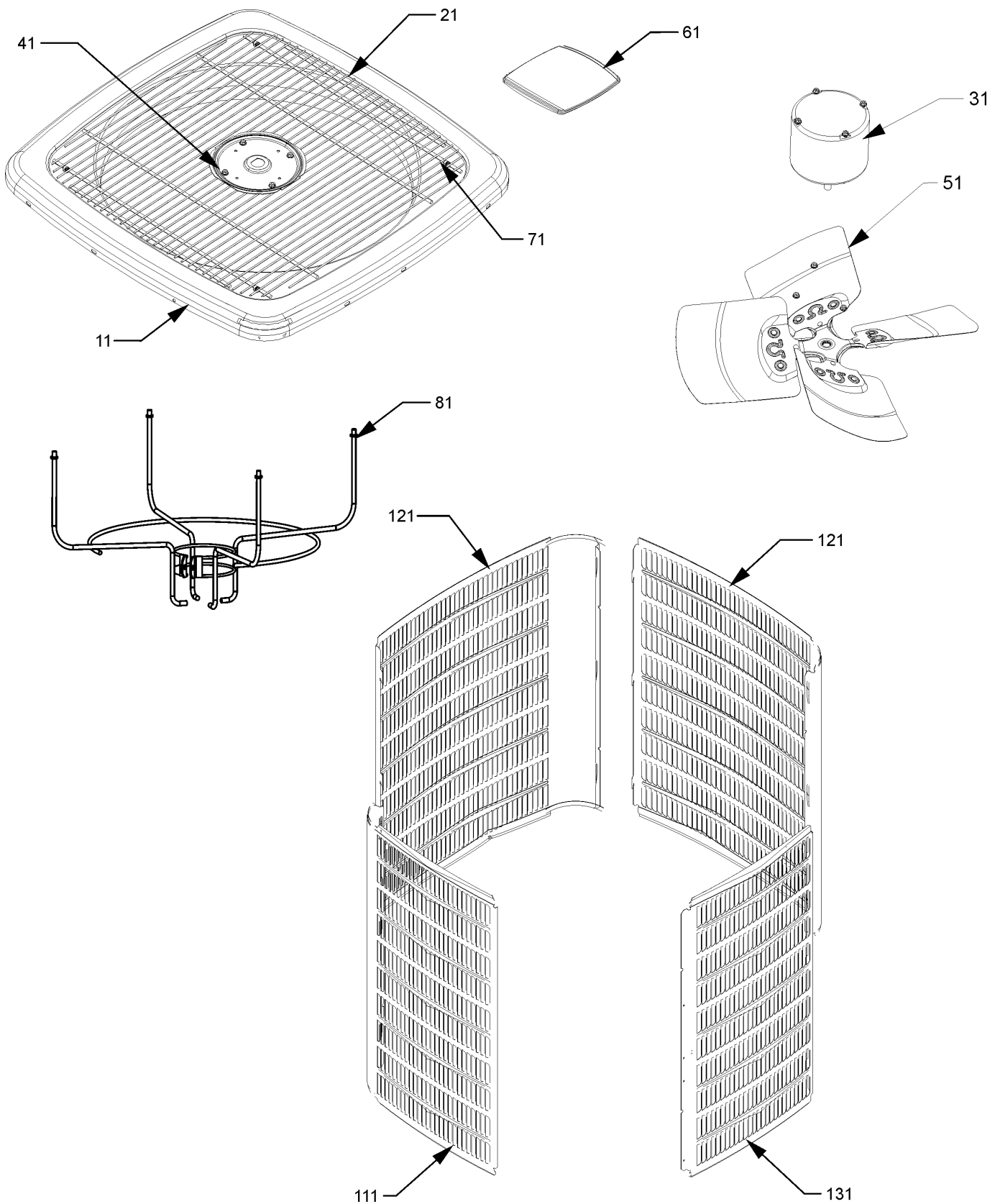
## SPECIAL PARTS

0261R00024	GRILL CAP
IO-259J	INSTRUCTION, INST
0161R00009P	NAMEPLATE

## Expanded Model Nomenclature

M1 - DSZ160241AA
M2 - DSZ160241AB
M3 - DSZ160241AC
M4 - DSZ160361AA
M5 - DSZ160361AB
M6 - DSZ160481AA
M7 - DSZ160481AB
M8 - DSZ160601AA
M9 - DSZ160601AB
M10 - DSZ180361AA
M11 - DSZ180361AB
M12 - DSZ180481AA
M13 - DSZ180481AB
M14 - DSZ180601AA
M15 - DSZ180601AB

# Cabinet Top / Side Panels



# Cabinet Top / Side Panels

Ref. Part No:	No:	Description:	Ref. Part No:	No:	Description:
<i>Image 1:</i>			Expanded Model Nomenclature		
11	0121R00011PDG	VENTURI TOP PANEL 29" (M1, M2, M3)	M1 -	DSZ160241AA	
11	0121R00013PDG	VENTURI TOP PANEL 35" (M4, M5, M6, M7, M8, M9, M10, M11, M12, M13, M14, M15)	M2 -	DSZ160241AB	
21	0152R00008	WIRE GRILL 29" (M1, M2, M3)	M3 -	DSZ160241AC	
21	0152R00009	WIRE GRILL 35" (M4, M5, M6, M7, M8, M9, M10, M11, M12, M13, M14, M15)	M4 -	DSZ160361AA	
31	0131M00038S	COND MOTOR 1/6 HP, 2 SP, 8 PL (M1, M2, M3, M4, M5, M6, M7, M8, M9)	M5 -	DSZ160361AB	
31	0131M00086S	COND MOTOR-ECM (M10, M11, M12, M13, M14, M15)	M6 -	DSZ160481AA	
41	M0280801	HEX NUT (M1, M2, M3, M4, M5, M6, M7, M8, M9)	M7 -	DSZ160481AB	
51	10625737S	FAN BLADE 22" ALUM CCW (M1, M2, M3)	M8 -	DSZ160601AA	
51	0150M00010S	FAN BLADE 26" ALUM CCW (M10, M11, M12, M13, M14, M15)	M9 -	DSZ160601AB	
51	10625738S	FAN BLADE 26" ALUM CCW (M4, M5, M6, M7, M8, M9)	M10 -	DSZ180361AA	
61	0261R00024	GRILL CAP	M11 -	DSZ180361AB	
71	0163M00003P	SCREW #10 X 1/2, A, SLOT, SR, BLACK (QTY 4)	M12 -	DSZ180481AA	
81	0121R00003	MOTOR MOUNT BRACKET (M10, M11, M12, M13, M14, M15)	M13 -	DSZ180481AB	
111	0121R00027PDGB	LOUVERED SIDE PANEL [LT OF CNTL PNL] (M1, M2, M3)	M14 -	DSZ180601AA	
111	0121R00043PDGB	LOUVERED SIDE PANEL [LT OF CNTL PNL] (M4, M5, M6, M7, M8, M9)	M15 -	DSZ180601AB	
111	0270R00484DGBS	LOUVERED SIDE PANEL [LT OF CNTL PNL] (M10, M11, M12, M13, M14, M15)			
121	0121R00033PDGB	LOUVERED SIDE PANEL (M1, M2, M3)			
121	0121R00047PDGB	LOUVERED SIDE PANEL (M4, M5, M6, M7, M8, M9)			
121	0270R00485DGBS	LOUVERED SIDE PANEL (M10, M11, M12, M13, M14, M15)			
131	0121R00039PDG	LOUVERED SIDE PANEL [RT OF CNTL PNL] (M1, M2, M3)			
131	0121R00051PDG	LOUVERED SIDE PANEL [RT OF CNTL PNL] (M4, M5, M6, M7, M8, M9)			
131	0270R00486DGS	LOUVERED SIDE PANEL [RT OF CNTL PNL] (M10, M11, M12, M13, M14, M15)			
NS	0161R00002P	CONDUIT (M1, M2, M3)			
NS	0161R00004P	CONDUIT (M4, M5, M6, M7, M8, M9)			
NS	B1393024	LOCK NUT (M10, M11, M12, M13, M14, M15)			

# Control & Access Panel/Cover/Cond Coil

Image 1

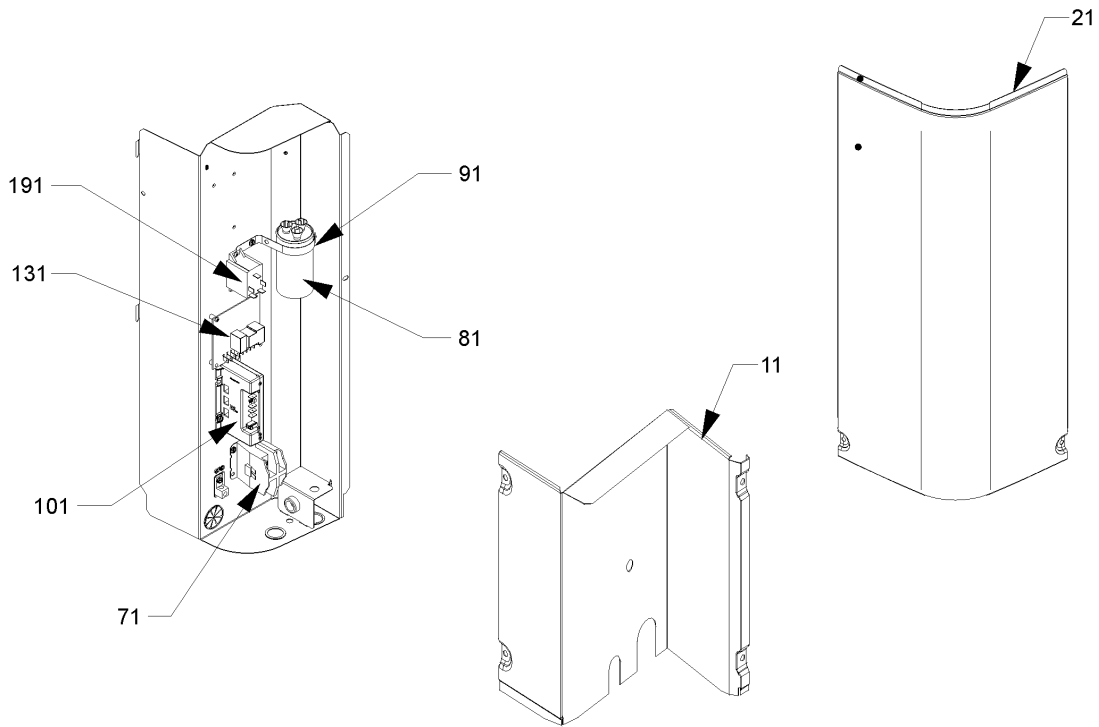
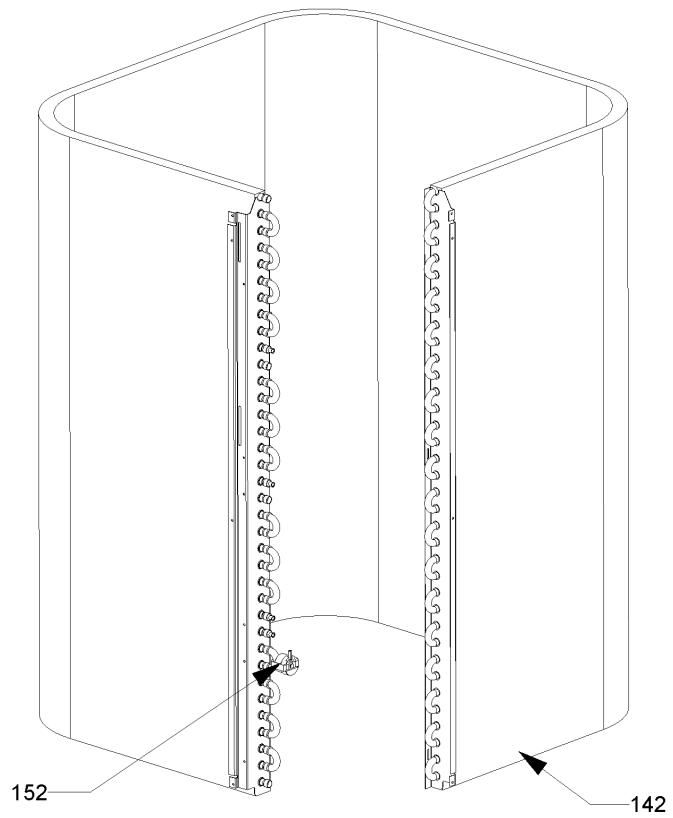


Image 2



# Control & Access Panel/Cover/Cond Coil

Ref. Part No: No:	Description:	Ref. Part No: No:	Description:
-------------------	--------------	-------------------	--------------

*Image 1:*

11	4400209PDG	LOWER ACCESS PANEL
21	0121R00054PDG	CONTROL COVER
71	CONT2P025024VS	CONTACTOR 25 AMP, 2P, 24V (M1, M2, M3)
71	CONT2P030024VS	CONTACTOR 30 AMP, 2P, 24V (M4, M5, M6, M7, M10, M11, M12, M13)
71	CONT2P040024VS	CONTACTOR 40 AMP, 2P, 24V (M8, M9, M14, M15)
81	CAP050350440RSS	CAPACITOR 5/35/440V (M1, M2, M3)
81	CAP050400440RTS	CAPACITOR 5/40/440V (M4, M5, M10, M11)
81	CAP050450440RTS	CAPACITOR 5/45/440V (M6, M7, M12, M13)
81	CAP050800440RTS	CAPACITOR 5/80/440V (M8, M9, M14, M15)
91	4400065	CAPACITOR STRAP
101	543003302	MODULE, COMFORT ALERT
131	PCBDM130	DEFROST CONTROL BOARD
191	10135604	RELAY (M1, M2, M3, M4, M5, M6, M7, M8, M9)
NS	0161R00009P	NAMEPLATE

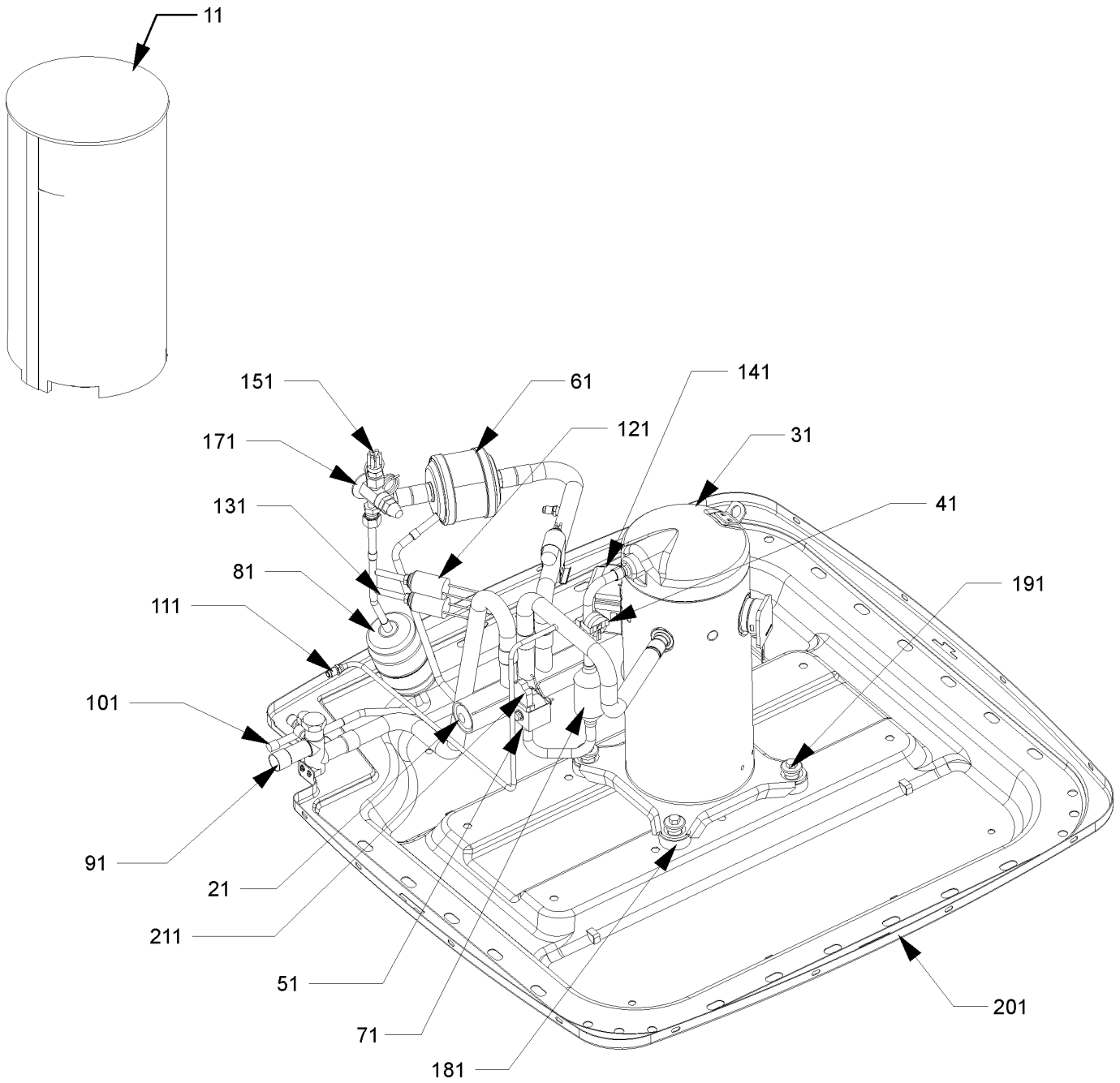
*Image 2:*

142	0201R00074S	TUBING ASSY, COND COIL (M1, M2, M3)
142	0201R00075S	TUBING ASSY, COND COIL (M4, M5)
142	0201R00147S	TUBING ASSY, COND COIL (M6, M7, M8, M9, M12, M13, M14, M15)
142	0201R00148S	TUBING ASSY, COND COIL (M10, M11)
152	B1370803	DEFROST THERMOSTAT

Expanded Model Nomenclature

M1 - DSZ160241AA
M2 - DSZ160241AB
M3 - DSZ160241AC
M4 - DSZ160361AA
M5 - DSZ160361AB
M6 - DSZ160481AA
M7 - DSZ160481AB
M8 - DSZ160601AA
M9 - DSZ160601AB
M10 - DSZ180361AA
M11 - DSZ180361AB
M12 - DSZ180481AA
M13 - DSZ180481AB
M14 - DSZ180601AA
M15 - DSZ180601AB

# Basepan / Compressor / Tubing Assembly



# Basepan / Compressor / Tubing Assembly

Ref. Part No:	No:	Description:	Ref. Part No:	No:	Description:
<i>Image 1:</i>			Expanded Model Nomenclature		
11	B1488806	COMPRESSOR SOUND BLANKET	M1	-	DSZ160241AA
21	0151M00018S	REVERSING VALVE (M2, M3)	M2	-	DSZ160241AB
21	0151M00019S	REVERSING VALVE (M1)	M3	-	DSZ160241AC
21	0151M00021S	REVERSING VALVE (M4, M5, M6, M7, M8, M9, M10, M11, M12, M13, M14, M15)	M4	-	DSZ160361AA
31	ZPS20K4EPFV930	COMPRESSOR 20000, 208/230/60/1/2STG (M1, M2, M3)	M5	-	DSZ160361AB
31	ZPS30K4EPFV930	COMPRESSOR 30000, 208/230/60/1/2STG (M4, M5, M10, M11)	M6	-	DSZ160481AA
31	ZPS40K4EPFV930	COMPRESSOR 40000, 208/230/60/1/2STG (M6, M7, M12, M13)	M7	-	DSZ160481AB
31	ZPS51K4EPFV930	COMPRESSOR 52000, 208/230/60/1/2STG (M8, M9, M14, M15)	M8	-	DSZ160601AA
41	11046711	THERMOSTAT DISC	M9	-	DSZ160601AB
51	B1225022S	SOLENOID COIL	M10	-	DSZ180361AA
61	20270812	COMPENSATOR (M6, M7, M8, M9, M10, M11, M12, M13, M14, M15)	M11	-	DSZ180361AB
61	0151R00005	COMPENSATOR 16 OZ (M4, M5)	M12	-	DSZ180481AA
61	0151R00006	COMPENSATOR 3.5 (M1, M2, M3)	M13	-	DSZ180481AB
71	0162R00007	MUFFLER 1/2 X 1/2 (M1, M2, M3, M4, M5, M6, M7, M8, M9)	M14	-	DSZ180601AA
71	B1219301	MUFFLER 1/2 X 1/2 (M10, M11, M12, M13, M14, M15)	M15	-	DSZ180601AB
81	20485201	BI-FLOW FILTER DRIER			
91	0151R00002P	3/4" SERVICE VALVE OPEN LEFT (M1, M2, M3)			
91	0151R00003P	7/8" SERVICE VALVE OPEN LEFT (M4, M5, M6, M7, M8, M9, M10, M11, M12, M13, M14, M15)			
101	B12825171	3/8" SERVICE VALVE			
111	B1787000	VALVE CORE			
121	20322603	CUT-OUT SWITCH, HIGH PRESSURE			
131	0130R00000S	LOW PRESSURE SWITCH			
141	0130M00005P	WIRE HARNESS, COMPRESSOR SOLENOID			
151	0162M00027S	FLOWRATOR .188 (M4, M5, M6, M7, M8, M9, M10, M11, M12, M13, M14, M15)			
151	0162M00045	FLOWRATOR .188 (M1, M2, M3)			
171	0151M00002	TXV VALVE (M4, M5)			
171	0151M00004	TXV VALVE (M1, M2, M3)			
171	0151M00010S	TXV VALVE (M6, M7, M8, M9, M12, M13, M14, M15)			
171	0151M00011S	TXV VALVE (M10, M11)			
181	0164M00018	COMPRESSOR GROMMET (M10, M11, M12, M13, M14, M15)			
181	B1339533	COMPRESSOR GROMMET (M1, M2, M3, M4, M5, M6, M7, M8, M9)			
191	M0221641	TF SHOULDER SCREW (QTY 4)			
201	0121R00006PDG	BASE PAN 29" (M1, M2, M3)			
201	0121R00007PDG	BASE PAN 35" (M4, M5, M6, M7, M8, M9, M10, M11, M12, M13, M14, M15)			
211	B1225020	SOLENOID COIL CORD W/1/4" TERMINAL (M1, M2, M4, M6, M8, M10, M12, M14)			
211	0130M00083	SOLENOID HARNESS W/1/4" TERM (M3, M5, M7, M9, M11, M13, M15)			

**THIS PAGE INTENTIONALLY LEFT BLANK**