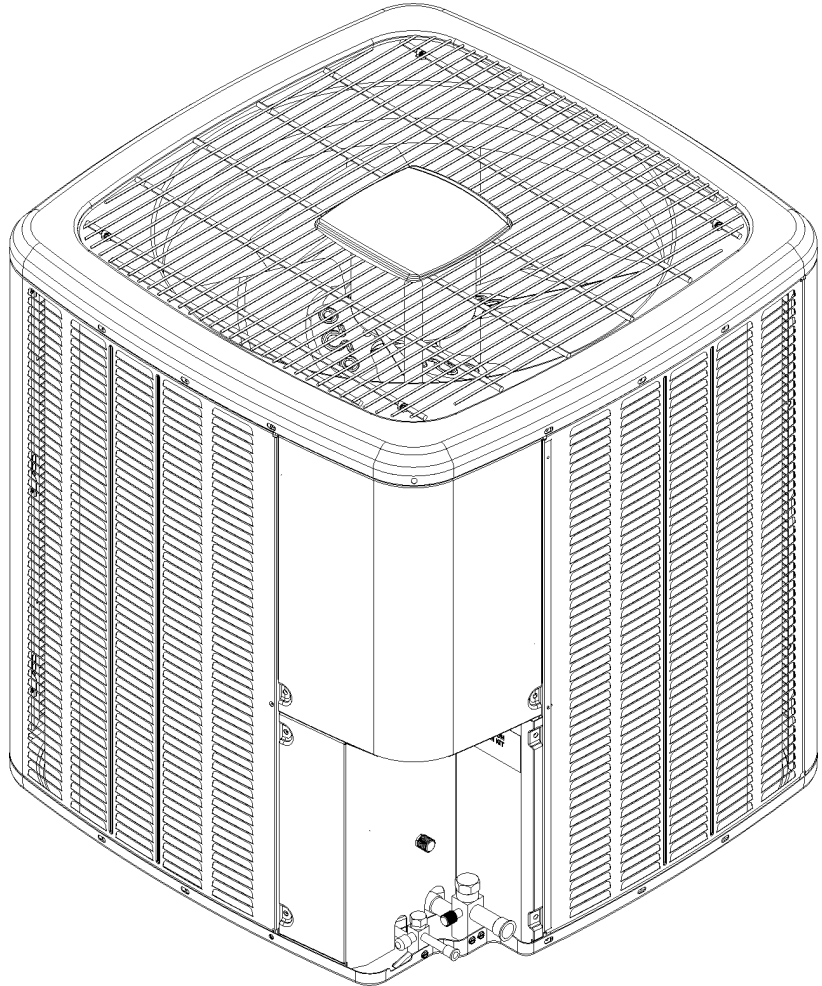


REPAIR PARTS

DSXC16/18 Remote Condensing Units

DSXC160241AA
DSXC160241AB
DSXC160241AC
DSXC160241AF
DSXC160361AA
DSXC160361AB
DSXC160361AC
DSXC160361AE
DSXC160481AA
DSXC160481BA
DSXC160481BB
DSXC160481BC
DSXC160481BE
DSXC160601AA
DSXC160601BA
DSXC160601BB
DSXC160601BC
DSXC180361AA
DSXC180361AB
DSXC180361AC
DSXC180481AA
DSXC180481AB
DSXC180481AC
DSXC180601AA
DSXC180601AB
DSXC180601AC



This manual is to be used by qualified technicians only.

This manual replaces RP-580F.

© 2010, 2012-2014, 2016 Goodman Manufacturing Company, L.P. ♦ 5151 San Felipe St., Suite 500 ♦ Houston, TX 77056

Important Information

Index

Functional Parts List	3
Illustration and Parts	4 - 9

Views shown are for parts illustrations only, not servicing procedures

Text Codes:

AR - As Required

NA - Not Available

NS - Not Shown

00000000 - See Note

QTY - Quantity Example (QTY 3) (If Quantity not shown, Quantity = 1)

M - Model Example (M1) (If M Code not shown, then part is used on all Models)

Expanded Model Nomenclature:

Example M1 - Model#1 M2 - Model#2 M3 - Model#3

Goodman Manufacturing Company, L.P. is not responsible for personal injury or property damage resulting from improper service. Review all service information before beginning repairs.

Warranty service must be performed by an authorized technician, using authorized factory parts. If service is required after the warranty expires, Goodman Manufacturing Company, L.P. also recommends contacting an authorized technician and using authorized factory parts.

Goodman Manufacturing Company, L.P. reserves the right to discontinue, or change at any time, specifications or designs without notice or without incurring obligations.

For assistance within the U.S.A. contact:
Homeowner Support
Goodman Manufacturing Company, L.P.
19001 Kermier Road
Waller, Texas 77484
877-254-4729-Telephone
713-863-2382-Facsimile

For assistance outside the U.S.A. contact:
International Division
Goodman Manufacturing Company, L.P.
19001 Kermier Road
Waller, Texas 77484
713-861-2500-Telephone
713-863-2382-Facsimile

Functional Parts

Part

No: Description:

0151R00079	BASE VALVE 3/4" (M1, M2, M3, M4, M5, M6, M7, M8)
0151R00078	BASE VALVE 3/8"
0151R00080	BASE VALVE 7/8" (M9, M10, M11, M12, M13, M14, M15, M16, M17, M18, M19, M20, M21, M22, M23, M24, M25, M26)
CAP050300440CS	CAP_5/30MFD/440V/DUAL RD (M12, M13, M23)
CAP050350440CS	CAPACITOR 5/35/440V (M1, M2, M3, M4)
CAP050400440CT	CAPACITOR 5/40/440V/DUAL RD (M5, M6, M7, M8, M17, M18, M19, M20, M26)
CAP050450440CT	CAPACITOR 5/45/440V/DUAL RD (M9, M10, M11, M21, M22)
CAP050800440RT	CAPACITOR 5/80/440V (M14, M15, M16, M24, M25)
ZPS20K5EPFV130	COMP, 20000,208/230 (M3, M4)
ZPS51K5EPFV130	COMP, 51900/208/230/60/1 (M26)
ZPS30K5EPFV130	COMP,30000,208/230 (M7, M8, M18, M19, M20)
ZPS20K4EPFV230	COMPRESSOR 20000, 208/230/60/1/2STG (M1, M2)
ZPS30K4EPFV230	COMPRESSOR 30000, 208/230/60/1/2STG (M5, M6)
ZPS40K4EPFV230	COMPRESSOR 40000, 208/230/60/1/2STG (M9, M10, M11, M21, M22)
ZPS40K5EPFV130	COMPRESSOR 41100, 208/230/60/1 (M12, M13, M23)
ZPS49K5EPFV130	COMPRESSOR 49100, 208/230/60/1 (M17)
ZPS49K4EPFV230	COMPRESSOR 49200, 208/230/60/1/2STG (M15, M16)
ZPS51K4EPFV230	COMPRESSOR 52000, 208/230/60/1/2STG (M14, M24, M25)
0131M00115	COND MOTOR 1/6 HP, 2 SP, 8 PL (M9, M10, M14, M15)
0130R00002	CUT-OUT SWITCH, LOW PRESSURE (M1, M5, M9, M18, M21, M24)
0150M00008	FAN BLADE 22" TNT2203-25 (M1, M2, M3, M4)
10625738	FAN BLADE 26" ALUM CCW (M9, M10, M11, M12, M13, M14, M15, M16, M17)
0150M00010	FAN BLADE 26" ALUM CCW (M18, M19, M20, M21, M22, M23, M24, M25, M26)
B1086764	FAN BLADE TYPE 2 (M5, M6, M7, M8)
0130R00003	HIGH PRESSURE SWITCH
0130M00086	LOW PRESSURE SWITCH (M2, M3, M4, M6, M7, M8, M10, M11, M12, M13, M14, M15, M16, M17, M19, M20, M22, M23, M25, M26)
0131M00295	MOTOR 1/6 HP 2SP 8PL (M11, M12, M13, M16, M17)
0131M00118	MOTOR, 1/6HP, 2SP, 8PL (M5, M6, M7, M8)
0131M00117	MOTOR, 1/6HP, 2SP, 8PL (M1, M2, M3, M4)
0131M00401	MOTOR, ECM (M18, M19, M20, M21, M22, M23, M24, M25, M26)
0130M00054	OUTDOOR AIR TEMP SENSOR
PCBGR103	PCB, CONTROL, 2 STG, AC
0130R00043	SHARED DATA (M15, M16, M17)
0130R00024	SHARED DATA (M1, M2, M3, M4)
0130R00025	SHARED DATA (M5, M6, M7, M8)
0130R00026	SHARED DATA (M9)
0130R00027	SHARED DATA (M14)
0130R00028	SHARED DATA (M18, M19, M20)
0130R00029	SHARED DATA (M21, M22, M23)
0130R00030	SHARED DATA (M24, M25, M26)

0130R00041 SHARED DATA (M10, M11, M12, M13)

SPECIAL PARTS

0161R00024 GRILL CAP
0161R00009P NAMEPLATE

Expanded Model Nomenclature

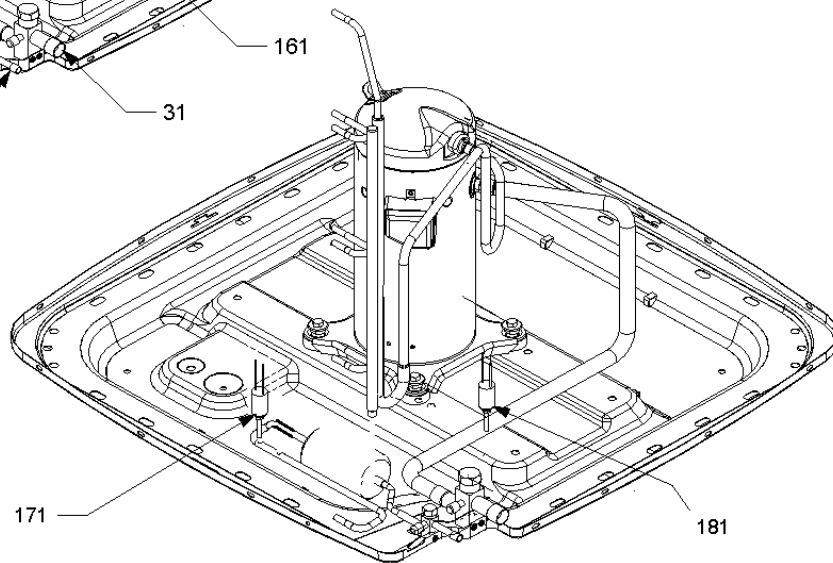
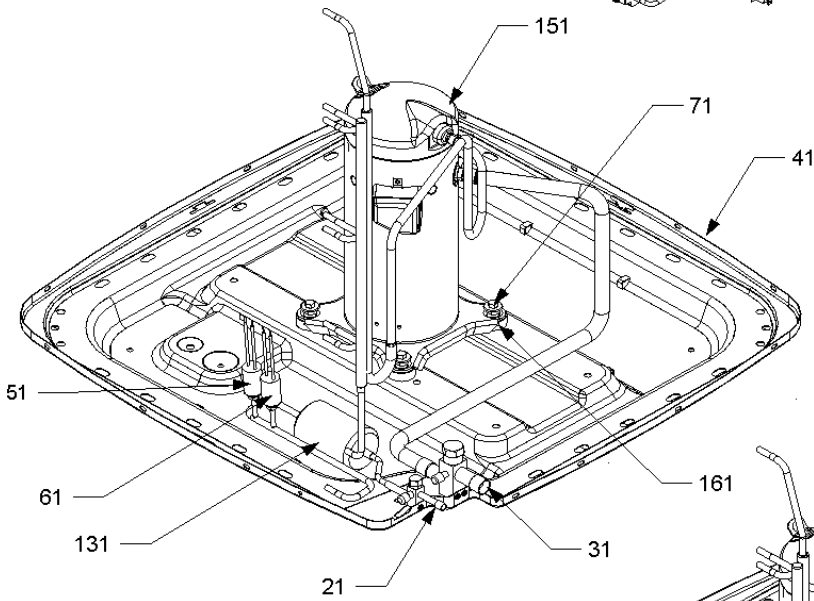
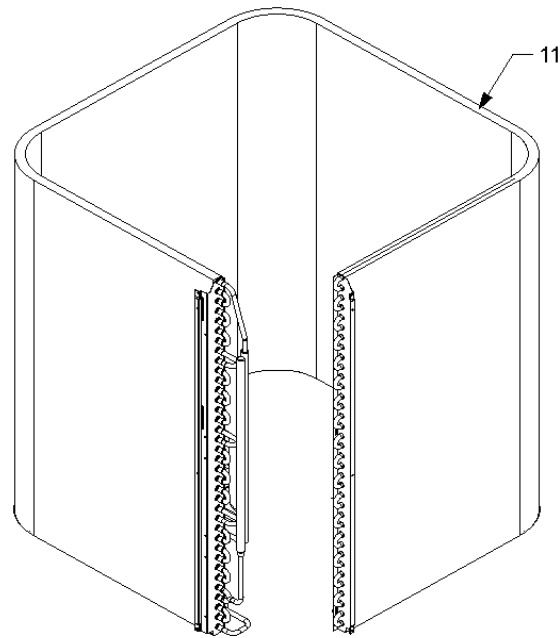
M1 - DSXC160241AA
M2 - DSXC160241AB
M3 - DSXC160241AC
M4 - DSXC160241AF
M5 - DSXC160361AA
M6 - DSXC160361AB
M7 - DSXC160361AC
M8 - DSXC160361AE
M9 - DSXC160481AA
M10 - DSXC160481BA
M11 - DSXC160481BB
M12 - DSXC160481BC
M13 - DSXC160481BE
M14 - DSXC160601AA
M15 - DSXC160601BA
M16 - DSXC160601BB
M17 - DSXC160601BC
M18 - DSXC180361AA
M19 - DSXC180361AB
M20 - DSXC180361AC
M21 - DSXC180481AA
M22 - DSXC180481AB
M23 - DSXC180481AC
M24 - DSXC180601AA
M25 - DSXC180601AB
M26 - DSXC180601AC

Control Cover / Control Box

Ref. Part No: No:	Description:	Ref. Part No: No:	Description:
Image 1:		Expanded Model Nomenclature	
11	0121R00315PDG LOWER ACCESS PANEL (M10, M11, M12, M13)	M1	- DSXC160241AA
11	0121R00317PDG LOWER ACCESS PANEL (M9, M14, M15, M16, M17, M18, M19, M20, M21, M22, M23, M24, M25, M26)	M2	- DSXC160241AB
		M3	- DSXC160241AC
11	0121R00663PDG LOWER ACCESS PANEL (M1, M2, M3, M4, M5, M6, M7, M8)	M4	- DSXC160241AF
		M5	- DSXC160361AA
21	0121R00053PDG CONTROL COVER (M1, M2, M3, M4, M5, M6, M7, M8)	M6	- DSXC160361AB
		M7	- DSXC160361AC
21	0121R00054PDG CONTROL COVER (M9, M10, M11, M12, M13, M14, M15, M16, M17, M18, M19, M20, M21, M22, M23, M24, M25, M26)	M8	- DSXC160361AE
		M9	- DSXC160481AA
31	PCBGR103 PCB, CONTROL, 2 STG, AC	M10	- DSXC160481BA
41	CAP050300440CS CAP,5/30MFD/440V/DUAL RD (M12, M13, M23)	M11	- DSXC160481BB
41	CAP050350440CS CAPACITOR 5/35/440V (M1, M2, M3, M4)	M12	- DSXC160481BC
41	CAP050400440CT CAPACITOR 5/40/440V/DUAL RD (M5, M6, M7, M8, M17, M18, M19, M20, M26)	M13	- DSXC160481BE
		M14	- DSXC160601AA
41	CAP050450440CT CAPACITOR 5/45/440V/DUAL RD (M9, M10, M11, M21, M22)	M15	- DSXC160601BA
41	CAP050800440RT CAPACITOR 5/80/440V (M14, M15, M16, M24, M25)	M16	- DSXC160601BB
51	0121R00213 CAPACITOR STRAP (QTY 2)	M17	- DSXC160601BC
91	0159R00011 WIRE ASSEMBLY, ECM MOTOR (M18, M19, M20, M21, M22, M23, M24, M25, M26)	M18	- DSXC180361AA
		M19	- DSXC180361AB
91	0159R00010 WIRE ASSEMBLY, PSC MOTOR (M1, M2, M3, M4, M5, M6, M7, M8, M9, M10, M11, M12, M13, M14, M15, M16, M17)	M20	- DSXC180361AC
		M21	- DSXC180481AA
111	0130M00054 OUTDOOR AIR TEMP SENSOR	M22	- DSXC180481AB
NS	0161R00009P NAMEPLATE	M23	- DSXC180481AC
NS	0130R00024 SHARED DATA (M1, M2, M3, M4)	M24	- DSXC180601AA
NS	0130R00025 SHARED DATA (M5, M6, M7, M8)	M25	- DSXC180601AB
NS	0130R00026 SHARED DATA (M9)	M26	- DSXC180601AC
NS	0130R00027 SHARED DATA (M14)		
NS	0130R00028 SHARED DATA (M18, M19, M20)		
NS	0130R00029 SHARED DATA (M21, M22, M23)		
NS	0130R00030 SHARED DATA (M24, M25, M26)		
NS	0130R00041 SHARED DATA (M10, M11, M12, M13)		
NS	0130R00043 SHARED DATA (M15, M16, M17)		

*If end bells are needed please order the following:
 0131M00182 - 1/2 HP
 0131M00183 - 3/4 HP
 0131M00184 - 1 HP

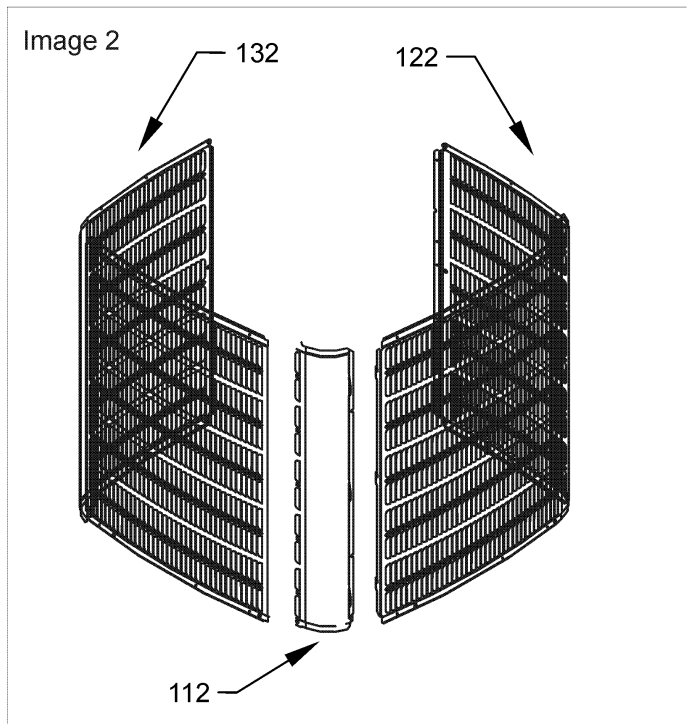
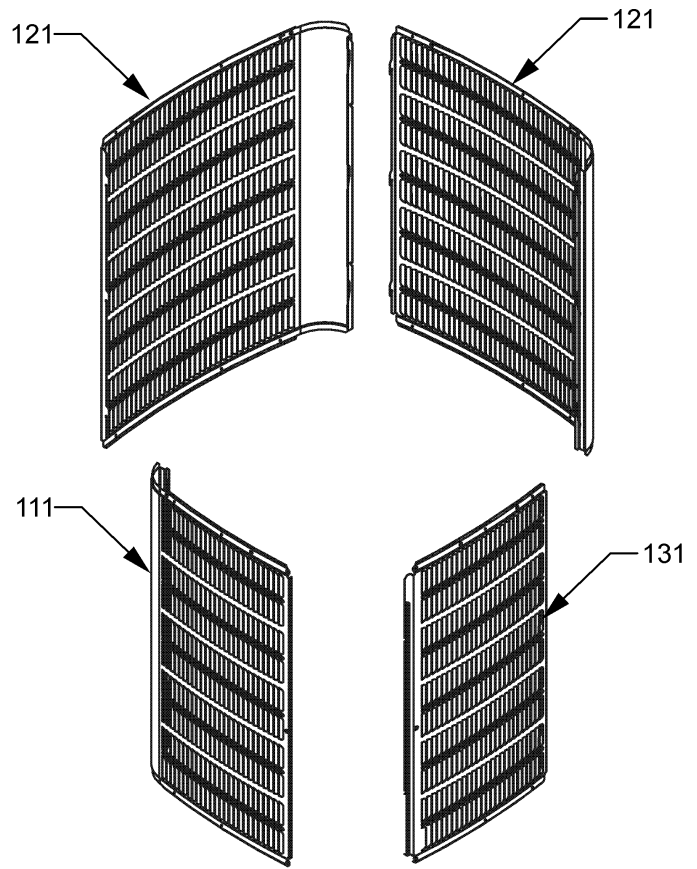
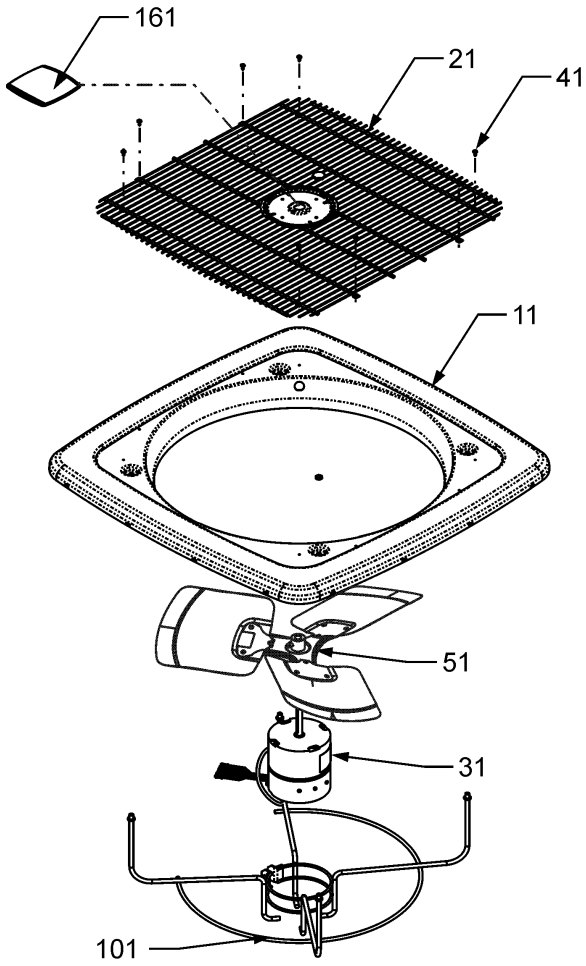
Basepan / Compressor / Tubing Assembly



Basepan / Compressor / Tubing Assembly

Ref. Part No: No:	Description:	Ref. Part No: No:	Description:
Image 1:		Expanded Model Nomenclature	
11	0201R00046 TUBING ASSY, COND COIL (M9, M14, M15, M16, M17, M18, M19, M20)	M1 - DSXC160241AA	
11	0201R00137 TUBING ASSY, COND COIL (M21, M22, M23, M24, M25, M26)	M2 - DSXC160241AB	
11	0201R00296 TUBING ASSY, COND COIL (M1, M2, M3, M4, M5, M6, M7, M8)	M3 - DSXC160241AC	
11	0201R00311 TUBING ASSY, COND COIL (M10, M11, M12, M13)	M4 - DSXC160241AF	
21	0151R00078 BASE VALVE 3/8"	M5 - DSXC160361AA	
31	0151R00079 BASE VALVE 3/4" (M1, M2, M3, M4, M5, M6, M7, M8)	M6 - DSXC160361AB	
31	0151R00080 BASE VALVE 7/8" (M9, M10, M11, M12, M13, M14, M15, M16, M17, M18, M19, M20, M21, M22, M23, M24, M25, M26)	M7 - DSXC160361AC	
41	0121R00006PDG BASE PAN 29" (M1, M2, M3, M4, M5, M6, M7, M8)	M8 - DSXC160361AE	
41	0121R00007PDG BASE PAN 35" (M9, M10, M11, M12, M13, M14, M15, M16, M17, M18, M19, M20, M21, M22, M23, M24, M25, M26)	M9 - DSXC160481AA	
51	0130R00002 CUT-OUT SWITCH, LOW PRESSURE (M1, M5, M9, M18, M21, M24)	M10 - DSXC160481BA	
61	0130R00003 CUT-OUT SWITCH, HIGH PRESSURE (M1, M5, M9, M18, M21, M24)	M11 - DSXC160481BB	
71	M0221641 TF SHOULDER SCREW (QTY 4)	M12 - DSXC160481BC	
131	0162R00009 FILTER DRIER	M13 - DSXC160481BE	
151	ZPS20K5EPFV130 COMP, 20000,208/230 (M3, M4)	M14 - DSXC160601AA	
151	ZPS51K5EPFV130 COMP, 51900/208/230/60/1 (M26)	M15 - DSXC160601BA	
151	ZPS30K5EPFV130 COMP,30000,208/230 (M7, M8, M18, M19, M20)	M16 - DSXC160601BB	
151	ZPS20K4EPFV230 COMPRESSOR 20000, 208/230/60/1/2STG (M1, M2)	M17 - DSXC160601BC	
151	ZPS30K4EPFV230 COMPRESSOR 30000, 208/230/60/1/2STG (M5, M6)	M18 - DSXC180361AA	
151	ZPS40K4EPFV230 COMPRESSOR 40000, 208/230/60/1/2STG (M9, M10, M11, M21, M22)	M19 - DSXC180361AB	
151	ZPS40K5EPFV130 COMPRESSOR 41100, 208/230/60/1 (M12, M13, M23)	M20 - DSXC180361AC	
151	ZPS49K5EPFV130 COMPRESSOR 49100, 208/230/60/1 (M17)	M21 - DSXC180481AA	
151	ZPS49K4EPFV230 COMPRESSOR 49200, 208/230/60/1/2STG (M15, M16)	M22 - DSXC180481AB	
151	ZPS51K4EPFV230 COMPRESSOR 52000, 208/230/60/1/2STG (M14, M24, M25)	M23 - DSXC180481AC	
161	0164M00018 COMPRESSOR GROMMET (M18, M19, M20, M21, M22, M23, M24, M25, M26)	M24 - DSXC180601AA	
161	B1339533 COMPRESSOR GROMMET (M1, M2, M3, M4, M5, M6, M7, M8, M9, M10, M11, M12, M13, M14, M15, M16, M17)	M25 - DSXC180601AB	
171	0130R00003 HIGH PRESSURE SWITCH (M2, M3, M4, M6, M7, M8, M10, M11, M12, M13, M14, M15, M16, M17, M19, M20, M22, M23, M25, M26)	M26 - DSXC180601AC	
181	0130M00086 LOW PRESSURE SWITCH (M2, M3, M4, M6, M7, M8, M10, M11, M12, M13, M14, M15, M16, M17, M19, M20, M22, M23, M25, M26)		
NS	0159R00001P COMPRESSOR SCROLL HARNESS (M3, M4, M7, M8)		
NS	0159R00009 COMPRESSOR SCROLL HARNESS (M12, M13, M17, M18, M19, M20, M23, M26)		
NS	0130M00005P WIRE HARNESS, COMPRESSOR SOLENOID		

Cabinet Top / Side Panels



Cabinet Top / Side Panels

Ref. Part No: No:	Description:	Ref. Part No: No:	Description:
Image 1:		Expanded Model Nomenclature	
11	0121R00011PDG VENTURI TOP PANEL 29" (M1, M2, M3, M4, M5, M6, M7, M8)	M1 - DSXC160241AA	
11	0121R00013PDG VENTURI TOP PANEL 35" (M9, M10, M11, M12, M13, M14, M15, M16, M17, M18, M19, M20, M21, M22, M23, M24, M25, M26)	M2 - DSXC160241AB	
21	0152R00011 GRILLE, WIRE 29" TOP (M1, M2, M3, M4, M5, M6, M7, M8)	M3 - DSXC160241AC	
21	0152R00014 GRILLE, WIRE 35" TOP (M9, M10, M11, M12, M13, M14, M15, M16, M17, M18, M19, M20, M21, M22, M23, M24, M25, M26)	M4 - DSXC160241AF	
31	0131M00115 COND MOTOR 1/6 HP, 2 SP, 8 PL (M9, M10, M14, M15)	M5 - DSXC160361AA	
31	0131M00295 MOTOR 1/6 HP 2SP 8PL (M11, M12, M13, M16, M17)	M6 - DSXC160361AB	
31	0131M00117 MOTOR, 1/6HP, 2SP, 8PL (M1, M2, M3, M4)	M7 - DSXC160361AC	
31	0131M00118 MOTOR, 1/6HP, 2SP, 8PL (M5, M6, M7, M8)	M8 - DSXC160361AE	
31	0131M00401 MOTOR, ECM (M18, M19, M20, M21, M22, M23, M24, M25, M26)	M9 - DSXC160481AA	
41	0163M00003P SCREW #10 X 1/2, A, SLOT, SR, BLACK (QTY 6)	M10 - DSXC160481BA	
51	0150M00008 FAN BLADE 22" TNT2203-25 (M1, M2, M3, M4)	M11 - DSXC160481BB	
51	0150M00010 FAN BLADE 26" ALUM CCW (M18, M19, M20, M21, M22, M23, M24, M25, M26)	M12 - DSXC160481BC	
51	10625738 FAN BLADE 26" ALUM CCW (M9, M10, M11, M12, M13, M14, M15, M16, M17)	M13 - DSXC160481BE	
51	B1086764 FAN BLADE TYPE 2 (M5, M6, M7, M8)	M14 - DSXC160601AA	
101	0121R00003 MOTOR MOUNT BRACKET (M18, M19, M20, M21, M22, M23, M24, M25, M26)	M15 - DSXC160601BA	
111	0121R00043PDGB LOUVERED SIDE PANEL [LT OF CNTL PNL] (M9, M14, M15, M16, M17, M20, M23, M26)	M16 - DSXC160601BB	
111	0121R00125PDGB LOUVERED SIDE PANEL [LT OF CNTL PNL] (M1, M2, M3, M5, M6, M7)	M17 - DSXC160601BC	
111	0121R00228PDGB LOUVERED SIDE PANEL [LT OF CNTL PNL] (M10, M11, M12, M13)	M18 - DSXC180361AA	
111	0270R00484DGB LOUVERED SIDE PANEL [LT OF CNTL PNL] (M18, M19, M21, M22, M24, M25)	M19 - DSXC180361AB	
121	0121R00047PDGB LOUVERED SIDE PANEL (M9, M14, M15, M16, M17, M20, M23, M26)	M20 - DSXC180361AC	
121	0121R00132PDGB LOUVERED SIDE PANEL (M1, M2, M3, M5, M6, M7)	M21 - DSXC180481AA	
121	0121R00231PDGB LOUVERED SIDE PANEL (M10, M11, M12, M13)	M22 - DSXC180481AB	
121	0270R00485DGB LOUVERED SIDE PANEL (M18, M19, M21, M22, M24, M25)	M23 - DSXC180481AC	
131	0121R00139PDG LOUVERED SIDE PANEL [RT OF CNTL PNL] (M1, M2, M3, M5, M6, M7)	M24 - DSXC180601AA	
131	0121R00051PDG LOUVERED SIDE PANEL [RT OF CNTL PNL] (M9, M14, M15, M16, M17, M20, M23, M26)	M25 - DSXC180601AB	
131	0121R00234PDG LOUVERED SIDE PANEL [RT OF CNTL PNL] (M10, M11, M12, M13)	M26 - DSXC180601AC	
131	0270R00486DG LOUVERED SIDE PANEL [RT OF CNTL PNL] (M18, M19, M21, M22, M24, M25)		
161	0161R00024 GRILL CAP		
NS	0161R00002P CONDUIT (M1, M2, M3, M4, M5, M6, M7, M8)		
NS	0161R00004P CONDUIT (M9, M10, M11, M12, M13, M14, M15, M16, M17)		

Image 2:

112	0121R00350PDG Louver Post, PDG 28.73 (M4, M8)
122	0121R00342PDGRS Louver Panel, PDG 29" _28.73 (M4, M8)
132	0121R00342PDGLS Louver Panel, PDG 29" _28.73 (M4, M8)