



REPAIR PARTS

CU SERIES Condensing Units

CU30-1AB
CU30-1AC
CU30-1B
CU36-1AC
CU36-1B
CU42-1B
CU42-1C
CU48-1AC
CU48-1B
CU60-1B
CU60-1C

This manual is to be used by qualified technicians only.

© 1987-2008 Goodman Manufacturing Company, L.P. ♦ 5151 San Felipe, Suite 500 ♦ Houston, TX 77056

Important Information

Index

Functional Parts List	3
Illustration and Parts	4 - 5

Views shown are for parts illustrations only, not servicing procedures.

Text Codes:

AR - As Required

NA - Not Available

NS - Not Shown

00000000 - See Note

QTY - Quantity Example (QTY 3) (If Quantity not shown, Quantity = 1)

M - Model Example (M1) (If M Code not shown, then part is used on all Models)

Expanded Model Nomenclature:

Example M1 - Model#1 M2 - Model#2 M3 - Model#3

Goodman Manufacturing Company, L.P. is not responsible for personal injury or property damage resulting from improper service. Review all service information before beginning repairs.

Warranty service must be performed by an authorized technician, using authorized factory parts. If service is required after the warranty expires, Goodman Manufacturing Company, L.P. also recommends contacting an authorized technician and using authorized factory parts.

Goodman Manufacturing Company, L.P. reserves the right to discontinue, or change at any time, specifications or designs without notice or without incurring obligations.

For assistance within the U.S.A. contact:
Consumer Affairs Department
Goodman Manufacturing Company, L.P.
7401 Security Way
Houston, Texas 77040
877-254-4729-Telephone
713-863-2382-Facsimile

For assistance outside the U.S.A. contact:
International Division
Goodman Manufacturing Company, L.P.
7401 Security Way
Houston, Texas 77040
713-861-2500-Telephone
713-863-2382-Facsimile

Functional Parts

Part

No: Description:

CAP050350370RSS	CAPACITOR 5/35/370V (M1, M2, M3, M5)
CAP050350440RSS	CAPACITOR 5/35/440V (M6)
CAP050400370RSS	CAPACITOR 5/40/370V (M4, M7)
CAP050400440RTS	CAPACITOR 5/40/440V (M8, M9, M10, M11)
B9266314	COMPRESSOR #CRE20225PFV272 (M2)
B9266315	COMPRESSOR #CRF20250PFV270 (M4)
B9266303	COMPRESSOR #CRK30325PRV270 (M8)
B9266304	COMPRESSOR #CRL30350PFV270 (M11)
B9266274	COMPRESSOR #H21A293ABCA (M5)
B9266275	COMPRESSOR #H21A373ABCA (M6)
B9266276	COMPRESSOR #H21A413ABCA (M9)
B9266266	COMPRESSOR #H21A463ABCA (M10)
B9266812A	COMPRESSOR #H21B243ABCA (M1, M3)
CR35K6PFV960	COMPRESSOR 35000, 208/230/60/1 (M7)
0131M00007PS	COND MOTOR 1/4 HP, 1 SP, 8 PL
B1360321	CONTACTOR 25 AMP, 1P, 24V (M1, M2, M3, M4, M5, M6, M7, M11)
CONT2P025024VS	CONTACTOR 25 AMP, 2P, 24V (M8, M9)
CONT2P030024VS	CONTACTOR 30 AMP, 2P, 24V (M10)
B1360712	HIGH PRESSURE CONTROL (M3, M5, M6, M9, M10, M11)
B1360713	HIGH PRESSURE CONTROL (M1, M2, M4, M7, M8)
B1360717	LOW PRESSURE CONTROL
B1141656	START ASSIST
B1370750	TIME DELAY RELAY

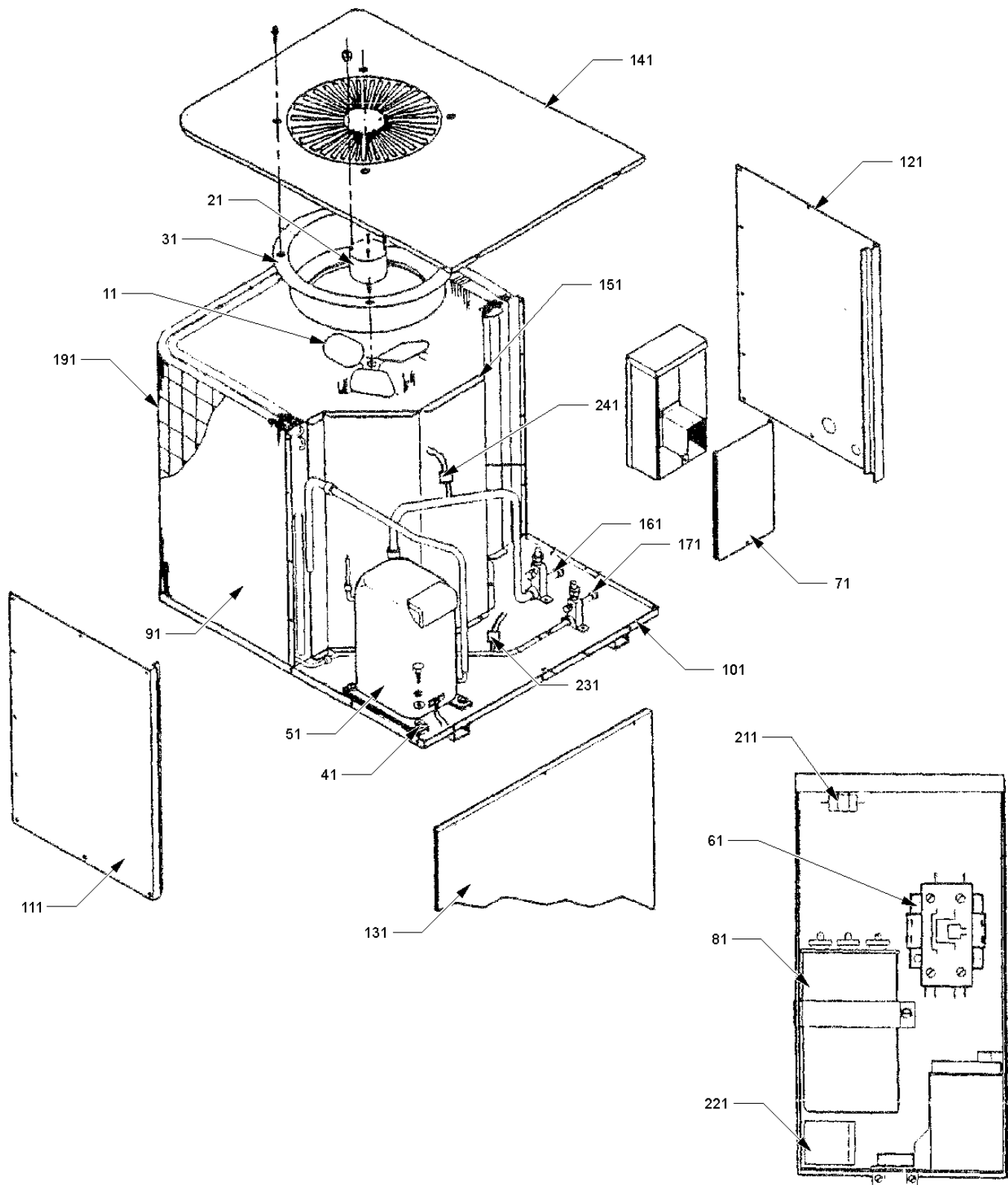
SPECIAL PARTS

RP-524 REPAIR PARTS MANUAL

Expanded Model Nomenclature

M1 - CU30-1AB
M2 - CU30-1AC
M3 - CU30-1B
M4 - CU36-1AC
M5 - CU36-1B
M6 - CU42-1B
M7 - CU42-1C
M8 - CU48-1AC
M9 - CU48-1B
M10 - CU60-1B
M11 - CU60-1C

Replacement Parts List



Replacement Parts List

Ref. Part No:	No:	Description:	Ref. Part No:	No:	Description:											
<i>Image 1:</i>			191	B1259332	INLET GRILLE (M8)											
11	B1086750S	FAN BLADE 22", 3 BLADE, 24°	211	B1141656	START ASSIST											
21	0131M00007PS	COND MOTOR 1/4 HP, 1 SP, 8 PL	221	B1370750	TIME DELAY RELAY											
31	B1787811	VENTURI RING	231	B1360712	HIGH PRESSURE CONTROL (M3, M5, M6, M9, M10, M11)											
41	B1339530	COMPRESSOR GROMMET (QTY 4) (M1, M2, M3, M4, M5, M6, M7, M8, M9, M10)	231	B1360713	HIGH PRESSURE CONTROL (M1, M2, M4, M7, M8)											
41	B1339533	COMPRESSOR GROMMET (QTY 4) (M11)	241	B1360717	LOW PRESSURE CONTROL											
51	B9266314	COMPRESSOR #CRE20225PFV272 (M2)	NS	B1219216	FILTER DRIER											
51	B9266315	COMPRESSOR #CRF20250PFV270 (M4)	NS	B1372800	SIGHT GLASS											
51	B9266303	COMPRESSOR #CRK30325PRV270 (M8)	Expanded Model Nomenclature													
51	B9266304	COMPRESSOR #CRL30350PFV270 (M11)	<table border="1"> <tr><td>M1 - CU30-1AB</td></tr> <tr><td>M2 - CU30-1AC</td></tr> <tr><td>M3 - CU30-1B</td></tr> <tr><td>M4 - CU36-1AC</td></tr> <tr><td>M5 - CU36-1B</td></tr> <tr><td>M6 - CU42-1B</td></tr> <tr><td>M7 - CU42-1C</td></tr> <tr><td>M8 - CU48-1AC</td></tr> <tr><td>M9 - CU48-1B</td></tr> <tr><td>M10 - CU60-1B</td></tr> <tr><td>M11 - CU60-1C</td></tr> </table>			M1 - CU30-1AB	M2 - CU30-1AC	M3 - CU30-1B	M4 - CU36-1AC	M5 - CU36-1B	M6 - CU42-1B	M7 - CU42-1C	M8 - CU48-1AC	M9 - CU48-1B	M10 - CU60-1B	M11 - CU60-1C
M1 - CU30-1AB																
M2 - CU30-1AC																
M3 - CU30-1B																
M4 - CU36-1AC																
M5 - CU36-1B																
M6 - CU42-1B																
M7 - CU42-1C																
M8 - CU48-1AC																
M9 - CU48-1B																
M10 - CU60-1B																
M11 - CU60-1C																
51	B9266274	COMPRESSOR #H21A293ABCA (M5)														
51	B9266275	COMPRESSOR #H21A373ABCA (M6)														
51	B9266276	COMPRESSOR #H21A413ABCA (M9)														
51	B9266266	COMPRESSOR #H21A463ABCA (M10)														
51	B9266812A	COMPRESSOR #H21B243ABCA (M1, M3)														
51	CR35K6PFV960	COMPRESSOR 35000, 208/230/60/1 (M7)														
61	CONT2P025024VS	CONTACTOR 25 AMP, 2P, 24V (M1, M2, M3, M4, M5, M6, M7, M8, M9, M11)														
61	CONT2P030024VS	CONTACTOR 30 AMP, 2P, 24V (M10)														
71	1410900	CONTROL BOX COVER														
81	CAP050350370RSS	CAPACITOR 5/35/370V (M1, M2, M3, M5)														
81	CAP050350440RSS	CAPACITOR 5/35/440V (M6)														
81	CAP050400370RSS	CAPACITOR 5/40/370V (M4, M7)														
81	CAP050400440RTS	CAPACITOR 5/40/440V (M8, M9, M10, M11)														
91	12646201	TUBING ASSY, COND COIL (M1, M2, M3)														
91	12646206	TUBING ASSY, COND COIL (M4, M5, M6, M7, M9, M10, M11)														
91	12646233	TUBING ASSY, COND COIL (M8)														
101	1779101P	BOTTOM PAN														
111	1779202P	LEFT CORNER PANEL (M1, M2, M3, M4, M5, M6, M7, M9, M10, M11)														
111	1779213P	LEFT CORNER PANEL (M8)														
121	1779203P	RIGHT CORNER PANEL (M1, M2, M3, M4, M5, M6, M7, M9, M10, M11)														
121	1779206P	RIGHT CORNER PANEL (M8)														
131	1779303P	ACCESS PANEL (M1, M2, M3, M4, M5, M6, M7, M9, M10, M11)														
131	1779304P	ACCESS PANEL (M8)														
141	1779404S	TOP PANEL														
151	1779501	PARTITION PANEL (M1, M2, M3, M4, M5, M6, M7, M9, M10, M11)														
151	1779502	PARTITION PANEL (M8)														
161	B1282566	3/4" SERVICE VALVE (M1, M2, M3)														
161	B1282543	7/8" SERVICE VALVE (M4, M5, M6, M7, M8, M9, M10, M11)														
171	20163801S	3/8" SERVICE VALVE														
191	B1249333	INLET GRILLE (M1, M2, M3, M4, M5, M6, M7, M9, M10, M11)														

