

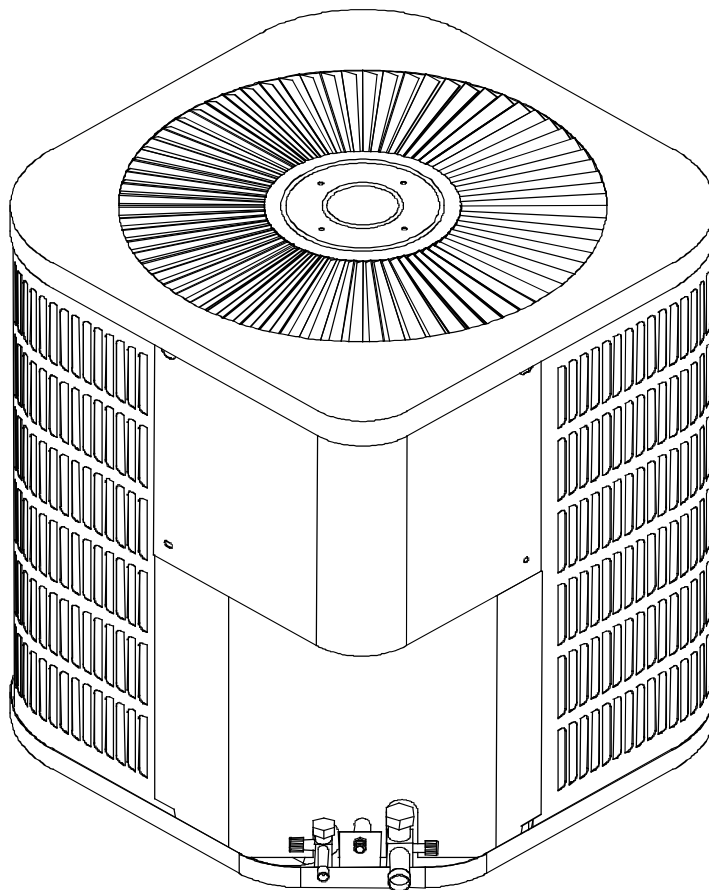


REPAIR PARTS

CPLJ*B 12 SEER Condensing Units Gray Painted Cabinet

Models covered
in this manual

CPLJ18-1B
CPLJ24-1B
CPLJ30-1B
CPLJ36-1B
CPLJ42-1B
CPLJ48-1B
CPLJ60-1B



Made in the USA by:
Goodman Manufacturing Company, L.P.
2550 North Loop West, Suite 400
Houston Texas 77092

RP - 318A
August 2005

This manual is to be used by qualified technicians only.

www.goodmanmfg.com

This manual replaces RP-318.

Copyright ©2004-2005 Goodman Manufacturing Company, L.P

Important Information

Goodman Manufacturing Company, L.P. is not responsible for personal injury or property damage resulting from improper service. Review all service information before beginning repairs.

Warranty service must be performed by an authorized technician, using authorized factory parts. If service is required after the warranty expires, Goodman Manufacturing Company, L.P. also recommends contacting an authorized technician and using authorized factory parts.

Goodman Manufacturing Company, L.P., reserves the right to discontinue, or change at any time, specifications or designs without notice or without incurring obligations. Goodman® brand products are made proudly in the USA.

For assistance within the U.S.A. contact:

Consumer Affairs Department
Goodman Manufacturing Company, L.P.
7401 Security Way
Houston, Texas 77040
877-254-4729-Telephone
713-863-2382-Facsimile

For assistance outside the U.S.A. contact:

International Division
Goodman Manufacturing Company, L.P.
7401 Security Way
Houston, Texas 77040
713-861-2500-Telephone
713-863-2382-Facsimile

Index

Functional Parts List	4 - 5
Illustration and Parts	6 - 11

Views shown are for parts illustrations only, not servicing procedures.

Rev. A: corrected coil part numbers for CPLJ18-1B and CPLJ24-1B.

Text Codes:

AR - As Required

NA - Not Available

NS - Not Shown

00000000 - See Note

QTY - Quantity Example (QTY 3) (If Quantity not shown, Quantity = 1)

M - Model Example (M1) (If M Code not shown, then part is used on all Models)

Expanded Model Nomenclature:

Example M1 - Model#1 M2 - Model#2 M3 - Model#3

Functional Parts

Part

No: Description:

B94576000	CAPACITOR, 25/5/370 (M1)
B94578700	CAPACITOR, 30/5/370 (M2)
B94577200	CAPACITOR, 45/5/370 (M3, M4)
B94577400	CAPACITOR, 50/5/370 (M5)
B94577500	CAPACITOR, 60/5/370 (M6)
B94577600	CAPACITOR, 80/5/370 (M7)
CR16K6PFV960	COMPRESSOR, CR16K6-PFV-260 (M1)
CR20K6PFV960	COMPRESSOR, CR20K6-PFV-260 (M2)
ZR28K3PFV930	COMPRESSOR, ZR28K3-PFV-230 (M3) OLD PN# B9266369
ZR32K3PFV930	COMPRESSOR, ZR32K3-PFV-230 (M4) OLD PN# B9266380
ZR36K3PFV930	COMPRESSOR, ZR36K3-PFV-230 (M5) OLD PN#B9266375
ZR42K3PFV930	COMPRESSOR, ZR42K3-PFV-230 (M6) OLD PN# B9266352
ZR54K3PFV930	COMPRESSOR, ZR54K3-PFV-230 (M7) OLD PN# B9266349
1262241	CRATED COND. SERVICE COIL W/DRIER (M1)
1262236	CRATED COND. SERVICE COIL W/DRIER (M3)
1262218	CRATED COND. SERVICE COIL W/DRIER (M4)
1262226	CRATED COND. SERVICE COIL W/DRIER (M5, M6)
1262230	CRATED COND. SERVICE COIL W/DRIER (M7)
1262242	CRATED COND. SERVICE COIL W/DRIER (M2)
B1226008	DEFROST TIMER CONTROL
B1086771	FAN, 3 BLADES, 18" DIA., 32°P (M1)
B1086770	FAN, 3 BLADES, 22" DIA., 19°P (M4, M5, M6)
B1086750	FAN, 3 BLADES, 22" DIA., 24°P (M2, M3)
B1086748	FAN, 3 BLADES, 22" DIA., 30°P (M7)
B1219204	FILTER, BI-FLOW, STEEL
B1789878	FLOWCHECK PISTON KIT (M5)
B1789884	FLOWCHECK PISTON KIT (M6)
B1789868	FLOWCHECK PISTON KIT (M3)
B1789859	FLOWCHECK PISTON KIT (M2)
B1789874	FLOWCHECK PISTON KIT (M4)
B1789855	FLOWCHECK PISTON KIT (M1)
B2114672	FLOWRATOR W/COPPPER & PISTON (M6)
B2114665	FLOWRATOR W/COPPPER & PISTON (M5)
B2114662	FLOWRATOR W/COPPPER & PISTON (M4)
B2114445	FLOWRATOR W/COPPPER & PISTON (M1)
B2114452	FLOWRATOR W/COPPPER & PISTON (M3)
B2114443	FLOWRATOR W/COPPPER & PISTON (M2)
B3118876	FLOWRATOR W/COPPPER & PISTON (M7)
B13400248	MOTOR, CONDENSER, 1/3 HP, 208/230-60-1, 1075 RPM (M7)
B13400247	MOTOR, CONDENSER, 1/4 HP, 208/230-60-1, 1075 RPM (M5, M6)
B13400348	MOTOR, CONDENSER, 1/6 HP, 208/230-60-1, 1075 RPM (M1, M2, M3, M4)
B1225020	SOLENOID COIL CORD
B1360719	SWITCH, LOW PRESSURE
B1370803	THERMOSTAT, DEFROST

Functional Parts

Part

No: **Description:**

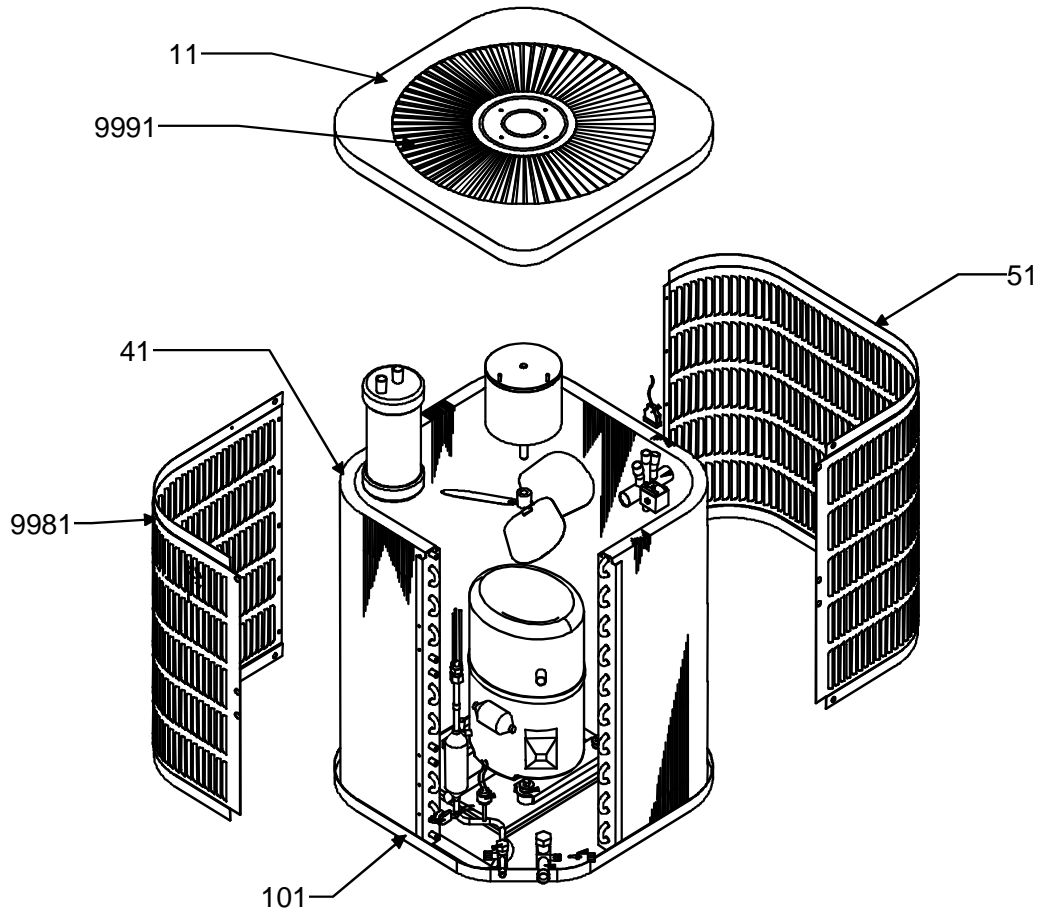
SPECIAL PARTS

IO-103G	I & O MANUAL
RP-318A	REPAIR PARTS MANUAL
B260S8292	SPRAY PAINT, DARK GRAY

Expanded Model Nomenclature

M1 - CPLJ18-1B
M2 - CPLJ24-1B
M3 - CPLJ30-1B
M4 - CPLJ36-1B
M5 - CPLJ42-1B
M6 - CPLJ48-1B
M7 - CPLJ60-1B

Cabinet



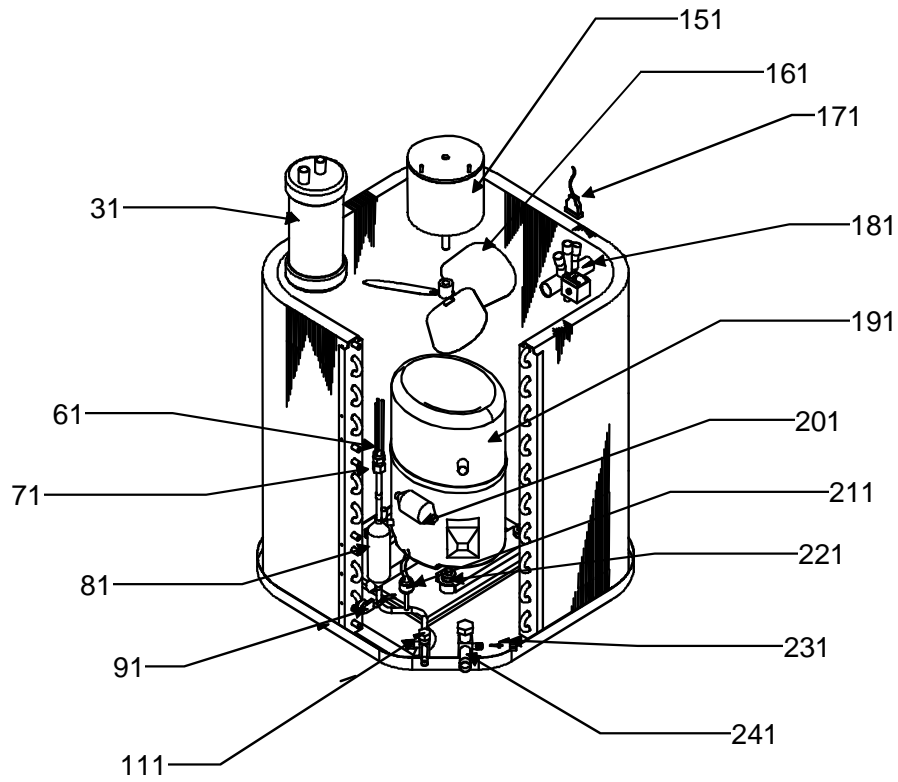
Cabinet

Ref. Part No: No:	Description:	Ref. Part No: No:	Description:
<i>Image 1:</i>			
11 1779405PDG	PANEL, TOP, (LOUVERED) (M1)		
11 1779406PDG	PANEL, TOP, (LOUVERED) (M2, M3, M4, M5, M6)		
11 1779412PDG	PANEL, TOP, (NON-LOUVERED) (M7)		
41 1262218	CRATED COND. SERVICE COIL W/DRIER (M4)		
41 1262226	CRATED COND. SERVICE COIL W/DRIER (M5, M6)		
41 1262230	CRATED COND. SERVICE COIL W/DRIER (M7)		
41 1262236	CRATED COND. SERVICE COIL W/DRIER (M3)		
41 1262241	CRATED COND. SERVICE COIL W/DRIER (M1)		
41 1262242	CRATED COND. SERVICE COIL W/DRIER (M2)		
51 1259554PDG	PANEL, LOUVERED, HAIRPIN SIDE (M1)		
51 1259561PDG	PANEL, LOUVERED, HAIRPIN SIDE (M4)		
51 1259562PDG	PANEL, LOUVERED, HAIRPIN SIDE (M5, M6)		
51 1259563PDG	PANEL, LOUVERED, HAIRPIN SIDE (M7)		
51 1259568PDG	PANEL, LOUVERED, HAIRPIN SIDE (M2, M3)		
101 1787212PDG	PAN, BOTTOM, (LARGE) (M2, M3, M4, M5, M6, M7)		
101 1787211PDG	PAN, BOTTOM, (SMALL) (M1)		
9981 1259559PDG	PANEL, LOUVERED, RETURN SIDE (M1)		
9981 1259565PDG	PANEL, LOUVERED, RETURN SIDE (M4)		
9981 1259566PDG	PANEL, LOUVERED, RETURN SIDE (M5, M6)		
9981 1259567PDG	PANEL, LOUVERED, RETURN SIDE (M7)		
9981 1259571PDG	PANEL, LOUVERED, RETURN SIDE (M2, M3)		
9991 B1376923	FAN GRILL GUARD (M7)		

Expanded Model Nomenclature

M1 - CPLJ18-1B
M2 - CPLJ24-1B
M3 - CPLJ30-1B
M4 - CPLJ36-1B
M5 - CPLJ42-1B
M6 - CPLJ48-1B
M7 - CPLJ60-1B

Internal Components

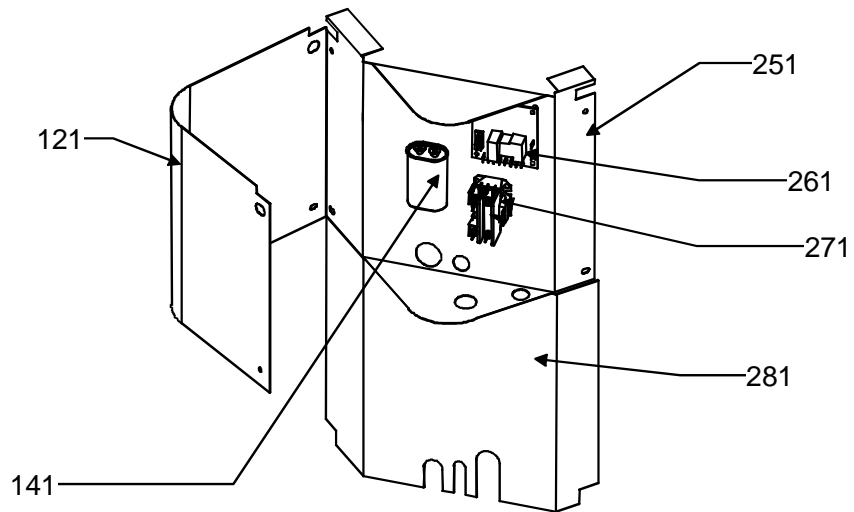


NOTE: CPLE60-1B DOES NOT HAVE A PISTON KIT

Internal Components

Ref. Part No:	No:	Description:	Ref. Part No:	No:	Description:
<i>Image 1:</i>			Expanded Model Nomenclature		
31	B1226206	ACCUMULATOR (3/4" O.D.) (M2, M3, M4)	M1	-	CPLJ18-1B
31	B1226205	ACCUMULATOR (5/8" O.D.) (M1)	M2	-	CPLJ24-1B
31	B1226207	ACCUMULATOR (7/8" O.D.) (M5, M6, M7)	M3	-	CPLJ30-1B
61	B2114443	FLOWRATOR W/COPPPER & PISTON (M2)	M4	-	CPLJ36-1B
61	B2114445	FLOWRATOR W/COPPPER & PISTON (M1)	M5	-	CPLJ42-1B
61	B2114452	FLOWRATOR W/COPPPER & PISTON (M3)	M6	-	CPLJ48-1B
61	B2114662	FLOWRATOR W/COPPPER & PISTON (M4)	M7	-	CPLJ60-1B
61	B2114665	FLOWRATOR W/COPPPER & PISTON (M5)			
61	B2114672	FLOWRATOR W/COPPPER & PISTON (M6)			
61	B3118876	FLOWRATOR W/COPPPER & PISTON (M7)			
71	B1789855	FLOWCHECK PISTON KIT (M1)			
71	B1789859	FLOWCHECK PISTON KIT (M2)			
71	B1789868	FLOWCHECK PISTON KIT (M3)			
71	B1789874	FLOWCHECK PISTON KIT (M4)			
71	B1789878	FLOWCHECK PISTON KIT (M5)			
71	B1789884	FLOWCHECK PISTON KIT (M6)			
81	B1219204	FILTER, BI-FLOW, STEEL			
91	B1370803	THERMOSTAT, DEFROST			
111	B12825171	BASE VALVE, LIQUID LINE 3/8" X 5/16"			
151	B13400248	MOTOR, CONDENSER, 1/3 HP, 208/230-60-1, 1075 RPM (M7)			
151	B13400247	MOTOR, CONDENSER, 1/4 HP, 208/230-60-1, 1075 RPM (M5, M6)			
151	B13400348	MOTOR, CONDENSER, 1/6 HP, 208/230-60-1, 1075 RPM (M1, M2, M3, M4)			
161	B1086771	FAN, 3 BLADES, 18" DIA., 32°P (M1)			
161	B1086770	FAN, 3 BLADES, 22" DIA., 19°P (M4, M5, M6)			
161	B1086750	FAN, 3 BLADES, 22" DIA., 24°P (M2, M3)			
161	B1086748	FAN, 3 BLADES, 22" DIA., 30°P (M7)			
171	B1225020	SOLENOID COIL CORD			
181	B1227314	VALVE, REVERSING (M1)			
181	B1227316	VALVE, REVERSING (M2, M3, M4)			
181	B1227317	VALVE, REVERSING (M5, M6, M7)			
191	CR16K6PFV960	COMPRESSOR, CR16K6-PFV-260 (M1)			
191	CR20K6PFV960	COMPRESSOR, CR20K6-PFV-260 (M2)			
191	ZR28K3PFV930	COMPRESSOR, ZR28K3-PFV-230 (M3) OLD PN# B9266369			
191	ZR32K3PFV930	COMPRESSOR, ZR32K3-PFV-230 (M4) OLD PN# B9266380			
191	ZR36K3PFV930	COMPRESSOR, ZR36K3-PFV-230 (M5) OLD PN#B9266375			
191	ZR42K3PFV930	COMPRESSOR, ZR42K3-PFV-230 (M6) OLD PN# B9266352			
191	ZR54K3PFV930	COMPRESSOR, ZR54K3-PFV-230 (M7) OLD PN# B9266349			
201	B1219301	MUFFLER, 1/2" X 1/2" (M3, M4, M5, M6, M7)			
201	B1319300	MUFFLER, 3/8" X 3/8" (M1, M2)			
211	B1360719	SWITCH, LOW PRESSURE			
221	B1339530	GROMMET, COMPRESSOR (M1, M2)			
221	B1339533	GROMMET, COMPRESSOR (M3, M4, M5, M6, M7)			
231	B1787000	CORE, VALVE			
241	B12825166	BASE VALVE, SUCTION LINE, 3/4" X 3/4" (M1, M2, M3, M4)			
241	B12825167	BASE VALVE, SUCTION LINE, 7/8" X 7/8" (M5, M6, M7)			

Control



Control

Ref. Part No: No:	Description:	Ref. Part No: No:	Description:
-------------------	--------------	-------------------	--------------

Image 1:

121 1787624PDG	CONTROL BOX COVER
141 B94576000	CAPACITOR, 25/5/370 (M1)
141 B94578700	CAPACITOR, 30/5/370 (M2)
141 B94577200	CAPACITOR, 45/5/370 (M3, M4)
141 B94577400	CAPACITOR, 50/5/370 (M5)
141 B94577500	CAPACITOR, 60/5/370 (M6)
141 B94577600	CAPACITOR, 80/5/370 (M7)
251 1787623	CONTROL BOX
261 B1226008	DEFROST TIMER CONTROL
271 B1360321	CONTACTOR, 25 AMP, 1 POLE (M1, M2, M3, M4, M5)
271 B1360324	CONTACTOR, 30 AMP, 1 POLE (M6)
271 B1360305	CONTACTOR, 40 AMP, 2 POLE (M7)
281 1787708PDG	PANEL, ACCESS, 27.5" (M2, M3)
281 1787709PDG	PANEL, ACCESS, 30.0" (M4)
281 1787710PDG	PANEL, ACCESS, 32.0" (M1)
281 1787717PDG	PANEL, ACCESS, 37.5" (M5, M6)
281 1787718PDG	PANEL, ACCESS, 40.0" (M7)
NS B260S8292	SPRAY PAINT, DARK GRAY

Expanded Model Nomenclature

M1 - CPLJ18-1B
M2 - CPLJ24-1B
M3 - CPLJ30-1B
M4 - CPLJ36-1B
M5 - CPLJ42-1B
M6 - CPLJ48-1B
M7 - CPLJ60-1B