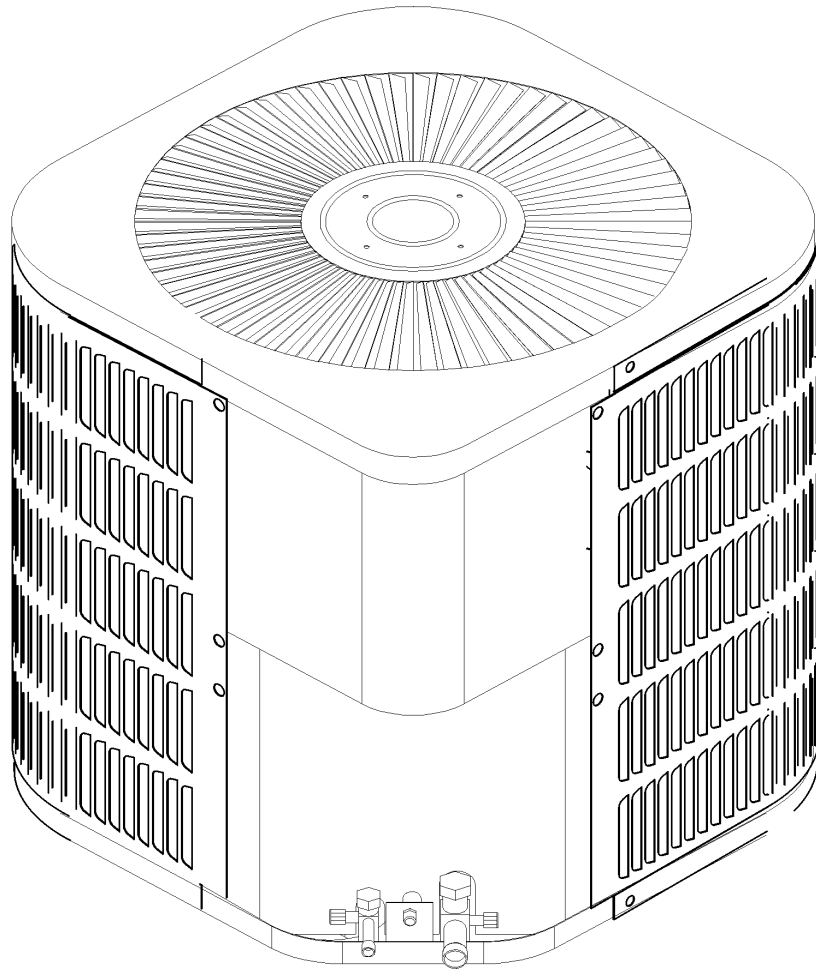


REPAIR PARTS

CPKF 50Hz Heat Pumps

CPKF24-2L
CPKF24-2LA
CPKF36-2PB
CPKF36-2L
CPKF36-2LA
CPKF36-5PB
CPKF36-5L
CPKF36-5LA
CPKF42-5L
CPKF42-5LA
CPKF48-2L
CPKF48-2LA
CPKF48-5PB
CPKF48-5L
CPKF48-5LA
CPKF60-5L
CPKF60-5LA
CPKF61-5PA
CPKF61-5L
CPKF61-5LA



This manual is to be used by qualified technicians only.

This manual replaces RP-207M.

© 2009,2012 Goodman Manufacturing Company, L.P. ♦ 5151 San Felipe, Suite 500 ♦ Houston, TX 77056

Important Information

Index

Functional Parts List	3
Illustration and Parts	4 - 7

Views shown are for parts illustrations only, not servicing procedures.

Text Codes:

AR - As Required

NA - Not Available

NS - Not Shown

00000000 - See Note

QTY - Quantity Example (QTY 3) (If Quantity not shown, Quantity = 1)

M - Model Example (M1) (If M Code not shown, then part is used on all Models)

Expanded Model Nomenclature:

Example M1 - Model#1 M2 - Model#2 M3 - Model#3

Goodman Manufacturing Company, L.P. is not responsible for personal injury or property damage resulting from improper service. Review all service information before beginning repairs.

Warranty service must be performed by an authorized technician, using authorized factory parts. If service is required after the warranty expires, Goodman Manufacturing Company, L.P. also recommends contacting an authorized technician and using authorized factory parts.

Goodman Manufacturing Company, L.P. reserves the right to discontinue, or change at any time, specifications or designs without notice or without incurring obligations.

For assistance within the U.S.A. contact:
Consumer Affairs Department
Goodman Manufacturing Company, L.P.
7401 Security Way
Houston, Texas 77040
877-254-4729-Telephone
713-863-2382-Facsimile

For assistance outside the U.S.A. contact:
International Division
Goodman Manufacturing Company, L.P.
7401 Security Way
Houston, Texas 77040
713-861-2500-Telephone
713-863-2382-Facsimile

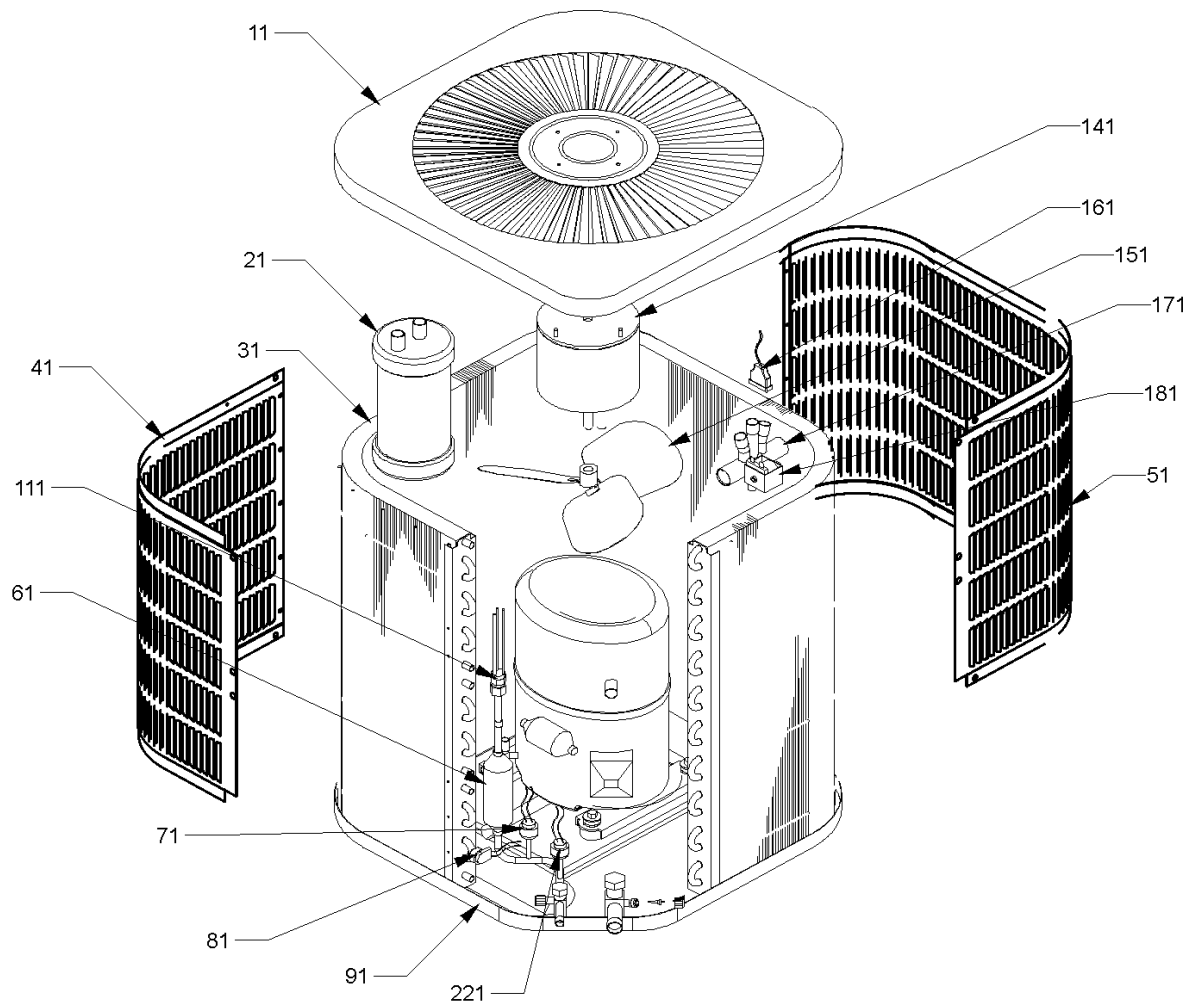
Functional Parts

Part

No: Description:

B1226206	ACCUMULATOR (M3, M6)
B1226205	ACCUMULATOR .625 (M1, M2, M4, M5, M7, M8)
B1226207	ACCUMULATOR .875 (M9, M10, M11, M12, M13, M14, M15, M16, M17, M18, M19, M20)
CAP050000370VAS	CAPACITOR 5/370V (M6, M7, M8, M9, M10, M13, M14, M15, M16, M17, M18, M19, M20)
CAP050400370RSS	CAPACITOR 5/40/370V [CONTROL BOX] (M1)
CAP050400440RTS	CAPACITOR 5/40/440V (M4)
CAP050450370RSS	CAPACITOR 5/45/370V [CONTROL BOX] (M2)
CAP050500440RTS	CAPACITOR 5/50/440V (M3, M5)
CAP050550440RTS	CAPACITOR 5/55/440V (M11, M12)
CR42K6TFD875	COMP, 34800,380/420/50/3 (M6)
CR42K6PFZ875	COMP, 35200,220/240/50/1 (M3)
CR41KQPFT980WB	COMP,32100,220/240/50/1 (M5)
CR47KQTFD980WB	COMP,39700,380/420/50/3 (M10)
CR30K6PFJ960	COMPRESSOR 24300, 220/240/50/1 (M2)
CR28K6PFJ960	COMPRESSOR 28200, 265/60/1 (M1)
CR41KQTFD280AB	COMPRESSOR 34700, 380/420/50/3 (M8)
CRN50500PFV770	COMPRESSOR 50900, 200/50/1 (M12)
CRN50500TFD970	COMPRESSOR 51500, 380/420/5/3 (M16)
CRN50500TFD970	COMPRESSOR 51500, 380/420/5/3 (M17)
ZR57KCTFD930	COMPRESSOR 57500, 380/460/60/3 (M14)
ZR61KCTFD930	COMPRESSOR 62000, 460/60/3 (M15)
ZR61KCTFD930	COMPRESSOR 62000, 460/60/3 (M13)
ZR72KCTFD930	COMPRESSOR 73500, 380/460/60/3 (M20)
ZR81KCTFD930	COMPRESSOR 82000, 460/60/3 (M18)
B13400249S	COND MOTOR 1/3 HP, 460V (M6)
B13400506S	COND MOTOR 1/4 HP, 1 SP, 220/230V, 50HZ (M11, M12)
B13400500S	COND MOTOR 1/4 HP, 220-240V 50HZ (M1, M2, M3, M4, M5)
B13400269S	COND MOTOR 380/460 50/60 CYCLE (M7, M8, M9, M10, M13, M14, M15, M16, M17, M18, M19, M20)
CONT2P025024VS	CONTACTOR 25 AMP, 2P, 24V (M1, M2)
CONT3P025024VS	CONTACTOR 25 AMP, 3P, 24V (M6, M7, M8, M9, M10, M13, M14, M15, M16, M17, M18, M19, M20)
CONT2P030024VS	CONTACTOR 30 AMP, 2P, 24V (M3, M4, M5)
CONT2P040024VS	CONTACTOR 40 AMP, 2P, 24V (M11, M12)
B1360713	CUT-OUT SWITCH, HIGH PRESSURE
B1360719	CUT-OUT SWITCH, LOW PRESSURE
PCBDM101S	DEFROST CONTROL BOARD (M3, M6, M13, M18)
B1370803	DEFROST THERMOSTAT
B1370772	TIME DELAY (ICM) 180 SEC DELAY

Chassis



Chassis

Ref. Part No:	No:	Description:	Ref. Part No:	No:	Description:
<i>Image 1:</i>			<i>Image 1:</i>		
11	0121R00008PDGS	PANEL, TOP 26" PNT (M3, M6)	91	0121R00005PDG	BASE PAN 26" (M1, M2, M3, M4, M5, M6, M7, M8)
11	0121R00010PDGS	PANEL, TOP 29" PNT (M13, M18)	91	0121R00006PDG	BASE PAN 29" (M9, M10, M11, M12, M13, M14, M15, M16, M17, M18, M19, M20)
11	1779405PDG	TOP PANEL (M1, M2, M4, M5, M7, M8)	111	B1789884	FLOW CHECK PISTON KIT .084 (M13)
11	1779615P	TOP PANEL (M9, M10, M11, M12, M14, M15, M16, M17, M19, M20)	111	B1789893	FLOW CHECK PISTON KIT .093 (M18)
21	B1226206	ACCUMULATOR (M3, M6)	111	B1314462	FLOWRATOR .062 (M4, M5, M7, M8)
21	B1226205	ACCUMULATOR .625 (M1, M2, M4, M5, M7, M8)	111	0162M00049	FLOWRATOR .065 (M3, M6)
21	B1226207	ACCUMULATOR .875 (M9, M10, M11, M12, M13, M14, M15, M16, M17, M18, M19, M20)	111	B2114665	FLOWRATOR .065 [EVAP] (M11, M12)
31	0201R00091S	TUBING ASSY, COND COIL (M3, M6)	111	B2114668	FLOWRATOR .068 [EVAP] (M9, M10)
31	0201R00093	TUBING ASSY, COND COIL (M18)	111	B2114674	FLOWRATOR .074 (M16, M17)
31	0201R00101	TUBING ASSY, COND COIL (M13)	111	B2114676	FLOWRATOR .076 (M14, M15)
31	122246	TUBING ASSY, COND COIL (M5, M8)	111	B1314380	FLOWRATOR .080 (M1, M2)
31	1260837A	TUBING ASSY, COND COIL (M16, M19)	111	B2114680	FLOWRATOR .080 (M19, M20)
31	1262207	TUBING ASSY, COND COIL (M4, M7)	141	B13400249S	COND MOTOR 1/3 HP, 460V (M6)
31	1262221	TUBING ASSY, COND COIL (M8, M11, M14)	141	B13400506S	COND MOTOR 1/4 HP, 1 SP, 220/230V, 50HZ (M11, M12)
31	1262235	TUBING ASSY, COND COIL (M1)	141	B13400500S	COND MOTOR 1/4 HP, 220-240V 50HZ (M1, M2, M3, M4, M5)
31	1262237	TUBING ASSY, COND COIL (M20)	141	B13400269S	COND MOTOR 380/460 50/60 CYCLE (M7, M8, M9, M10, M13, M14, M15, M16, M17, M18, M19, M20)
31	1262244	TUBING ASSY, COND COIL (M12, M15)	151	B1086771S	FAN BLADE 18", X-SERIES (M1, M2, M4, M5, M7, M8)
31	1262245	TUBING ASSY, COND COIL (M2)	151	0150M00004	FAN BLADE 20" (M6)
31	1700556A	TUBING ASSY, COND COIL (M17)	151	0150M00018S	FAN BLADE 20" (M3)
31	1700557A	TUBING ASSY, COND COIL (M10)	151	B1086770S	FAN BLADE 22", 3 BLADE, 19° (M11, M12)
41	1259556PDG	LOUVERED PANEL, RETURN SIDE (M1, M2)	151	B1086750S	FAN BLADE 22", 3 BLADE, 24° (M16, M17, M19, M20)
41	1259558PDG	LOUVERED PANEL, RETURN SIDE (M4, M5, M7, M8, M10, M12, M15)	151	B1086748S	FAN BLADE 22", 3 BLADE, 30° (M13, M18)
41	1259565PDG	LOUVERED PANEL, RETURN SIDE (M9, M11, M14)	161	B1225020	SOLENOID COIL CORD W/1/4" TERMINAL
41	1259566PDG	LOUVERED PANEL, RETURN SIDE (M16, M17, M19, M20)	171	0151M00018S	REVERSING VALVE (M3, M6)
41	0121R00030PDGB	LOUVERED SIDE PANEL (M13)	171	0151M00020S	REVERSING VALVE (M9, M10, M11, M12, M13, M14, M15, M16, M17, M18, M19, M20)
41	0121R00033PDGBS	LOUVERED SIDE PANEL (M18)	171	B1227303	REVERSING VALVE (M4, M7)
41	0121R00015PDGB	LOUVERED SIDE PANEL [LT OF CNTL PNL] (M3, M6)	171	B1227314S	REVERSING VALVE (M1)
41	0121R00024PDGB	LOUVERED SIDE PANEL [LT OF CNTL PNL] (M13)	171	B1227315S	REVERSING VALVE (M5, M8)
41	0121R00027PDGBS	LOUVERED SIDE PANEL [LT OF CNTL PNL] (M18)	181	B1225017	SOLENOID COIL
51	1259551PDG	LOUVERED PANEL, HAIRPIN SIDE (M1, M2)	221	B1360713	CUT-OUT SWITCH, HIGH PRESSURE
51	1259561PDG	LOUVERED PANEL, HAIRPIN SIDE (M9, M11, M14)	NS	B1783803	ACORN NUT 5/16 HEX YELLOW ZINC (M1, M2, M4, M5, M7, M8, M9, M10, M11, M12, M14, M15, M16, M17, M19, M20)
51	1259562PDG	LOUVERED PANEL, HAIRPIN SIDE (M16, M17, M19, M20)	NS	0161R00001P	CONDUIT (M3, M6)
51	1259553PDG	LOUVERED PANEL, HAIRPIN SIDE - OBSOLETE (M4, M5, M7, M8, M10, M12, M15)	NS	0161R00003P	CONDUIT (M13, M18)
51	0121R00021PDG	LOUVERED SIDE PANEL [RT OF CNTL PNL] (M3, M6)	NS	17788000062	PVC CONDUIT 11.0" LRG (M9, M10, M11, M12, M14, M15, M16, M17, M19, M20)
51	0121R00036PDG	LOUVERED SIDE PANEL [RT OF CNTL PNL] (M13)	NS	17788000061	PVC CONDUIT 7.5" SML (M1, M2, M4, M5, M7, M8)
51	0121R00039PDGS	LOUVERED SIDE PANEL [RT OF CNTL PNL] (M18)			
61	B1219204	BI-FLOW FILTER DRIER (M1, M2, M4, M5, M7, M8, M9, M10, M11, M12, M14, M15, M16, M17, M19, M20)			
71	B1360719	CUT-OUT SWITCH, LOW PRESSURE			
81	B1370803	DEFROST THERMOSTAT			

Chassis

**Ref. Part
No: No:**

Description:

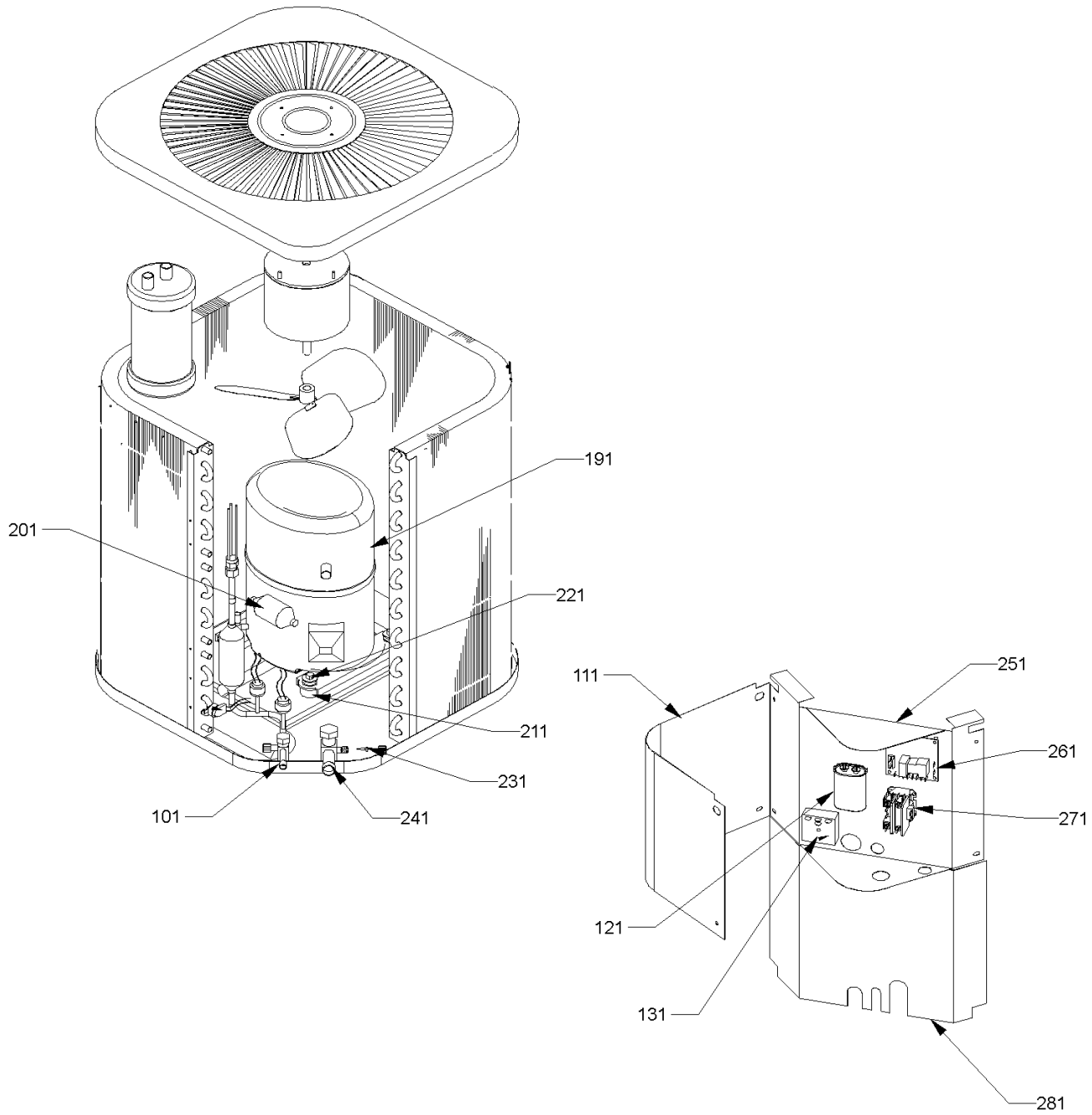
**Ref. Part
No: No:**

Description:

Expanded Model Nomenclature

M1 - CPKF24-2L
M2 - CPKF24-2LA
M3 - CPKF36-2PB
M4 - CPKF36-2L
M5 - CPKF36-2LA
M6 - CPKF36-5PB
M7 - CPKF36-5L
M8 - CPKF36-5LA
M9 - CPKF42-5L
M10 - CPKF42-5LA
M11 - CPKF48-2L
M12 - CPKF48-2LA
M13 - CPKF48-5PB
M14 - CPKF48-5L
M15 - CPKF48-5LA
M16 - CPKF60-5L
M17 - CPKF60-5LA
M18 - CPKF61-5PA
M19 - CPKF61-5L
M20 - CPKF61-5LA

Chassis and Control Panel



Chassis and Control Panel

Ref. Part No:	No:	Description:	Ref. Part No:	No:	Description:																				
<i>Image 1:</i>			<i>Image 1:</i>																						
101	B12825171	3/8" SERVICE VALVE	251	1787623	CONTROL PANEL (M1, M2, M4, M5, M7, M8, M9, M10, M11, M12, M14, M15, M16, M17, M19, M20)																				
111	1787624P	CONTROL BOX COVER (M1, M2, M4, M5, M7, M8, M9, M10, M11, M12, M14, M15, M16, M17, M19, M20)	261	PCBDM101S	DEFROST CONTROL BOARD (M3, M6, M13, M18)																				
111	0121R00053PDG	CONTROL COVER (M3, M6, M13, M18)	261	PCBDM130	DEFROST CONTROL BOARD (M1, M2, M4, M5, M7, M8, M9, M10, M11, M12, M14, M15, M16, M17, M19, M20)																				
121	CAP050000370VAS	CAPACITOR 5/370V (M6, M7, M8, M9, M10, M13, M14, M15, M16, M17, M18, M19, M20)	271	CONT2P025024VS	CONTACTOR 25 AMP, 2P, 24V (M1, M2)																				
121	CAP050400370RSS	CAPACITOR 5/40/370V [CONTROL BOX] (M1)	271	CONT3P025024VS	CONTACTOR 25 AMP, 3P, 24V (M6, M7, M8, M9, M10, M13, M14, M15, M16, M17, M18, M19, M20)																				
121	CAP050400440RTS	CAPACITOR 5/40/440V (M4)	271	CONT2P030024VS	CONTACTOR 30 AMP, 2P, 24V (M3, M4, M5)																				
121	CAP050450370RSS	CAPACITOR 5/45/370V [CONTROL BOX] (M2)	271	CONT2P040024VS	CONTACTOR 40 AMP, 2P, 24V (M11, M12)																				
121	CAP050500440RTS	CAPACITOR 5/50/440V (M3, M5)	281	1787707P	ACCESS PANEL 25" (M1, M2)																				
121	CAP050550440RTS	CAPACITOR 5/55/440V (M11, M12)	281	1787709P	ACCESS PANEL 30" (M3, M4, M5, M6, M7, M8, M9, M10, M11, M12, M13, M14, M15)																				
131	B1370772	TIME DELAY (ICM) 180 SEC DELAY	281	178771P	ACCESS PANEL 37.5" (M16, M17, M18, M19, M20)																				
191	CR42K6TFD875	COMP, 34800,380/420/50/3 (M6)	NS	1287835	CAPACITOR STRAP (M1, M2, M4, M5, M7, M8, M9, M10, M11, M12, M14, M15, M16, M17, M19, M20)																				
191	CR42K6PFZ875	COMP, 35200,220/240/50/1 (M3)	NS	4400065	CAPACITOR STRAP (M3, M6, M13, M18)																				
191	CR41KQPFT980WB	COMP,32100,220/240/50/1 (M5)	NS	B1393701	COMPRESSOR BOLT & SLEEVE ASSY (M1, M2, M4, M5, M7, M8)																				
191	CR47KQTFD980WB	COMP,39700,380/420/50/3 (M10)	Expanded Model Nomenclature																						
191	CR30K6PFJ960	COMPRESSOR 24300, 220/240/50/1 (M2)	<table border="1"> <tr><td>M1 - CPKF24-2L</td></tr> <tr><td>M2 - CPKF24-2LA</td></tr> <tr><td>M3 - CPKF36-2PB</td></tr> <tr><td>M4 - CPKF36-2L</td></tr> <tr><td>M5 - CPKF36-2LA</td></tr> <tr><td>M6 - CPKF36-5PB</td></tr> <tr><td>M7 - CPKF36-5L</td></tr> <tr><td>M8 - CPKF36-5LA</td></tr> <tr><td>M9 - CPKF42-5L</td></tr> <tr><td>M10 - CPKF42-5LA</td></tr> <tr><td>M11 - CPKF48-2L</td></tr> <tr><td>M12 - CPKF48-2LA</td></tr> <tr><td>M13 - CPKF48-5PB</td></tr> <tr><td>M14 - CPKF48-5L</td></tr> <tr><td>M15 - CPKF48-5LA</td></tr> <tr><td>M16 - CPKF60-5L</td></tr> <tr><td>M17 - CPKF60-5LA</td></tr> <tr><td>M18 - CPKF61-5PA</td></tr> <tr><td>M19 - CPKF61-5L</td></tr> <tr><td>M20 - CPKF61-5LA</td></tr> </table>			M1 - CPKF24-2L	M2 - CPKF24-2LA	M3 - CPKF36-2PB	M4 - CPKF36-2L	M5 - CPKF36-2LA	M6 - CPKF36-5PB	M7 - CPKF36-5L	M8 - CPKF36-5LA	M9 - CPKF42-5L	M10 - CPKF42-5LA	M11 - CPKF48-2L	M12 - CPKF48-2LA	M13 - CPKF48-5PB	M14 - CPKF48-5L	M15 - CPKF48-5LA	M16 - CPKF60-5L	M17 - CPKF60-5LA	M18 - CPKF61-5PA	M19 - CPKF61-5L	M20 - CPKF61-5LA
M1 - CPKF24-2L																									
M2 - CPKF24-2LA																									
M3 - CPKF36-2PB																									
M4 - CPKF36-2L																									
M5 - CPKF36-2LA																									
M6 - CPKF36-5PB																									
M7 - CPKF36-5L																									
M8 - CPKF36-5LA																									
M9 - CPKF42-5L																									
M10 - CPKF42-5LA																									
M11 - CPKF48-2L																									
M12 - CPKF48-2LA																									
M13 - CPKF48-5PB																									
M14 - CPKF48-5L																									
M15 - CPKF48-5LA																									
M16 - CPKF60-5L																									
M17 - CPKF60-5LA																									
M18 - CPKF61-5PA																									
M19 - CPKF61-5L																									
M20 - CPKF61-5LA																									
191	CR28K6PFJ960	COMPRESSOR 28200, 265/60/1 (M1)																							
191	CR41KQTFD280AB	COMPRESSOR 34700, 380/420/50/3 (M8)																							
191	CRN50500PFV770	COMPRESSOR 50900, 200/50/1 (M12)																							
191	CRN50500TFD970	COMPRESSOR 51500, 380/420/5/3 (M17)																							
191	CRN50500TFD970	COMPRESSOR 51500, 380/420/5/3 (M16)																							
191	ZR57KCTFD930	COMPRESSOR 57500, 380/460/60/3 (M14)																							
191	ZR61KCTFD930	COMPRESSOR 62000, 460/60/3 (M13)																							
191	ZR61KCTFD930	COMPRESSOR 62000, 460/60/3 (M15)																							
191	ZR72KCTFD930	COMPRESSOR 73500, 380/460/60/3 (M20)																							
191	ZR81KCTFD930	COMPRESSOR 82000, 460/60/3 (M18)																							
191	B9266522S	COMPRESSOR H20R603ABKA (M11)																							
191	B9266866S	COMPRESSOR H20R753DBEA (M19)																							
191	B9266236AS	COMPRESSOR H23A423DBEA (M7)																							
201	B1219301	MUFFLER 1/2 X 1/2 (M3, M4, M5, M6, M7, M8, M9, M10, M11, M12, M13, M14, M15, M16, M17, M18, M19, M20)																							
201	B1219300	MUFFLER 3/8 X 3/8 (M1, M2)																							
211	B1339530	COMPRESSOR GROMMET (M1, M2, M3, M4, M5, M6, M7, M8, M9, M10, M15)																							
211	B1339533	COMPRESSOR GROMMET (M11, M12, M13, M14, M16, M17, M18, M19, M20)																							
221	M0221641	TF SHOULDER SCREW (M3, M6, M9, M10, M11, M12, M13, M14, M15, M16, M17, M18, M19, M20)																							
231	B1787000	VALVE CORE																							
241	B1282566	3/4" SERVICE VALVE (M1, M2, M3, M4, M5, M6, M7, M8)																							
241	B12825167	7/8" SERVICE VALVE (M9, M10, M11, M12, M13, M14, M15, M16, M17, M18, M19, M20)																							
251	0121R00253	CONTROL PANEL (M3)																							
251	0121R00256	CONTROL PANEL (M6, M13, M18)																							