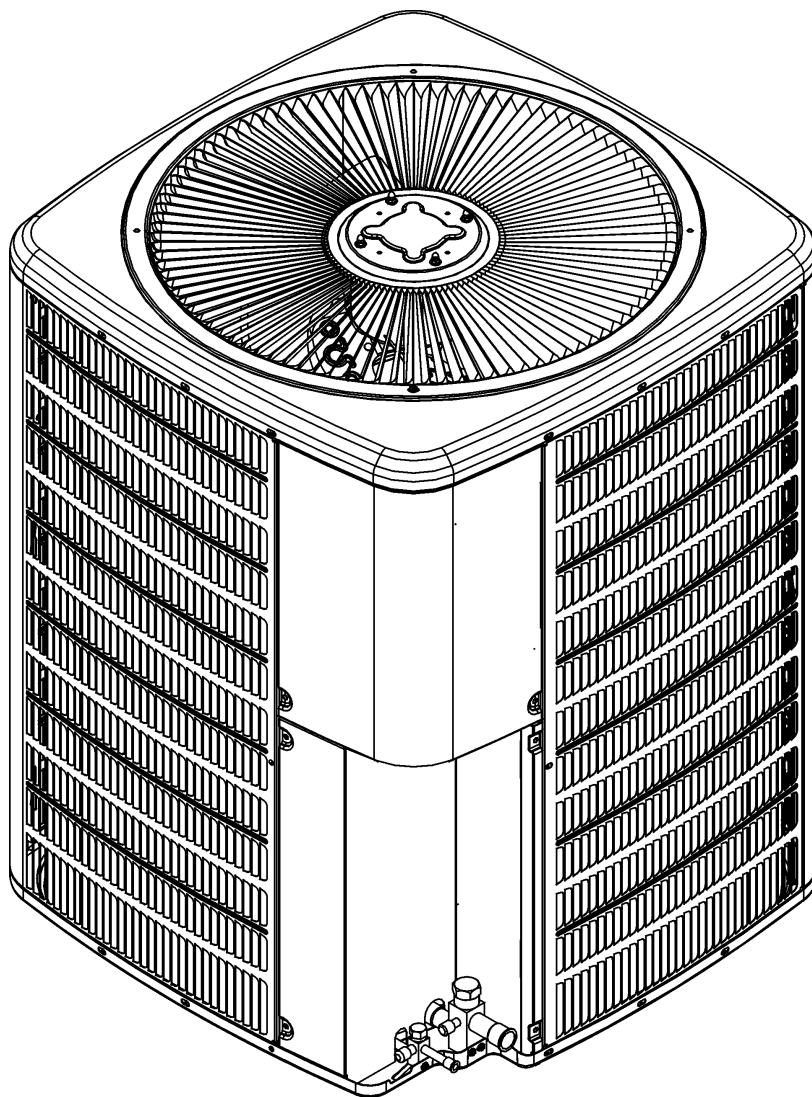


CPKF*** Remote Heat Pump [EXPORT]

CPKF36-2PE

CPKF48-5PE

CPKF61-5PD



This manual is to be used by qualified technicians only.

Important Information

Index

| | |
|------------------------------|-------|
| Functional Parts List | 3 |
| Illustration and Parts | 4 - 9 |

Views shown are for parts illustrations only, not servicing procedures.

Text Codes:

AR - As Required

NA - Not Available

NS - Not Shown

00000000 - See Note

QTY - Quantity Example (QTY 3) (If Quantity not shown, Quantity = 1)

M - Model Example (M1) (If M Code not shown, then part is used on all Models)

Expanded Model Nomenclature:

| |
|---|
| Example M1 - Model#1 M2 - Model#2 M3 - Model#3 |
|---|

Goodman Manufacturing Company, L.P. is not responsible for personal injury or property damage resulting from improper service. Review all service information before beginning repairs.

Warranty service must be performed by an authorized technician, using authorized factory parts. If service is required after the warranty expires, Goodman Manufacturing Company, L.P. also recommends contacting an authorized technician and using authorized factory parts.

Goodman Manufacturing Company, L.P. reserves the right to discontinue, or change at any time, specifications or designs without notice or without incurring obligations.

For assistance within the U.S.A. contact:
Homeowner Support
Goodman Manufacturing Company, L.P.
19001 Kermier Road
Waller, Texas 77484
877-254-4729-Telephone
713-863-2382-Facsimile

For assistance outside the U.S.A. contact:
International Division
Goodman Manufacturing Company, L.P.
19001 Kermier Road
Waller, Texas 77484
713-861-2500-Telephone
713-863-2382-Facsimile

Functional Parts

Part

No: Description:

| | |
|-----------------|---------------------------------------|
| 0130M00025 | 24V RELAY (M2, M3) |
| B1226206 | ACCUMULATOR (M1) |
| B1226207 | ACCUMULATOR .875 (M2, M3) |
| CAP050000370LAE | CAP, 5 MFD/370V/OVAL (M2) |
| CAP050500440CTE | CAP, 5/50 MFD/440V/DUAL RD (M1) |
| CAP050000370LA | CAPACITOR 5/370V (M3) |
| CR42K6PFZ175 | COMP, 35200,220/240/50/1 (M1) |
| ZR81KCTFD622 | COMP, 68000,380/420/50/3 (M3) |
| ZR61K3TFD622 | COMP,50000,380/420/50/3 (M2) |
| B13400249 | COND MOTOR 1/3 HP, 460V (M2, M3) |
| B13400500 | COND MOTOR 1/4 HP, 220-240V 50HZ (M1) |
| CONT3P025024V | CONTACTOR 25 AMP, 3P, 24V (M2, M3) |
| CONT1P030024V | CONTACTOR 30 AMP, 1P, 24V (M1) |
| 0130M00105 | CONTROL, DEFROST |
| PCBDM101 | DEFROST CONTROL BOARD |
| 0150M00001P | FAN BLADE 20 INCH (M1) |
| 0150M00051 | FAN BLADE, 22" (M2, M3) |
| 0130M00083 | REVERSING VALVE HARNESS |
| 0130R00057 | SW-CUTOUT HI PRESS |
| 0130R00058 | SW-CUTOUT LOW PRESS |
| B1370772 | TIME DELAY (ICM) 180 SEC DELAY |

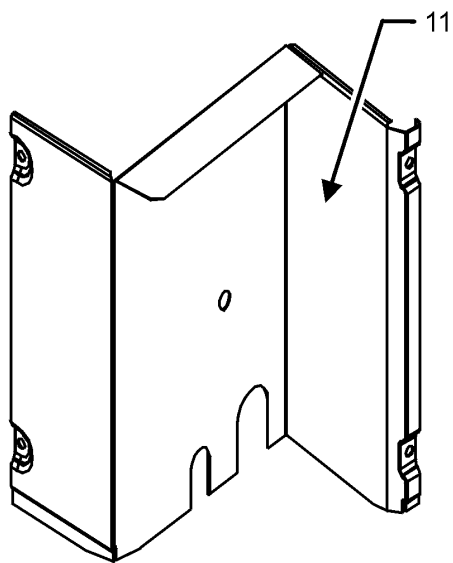
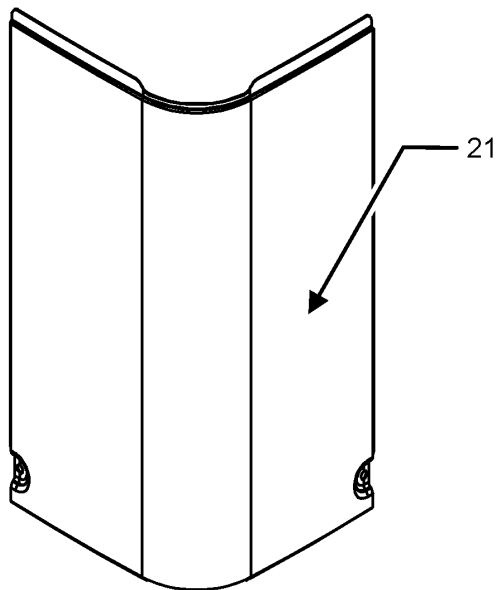
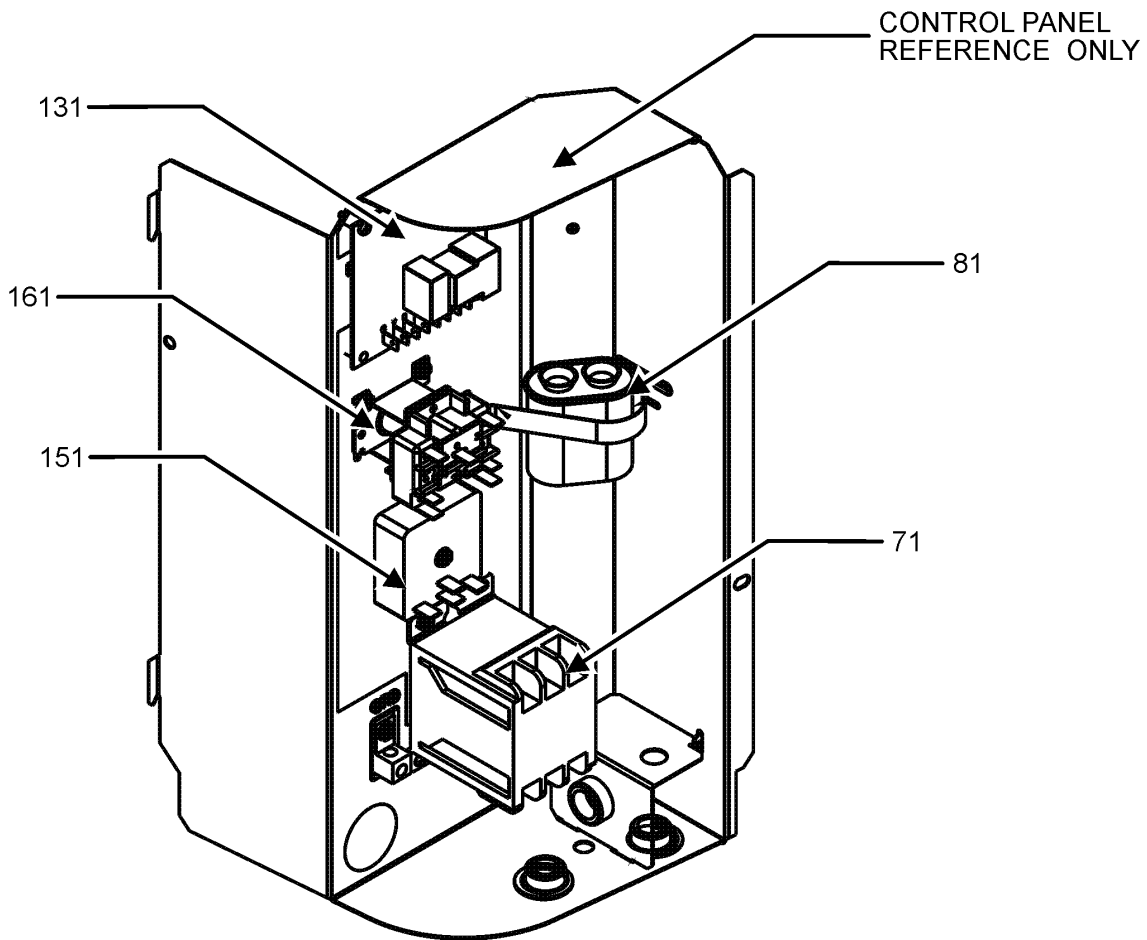
SPECIAL PARTS

0161R00009P NAMEPLATE

Expanded Model Nomenclature

| |
|-----------------|
| M1 - CPKF36-2PE |
| M2 - CPKF48-5PE |
| M3 - CPKF61-5PD |

Control Panel Assembly



UPPER ACCESS COVER

LOWER ACCESS PANEL

Control Panel Assembly

Ref. Part

No: No:

Description:

Ref. Part

No: No:

Description:

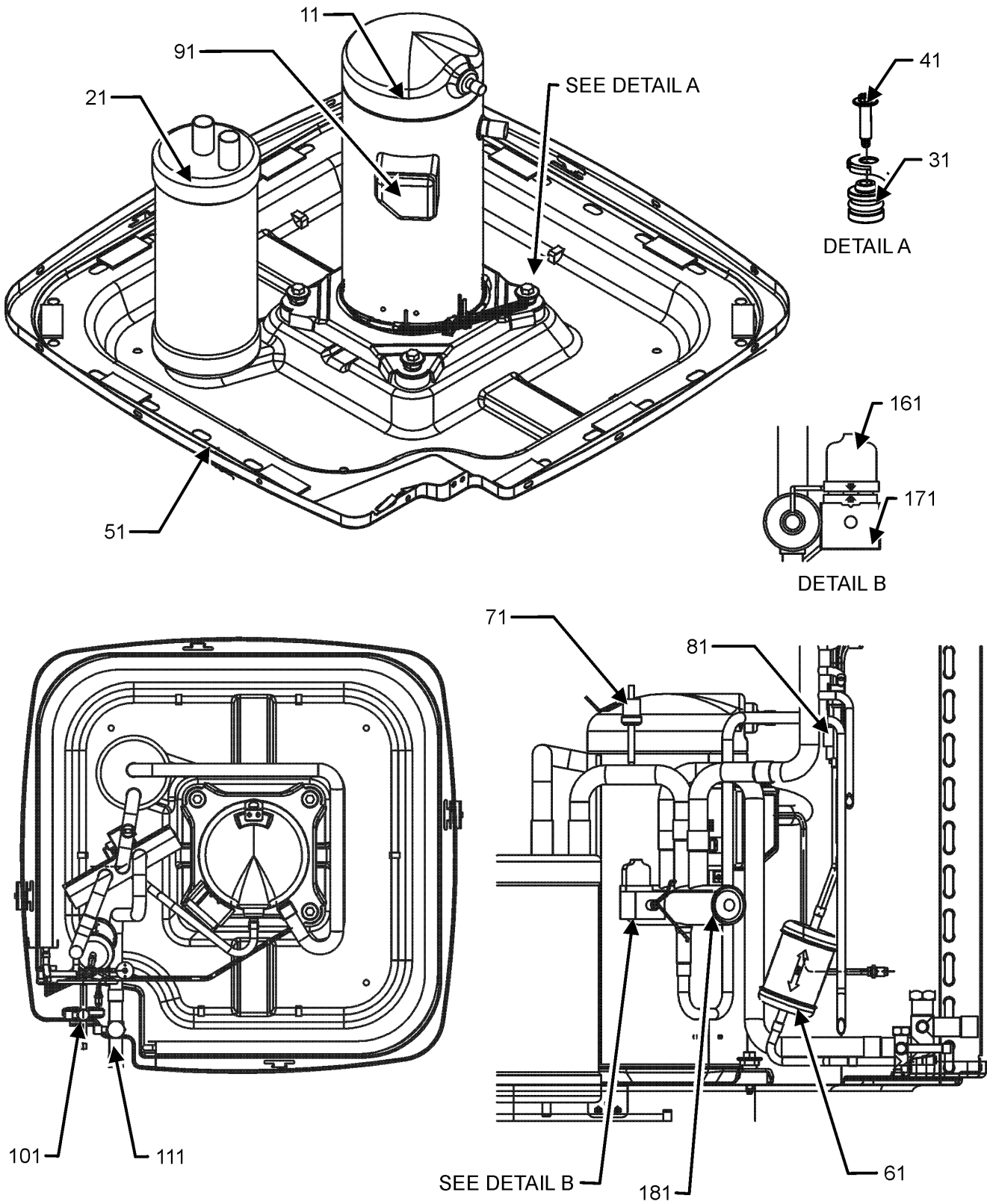
Image 1:

| | | |
|-----|-----------------|------------------------------------|
| 11 | 0121R00318PDG | LOWER ACCESS PANEL (M3) |
| 11 | 0121R00663PDG | LOWER ACCESS PANEL (M1, M2) |
| 21 | 0121R00053PDG | CONTROL COVER |
| 71 | CONT3P025024V | CONTACTOR 25 AMP, 3P, 24V (M2, M3) |
| 71 | CONT1P030024V | CONTACTOR 30 AMP, 1P, 24V (M1) |
| 81 | CAP050000370LAE | CAP, 5 MFD/370V/OVAL (M2) |
| 81 | CAP050500440CTE | CAP, 5/50 MFD/440V/DUAL RD (M1) |
| 81 | CAP050000370LA | CAPACITOR 5/370V (M3) |
| 131 | PCBDM101 | DEFROST CONTROL BOARD |
| 151 | B1370772 | TIME DELAY (ICM) 180 SEC DELAY |
| 161 | 0130M00025 | 24V RELAY (M2, M3) |
| NS | 4400065 | CAPACITOR STRAP |

Expanded Model Nomenclature

| |
|-----------------|
| M1 - CPKF36-2PE |
| M2 - CPKF48-5PE |
| M3 - CPKF61-5PD |

Base Pan and Tubing Assembly



TUBING ASSEMBLY MAY DIFFER FROM WHAT IS SHOWN

Base Pan and Tubing Assembly

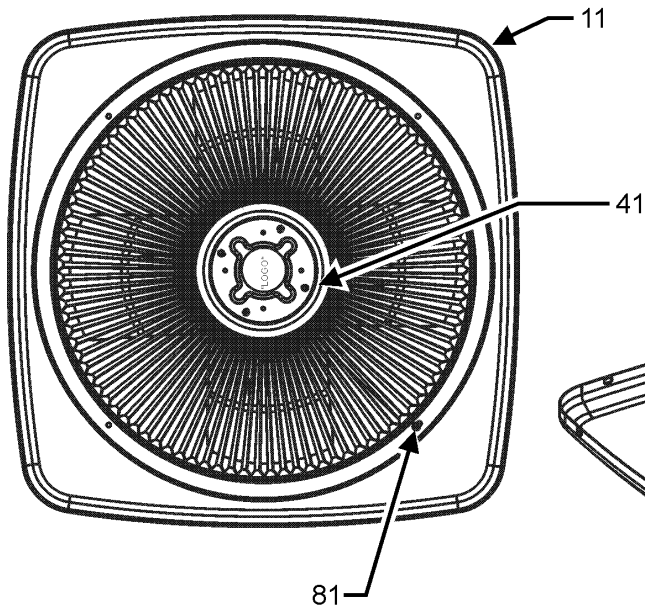
| Ref. Part No: | Description: | Ref. Part No: | Description: |
|-----------------|---------------|---------------|------------------------------------|
| <i>Image 1:</i> | | | |
| 11 | CR42K6PFZ175 | | COMP, 35200,220/240/50/1 (M1) |
| 11 | ZR81KCTFD622 | | COMP, 68000,380/420/50/3 (M3) |
| 11 | ZR61K3TFD622 | | COMP,50000,380/420/50/3 (M2) |
| 21 | B1226206 | | ACCUMULATOR (M1) |
| 21 | B1226207 | | ACCUMULATOR .875 (M2, M3) |
| 31 | B1339530 | | COMPRESSOR GROMMET (M1) |
| 31 | B1339533 | | COMPRESSOR GROMMET (M2, M3) |
| 41 | M0221641 | | TF SHOULDER SCREW (QTY 4) |
| 51 | 0121R00005PDG | | BASE PAN 26" (M1) |
| 51 | 0121R00006PDG | | BASE PAN 29" (M2, M3) |
| 61 | B1219204 | | BI-FLOW FILTER DRIER |
| 71 | 0130R00058 | | SW-CUTOOUT LOW PRESS |
| 81 | 0130R00057 | | SW-CUTOOUT HI PRESS |
| 91 | 0159R00008 | | COMPRESSOR SCROLL HARNESS (M1) |
| 91 | 0159R00009 | | COMPRESSOR SCROLL HARNESS (M2, M3) |
| 101 | 0151R00078 | | BASE VALVE 3/8" |
| 111 | 0151R00079 | | BASE VALVE 3/4" (M1) |
| 111 | 0151R00080 | | BASE VALVE 7/8" (M2, M3) |
| 161 | 0130M00083 | | REVERSING VALVE HARNESS |
| 171 | B1225022 | | SOLENOID COIL |
| 181 | 0151R00068 | | REVERSING VALVE (M1) |
| 181 | 0151R00070 | | REVERSING VALVE (M2, M3) |
| NS | B1789873 | | FLOW CHECK PISTON KIT .073 (M1) |
| NS | B1789884 | | FLOW CHECK PISTON KIT .084 (M2) |
| NS | B1789893 | | FLOW CHECK PISTON KIT .093 (M3) |
| NS | B1219301 | | MUFFLER 1/2 X 1/2 (M1) |
| NS | B1787000 | | VALVE CORE |

Expanded Model Nomenclature

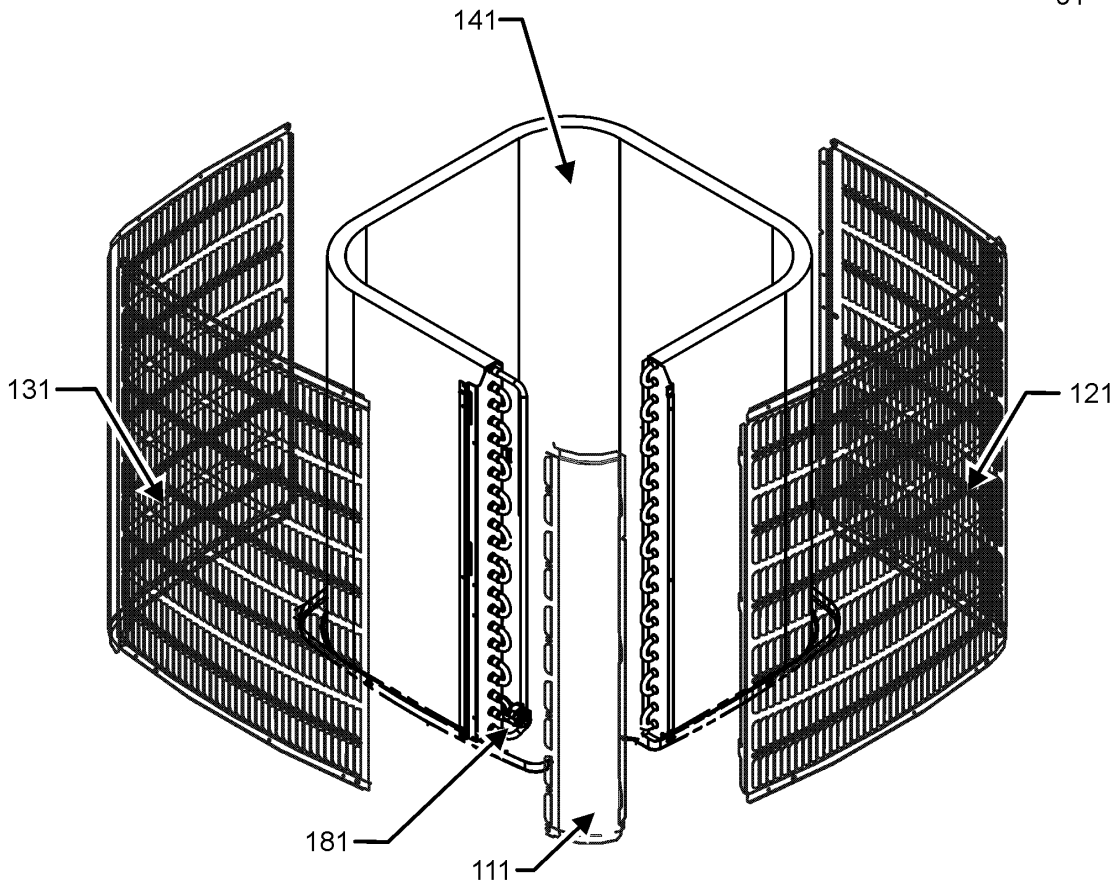
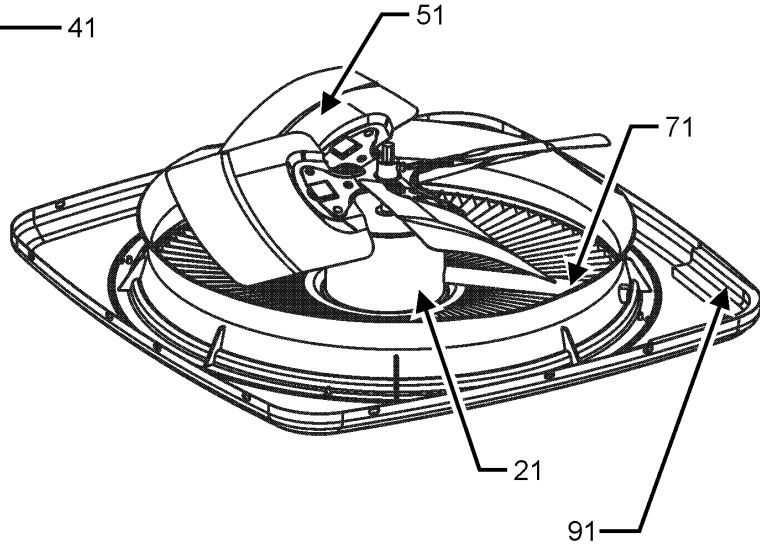
- | |
|-----------------|
| M1 - CPKF36-2PE |
| M2 - CPKF48-5PE |
| M3 - CPKF61-5PD |

Top Panel and Cabinet Assembly

TOP VIEW



BOTTOM VIEW



LOUVER PANEL ASSEMBLY

Top Panel and Cabinet Assembly

| Ref. Part No: | Part No: | Description: | Ref. Part No: | Part No: | Description: |
|---------------|----------|--------------|---------------|----------|--------------|
|---------------|----------|--------------|---------------|----------|--------------|

Image 1:

| | | |
|-----|-----------------|---------------------------------------|
| 11 | 0121R00008PDG | TOP PANEL 26" (M1) |
| 11 | 0121R00010PDG | TOP PANEL 29" (M2, M3) |
| 21 | B13400249 | COND MOTOR 1/3 HP, 460V (M2, M3) |
| 21 | B13400500 | COND MOTOR 1/4 HP, 220-240V 50HZ (M1) |
| 41 | 0163M00006P | ACORN NUT 5/16 HEX BLACK (QTY 4) |
| 51 | 0150M00001P | FAN BLADE 20 INCH (M1) |
| 51 | 0150M00051 | FAN BLADE, 22" (M2, M3) |
| 71 | 0161R00001P | CONDUIT (M1) |
| 81 | 0163M00004 | SCREW #10X3/4", BLACK |
| 91 | 0154R00006 | GASKET, CONTROL PANEL |
| 111 | 0121R00353PDG | LOUVER POST 34.49 (M3) |
| 111 | 0121R00349PDG | Louver Post, PDG 28.49 (M1, M2) |
| 121 | 0121R00345PDGRS | LOUVER PANEL 29" _34.49 (M3) |
| 121 | 0121R00338PDGRS | Louver Panel, PDG 26" _28.49 (M1) |
| 121 | 0121R00341PDGRS | Louver Panel, PDG 29" _28.49 (M2) |
| 131 | 0121R00345PDGLS | LOUVER PANEL 29" _34.49 (M3) |
| 131 | 0121R00338PDGLS | Louver Panel, PDG 26" _28.49 (M1) |
| 131 | 0121R00341PDGLS | Louver Panel, PDG 29" _28.49 (M2) |
| 141 | 0201R00091S | TUBING ASSY, COND COIL (M1) |
| 141 | 0201R00093 | TUBING ASSY, COND COIL (M3) |
| 141 | 0201R00101 | TUBING ASSY, COND COIL (M2) |
| 181 | 0130M00105 | CONTROL, DEFROST |
| NS | 0161R00009P | NAMEPLATE |
| NS | 0163M00005P | WASHER, BLACK (.50 OD .218D) (QTY 4) |

Expanded Model Nomenclature

| |
|-----------------|
| M1 - CPKF36-2PE |
| M2 - CPKF48-5PE |
| M3 - CPKF61-5PD |