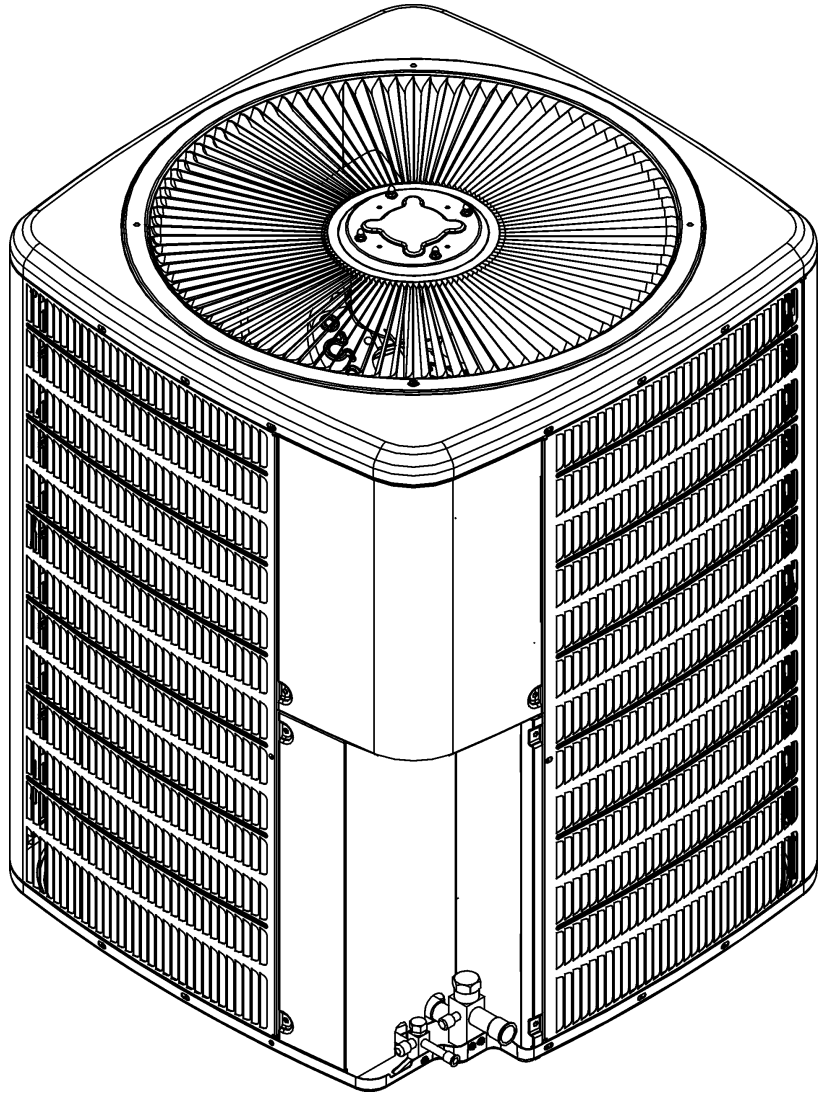


CPKF*** Remote Heat Pump

CPKF36-2PD
CPKF36-5PD
CPKF48-5PD
CPKF60-5PC
CPKF61-5PC



This manual is to be used by qualified technicians only.

© 2016 Goodman Manufacturing Company, L.P. ♦ 5151 San Felipe St., Suite 500 ♦ Houston, TX 77056

Important Information

Index

Functional Parts List	3
Illustration and Parts	4 - 9

Views shown are for parts illustrations only, not servicing procedures.

Text Codes:

AR - As Required

NA - Not Available

NS - Not Shown

00000000 - See Note

QTY - Quantity Example (QTY 3) (If Quantity not shown, Quantity = 1)

M - Model Example (M1) (If M Code not shown, then part is used on all Models)

Expanded Model Nomenclature:

Example M1 - Model#1 M2 - Model#2 M3 - Model#3

Goodman Manufacturing Company, L.P. is not responsible for personal injury or property damage resulting from improper service. Review all service information before beginning repairs.

Warranty service must be performed by an authorized technician, using authorized factory parts. If service is required after the warranty expires, Goodman Manufacturing Company, L.P. also recommends contacting an authorized technician and using authorized factory parts.

Goodman Manufacturing Company, L.P. reserves the right to discontinue, or change at any time, specifications or designs without notice or without incurring obligations.

For assistance within the U.S.A. contact:
Homeowner Support
Goodman Manufacturing Company, L.P.
19001 Kermier Road
Waller, Texas 77484
877-254-4729-Telephone
713-863-2382-Facsimile

For assistance outside the U.S.A. contact:
International Division
Goodman Manufacturing Company, L.P.
19001 Kermier Road
Waller, Texas 77484
713-861-2500-Telephone
713-863-2382-Facsimile

Functional Parts

Part

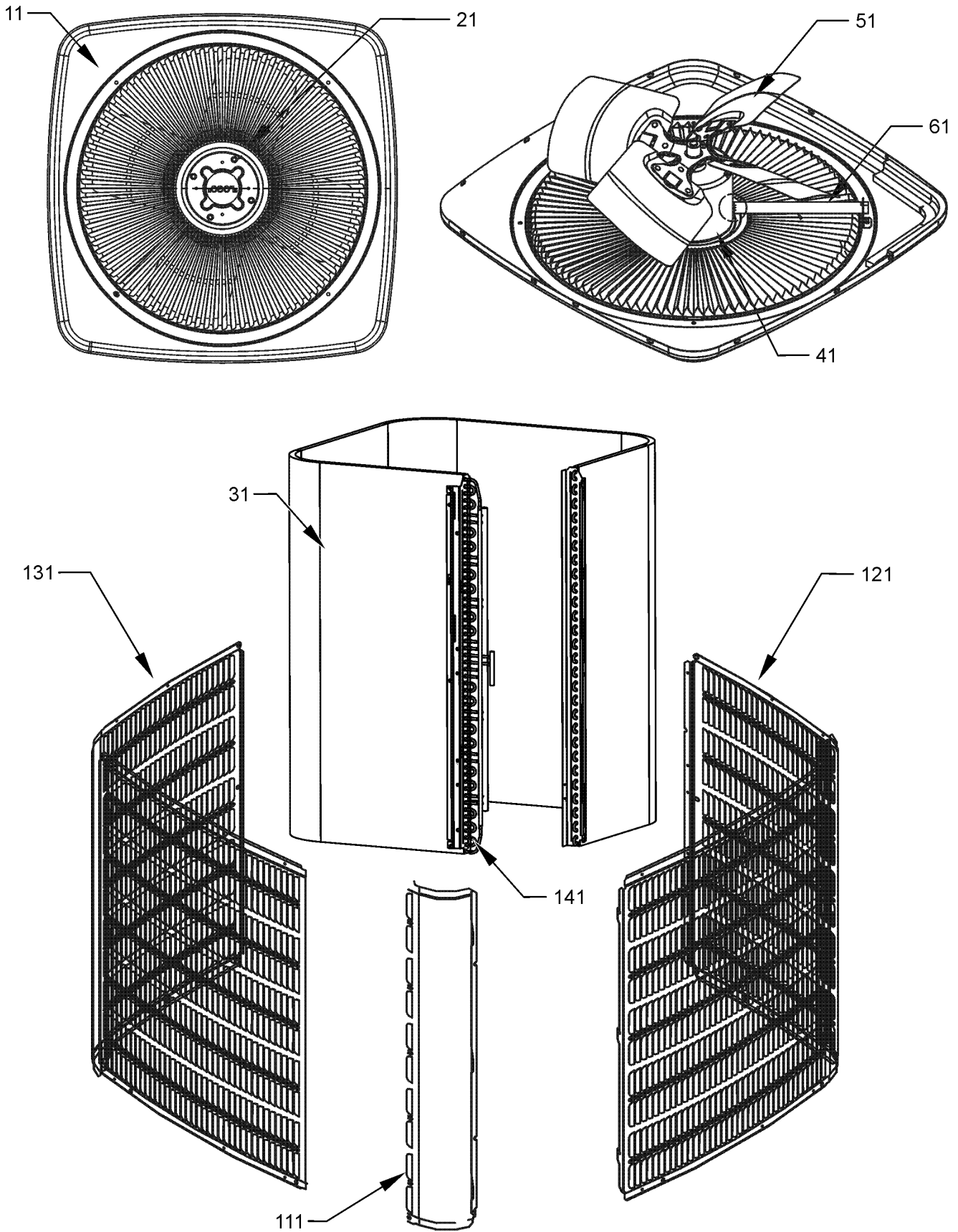
No: Description:

0130M00025	24V RELAY (M2, M3, M4, M5)
B1226206	ACCUMULATOR (M1, M2)
B1226207	ACCUMULATOR .875 (M3, M4, M5)
CAP050500440CT	CAP, 5/50 MFD/440V/DUAL RD (M1)
CAP050000370LA	CAPACITOR 5/370V (M2, M3, M4, M5)
CR42K6TFD175	COMP, 34800,380/420/50/3 (M2)
CR42K6PFZ175	COMP, 35200,220/240/50/1 (M1)
ZR81KCTFD622	COMP, 68000,380/420/50/3 (M5)
ZR61K3TFD622	COMP,50000,380/420/50/3 (M3)
ZR72KCTFD622	COMPRESSOR 73500, 380/460/60/3 (M4)
B13400249	COND MOTOR 1/3 HP, 460V (M2, M3, M4, M5)
B13400500	COND MOTOR 1/4 HP, 220-240V 50HZ (M1)
CONT3P025024V	CONTACTOR 25 AMP, 3P, 24V (M2, M3, M4, M5)
CONT1P030024V	CONTACTOR 30 AMP, 1P, 24V (M1)
0130M00105	CONTROL, DEFROST
PCBDM101	DEFROST CONTROL BOARD
0130M00083	REVERSING VALVE HARNESS
0130R00057	SW-CUTOUT HI PRESS
0130R00058	SW-CUTOUT LOW PRESS
B1370772	TIME DELAY (ICM) 180 SEC DELAY

Expanded Model Nomenclature

M1 - CPKF36-2PD
M2 - CPKF36-5PD
M3 - CPKF48-5PD
M4 - CPKF60-5PC
M5 - CPKF61-5PC

Top and Side Panel Assy



Top and Side Panel Assy

Ref. Part No:	Part No:	Description:	Ref. Part No:	Part No:	Description:
---------------	----------	--------------	---------------	----------	--------------

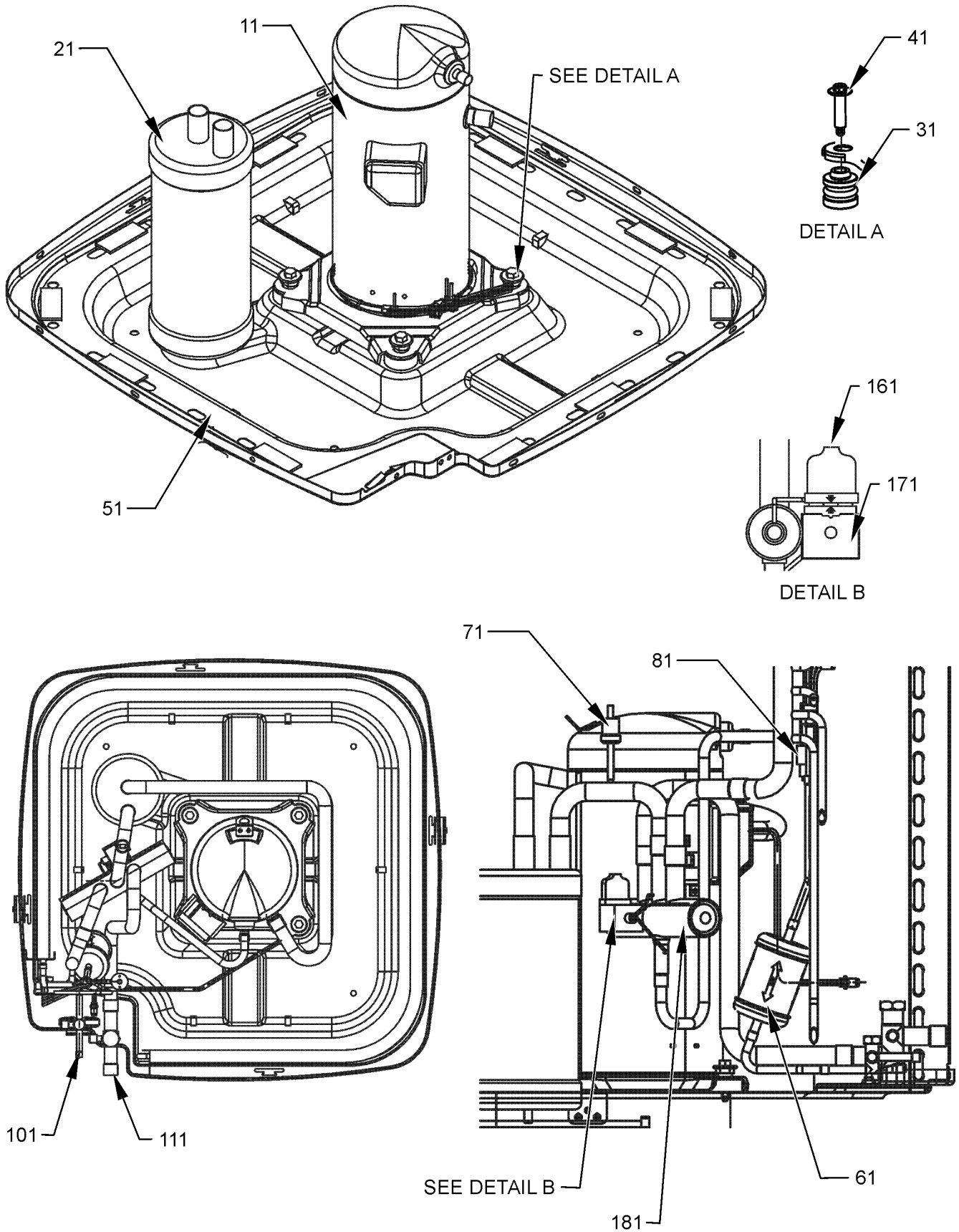
Image 1:

11	0121R00008PDG	TOP PANEL 26" (M1, M2)
11	0121R00010PDG	TOP PANEL 29" (M3, M4, M5)
21	0163M00006P	ACORN NUT 5/16 HEX BLACK (QTY 4)
31	0201R00091S	TUBING ASSY, COND COIL (M1, M2)
31	0201R00092	TUBING ASSY, COND COIL (M4)
31	0201R00093	TUBING ASSY, COND COIL (M5)
31	0201R00101	TUBING ASSY, COND COIL (M3)
41	B13400249	COND MOTOR 1/3 HP, 460V (M2, M3, M4, M5)
41	B13400500	COND MOTOR 1/4 HP, 220-240V 50HZ (M1)
51	0150M00001P	FAN BLADE 20 INCH (M1)
51	0150M00004	FAN BLADE 20" (M2)
51	0150M00051	FAN BLADE, 22" (M3, M4, M5)
61	0161R00001P	CONDUIT (M1, M2)
61	0161R00003P	CONDUIT (M3, M4, M5)
111	0121R00353PDG	LOUVER POST 34.49 (M4, M5)
111	0121R00349PDG	Louver Post, PDG 28.49 (M1, M2, M3)
121	0121R00345PDGRS	LOUVER PANEL 29"_34.49 (M4, M5)
121	0121R00338PDGRS	Louver Panel, PDG 26"_28.49 (M1, M2)
121	0121R00341PDGRS	Louver Panel, PDG 29"_28.49 (M3)
131	0121R00345PDGLS	LOUVER PANEL 29"_34.49 (M4, M5)
131	0121R00338PDGLS	Louver Panel, PDG 26"_28.49 (M1, M2)
131	0121R00341PDGLS	Louver Panel, PDG 29"_28.49 (M3)
141	0130M00105	CONTROL, DEFROST
NS	0154R00006	GASKET, CONTROL PANEL
NS	0163M00005P	WASHER, BLACK (.50 OD .218ID) (QTY 4)

Expanded Model Nomenclature

M1 - CPKF36-2PD
M2 - CPKF36-5PD
M3 - CPKF48-5PD
M4 - CPKF60-5PC
M5 - CPKF61-5PC

Base Pan and Tubing Assy



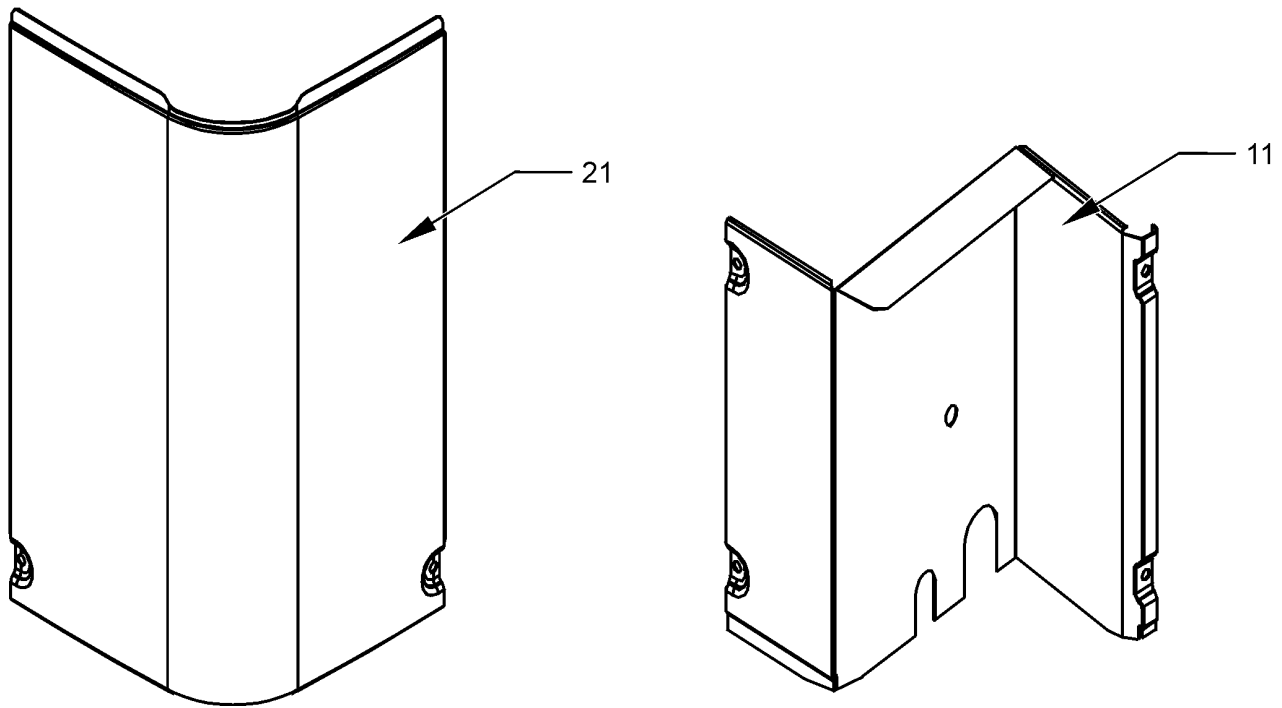
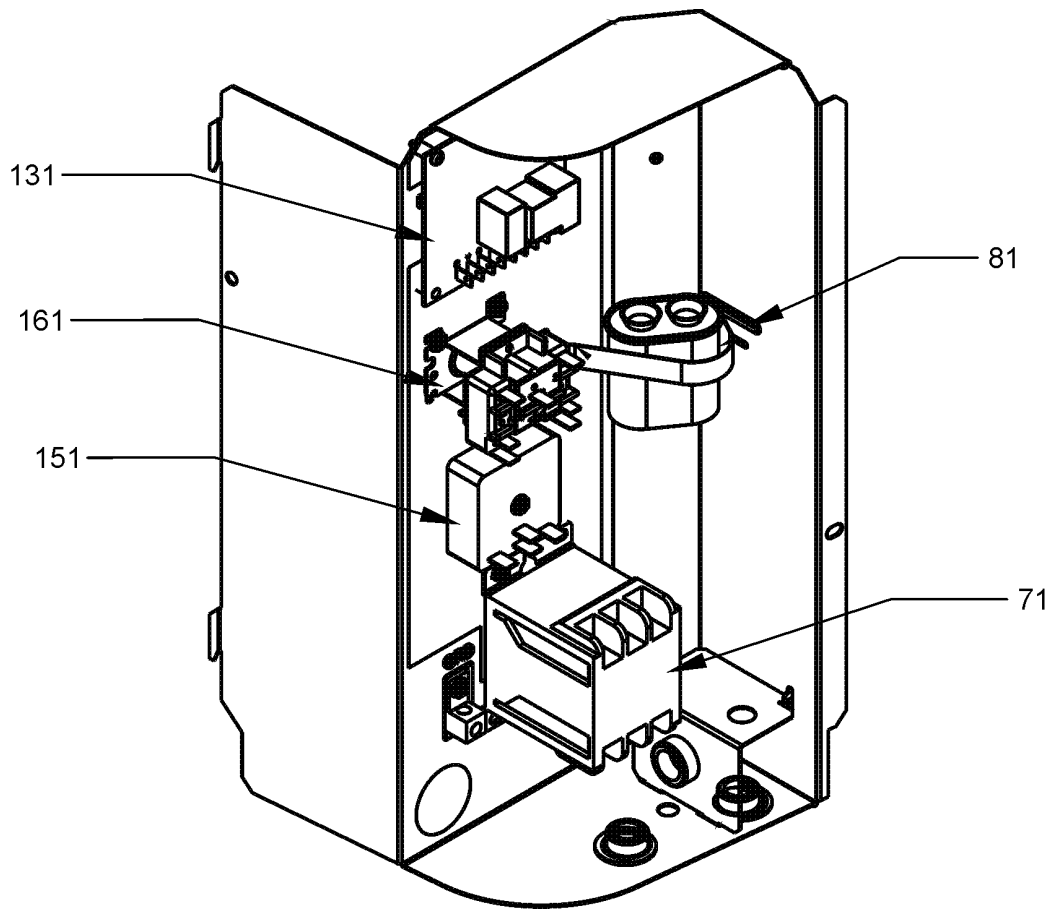
Base Pan and Tubing Assy

Ref. Part No:	Part No:	Description:	Ref. Part No:	Part No:	Description:
<i>Image 1:</i>					
11	CR42K6TFD175	COMP, 34800,380/420/50/3 (M2)			
11	CR42K6PFZ175	COMP, 35200,220/240/50/1 (M1)			
11	ZR81KCTFD622	COMP, 68000,380/420/50/3 (M5)			
11	ZR61K3TFD622	COMP,50000,380/420/50/3 (M3)			
11	ZR72KCTFD622	COMPRESSOR 73500, 380/460/60/3 (M4)			
21	B1226206	ACCUMULATOR (M1, M2)			
21	B1226207	ACCUMULATOR .875 (M3, M4, M5)			
31	B1339530	COMPRESSOR GROMMET (M1, M2)			
31	B1339533	COMPRESSOR GROMMET (M3, M4, M5)			
41	M0221641	TF SHOULDER SCREW (QTY 4)			
51	0121R00005PDG	BASE PAN 26" (M1, M2)			
51	0121R00006PDG	BASE PAN 29" (M3, M4, M5)			
61	B1219204	BI-FLOW FILTER DRIER			
71	0130R00058	SW-CUTOUT LOW PRESS			
81	0130R00057	SW-CUTOUT HI PRESS			
101	0151R00078	BASE VALVE 3/8"			
111	0151R00079	BASE VALVE 3/4" (M1, M2)			
111	0151R00080	BASE VALVE 7/8" (M3, M4, M5)			
161	0130M00083	REVERSING VALVE HARNESS			
171	B1225022	SOLENOID COIL			
181	0151R00068	REVERSING VALVE (M1, M2)			
181	0151R00070	REVERSING VALVE (M3, M4, M5)			
NS	0159R00008	COMPRESSOR SCROLL HARNESS (M1, M2)			
NS	0159R00009	COMPRESSOR SCROLL HARNESS (M3, M4, M5)			
NS	B1789873	FLOW CHECK PISTON KIT .073 (M1, M2)			
NS	B1789884	FLOW CHECK PISTON KIT .084 (M3)			
NS	B1789893	FLOW CHECK PISTON KIT .093 (M4, M5)			
NS	B1219301	MUFFLER 1/2 X 1/2 (M1, M2)			
NS	B1787000	VALVE CORE			

Expanded Model Nomenclature

M1 - CPKF36-2PD
M2 - CPKF36-5PD
M3 - CPKF48-5PD
M4 - CPKF60-5PC
M5 - CPKF61-5PC

Control Box Assy



Control Box Assy

Ref. Part No: No:	Description:	Ref. Part No: No:	Description:
-------------------	--------------	-------------------	--------------

Image 1:

11	0121R00318PDG	LOWER ACCESS PANEL (M4, M5)
11	0121R00663PDG	LOWER ACCESS PANEL (M1, M2, M3)
21	0121R00053PDG	CONTROL COVER
71	CONT3P025024V	CONTACTOR 25 AMP, 3P, 24V (M2, M3, M4, M5)
71	CONT1P030024V	CONTACTOR 30 AMP, 1P, 24V (M1)
81	CAP050500440CT	CAP, 5/50 MFD/440V/DUAL RD (M1)
81	CAP050000370LA	CAPACITOR 5/370V (M2, M3, M4, M5)
131	PCBDM101	DEFROST CONTROL BOARD
151	B1370772	TIME DELAY (ICM) 180 SEC DELAY
161	0130M00025	24V RELAY (M2, M3, M4, M5)
NS	4400065	CAPACITOR STRAP

Expanded Model Nomenclature

M1 - CPKF36-2PD
M2 - CPKF36-5PD
M3 - CPKF48-5PD
M4 - CPKF60-5PC
M5 - CPKF61-5PC