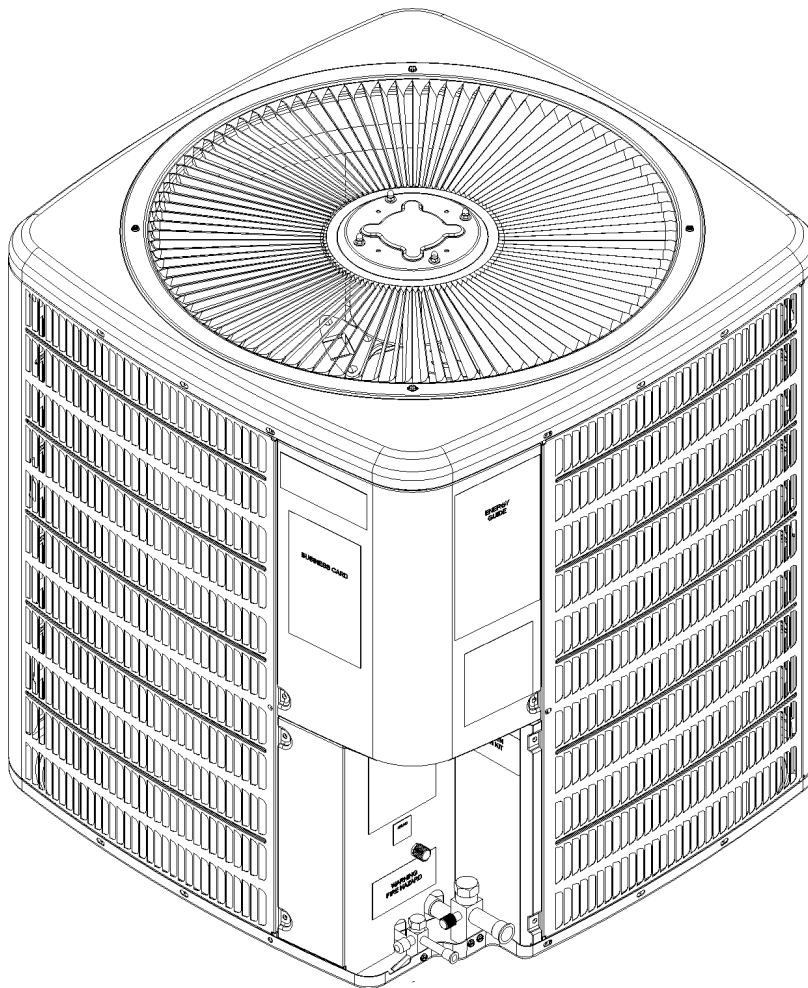


REPAIR PARTS

CPKF 50 HZ "M" Series Remote Heat Pumps

CPKF24-2M
CPKF24-2N
CPKF36-2M
CPKF36-2N
CPKF36-5M
CPKF36-5N
CPKF42-5M
CPKF42-5N
CPKF48-5M
CPKF48-5N
CPKF60-5M
CPKF60-5N
CPKF61-5M
CPKF61-5N



This manual is to be used by qualified technicians only.

This manual replaces RP-427A.

© 2006-2008 Goodman Manufacturing Company, L.P. ♦ 5151 San Felipe, Suite 500 ♦ Houston, TX 77056

Important Information

Index

Functional Parts List	3
Illustration and Parts	4 - 9

Views shown are for parts illustrations only, not servicing procedures.

Rev. B: Changed fan blade part number B10867755S to 0150M0006S for CPKF42-5.

Text Codes:

AR - As Required

NA - Not Available

NS - Not Shown

00000000 - See Note

QTY - Quantity Example (QTY 3) (If Quantity not shown, Quantity = 1)

M - Model Example (M1) (If M Code not shown, then part is used on all Models)

Expanded Model Nomenclature:

Example M1 - Model#1 M2 - Model#2 M3 - Model#3

Goodman Manufacturing Company, L.P. is not responsible for personal injury or property damage resulting from improper service. Review all service information before beginning repairs.

Warranty service must be performed by an authorized technician, using authorized factory parts. If service is required after the warranty expires, Goodman Manufacturing Company, L.P. also recommends contacting an authorized technician and using authorized factory parts.

Goodman Manufacturing Company, L.P. reserves the right to discontinue, or change at any time, specifications or designs without notice or without incurring obligations.

For assistance within the U.S.A. contact:
Consumer Affairs Department
Goodman Manufacturing Company, L.P.
7401 Security Way
Houston, Texas 77040
877-254-4729-Telephone
713-863-2382-Facsimile

For assistance outside the U.S.A. contact:
International Division
Goodman Manufacturing Company, L.P.
7401 Security Way
Houston, Texas 77040
713-861-2500-Telephone
713-863-2382-Facsimile

Functional Parts

Part

No: Description:

Expanded Model Nomenclature

0130M00025S	24V RELAY (M5, M6, M7, M8, M9, M10, M11, M12, M13, M14)
CAP050000370VAS	CAPACITOR 5/370V (M5, M6, M7, M8, M9, M10, M11, M12, M13, M14)
CAP050400440RTS	CAPACITOR 5/40/440V (M1, M2)
CAP050500440RTS	CAPACITOR 5/50/440V (M3, M4)
CR30K6PFJ960	COMPRESSOR 24300, 220/240/50/1 (M2)
CR30KQPFZ280AB	COMPRESSOR 24800, 220/240/50/1 (M1)
CR41KQPFT280AB	COMPRESSOR 32100, 220/240/50/1 (M3, M4)
CR41KQTFD280AB	COMPRESSOR 34700, 380/420/50/3 (M5, M6)
CR47KQTFD280AB	COMPRESSOR 39700, 380/420/50/3 (M7, M8)
ZR61KCTFD930	COMPRESSOR 62000, 460/60/3 (M9, M10)
ZR72KCTFD930	COMPRESSOR 73500, 380/460/60/3 (M11, M12)
ZR81KCTFD930	COMPRESSOR 82000, 460/60/3 (M13, M14)
B13400249S	COND MOTOR 1/3 HP, 460V (M5, M6, M9, M10, M11, M12, M13, M14)
B13400500S	COND MOTOR 1/4 HP, 220-240V 50HZ (M1, M2, M3, M4)
B13400269S	COND MOTOR 380/460 50/60 CYCLE (M7, M8)
CONT3P025024VS	CONTACTOR 25 AMP, 3P, 24V (M5, M6, M7, M8, M9, M10, M11, M12, M13, M14)
CONT1P030024VS	CONTACTOR 30 AMP, 1P, 24V (M3, M4)
CONT2P030024VS	CONTACTOR 30 AMP, 2P, 24V (M1, M2)
B1360713	CUT-OUT SWITCH, HIGH PRESSURE
B1360719	CUT-OUT SWITCH, LOW PRESSURE
PCBDM101S	DEFROST CONTROL BOARD
B1370803	DEFROST THERMOSTAT
B1370772	TIME DELAY (ICM) 180 SEC DELAY

M1 - CPKF24-2M
M2 - CPKF24-2N
M3 - CPKF36-2M
M4 - CPKF36-2N
M5 - CPKF36-5M
M6 - CPKF36-5N
M7 - CPKF42-5M
M8 - CPKF42-5N
M9 - CPKF48-5M
M10 - CPKF48-5N
M11 - CPKF60-5M
M12 - CPKF60-5N
M13 - CPKF61-5M
M14 - CPKF61-5N

SPECIAL PARTS

IO-216	INSTALLATION INSTRUCTIONS (M2, M4, M6, M8, M10, M12, M14)
0161R00009P	NAMEPLATE
RP-427A	REPAIR PARTS MANUAL

Control Cover/Control Panel

Image 1

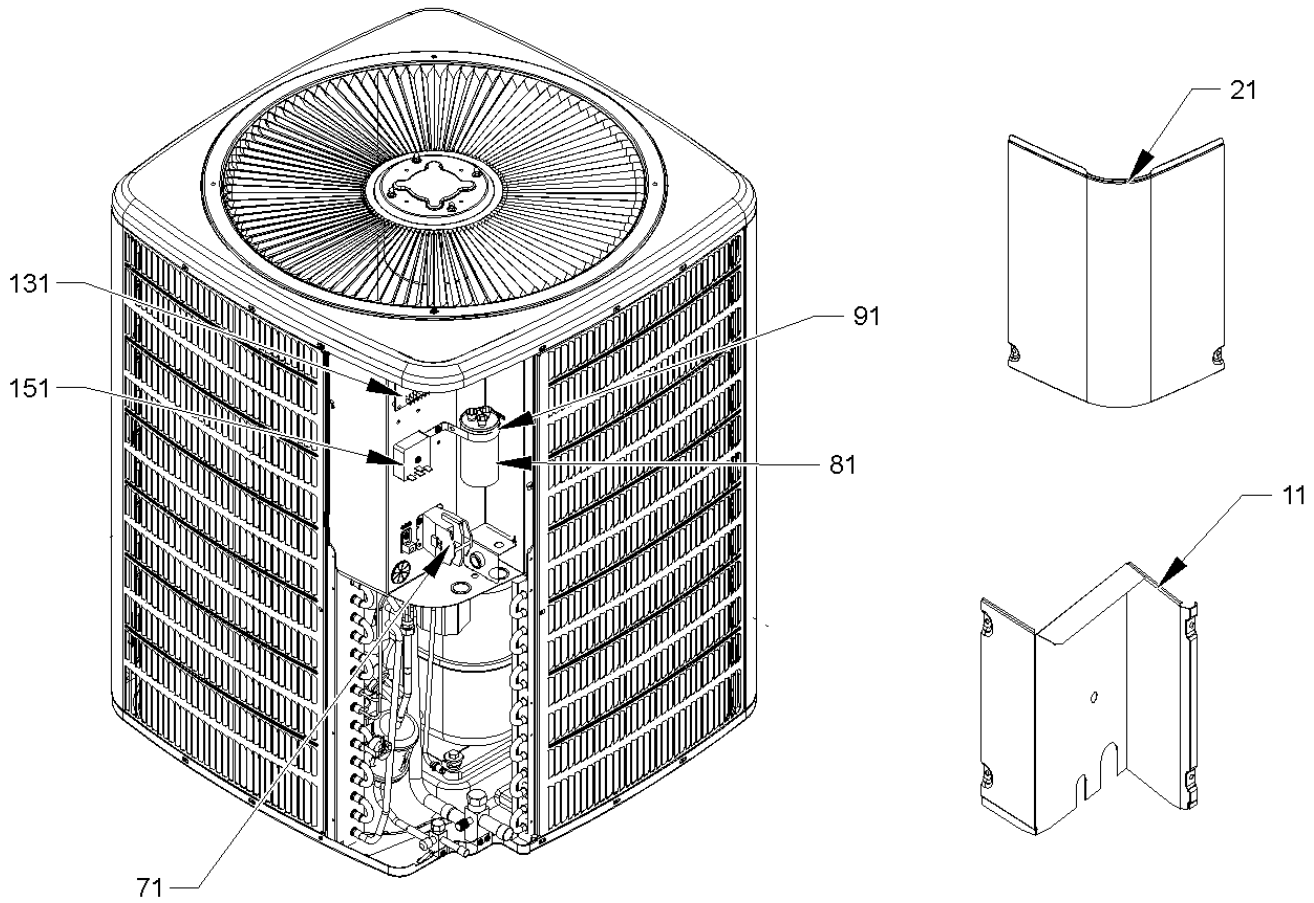
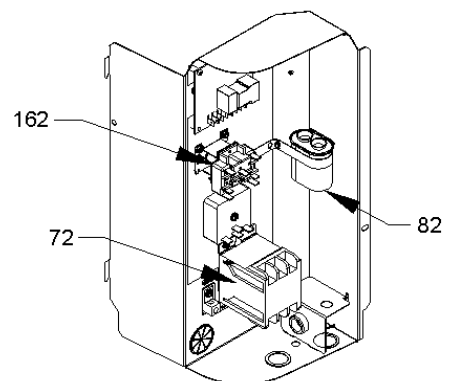


Image 2



Control Cover/Control Panel

Ref. Part No:	No:	Description:	Ref. Part No:	No:	Description:
---------------	-----	--------------	---------------	-----	--------------

Image 1:

11	4400200PDG	LOWER ACCESS PANEL (M1, M2)
11	4400201PDG	LOWER ACCESS PANEL (M3, M4, M5, M6, M7, M8, M9, M10)
11	4400205PDG	LOWER ACCESS PANEL (M11, M12, M13, M14)
21	0121R00053PDG	CONTROL COVER
71	CONT1P030024VS	CONTACTOR 30 AMP, 1P, 24V (M3, M4)
71	CONT2P030024VS	CONTACTOR 30 AMP, 2P, 24V (M1, M2)
81	CAP050400440RTS	CAPACITOR 5/40/440V (M1, M2)
81	CAP050500440RTS	CAPACITOR 5/50/440V (M3, M4)
91	4400065	CAPACITOR STRAP
131	PCBDM101S	DEFROST CONTROL BOARD
151	B1370772	TIME DELAY (ICM) 180 SEC DELAY
NS	0161R00009P	NAMEPLATE

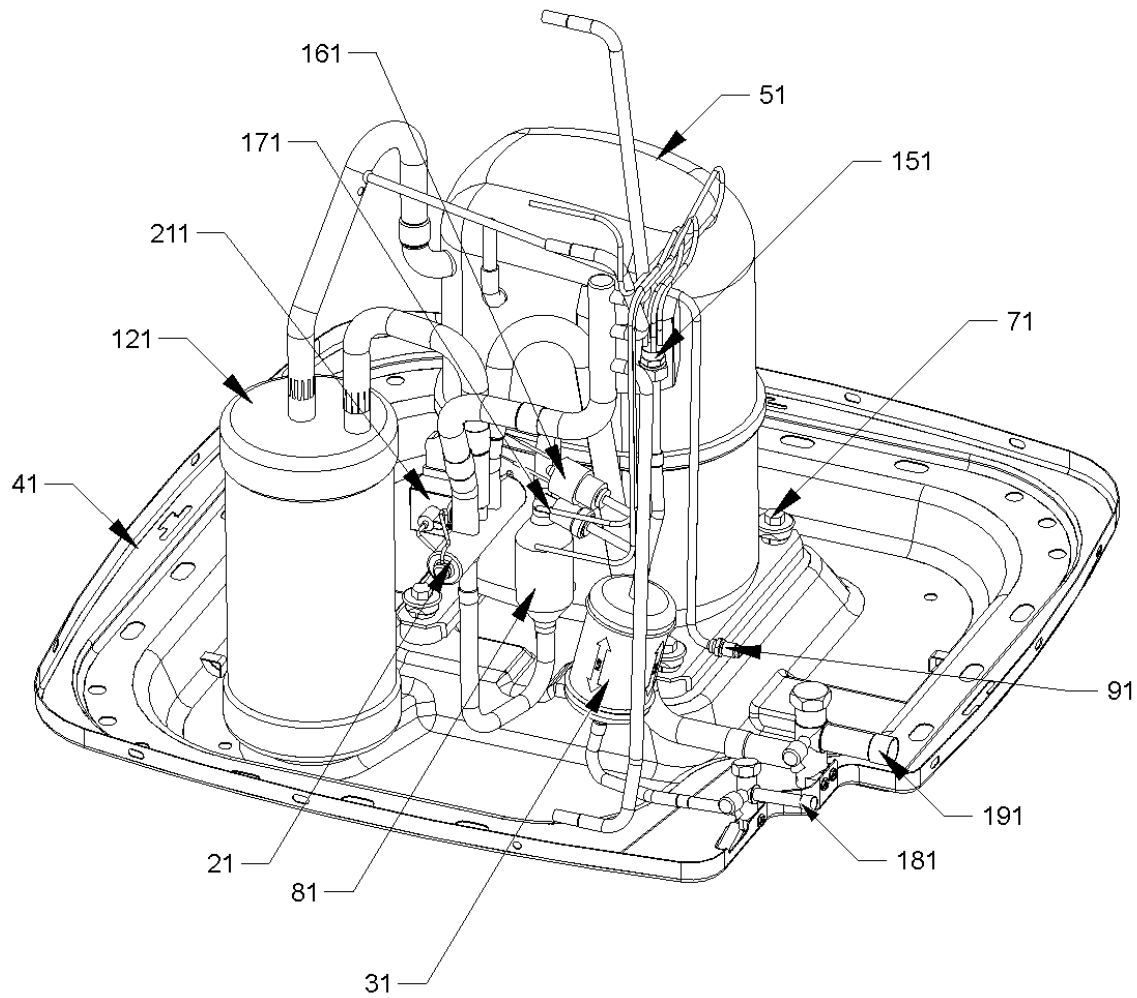
Image 2:

72	CONT3P025024VS	CONTACTOR 25 AMP, 3P, 24V (M5, M6, M7, M8, M9, M10, M11, M12, M13, M14)
82	CAP050000370VAS	CAPACITOR 5/370V (M5, M6, M7, M8, M9, M10, M11, M12, M13, M14)
162	0130M00025S	24V RELAY (M5, M6, M7, M8, M9, M10, M11, M12, M13, M14)

Expanded Model Nomenclature

M1 - CPKF24-2M
M2 - CPKF24-2N
M3 - CPKF36-2M
M4 - CPKF36-2N
M5 - CPKF36-5M
M6 - CPKF36-5N
M7 - CPKF42-5M
M8 - CPKF42-5N
M9 - CPKF48-5M
M10 - CPKF48-5N
M11 - CPKF60-5M
M12 - CPKF60-5N
M13 - CPKF61-5M
M14 - CPKF61-5N

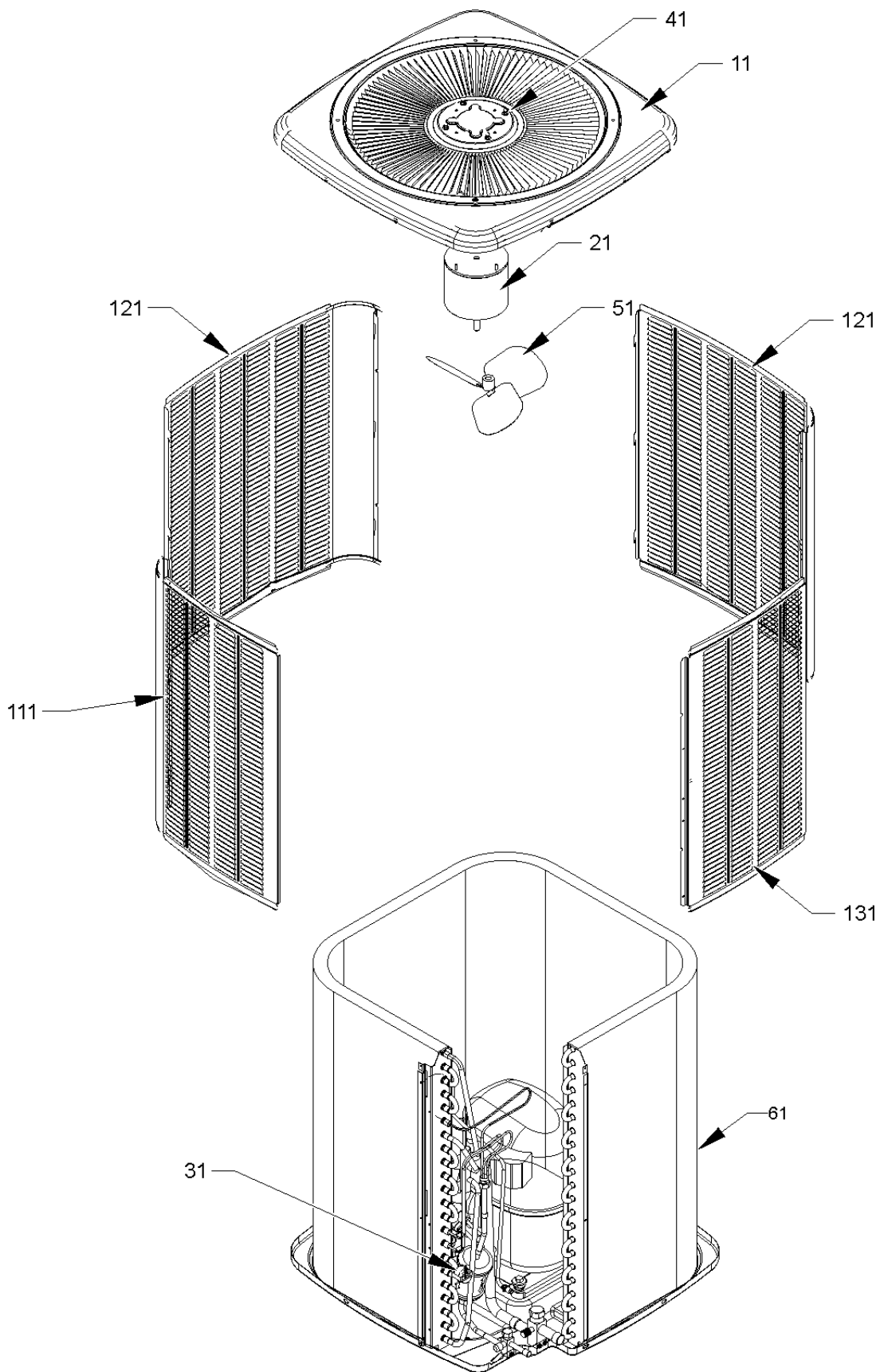
Tubing Assembly



Tubing Assembly

Ref. Part No:	No:	Description:	Ref. Part No:	No:	Description:
<i>Image 1:</i>			Expanded Model Nomenclature		
21	B1227315S	REVERSING VALVE (M1, M2, M3, M4, M5, M6)	M1	-	CPKF24-2M
21	B1227317S	REVERSING VALVE (M7, M8, M9, M10, M11, M12, M13, M14)	M2	-	CPKF24-2N
31	B1219204	BI-FLOW FILTER DRIER, STEEL	M3	-	CPKF36-2M
41	0121R00005PDG	BASE PAN 26" (M1, M2, M3, M4, M5, M6)	M4	-	CPKF36-2N
41	0121R00006PDG	BASE PAN 29" (M7, M9, M11, M13)	M5	-	CPKF36-5M
41	0121R00006PDG	BASE PAN 29" (M8, M10, M12, M14)	M6	-	CPKF36-5N
51	CR30K6PFJ960	COMPRESSOR 24300, 220/240/50/1 (M2)	M7	-	CPKF42-5M
51	CR30KQPFZ280AB	COMPRESSOR 24800, 220/240/50/1 (M1)	M8	-	CPKF42-5N
51	CR41KQPFT280AB	COMPRESSOR 32100, 220/240/50/1 (M3, M4)	M9	-	CPKF48-5M
51	CR41KQTFD280AB	COMPRESSOR 34700, 380/420/50/3 (M5, M6)	M10	-	CPKF48-5N
51	CR47KQTFD280AB	COMPRESSOR 39700, 380/420/50/3 (M7, M8)	M11	-	CPKF60-5M
51	ZR61KCTFD930	COMPRESSOR 62000, 460/60/3 (M9, M10)	M12	-	CPKF60-5N
51	ZR72KCTFD930	COMPRESSOR 73500, 380/460/60/3 (M11, M12)	M13	-	CPKF61-5M
51	ZR81KCTFD930	COMPRESSOR 82000, 460/60/3 (M13, M14)	M14	-	CPKF61-5N
71	M0221641	TF SHOULDER SCREW (QTY 4)			
81	B1219301	MUFFLER 1/2 X 1/2 (M1, M2, M3, M4, M5, M6, M7, M8)			
91	B1787000	VALVE CORE			
121	B1226206	ACCUMULATOR (M1, M2, M3, M4, M5, M6)			
121	B1226207	ACCUMULATOR (M7, M8, M9, M10, M11, M12, M13, M14)			
151	0162M00052	FLOWRATOR .055 (M1, M2)			
151	0162M00049	FLOWRATOR .065 (M3, M4, M5, M6)			
151	0162M00053	FLOWRATOR .068 (M7, M8)			
151	0162M00054	FLOWRATOR .070 (M9, M10)			
151	0162M00050	FLOWRATOR .078 (M11, M12)			
151	0162M00051	FLOWRATOR .080 (M13, M14)			
161	B1360713	CUT-OUT SWITCH, HIGH PRESSURE			
171	B1360719	CUT-OUT SWITCH, LOW PRESSURE			
181	B12825171	3/8" SERVICE VALVE			
191	0151R00002P	3/4" SERVICE VALVE OPEN LEFT (M1, M2, M3, M4, M5, M6)			
191	0151R00003P	7/8" SERVICE VALVE OPEN LEFT (M7, M8, M9, M10, M11, M12, M13, M14)			
211	B1225020	SOLENOID COIL CORD W/1/4"TERMINAL			
NS	B1339530	COMPRESSOR GROMMET (M1, M2, M3, M4, M5, M6, M7, M8)			
NS	B1339533	COMPRESSOR GROMMET (M9, M10, M11, M12, M13, M14)			
NS	B1789859	FLOW CHECK PISTON KIT (M1)			
NS	B1789861	FLOW CHECK PISTON KIT (M2)			
NS	B1789873	FLOW CHECK PISTON KIT (M3, M4, M5, M6)			
NS	B1789880	FLOW CHECK PISTON KIT (M7, M8)			
NS	B1789884	FLOW CHECK PISTON KIT (M9, M10)			
NS	B1789893	FLOW CHECK PISTON KIT (M11, M12, M13, M14)			
NS	B1225022S	SOLENOID COIL			

Cabinet Top/Side Panels



Cabinet Top/Side Panels

Ref. Part No:	No:	Description:	Ref. Part No:	No:	Description:
<i>Image 1:</i>			Expanded Model Nomenclature		
11	0121R00008PDG	TOP PANEL 26" (M1, M2, M3, M4, M5, M6)	M1 -	CPKF24-2M	
11	0121R00010PDG	TOP PANEL 29" (M7, M8, M9, M10, M11, M12, M13, M14)	M2 -	CPKF24-2N	
21	B13400249S	COND MOTOR 1/3 HP, 460V (M5, M6, M9, M10, M11, M12, M13, M14)	M3 -	CPKF36-2M	
21	B13400500S	COND MOTOR 1/4 HP, 220-240V 50HZ (M1, M2, M3, M4)	M4 -	CPKF36-2N	
21	B13400269S	COND MOTOR 380/460 50/60 CYCLE (M7, M8)	M5 -	CPKF36-5M	
31	B1370803	DEFROST THERMOSTAT	M6 -	CPKF36-5N	
41	0163M00006P	ACORN NUT 5/16 HEX BLACK (M2, M4, M6, M8, M10, M12, M14)	M7 -	CPKF42-5M	
41	B1783803	ACORN NUT 5/16 HEX YELLOW ZINC (M1, M3, M5, M7, M9, M11, M13)	M8 -	CPKF42-5N	
51	0150M00004	FAN BLADE 20" (M5, M6)	M9 -	CPKF48-5M	
51	0150M00018S	FAN BLADE 20" (M1, M2, M3, M4)	M10 -	CPKF48-5N	
51	0150M00006S	FAN BLADE 22" (M7, M8)	M11 -	CPKF60-5M	
51	B1086748S	FAN BLADE 22", 3 BLADE, 30° (M9, M10, M11, M12, M13, M14)	M12 -	CPKF60-5N	
61	0201R00091S	TUBING ASSY, COND COIL (M3, M4, M5, M6)	M13 -	CPKF61-5M	
61	0201R00092	TUBING ASSY, COND COIL (M11, M12)	M14 -	CPKF61-5N	
61	0201R00093	TUBING ASSY, COND COIL (M13, M14)			
61	0201R00099S	TUBING ASSY, COND COIL (M1, M2)			
61	0201R00100	TUBING ASSY, COND COIL (M7, M8)			
61	0201R00101	TUBING ASSY, COND COIL (M9, M10)			
111	0121R00014PDGB	LOUVERED SIDE PANEL (M1, M2)			
111	0121R00015PDGB	LOUVERED SIDE PANEL (M3, M4, M5, M6)			
111	0121R00024PDGB	LOUVERED SIDE PANEL (M7, M8, M9, M10)			
111	0121R00027PDGB	LOUVERED SIDE PANEL (M11, M12, M13, M14)			
121	0121R00017PDGB	LOUVERED SIDE PANEL (M1, M2)			
121	0121R00018PDGB	LOUVERED SIDE PANEL (M3, M4, M5, M6)			
121	0121R00030PDGB	LOUVERED SIDE PANEL (M7, M8, M9, M10)			
121	0121R00033PDGB	LOUVERED SIDE PANEL (M11, M12, M13, M14)			
131	0121R00020PDG	LOUVERED SIDE PANEL (M1, M2)			
131	0121R00021PDG	LOUVERED SIDE PANEL (M3, M4, M5, M6)			
131	0121R00036PDG	LOUVERED SIDE PANEL (M7, M8, M9, M10)			
131	0121R00039PDG	LOUVERED SIDE PANEL (M11, M12, M13, M14)			
NS	0161R00001P	CONDUIT (M1, M2, M3, M4, M5, M6)			
NS	0161R00003P	CONDUIT (M7, M8, M9, M10, M11, M12, M13, M14)			

