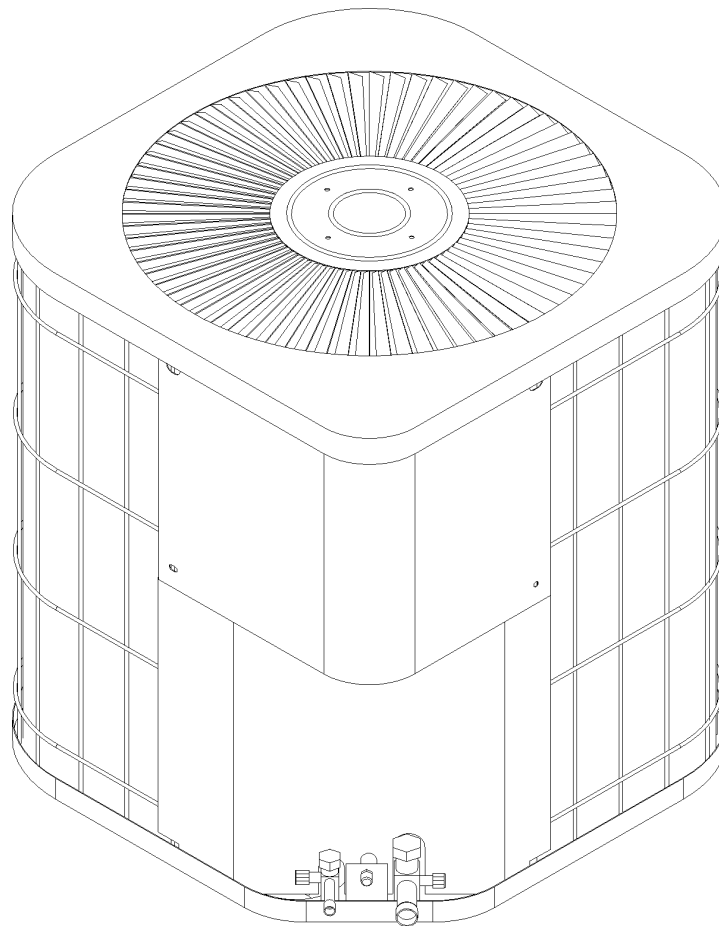




REPAIR PARTS

CPKE Heat Pumps

CPKE18-1
CPKE18-1A
CPKE24-1
CPKE24-1A
CPKE30-1
CPKE36-1
CPKE36-1A
CPKE42-1
CPKE48-1
CPKE48-3
CPKE60-1
CPKE60-1A
CPKE60-3
CPKE60-3A



Goodman Manufacturing Company, L.P.
5151 San Felipe, Suite 500
Houston, TX 77056

www.goodmanmfg.com

RP-191H
June 2007

Important Information

Index

Functional Parts List	3
Illustration and Parts	6 - 9

Views shown are for parts illustrations only, not servicing procedures

Rev. H: Updated compressor part numbers.

Text Codes:

AR - As Required

NA - Not Available

NS - Not Shown

00000000 - See Note

QTY - Quantity Example (QTY 3) (If Quantity not shown, Quantity = 1)

M - Model Example (M1) (If M Code not shown, then part is used on all Models)

Expanded Model Nomenclature:

Example M1 - Model#1 M2 - Model#2 M3 - Model#3

Goodman Manufacturing Company, L.P. is not responsible for personal injury or property damage resulting from improper service. Review all service information before beginning repairs.

Warranty service must be performed by an authorized technician, using authorized factory parts. If service is required after the warranty expires, Goodman Manufacturing Company, L.P. also recommends contacting an authorized technician and using authorized factory parts.

Goodman Manufacturing Company, L.P. reserves the right to discontinue, or change at any time, specifications or designs without notice or without incurring obligations.

For assistance within the U.S.A. contact:
Consumer Affairs Department
Goodman Manufacturing Company, L.P.
7401 Security Way
Houston, Texas 77040
877-254-4729-Telephone
713-863-2382-Facsimile

For assistance outside the U.S.A. contact:
International Division
Goodman Manufacturing Company, L.P.
7401 Security Way
Houston, Texas 77040
713-861-2500-Telephone
713-863-2382-Facsimile

Functional Parts

Part

No: Description:

Part No:	Description:	Part No:	Description:
B1226207	ACCUMULATOR (M8, M9, M10, M11, M12, M13, M14)	B1370803	DEFROST THERMOSTAT
B1226206	ACCUMULATOR (M5, M6, M7)	B1789893	FLOW CHECK PISTON KIT (M12, M14)
B1226205	ACCUMULATOR .625 (M1, M2, M3, M4)	B1789874	FLOW CHECK PISTON KIT (M6, M7)
B1219204	BI-FLOW FILTER DRIER, STEEL	B2114465	FLOWRATOR W/COPPER STUB (M6, M7)
B1226008S	BOARD, DEFROST CONTROL	B2114680	FLOWRATOR W/COPPER STUB (M11, M12, M13, M14)
CAP050300370RS	CAPACITOR 5/30/370V (M1, M2, M4)	B2114455	FLOWRATOR W/COPPER STUB (M5)
B94575300	CAPACITOR 5/35/370V (M3, M5)	B2114452	FLOWRATOR W/COPPER STUB (M3)
CAP050350440RS	CAPACITOR 5/35/440V (M8)	B1314341	FLOWRATOR W/COPPER STUB (M1, M2)
CAP050000370VA	CAPACITOR 5/370V (M10, M13, M14)	B2114441	FLOWRATOR W/COPPER STUB (M4)
CAP050400440RT	CAPACITOR 5/40/440V (M9)	B2114665	FLOWRATOR W/COPPER STUB (M8)
CAP050450370RS	CAPACITOR 5/45/370V (M6, M7)	B2114672	FLOWRATOR W/COPPER STUB (M9, M10)
CAP050600370RT	CAPACITOR 5/60/370V (M11, M12)	B1360719	LOW PRESSURE SWITCH
CR38K6PFV960	COMPRESSOR H23A383ABCA (703859-1501-00) (M8)	B13400247S	MOTOR 1/4 HP, 230V, 1.8 FLA, 1SP (M6, M7, M8, M9, M10, M11, M12, M13, M14)
B9266201AS	COMPRESSOR H23A423ABCA (703932-1501-00) (M9)	B13400252S	MOTOR 1/6 HP, 230V, 1.3 FLA, 1SP (M1, M2, M3, M4, M5)
B9266204AS	COMPRESSOR H23A423DBLA (703932-1501-00) (M10)	B1219301	MUFFLER 1/2 X 1/2 (M6, M7, M8, M9, M10, M11, M12, M13, M14)
CR22K6PFV960	COMPRESSOR H23B22SABCA (705034-1501-00) (M4)	B1219300	MUFFLER 3/8 X 3/8 (M1, M2, M3, M4, M5)
B9266812AS	COMPRESSOR H23B24SABCA (705081-1501-00) (M3)	17279770	REVERSING VALVE ASSY (M12, M14)
B9266295A	COMPRESSOR H25A56QDBLA (706432-1501-00) (M13)	17279833	REVERSING VALVE ASSY (M5)
CR18K6PFV960	COMPRESSOR H25B17QABCA (706454-1501-00) (M1)	17279732	REVERSING VALVE ASSY (M1, M2, M3, M4)
CR28K6PFV960	COMPRESSOR H25B28QABCA (706504-1501-00) (M5)	17279768	REVERSING VALVE ASSY (M6, M7)
CR35K6PFV960	COMPRESSOR H25B35QABCA (706549-1501-00) (M6, M7)	17279709	REVERSING VALVE ASSY (M8, M9, M10, M11, M13)
B9266294AS	COMPRESSOR H27A56QCBCA (706830-1501-00) (M11)	B1227317S	REVERSING VALVE V10 (M8, M9, M10, M11, M12, M13, M14)
CR18K6PFV960	COMPRESSOR H29B17UABCA (729004-1501-00) (M2)	B1227314S	REVERSING VALVE V2 (M1, M2, M3, M4)
B1488800	COMPRESSOR SOUND BLANKET (H27A'S) (M11, M13)	B1227316S	REVERSING VALVE W/COIL (M5, M6, M7)
ZR57K3PFV950	COMPRESSOR ZR57KC-PFV-250 (M12)	B1225020	SOLENOID COIL CORD W/1/4" TERMINAL
ZR57KCTF5930	COMPRESSOR ZR57KC-TF5-230 (M14)	B1225017S	SOLENOID, 24V COIL REVERSING VALVE
CONT1P025024VS	CONTACTOR 25 AMP, 1P, 277V, 125 LRA (M1, M2, M3, M4, M5, M6, M7, M8)	B1141670	START ASSIST (M11)
CONT3P025024V	CONTACTOR 25 AMP, 3P, 24V (M10, M13, M14)	B1787000	VALVE CORE (M1, M3, M4, M5, M6, M7, M8, M9, M10, M11, M12, M13, M14)
CONT1P030024V	CONTACTOR 30 AMP, 1P, 24V (M9, M11)	B1282566	VALVE, SERVICE 3/4" (M1, M2, M3, M4, M5, M6, M7)
CONT2P040024V	CONTACTOR 40 AMP, 2P, 24V (M12)	B12825171	VALVE, SERVICE 3/8" (M2, M4, M5, M7, M8, M9, M10, M12, M14)
1284425	CRATED SERVICE COIL (M6, M7)	20163801	VALVE, SERVICE 3/8" (M1, M3, M6, M11, M13)
1260430	CRATED SERVICE COIL (M3, M4, M5)	B12825167	VALVE, SERVICE 7/8" (M8, M9, M10, M11, M12, M13, M14)
1262200	CRATED SERVICE COIL (M1, M2)		
1284630	CRATED SERVICE COIL (M8, M9, M10, M11, M12, M13, M14)		

Functional Parts

Part

No: Description:

SPECIAL PARTS

IO-103G INSTALLATION INSTRUCTIONS

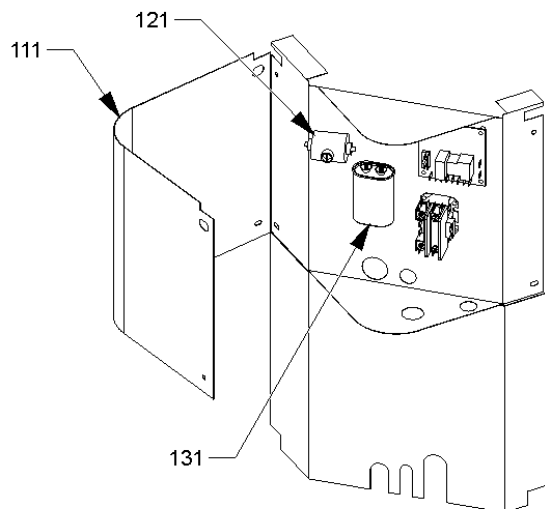
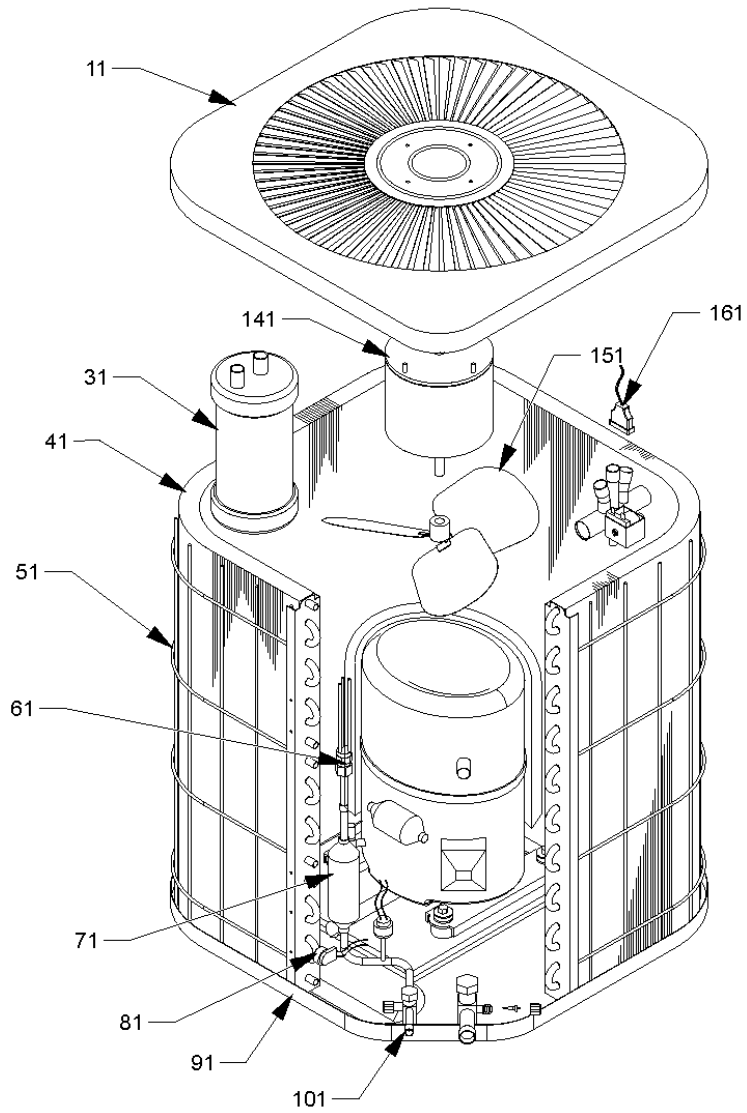
RP-191H REPAIR PARTS MANUAL

Expanded Model Nomenclature

M1 - CPKE18-1
M2 - CPKE18-1A
M3 - CPKE24-1
M4 - CPKE24-1A
M5 - CPKE30-1
M6 - CPKE36-1
M7 - CPKE36-1A
M8 - CPKE42-1
M9 - CPKE48-1
M10 - CPKE48-3
M11 - CPKE60-1
M12 - CPKE60-1A
M13 - CPKE60-3
M14 - CPKE60-3A

THIS PAGE INTENTIONALLY LEFT BLANK

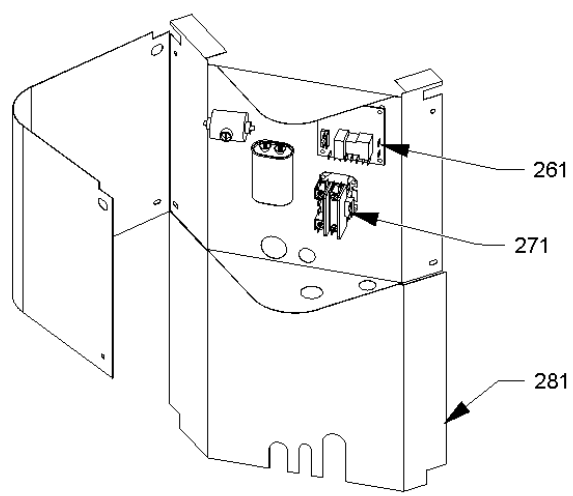
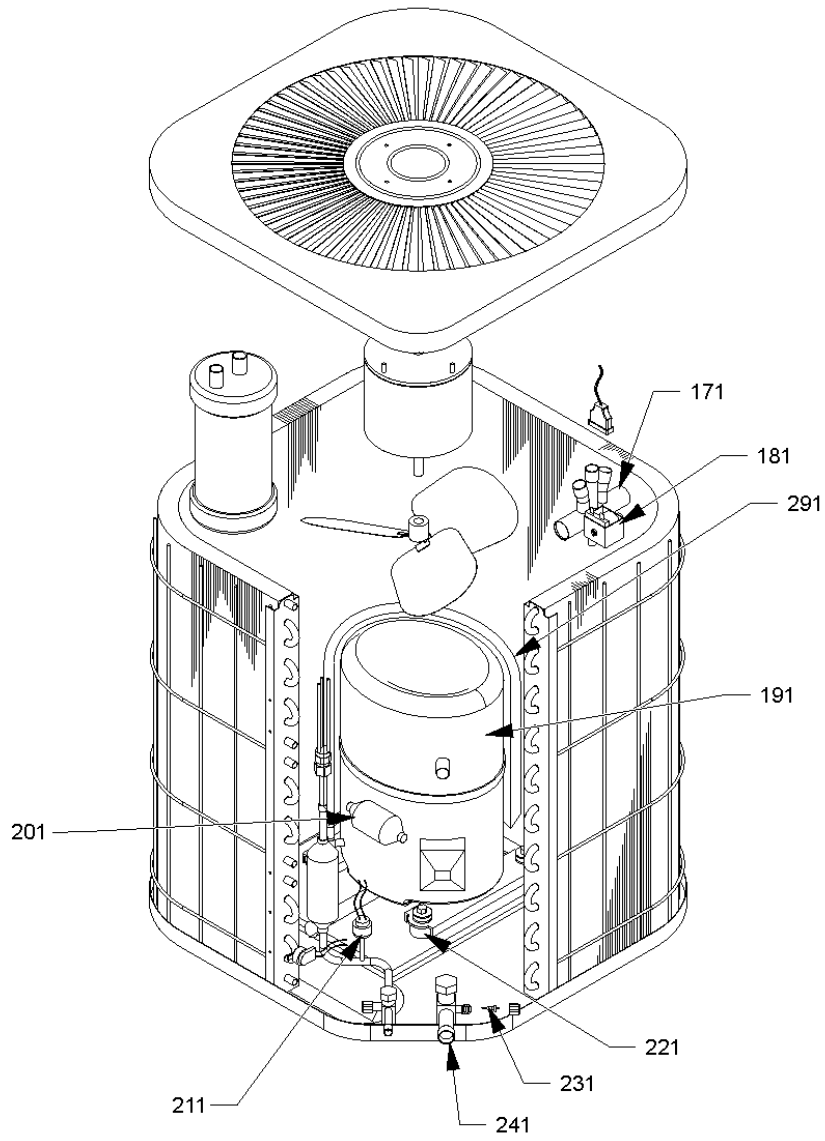
Unit Assembly



Unit Assembly

Ref Part No:	Description:	Ref. Part No:	Description:
<i>Image 1:</i>		161 B1225020	SOLENOID COIL CORD W/1/4"TERMINAL
11 1779405P	TOP PANEL (M1, M2, M3, M4, M5)	Expanded Model Nomenclature	
11 1779415P	TOP PANEL (M6, M7, M8, M9, M10, M11, M12, M13, M14)	M1 - CPKE18-1	
31 B1226206	ACCUMULATOR (M5, M6, M7)	M2 - CPKE18-1A	
31 B1226207	ACCUMULATOR (M8, M9, M10, M11, M12, M13, M14)	M3 - CPKE24-1	
31 B1226205	ACCUMULATOR .625 (M1, M2, M3, M4)	M4 - CPKE24-1A	
41 1260430	CRATED SERVICE COIL (M3, M4, M5)	M5 - CPKE30-1	
41 1262200	CRATED SERVICE COIL (M1, M2)	M6 - CPKE36-1	
41 1284425	CRATED SERVICE COIL (M6, M7)	M7 - CPKE36-1A	
41 1284630	CRATED SERVICE COIL (M8, M9, M10, M11, M12, M13, M14)	M8 - CPKE42-1	
51 B1259522	GRILLE 22" (M1, M2)	M9 - CPKE48-1	
51 B1259625	GRILLE 25" (M6, M7)	M10 - CPKE48-3	
51 1260322	GRILLE 30" (M3, M4, M5)	M11 - CPKE60-1	
51 B1259630	GRILLE 30" (M8, M9, M10, M11, M12, M13, M14)	M12 - CPKE60-1A	
61 B1314341	FLOWRATOR W/COPPER STUB (M1, M2)	M13 - CPKE60-3	
61 B2114441	FLOWRATOR W/COPPER STUB (M4)	M14 - CPKE60-3A	
61 B2114452	FLOWRATOR W/COPPER STUB (M3)		
61 B2114455	FLOWRATOR W/COPPER STUB (M5)		
61 B2114465	FLOWRATOR W/COPPER STUB (M6, M7)		
61 B2114665	FLOWRATOR W/COPPER STUB (M8)		
61 B2114672	FLOWRATOR W/COPPER STUB (M9, M10)		
61 B2114680	FLOWRATOR W/COPPER STUB (M11, M12, M13, M14)		
71 B1219204	BI-FLOW FILTER DRIER, STEEL		
81 B1370803	DEFROST THERMOSTAT		
91 1787209P	BASE PAN (M1, M2, M3, M4, M5)		
91 1787210P	BASE PAN (M6, M7, M8, M9, M10, M11, M12, M13, M14)		
101 20163801	VALVE, SERVICE 3/8" (M1, M3, M6, M11, M13)		
101 B12825171	VALVE, SERVICE 3/8" (M2, M4, M5, M7, M8, M9, M10, M12, M14)		
111 1787624P	CONTROL BOX COVER		
121 B1141670	START ASSIST (M11)		
131 CAP050300370RS	CAPACITOR 5/30/370V (M1, M2, M4)		
131 B94575300	CAPACITOR 5/35/370V (M3, M5)		
131 CAP050350440RS	CAPACITOR 5/35/440V (M8)		
131 CAP050000370VA	CAPACITOR 5/370V (M10, M13, M14)		
131 CAP050400440RT	CAPACITOR 5/40/440V (M9)		
131 CAP050450370RS	CAPACITOR 5/45/370V (M6, M7)		
131 CAP050600370RT	CAPACITOR 5/60/370V (M11, M12)		
141 B13400247S	MOTOR 1/4 HP, 230V, 1.8 FLA, 1SP (M6, M7, M8, M9, M10, M11, M12, M13, M14)		
141 B13400252S	MOTOR 1/6 HP, 230V, 1.3 FLA, 1SP (M1, M2, M3, M4, M5)		
151 B1086771S	FAN BLADE 18" X-SERIES (M1, M2, M3, M4, M5)		
151 B1086750S	FAN BLADE 22", 3 BLADE, 24°P (M6, M7, M8, M9, M10, M11, M12, M13, M14)		

Unit Assembly



Unit Assembly

Ref Part No:	Description:	Ref. Part No:	Description:
<i>Image 1:</i>		271	CONT2P040024V CONTACTOR 40 AMP, 2P, 24V (M12)
171	17279709 REVERSING VALVE ASSY (M8, M9, M10, M11, M13)	281	1787706P ACCESS PANEL 22.5" (M1, M2)
171	17279732 REVERSING VALVE ASSY (M1, M2, M3, M4)	281	1787707P ACCESS PANEL 25" (M6, M7)
171	17279768 REVERSING VALVE ASSY (M6, M7)	281	1787709P ACCESS PANEL 30" (M3, M4, M5, M8, M9, M10, M11, M12, M13, M14)
171	17279770 REVERSING VALVE ASSY (M12, M14)	291	B1488800 COMPRESSOR SOUND BLANKET (H27A'S) (M11, M13)
171	17279833 REVERSING VALVE ASSY (M5)	NS	1284835 CAPACITOR STRAP
171	B1227317S REVERSING VALVE V10 (M8, M9, M10, M11, M12, M13, M14)	NS	B1393701 COMPRESSOR BOLT & SLEEVE ASSY (M1, M2, M3, M4, M5)
171	B1227314S REVERSING VALVE V2 (M1, M2, M3, M4)	NS	M0221641 SCREW-SHOULDER TF (M6, M7, M8, M9, M10, M11, M12, M13, M14)
171	B1227316S REVERSING VALVE W/COIL (M5, M6, M7)	Expanded Model Nomenclature	
181	B1225017S SOLENOID, 24V COIL REVERSING VALVE	<div style="border: 1px solid black; padding: 5px;"> M1 - CPKE18-1 M2 - CPKE18-1A M3 - CPKE24-1 M4 - CPKE24-1A M5 - CPKE30-1 M6 - CPKE36-1 M7 - CPKE36-1A M8 - CPKE42-1 M9 - CPKE48-1 M10 - CPKE48-3 M11 - CPKE60-1 M12 - CPKE60-1A M13 - CPKE60-3 M14 - CPKE60-3A </div>	
191	CR38K6PFV960 COMPRESSOR H23A383ABCA (703859-1501-00) (M8)		
191	B9266201AS COMPRESSOR H23A423ABCA (703932-1501-00) (M9)		
191	B9266204AS COMPRESSOR H23A423DBLA (703932-1501-00) (M10)		
191	CR22K6PFV960 COMPRESSOR H23B22SABCA (705034-1501-00) (M4)		
191	B9266812AS COMPRESSOR H23B24SABCA (705081-1501-00) (M3)		
191	B9266295A COMPRESSOR H25A56QDBLA (706432-1501-00) (M13)		
191	CR18K6PFV960 COMPRESSOR H25B17QABCA (706454-1501-00) (M1)		
191	CR28K6PFV960 COMPRESSOR H25B28QABCA (706504-1501-00) (M5)		
191	CR35K6PFV960 COMPRESSOR H25B35QABCA (706549-1501-00) (M6, M7)		
191	B9266294AS COMPRESSOR H27A56QCBCA (706830-1501-00) (M11)		
191	CR18K6PFV960 COMPRESSOR H29B17UABCA (729004-1501-00) (M2)		
191	ZR57K3PFV950 COMPRESSOR ZR57KC-PFV-250 (M12)		
191	ZR57KCTF5930 COMPRESSOR ZR57KC-TF5-230 (M14)		
201	B1219301 MUFFLER 1/2 X 1/2 (M6, M7, M8, M9, M10, M11, M12, M13, M14)		
201	B1219300 MUFFLER 3/8 X 3/8 (M1, M2, M3, M4, M5)		
211	B1360719 LOW PRESSURE SWITCH		
221	B1339530 COMPRESSOR GROMMET (M1, M2, M3, M4, M5, M6, M7, M8, M9, M10)		
221	B1339533 COMPRESSOR GROMMET (M11, M12, M13, M14)		
231	B1787000 VALVE CORE (M1, M3, M4, M5, M6, M7, M8, M9, M10, M11, M12, M13, M14)		
241	B1282566 VALVE, SERVICE 3/4" (M1, M2, M3, M4, M5, M6, M7)		
241	B12825167 VALVE, SERVICE 7/8" (M8, M9, M10, M11, M12, M13, M14)		
261	B1226008S BOARD, DEFROST CONTROL		
271	CONT1P025024VS CONTACTOR 25 AMP, 1P, 277V, 125 LRA (M1, M2, M3, M4, M5, M6, M7, M8)		
271	CONT3P025024V CONTACTOR 25 AMP, 3P, 24V (M10, M13, M14)		
271	CONT1P030024V CONTACTOR 30 AMP, 1P, 24V (M9, M11)		