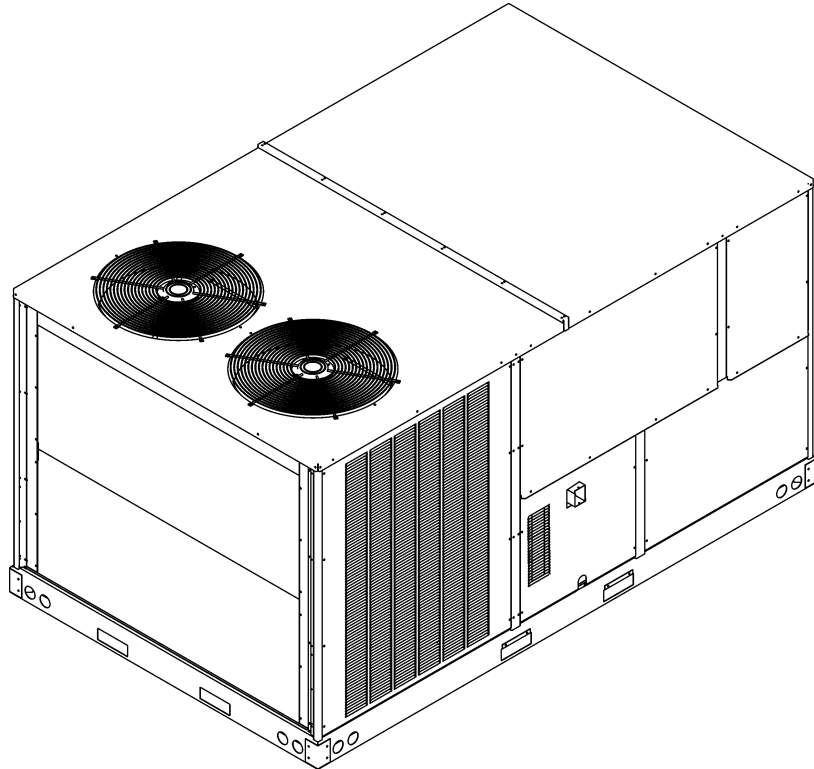


REPAIR PARTS

Commercial 7.5-12.5 Ton Package Heat Pumps

CPH0900163BHBLAC
CPH090XXX3BAXXAC
CPH090XXX3BJAPAC
CPH090XXX3BXJXAA
CPH090XXX3BXXXAA
CPH090XXX3HXXXAA
CPH090XXX4BXJXAA
CPH090XXX4BXXXAA
CPH090XXX4HXXXAA
CPH090XXX7BXJXAA
CPH090XXX7BXXXAA
CPH102XXX3BXXXAA
CPH102XXX4BXXXAA
CPH102XXX7BXXXAA
CPH1200163BHBLAC
CPH120XXX3BAABAC
CPH120XXX3BJAPAC
CPH120XXX3BXJXAA
CPH120XXX3BXXXAA
CPH120XXX3HXXXAA
CPH120XXX4BXJXAA
CPH120XXX4BXXXAA
CPH120XXX4HXXXAA
CPH120XXX7BXJXAA
CPH120XXX7BXXXAA
CPH150XXX3BHZZAC
CPH150XXX3BXXXAA
CPH150XXX4BXXXAA
CPH150XXX7BXXXAA



This manual is to be used by qualified technicians only.

This manual replaces RP-495I

© 2008-2010, 2012-2013 Goodman Manufacturing Company, L.P. ♦ 5151 San Felipe, Suite 500 ♦ Houston, TX 77056

Important Information

Index

Functional Parts List	3
Illustration and Parts	4 - 15

Views shown are for parts illustrations only, not servicing procedures

Addition of models with various FIOP's.
5-21-15: Added models to Venturi Ring part #

Text Codes:

- AR - As Required
- NA - Not Available
- NS - Not Shown
- 00000000 - See Note
- QTY - Quantity Example (QTY 3) (If Quantity not shown, Quantity = 1)
- M - Model Example (M1) (If M Code not shown, then part is used on all Models)

Expanded Model Nomenclature:

Example M1 - Model#1 M2 - Model#2 M3 - Model#3

Goodman Manufacturing Company, L.P. is not responsible for personal injury or property damage resulting from improper service. Review all service information before beginning repairs.

Warranty service must be performed by an authorized technician, using authorized factory parts. If service is required after the warranty expires, Goodman Manufacturing Company, L.P. also recommends contacting an authorized technician and using authorized factory parts.

Goodman Manufacturing Company, L.P. reserves the right to discontinue, or change at any time, specifications or designs without notice or without incurring obligations.

For assistance within the U.S.A. contact:
Consumer Affairs Department
Goodman Manufacturing Company, L.P.
7401 Security Way
Houston, Texas 77040
877-254-4729-Telephone
713-863-2382-Facsimile

For assistance outside the U.S.A. contact:
International Division
Goodman Manufacturing Company, L.P.
7401 Security Way
Houston, Texas 77040
713-861-2500-Telephone
713-863-2382-Facsimile

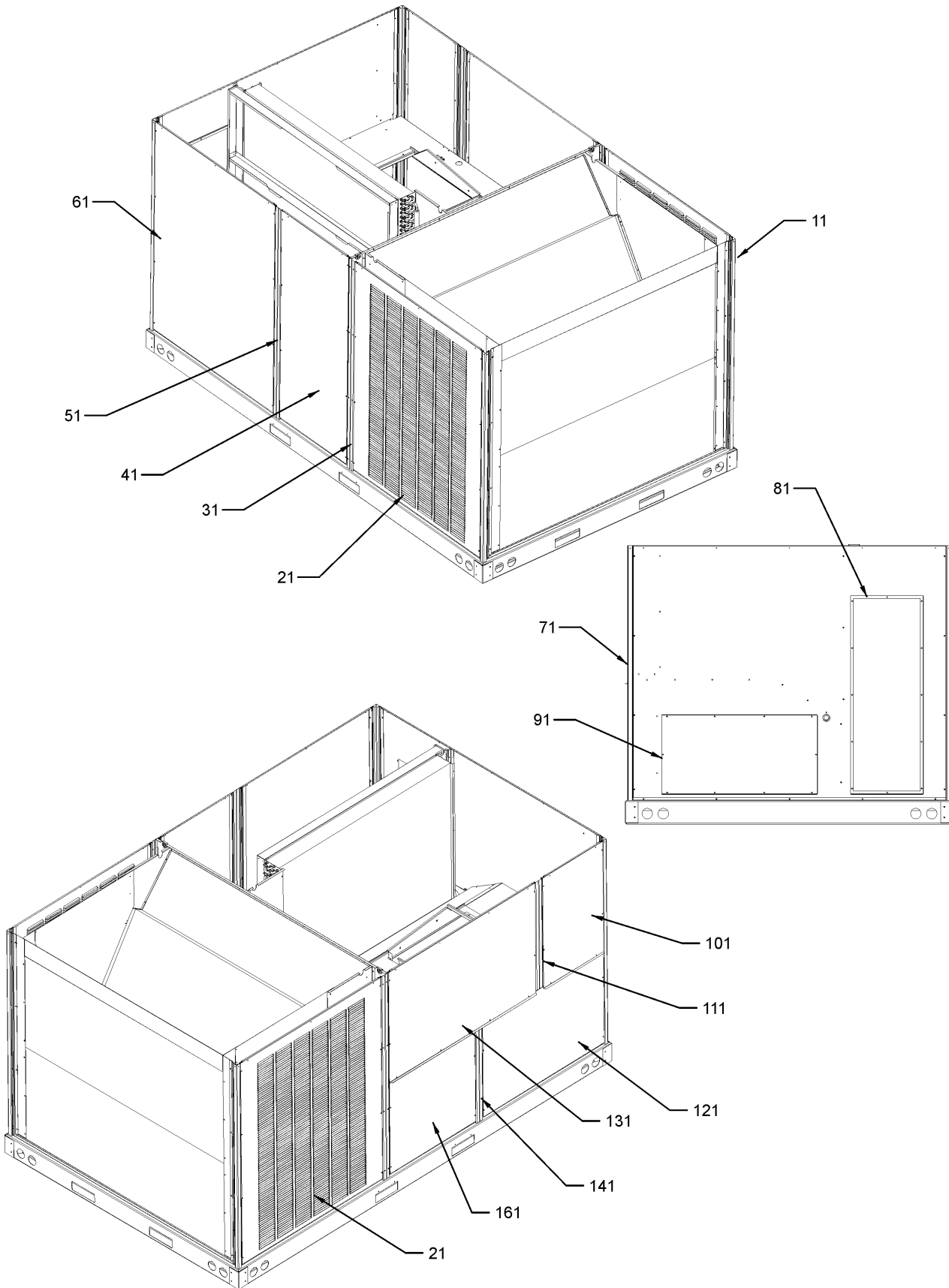
Functional Parts

Part

No: Description:

Part No:	Description:	Part No:	Description:
0130M00025	24V RELAY	0130M00075	LOW PRESSURE SWITCH, C2 (M26, M27, M28, M29)
B3240006	BELT DRIVE MOTOR 2 HP (M1, M2, M3, M4, M5, M6, M7, M8, M11, M12, M13, M15, M16, M17, M18, M20, M21, M25)	0164L00001	NOTCHED FAN BELT AX49 (M5, M8, M19, M22, M26, M27, M28, M29)
B3240004	BELT DRIVE MOTOR 2 HP (M19, M22, M26, M27, M28)	0164L00000	NOTCHED FAN BELT AX51 (M1, M2, M3, M4, M6, M7, M9, M10, M11, M12, M13, M14, M15, M16, M17, M18, M20, M21, M23, M24, M25)
0131L00005	BELT DRIVE MOTOR 2 HP 575 V (M9, M10, M14, M23, M24)	16330-3	POWER BLOCK
0131L00006	BELT DRIVE MOTOR 3 HP 575 V (M29)	10135604	RELAY
03-77429	BLOWER WHEEL (M1, M2, M3, M4, M5, M6, M7, M8, M9, M10, M11, M12, M13, M14)	0151M00021	REVERSING VALVE (M1, M2, M3, M4, M5, M6, M7, M8, M9, M10, M11, M12, M13, M14, M15, M16, M17, M18, M19, M20, M21, M22, M24, M25)
03-78497	BLOWER WHEEL (M15, M16, M17, M18, M19, M20, M21, M22, M23, M24, M25, M26, M27, M28, M29)	0151M00020	REVERSING VALVE (M26, M27, M28, M29)
CAP050000370VA	CAPACITOR 5/370V (QTY 2)	B1225022	SOLENOID COIL
ZP39K5ETF5130	COMPRESSOR 39000, 200/230/60/3 (M1, M2, M3, M4, M5, M11)	B1141672	TRANSFORMER 480V, 75VA, RESETTABLE (M1, M2, M3, M4, M5, M11, M12, M15, M16, M17, M18, M19, M25, M26, M27)
ZP39K5ETFD130	COMPRESSOR 39000, 460/60/3 (M6, M7, M8)	B1141653	TRANSFORMER 480V, 75VA, RESETTABLE (M6, M7, M8, M13, M20, M21, M22, M28)
ZP39K5ETFE130	COMPRESSOR 39000, 575/60/3 (M9, M10)	0130M00045	TRANSFORMER 575/24V (M9, M10, M14, M23, M24, M29)
ZP44K5ETF5130	COMPRESSOR 44000, 200/230/60/3 (M12)	Expanded Model Nomenclature	
ZP44K5ETFD130	COMPRESSOR 44000, 460/60/3 (M13)	M1 - CPH090XXX3BAXXAC	
ZP44K5ETFE130	COMPRESSOR 44000, 575/60/3 (M14)	M2 - CPH090XXX3BJAPAC	
ZP51K5ETF5130	COMPRESSOR 51000, 208/230/60/3 (M15, M16, M17, M18, M19, M25)	M3 - CPH090XXX3BXJXAA	
ZP51K5ETFD130	COMPRESSOR 51000, 460/60/3 (M20, M21, M22)	M4 - CPH090XXX3BXXXAA	
ZP51K5ETFE130	COMPRESSOR 51000, 575/60/3 (M23, M24)	M5 - CPH090XXX3HXXXAA	
ZP67KCETFD130	COMPRESSOR 67000, 460/60/3 (M28)	M6 - CPH090XXX4BXJXAA	
ZP67KCETF5130	COMPRESSOR 67500, 200/230/60/3 (M26, M27)	M7 - CPH090XXX4BXXXAA	
ZP67KCETFE130	COMPRESSOR 67500, 575/60/3 (M29)	M8 - CPH090XXX4HXXXAA	
0131M00008P	COND MOTOR 1/3 HP, 1 SP, 6 PL (M15, M16, M17, M18, M19, M25, M26, M27)	M9 - CPH090XXX7BXJXAA	
B13400249	COND MOTOR 1/3 HP, 460V (M20, M21, M22, M28)	M10 - CPH090XXX7BXXXAA	
0131M00179	COND MOTOR 1/3 HP, 6 PL, 575V (M23, M24, M29)	M11 - CPH0900163BHBLAC	
0131M00007P	COND MOTOR 1/4 HP, 1 SP, 6 PL (M1, M2, M3, M4, M5, M11, M12)	M12 - CPH102XXX3BXXXAA	
B13400269	COND MOTOR 380/460 50/60 CYCLE (M6, M7, M8, M13)	M13 - CPH102XXX4BXXXAA	
0131M00098	COND MOTOR 575V (M9, M10, M14)	M14 - CPH102XXX7BXXXAA	
CONT3P025024V	CONTACTOR 25 AMP, 3P, 24V (M1, M2, M3, M4, M5, M6, M7, M8, M9, M10, M11, M12, M13, M14, M15, M16, M17, M18, M19, M20, M21, M22, M23, M24, M25, M28, M29)	M15 - CPH120XXX3BAABAC	
CONT3P030024V	CONTACTOR 30 AMP, 3P, 24V (M26, M27)	M16 - CPH120XXX3BJAPAC	
CONT2P040024V	CONTACTOR 40 AMP, 2P, 24V	M17 - CPH120XXX3BXJXAA	
0130M00031	CUT-OUT SWITCH, HIGH PRESSURE (M1, M2, M3, M4, M5, M6, M7, M8, M9, M10, M11, M12, M13, M14, M15, M16, M17, M18, M19, M20, M21, M22, M23, M24, M25)	M18 - CPH120XXX3BXXXAA	
0130M00074	CUT-OUT SWITCH, HIGH PRESSURE (M26, M27, M28, M29)	M19 - CPH120XXX3HXXXAA	
0130M00030	CUT-OUT SWITCH, HIGH PRESSURE (M1, M2, M3, M4, M5, M6, M7, M8, M9, M10, M11, M12, M13, M14, M15, M16, M17, M18, M19, M20, M21, M22, M23, M24, M25)	M20 - CPH120XXX4BXJXAA	
0130L00002	CUT-OUT SWITCH, LOW PRESSURE (M1, M2, M3, M4, M5, M6, M7, M8, M9, M10, M11, M12, M13, M14, M15, M16, M17, M18, M19, M20, M21, M22, M23, M24, M25)	M21 - CPH120XXX4BXXXAA	
0130L00003	CUT-OUT SWITCH, LOW PRESSURE (M1, M2, M3, M4, M5, M6, M7, M8, M9, M10, M11, M12, M13, M14, M15, M16, M17, M18, M19, M20, M21, M22, M23, M24, M25)	M22 - CPH120XXX4HXXXAA	
0130M00075	CUT-OUT SWITCH, LOW PRESSURE (M26, M27, M28, M29)	M23 - CPH120XXX7BXJXAA	
PCBDM130	DEFROST CONTROL BOARD	M24 - CPH120XXX7BXXXAA	
PCBFM131	ELECTRONIC BLOWER TIME DELAY	M25 - CPH1200163BHBLAC	
0150G00001	FAN BLADE (M1, M2, M3, M4, M5, M6, M7, M8, M9, M10, M11, M12, M13, M14)	M26 - CPH150XXX3BHYZAC	
10625733	FAN BLADE 22" ALUM CCW (M15, M16, M17, M18, M19, M20, M21, M22, M23, M24, M25, M26, M27, M28, M29)	M27 - CPH150XXX3BXXXAA	
0130M00074	HIGH PRESSURE SWITCH, C2 (M26, M27, M28, M29)	M28 - CPH150XXX4BXXXAA	
		M29 - CPH150XXX7BXXXAA	

Cabinet Assy



Cabinet Assy

Ref. Part No: No:	Description:	Ref. Part No: No:	Description:
<i>Image 1:</i>		<i>Image 1:</i>	
11	0121L00065RFDG CORNER POST (M1, M2, M3, M4, M5, M6, M7, M8, M9, M10, M11, M12, M13, M14, M15, M16, M17, M18, M19, M20, M21, M22, M23, M24, M25)	131	0270L00174 INSULATED ASSY, BLOWER DOOR (M3, M4, M5, M6, M7, M8, M9, M10, M12, M13, M14, M17, M18, M19, M20, M21, M22, M23, M24)
11	0121L00487RFDG CORNER POST (M27, M28, M29)	141	0121L00068RFDG POST-BURNER DOOR (M3, M4, M5, M6, M7, M8, M9, M10, M12, M13, M14, M17, M18, M19, M20, M21, M22, M23, M24, M27, M28, M29)
11	0121L00979RFDG CORNER POST (M26)	141	0121L00765RFDG RF, PNT, POST, BURNER BOX (M1, M2, M11, M15, M16, M25, M26)
21	0152L00001 GRILLE-CONDENSER (M26)	161	0121L00406DG BURNER DOOR (M3, M4, M5, M6, M7, M8, M9, M10, M12, M13, M14, M17, M18, M19, M20, M21, M22, M23, M24, M27, M28, M29)
21	0121L00386DG LOUVERED SIDE PANEL (M27, M28, M29)	161	0121L00828DG BURNER DOOR (M1, M2, M11, M15, M16, M25, M26)
21	0121L00511DG LOUVERED SIDE PANEL (M1, M2, M3, M4, M5, M6, M7, M8, M9, M10, M11, M12, M13, M14, M15, M16, M17, M18, M19, M20, M21, M22, M23, M24, M25)	Expanded Model Nomenclature	
31	0121L00738RFDG PNT, ROLL FORM SIDE POST (M1, M2, M3, M4, M5, M6, M7, M8, M9, M10, M11, M12, M13, M14, M15, M16, M17, M18, M19, M20, M21, M22, M23, M24, M25)	<div style="border: 1px solid black; padding: 5px;"> M1 - CPH090XXX3BAXXAC M2 - CPH090XXX3BJAPAC M3 - CPH090XXX3BXJXAA M4 - CPH090XXX3BXXXAA M5 - CPH090XXX3HXXXAA M6 - CPH090XXX4BXJXAA M7 - CPH090XXX4BXXXAA M8 - CPH090XXX4HXXXAA M9 - CPH090XXX7BXJXAA M10 - CPH090XXX7BXXXAA M11 - CPH0900163BHBLAC M12 - CPH102XXX3BXXXAA M13 - CPH102XXX4BXXXAA M14 - CPH102XXX7BXXXAA M15 - CPH120XXX3BAABAC M16 - CPH120XXX3BJAPAC M17 - CPH120XXX3BXJXAA M18 - CPH120XXX3BXXXAA M19 - CPH120XXX3HXXXAA M20 - CPH120XXX4BXJXAA M21 - CPH120XXX4BXXXAA M22 - CPH120XXX4HXXXAA M23 - CPH120XXX7BXJXAA M24 - CPH120XXX7BXXXAA M25 - CPH1200163BHBLAC M26 - CPH150XXX3BHYZAC M27 - CPH150XXX3BXXXAA M28 - CPH150XXX4BXXXAA M29 - CPH150XXX7BXXXAA </div>	
31	0121L00758RFDG POST-SIDE, RF PAINTED (M27, M28, M29)		
31	0121L00980RFDG POST-SIDE, RF PAINTED (M26)		
41	0270L00272 INSUL FILTER DOOR ASSY (M1, M2, M3, M4, M5, M6, M7, M8, M9, M10, M11, M12, M13, M14, M15, M16, M17, M18, M19, M20, M21, M22, M23, M24, M25)		
41	0270L00273 INSUL FILTER DOOR ASSY (M26, M27, M28, M29)		
51	0121L00739RFDG PNT, RFORM, FILTER DOOR POST (M1, M2, M3, M4, M5, M6, M7, M8, M9, M10, M11, M12, M13, M14, M15, M16, M17, M18, M19, M20, M21, M22, M23, M24, M25)		
51	0121L00757RFDG POST-FILTER, RF PAINTED (M26, M27, M28, M29)		
61	0270L00167 INSULATED ASSY, ECONOMIZER DOOR (M26, M27, M28, M29)		
61	0270L00175 INSULATED ASSY, ECONOMIZER DOOR (M1, M2, M3, M4, M5, M6, M7, M8, M9, M10, M11, M12, M13, M14, M15, M16, M17, M18, M19, M20, M21, M22, M23, M24, M25)		
71	0270L00164 INSULATED ASSY, DUCT PANEL (M26, M27, M28, M29)		
71	0270L00180 INSULATED ASSY, DUCT PANEL (M1, M2, M3, M4, M5, M6, M7, M8, M9, M10, M11, M12, M13, M14, M15, M16, M17, M18, M19, M20, M21, M22, M23, M24, M25)		
81	0270L00041 INSULATED ASSY, SUPPLY DUCT		
91	0270L00040 INSULATED ASSY, RETURN DUCT		
101	0121G00315DG CONTROL DOOR (M3, M4, M5, M6, M7, M8, M9, M10, M12, M13, M14, M17, M18, M19, M20, M21, M22, M23, M24)		
101	0121L00764DG CONTROL DOOR (M1, M2, M11, M15, M16, M25)		
101	0270L00170 CONTROL DOOR (M27, M28, M29)		
101	0270L00302 CONTROL DOOR (M26)		
111	0121L00067RFDG POST-CONTROL DOOR (M3, M4, M5, M6, M7, M8, M9, M10, M12, M13, M14, M17, M18, M19, M20, M21, M22, M23, M24)		
111	0121L00491RFDG POST-CONTROL DOOR (M27, M28, M29)		
111	0121L00817RFDG RF, PNT, CONTROL POST (M26)		
111	0121L00762RFDG RF, PNT, POST, CONTROL BOX (M1, M2, M11, M15, M16, M25)		
121	0270L00299 INSUL HEAT EXCH DOOR ASSY (M1, M2, M11, M15, M16, M25, M26)		
121	0270L00169 INSULATED ASSY, HEAT EXCHANGER DOOR (M3, M4, M5, M6, M7, M8, M9, M10, M12, M13, M14, M17, M18, M19, M20, M21, M22, M23, M24, M27, M28, M29)		
131	0270L00301 INSUL BLOWER DOOR ASSY (M26)		
131	0270L00298 INSUL BLWR DOOR ASSY (M1, M2, M11, M15, M16, M25)		
131	0270L00166 INSULATED ASSY, BLOWER DOOR (M27, M28, M29)		

Top Panel / Tubing Assy

Image 1

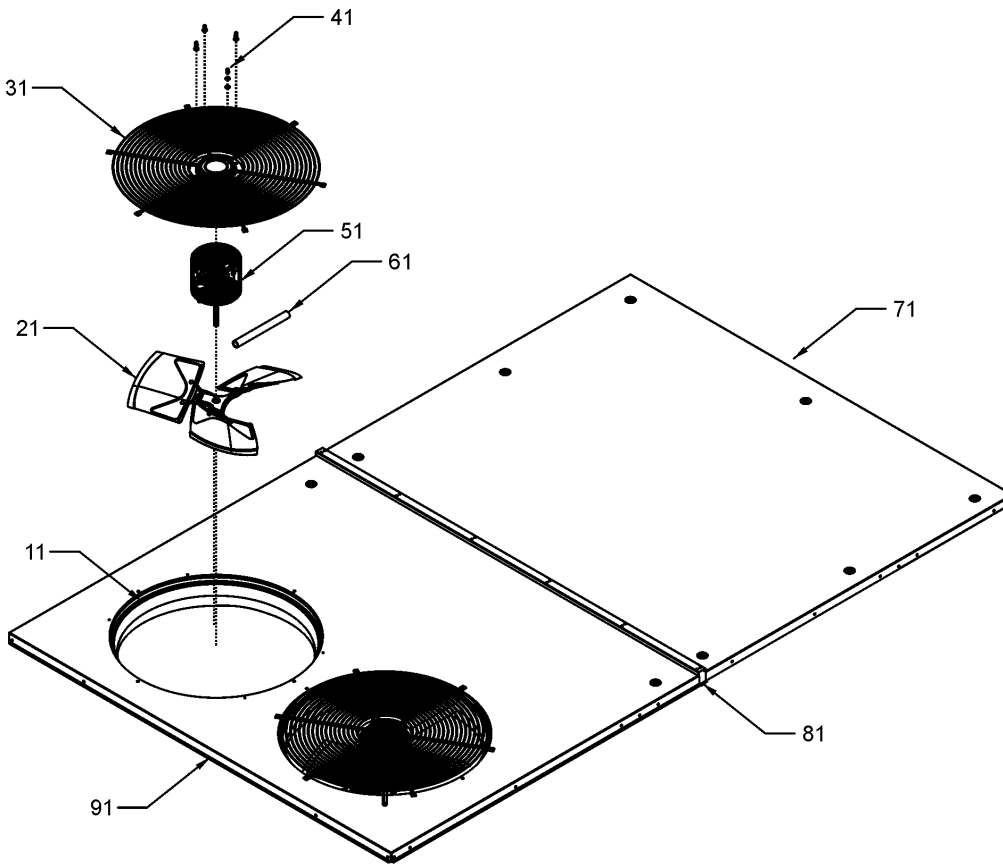
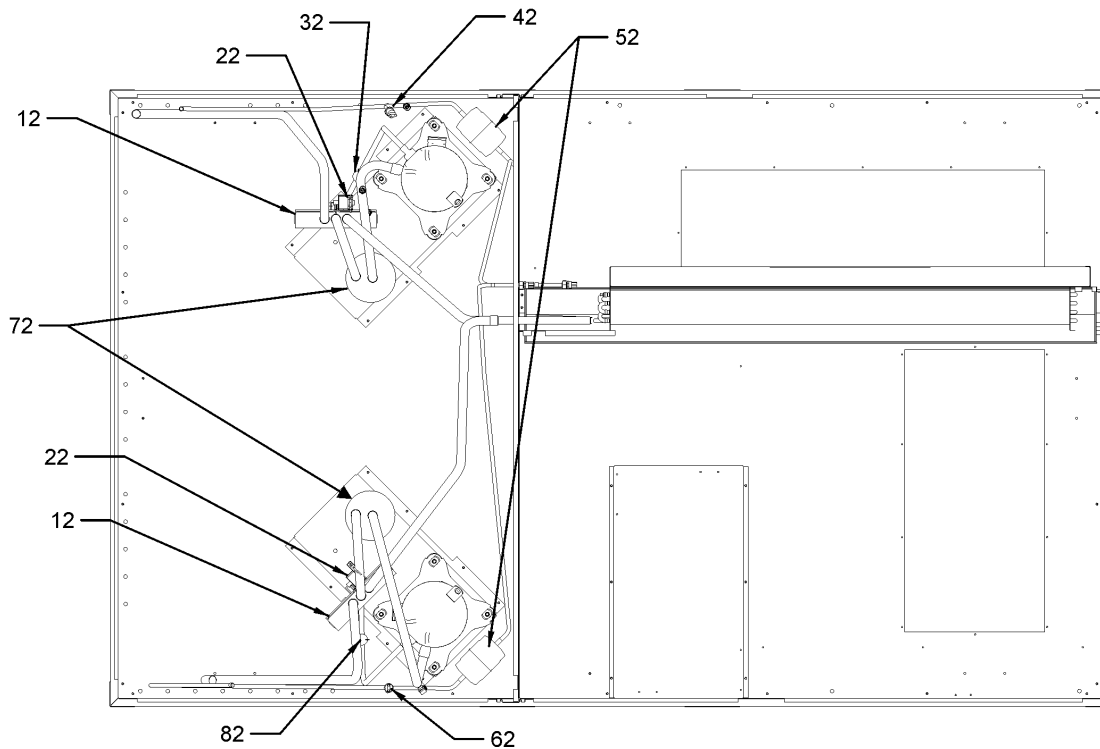


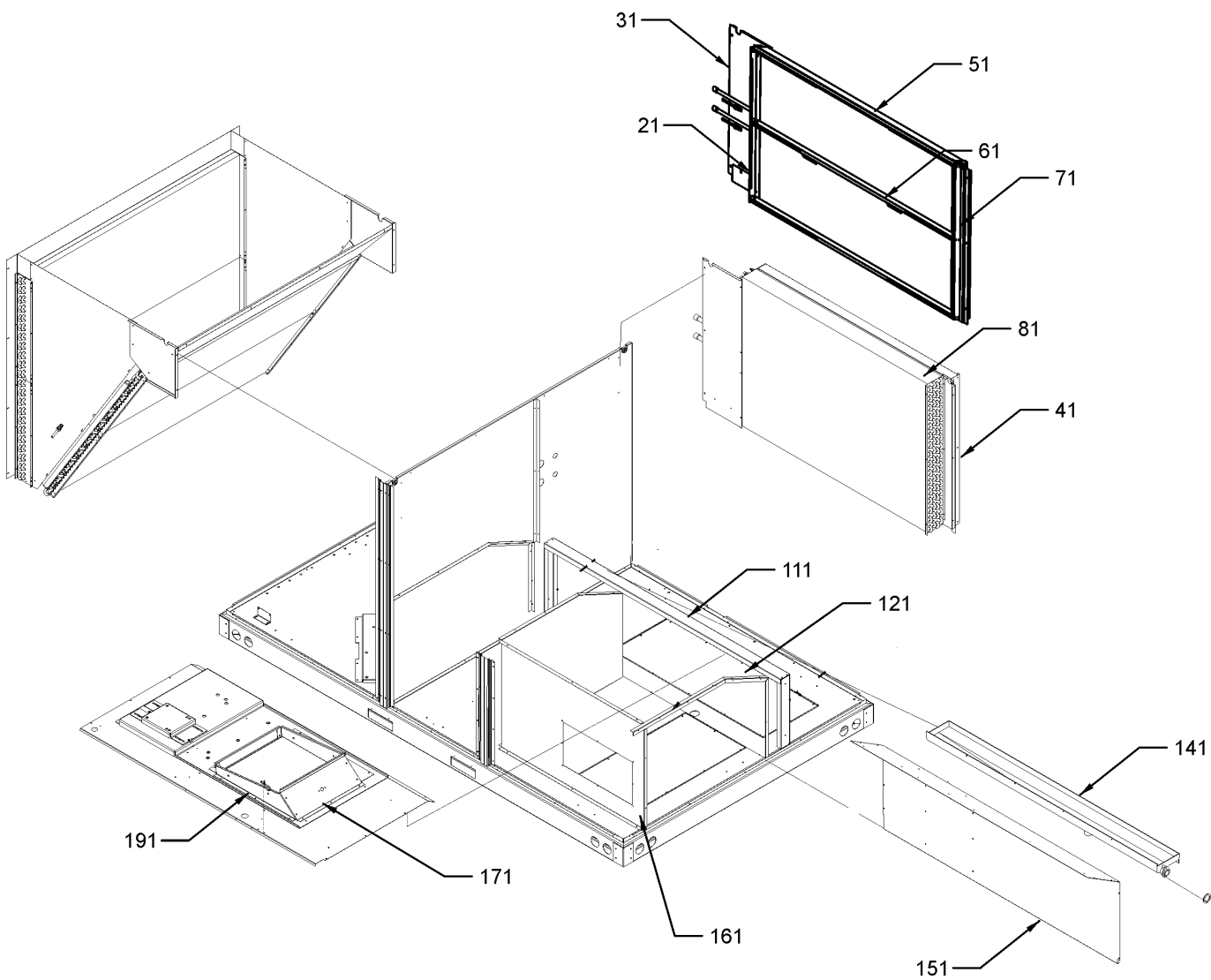
Image 2



Top Panel / Tubing Assy

Ref. Part No:	No:	Description:	Ref. Part No:	No:	Description:
<i>Image 1:</i>			<i>Image 2:</i>		
11	0161L00000	VENTURI RING 22" (QTY 2)	72	B1226207	ACCUMULATOR .875 (M1, M2, M3, M4, M5, M6, M7, M8, M9, M10, M11, M12, M13, M14, M15, M16, M17, M18, M19, M20, M21, M22, M23, M24, M25)
21	0150G00001	FAN BLADE (M1, M2, M3, M4, M5, M6, M7, M8, M9, M10, M11, M12, M13, M14)	82	0130M00030	CUT-OUT SWITCH, HIGH PRESSURE (M1, M2, M3, M4, M5, M6, M7, M8, M9, M10, M11, M12, M13, M14, M15, M16, M17, M18, M19, M20, M21, M22, M23, M24, M25)
21	10625733	FAN BLADE 22" ALUM CCW (M15, M16, M17, M18, M19, M20, M21, M22, M23, M24, M25, M26, M27, M28, M29)	82	0130M00074	CUT-OUT SWITCH, HIGH PRESSURE (M26, M27, M28, M29)
31	0152G00003	FAN GRILLE (QTY 2)	NS	B1373315	ACCESS FITTING (QTY 4)
41	0163M00006P	ACORN NUT 5/16 HEX BLACK (M1, M2, M3, M4, M5, M6, M7, M8, M9, M10, M11, M12, M13, M14)	NS	0130M00102	CONTROL, DEFROST (M1, M2, M3, M4, M5, M6, M7, M8, M9, M10, M11, M12, M13, M14, M15, M16, M17, M18, M19, M20, M21, M22, M23, M24, M25)
51	0131M00008P	COND MOTOR 1/3 HP, 1 SP, 6 PL (M15, M16, M17, M18, M19, M25, M26, M27)	NS	0130M00104	CONTROL, DEFROST (M26, M27, M28, M29)
51	B13400249	COND MOTOR 1/3 HP, 460V (M20, M21, M22, M28)	Expanded Model Nomenclature		
51	0131M00179	COND MOTOR 1/3 HP, 6 PL, 575V (M23, M24, M29)	M1	- CPH090XXX3BAXXAC	
51	0131M00007P	COND MOTOR 1/4 HP, 1 SP, 6 PL (M1, M2, M3, M4, M5, M11, M12)	M2	- CPH090XXX3BJAPAC	
51	B13400269	COND MOTOR 380/460 50/60 CYCLE (M6, M7, M8, M13)	M3	- CPH090XXX3BXJXAA	
51	0131M00098	COND MOTOR 575V (M9, M10, M14)	M4	- CPH090XXX3BXXXAA	
61	1778800083F	PVC CONDUIT 8.25" (M1, M2, M3, M4, M5, M6, M7, M8, M9, M10, M11, M12, M13, M14)	M5	- CPH090XXX3HXXXAA	
71	0121L00497DG	EVAP TOP PANEL	M6	- CPH090XXX4BXJXAA	
81	0121L00114DG	SPLICE	M7	- CPH090XXX4BXXXAA	
91	0121L01014DG	COND TOP PANEL	M8	- CPH090XXX4HXXXAA	
NS	0163M00175	CAP WITH O-RING (M26, M27, M28, M29)	M9	- CPH090XXX7BXJXAA	
NS	0259L00096	COND MOTOR HARNESS (M26, M27, M29)	M10	- CPH090XXX7BXXXAA	
NS	0259L00097	COND MOTOR HARNESS (M28)	M11	- CPH0900163BHBLAC	
NS	0259L00025	COND MOTOR HARNESS 230V (M1, M2, M3, M4, M5, M9, M10, M11, M12, M14, M15, M16, M17, M18, M19, M23, M24, M25)	M12	- CPH102XXX3BXXXAA	
NS	0259L00027	COND MOTOR HARNESS 230V (M1, M2, M3, M4, M5, M9, M10, M11, M12, M14, M15, M16, M17, M18, M19, M23, M24, M25, M26, M27, M29)	M13	- CPH102XXX4BXXXAA	
NS	0259L00026	COND MOTOR HARNESS 460V (M6, M7, M8, M13, M20, M21, M22)	M14	- CPH102XXX7BXXXAA	
NS	0259L00028	COND MOTOR HARNESS 460V (M6, M7, M8, M13, M20, M21, M22, M28)	M15	- CPH120XXX3BAABAC	
<i>Image 2:</i>			M16	- CPH120XXX3BJAPAC	
12	0151M00020	REVERSING VALVE (M26, M27, M28, M29)	M17	- CPH120XXX3BXJXAA	
12	0151M00021	REVERSING VALVE (M1, M2, M3, M4, M5, M6, M7, M8, M9, M10, M11, M12, M13, M14, M15, M16, M17, M18, M19, M20, M21, M22, M23, M24, M25)	M18	- CPH120XXX3BXXXAA	
22	B1225022	SOLENOID COIL	M19	- CPH120XXX3HXXXAA	
32	0130M00031	CUT-OUT SWITCH, HIGH PRESSURE (M1, M2, M3, M4, M5, M6, M7, M8, M9, M10, M11, M12, M13, M14, M15, M16, M17, M18, M19, M20, M21, M22, M23, M24, M25)	M20	- CPH120XXX4BXJXAA	
32	0130M00074	HIGH PRESSURE SWITCH, C2 (M26, M27, M28, M29)	M21	- CPH120XXX4BXXXAA	
42	0130L00003	CUT-OUT SWITCH, LOW PRESSURE (M1, M2, M3, M4, M5, M6, M7, M8, M9, M10, M11, M12, M13, M14, M15, M16, M17, M18, M19, M20, M21, M22, M23, M24, M25)	M22	- CPH120XXX4HXXXAA	
42	0130M00075	LOW PRESSURE SWITCH, C2 (M26, M27, M28, M29)	M23	- CPH120XXX7BXJXAA	
52	0151M00012	BI-FLOW FILTER DRIER (M26, M27, M28, M29)	M24	- CPH120XXX7BXXXAA	
52	20485201	BI-FLOW FILTER DRIER (M1, M2, M3, M4, M5, M6, M7, M8, M9, M10, M11, M12, M13, M14, M15, M16, M17, M18, M19, M20, M21, M22, M23, M24, M25)	M25	- CPH1200163BHBLAC	
62	0130L00002	CUT-OUT SWITCH, LOW PRESSURE (M1, M2, M3, M4, M5, M6, M7, M8, M9, M10, M11, M12, M13, M14, M15, M16, M17, M18, M19, M20, M21, M22, M23, M24, M25)	M26	- CPH150XXX3BHYZAC	
62	0130M00075	CUT-OUT SWITCH, LOW PRESSURE (M26, M27, M28, M29)	M27	- CPH150XXX3BXXXAA	
72	0151L00001	ACCUMULATOR (M26, M27, M28, M29)	M28	- CPH150XXX4BXXXAA	
			M29	- CPH150XXX7BXXXAA	

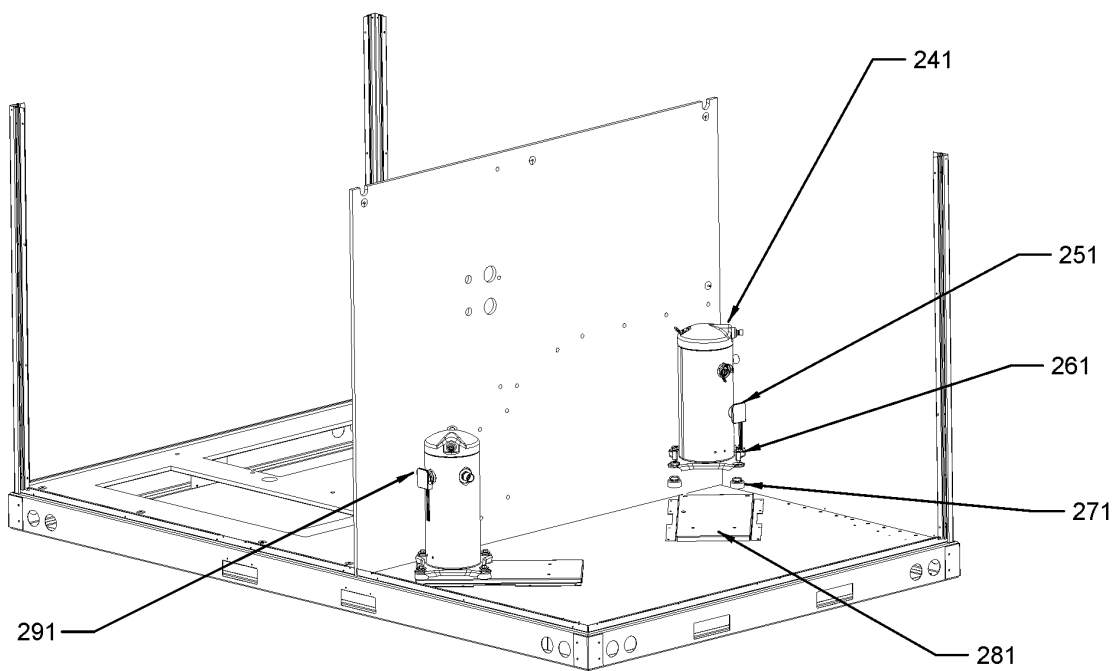
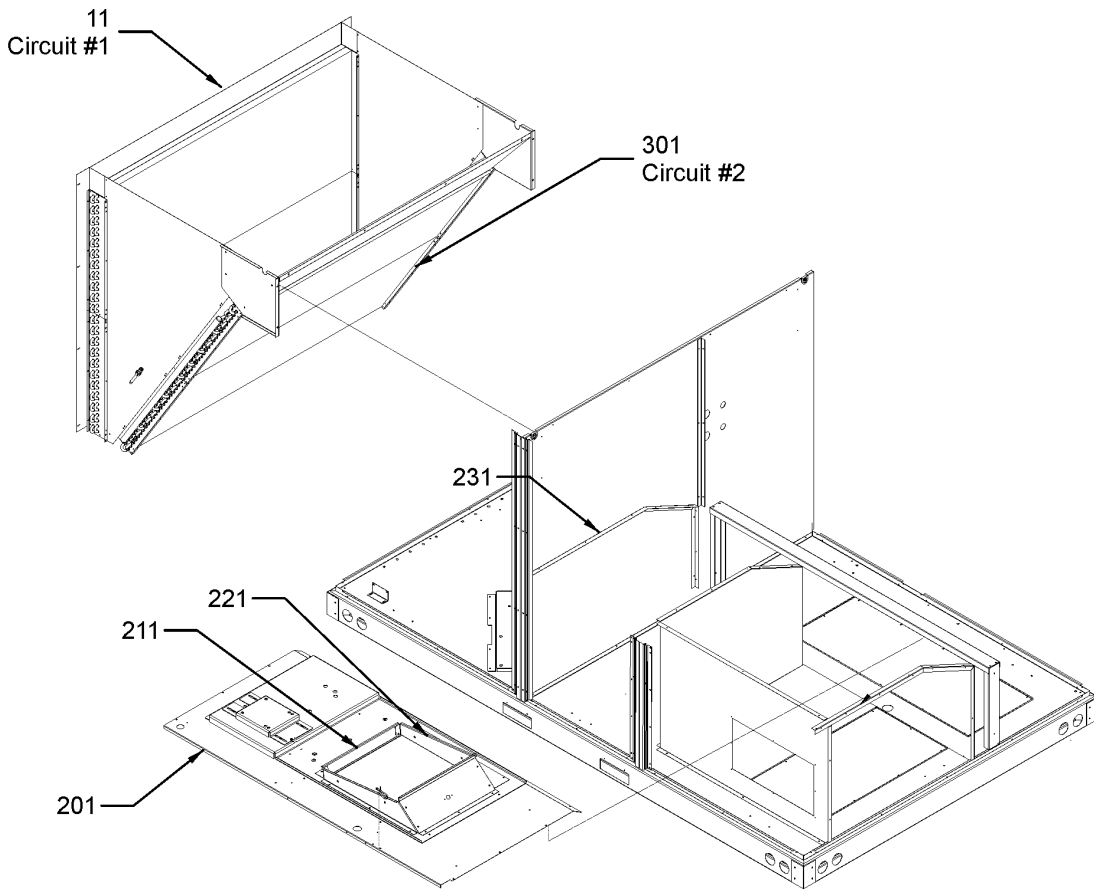
Partition Assy



Partition Assy

Ref. Part No:	No:	Description:	Ref. Part No:	No:	Description:
<i>Image 1:</i>			<i>Image 1:</i>		
21	0121L00519	FILTER ANGLE-VERTICAL (RETURN SIDE) (M26, M27, M28, M29)	NS	0162L00011	FLOWRATOR [EVAP] (M15, M16, M17, M18, M19, M20, M21, M22, M25)
21	0121L00650	FILTER ANGLE-VERTICAL (RETURN SIDE) (M1, M2, M3, M4, M5, M6, M7, M8, M9, M10, M11, M12, M13, M14, M15, M16, M17, M18, M19, M20, M21, M22, M23, M24, M25)	NS	0162L00021	FLOWRATOR [EVAP] (M12, M13, M14)
31	0121L00210	EVAP EXTENSION-RETURN SIDE (M1, M2, M3, M4, M5, M6, M7, M8, M9, M10, M11, M12, M13, M14, M15, M16, M17, M18, M19, M20, M21, M22, M23, M24, M25)	Expanded Model Nomenclature		
31	0121L00517	EVAP EXTENSION-RETURN SIDE (M26, M27, M28, M29)	<div style="border: 1px solid black; padding: 5px;"> M1 - CPH090XXX3BAXXAC M2 - CPH090XXX3BJAPAC M3 - CPH090XXX3BXJXAA M4 - CPH090XXX3BXXAA M5 - CPH090XXX3HXXXAA M6 - CPH090XXX4BXJXAA M7 - CPH090XXX4BXXAA M8 - CPH090XXX4HXXXAA M9 - CPH090XXX7BXJXAA M10 - CPH090XXX7BXXAA M11 - CPH0900163BHBLAC M12 - CPH102XXX3BXXAA M13 - CPH102XXX4BXXAA M14 - CPH102XXX7BXXAA M15 - CPH120XXX3BAABAC M16 - CPH120XXX3BJAPAC M17 - CPH120XXX3BXJXAA M18 - CPH120XXX3BXXAA M19 - CPH120XXX3HXXXAA M20 - CPH120XXX4BXJXAA M21 - CPH120XXX4BXXAA M22 - CPH120XXX4HXXXAA M23 - CPH120XXX7BXJXAA M24 - CPH120XXX7BXXAA M25 - CPH1200163BHBLAC M26 - CPH150XXX3BHYZAC M27 - CPH150XXX3BXXAA M28 - CPH150XXX4BXXAA M29 - CPH150XXX7BXXAA </div>		
41	0121L00843	EVAP EXTENSION-HAIRPIN SIDE (M1, M2, M3, M4, M5, M6, M7, M8, M9, M10, M11, M12, M13, M14, M15, M16, M17, M18, M19, M20, M21, M22, M23, M24, M25)			
41	0121L00845	EVAP EXTENSION-HAIRPIN SIDE (M26, M27, M28, M29)			
51	0121L00649	FILTER ANGLE - HORIZONTAL (M1, M2, M3, M4, M5, M6, M7, M8, M9, M10, M11, M12, M13, M14, M15, M16, M17, M18, M19, M20, M21, M22, M23, M24, M25)			
51	0121L00399	FILTER ANGLE-HORIZONTAL (M26, M27, M28, M29)			
61	0121L00648	FILTER ANGLE - HORIZONTAL (CENTER) (M1, M2, M3, M4, M5, M6, M7, M8, M9, M10, M11, M12, M13, M14, M15, M16, M17, M18, M19, M20, M21, M22, M23, M24, M25)			
61	0270L00161	FILTER ANGLE-HORIZONTAL (CENTER) (M26, M27, M28, M29)			
71	0121L00358	FILTER ANGLE-VERTICAL (HAIRPIN SIDE) (M1, M2, M3, M4, M5, M6, M7, M8, M9, M10, M11, M12, M13, M14, M15, M16, M17, M18, M19, M20, M21, M22, M23, M24, M25)			
71	0121L00520	FILTER ANGLE-VERTICAL (HAIRPIN SIDE) (M26, M27, M28, M29)			
81	0202L00050	EVAP COIL TUBING ASSY (M12, M13, M14)			
81	0202L00056	EVAP COIL TUBING ASSY (M23, M24)			
81	0202L00058	EVAP COIL TUBING ASSY (M9, M10)			
81	0202L00004	TUBING ASSY, EVAP COIL (M1, M2, M3, M4, M5, M6, M7, M8, M11)			
81	0202L00007	TUBING ASSY, EVAP COIL (M15, M16, M17, M18, M19, M20, M21, M22, M25)			
81	0202L00044	TUBING ASSY, EVAP COIL (M26, M27, M28, M29)			
111	0121L00372	DRAIN PAN SUPPORT (M26, M27, M28, M29)			
111	0121L00508	DRAIN PAN SUPPORT (M1, M2, M3, M4, M5, M6, M7, M8, M9, M10, M11, M12, M13, M14, M15, M16, M17, M18, M19, M20, M21, M22, M23, M24, M25)			
121	0121L00103	MOUNTING ANGLE, DECK-DUCT SIDE			
141	0161L00002	DRAIN PAN			
151	0121L00374	DECK SIDE CHANNEL			
161	0121L00365	ELECTRIC HEAT PANEL			
171	0121L00090	BLOWER TRANSITION, RH END (M1, M2, M3, M4, M5, M6, M7, M8, M9, M10, M11, M12, M13, M14)			
171	0121L00168	BLOWER TRANSITION, RH END (M15, M16, M17, M18, M19, M20, M21, M22, M23, M24, M25, M26, M27, M28, M29)			
191	0121L00092	BLOWER TRANSITION, FRONT			
NS	0160L00021	AIR FILTER (M1, M2, M3, M4, M5, M6, M7, M8, M9, M10, M11, M12, M13, M14, M15, M16, M17, M18, M19, M20, M21, M22, M23, M24, M25)			
NS	B1369611	AIR FILTER 20 X 25 X 2 (M26, M27, M28, M29)			
NS	0162L00015	FLOWRATOR .078 [EVAP] (M9, M10)			
NS	0162L00003	FLOWRATOR [EVAP] (M1, M2, M3, M4, M5, M6, M7, M8, M11)			
NS	0162L00004	FLOWRATOR [EVAP] (M23, M24)			

Compressor / Condenser / Partition Assy



Compressor / Condenser / Partition Assy

Ref. Part No:	No:	Description:	Ref. Part No:	No:	Description:
<i>Image 1:</i>			<i>Image 1:</i>		
11	0201L00107	COND TUBING ASSY C1 (M10)	NS	0162L00000	FLOWRATOR [COND] (M9, M10)
11	0201L00109	COND TUBING ASSY C1 (M9)	NS	0162L00002	FLOWRATOR [COND] (M1, M2, M3, M4, M5, M6, M7, M8, M11)
11	0201L00002	TUBING ASSY, COND COIL (M1, M2, M4, M5, M7, M8)	NS	0162L00006	FLOWRATOR [COND] (M15, M16, M17, M18, M19, M20, M21, M22, M23, M24, M25)
11	0201L00015	TUBING ASSY, COND COIL (M15, M16, M18, M19, M21, M22, M24)	NS	0162L00022	FLOWRATOR [COND] (M12, M13, M14)
11	0201L00025	TUBING ASSY, COND COIL (M3, M6, M11)	Expanded Model Nomenclature		
11	0201L00028	TUBING ASSY, COND COIL (M17, M20, M23, M25)	M1 - CPH090XXX3BAXXAC		
11	0201L00078	TUBING ASSY, COND COIL (M26, M27, M28, M29)	M2 - CPH090XXX3BJAPAC		
11	0201L00096	TUBING ASSY, COND COIL C1 (M12, M13, M14)	M3 - CPH090XXX3BXJXAA		
201	0121L00373	BLOWER DECK (M3, M4, M5, M6, M7, M8, M9, M10, M12, M13, M14, M17, M18, M19, M20, M21, M22, M23, M24, M27, M28, M29)	M4 - CPH090XXX3BXXXAA		
201	0121L00928	BLOWER DECK (M1, M2, M11, M15, M16, M25, M26)	M5 - CPH090XXX3HXXXAA		
211	0121L00097	BLOWER TRANSITION, LH END (M1, M2, M3, M4, M5, M6, M7, M8, M9, M10, M11, M12, M13, M14)	M6 - CPH090XXX4BXJXAA		
211	0121L00169	BLOWER TRANSITION, LH END (M15, M16, M17, M18, M19, M20, M21, M22, M23, M24, M25, M26, M27, M28, M29)	M7 - CPH090XXX4BXXXAA		
221	0121L00094	BLOWER TRANSITION, BACK (M15, M16, M17, M18, M19, M20, M21, M22, M23, M24, M25, M26, M27, M28, M29)	M8 - CPH090XXX4HXXXAA		
221	0121L00145	BLOWER TRANSITION, BACK (M1, M2, M3, M4, M5, M6, M7, M8, M9, M10, M11, M12, M13, M14)	M9 - CPH090XXX7BXJXAA		
231	0121L00102	MOUNTING ANGLE, DECK-COND SIDE	M10 - CPH090XXX7BXXXAA		
241	ZP39K5ETF5130	COMPRESSOR 39000, 200/230/60/3 (M1, M2, M3, M4, M5, M11)	M11 - CPH0900163BHBLAC		
241	ZP39K5ETFD130	COMPRESSOR 39000, 460/60/3 (M6, M7, M8)	M12 - CPH102XXX3BXXXAA		
241	ZP39K5ETFE130	COMPRESSOR 39000, 575/60/3 (M9, M10)	M13 - CPH102XXX4BXXXAA		
241	ZP44K5ETF5130	COMPRESSOR 44000, 200/230/60/3 (M12)	M14 - CPH102XXX7BXXXAA		
241	ZP44K5ETFD130	COMPRESSOR 44000, 460/60/3 (M13)	M15 - CPH120XXX3BAABAC		
241	ZP44K5ETFE130	COMPRESSOR 44000, 575/60/3 (M14)	M16 - CPH120XXX3BJAPAC		
241	ZP51K5ETF5130	COMPRESSOR 51000, 208/230/60/3 (M15, M16, M17, M18, M19, M25)	M17 - CPH120XXX3BXJXAA		
241	ZP51K5ETFD130	COMPRESSOR 51000, 460/60/3 (M20, M21, M22)	M18 - CPH120XXX3BXXXAA		
241	ZP51K5ETFE130	COMPRESSOR 51000, 575/60/3 (M23, M24)	M19 - CPH120XXX3HXXXAA		
241	ZP67KCETFD130	COMPRESSOR 67000, 460/60/3 (M28)	M20 - CPH120XXX4BXJXAA		
241	ZP67KCETF5130	COMPRESSOR 67500, 200/230/60/3 (M26, M27)	M21 - CPH120XXX4BXXXAA		
241	ZP67KCETFE130	COMPRESSOR 67500, 575/60/3 (M29)	M22 - CPH120XXX4HXXXAA		
251	0159L00005	COMPRESSOR SCROLL HARNESS (M1, M2, M3, M4, M5, M6, M7, M8, M9, M10, M11, M12, M13, M14, M15, M16, M17, M18, M19, M20, M21, M22, M23, M24, M25)	M23 - CPH120XXX7BXJXAA		
251	0159L00009	COMPRESSOR SCROLL HARNESS (M26, M27)	M24 - CPH120XXX7BXXXAA		
251	0159L00035	COMPRESSOR SCROLL HARNESS (M28, M29)	M25 - CPH1200163BHBLAC		
261	M0221641	TF SHOULDER SCREW (QTY 8)	M26 - CPH150XXX3BHXZAC		
271	B1339533	COMPRESSOR GROMMET (QTY 8)	M27 - CPH150XXX3BXXXAA		
281	0121L00408	COMPRESSOR MOUNTING PLATE (QTY 2)	M28 - CPH150XXX4BXXXAA		
291	0159L00004	COMPRESSOR SCROLL HARNESS (M1, M2, M3, M4, M5, M6, M7, M8, M9, M10, M11, M12, M13, M14, M15, M16, M17, M18, M19, M20, M21, M22, M23, M24, M25, M28, M29)	M29 - CPH150XXX7BXXXAA		
291	0159L00033	COMPRESSOR SCROLL HARNESS (M26, M27)			
301	0201L00002	COND TUBING ASSY C1 (M1, M2, M4, M5, M7, M8)			
301	0201L00025	COND TUBING ASSY C1 (M3, M6, M11)			
301	0201L00093	COND TUBING ASSY C2 (M26, M27, M28, M29)			
301	0201L00107	COND TUBING ASSY C2 (M10)			
301	0201L00109	COND TUBING ASSY C2 (M9)			
301	0201L00016	TUBING ASSY, COND COIL (M15, M16, M18, M19, M21, M22, M24)			
301	0201L00029	TUBING ASSY, COND COIL (M17, M20, M23, M25)			
301	0201L00097	TUBING ASSY, COND COIL C2 (M12, M13, M14)			

Blower Assembly and Control Box Assembly

Image 1

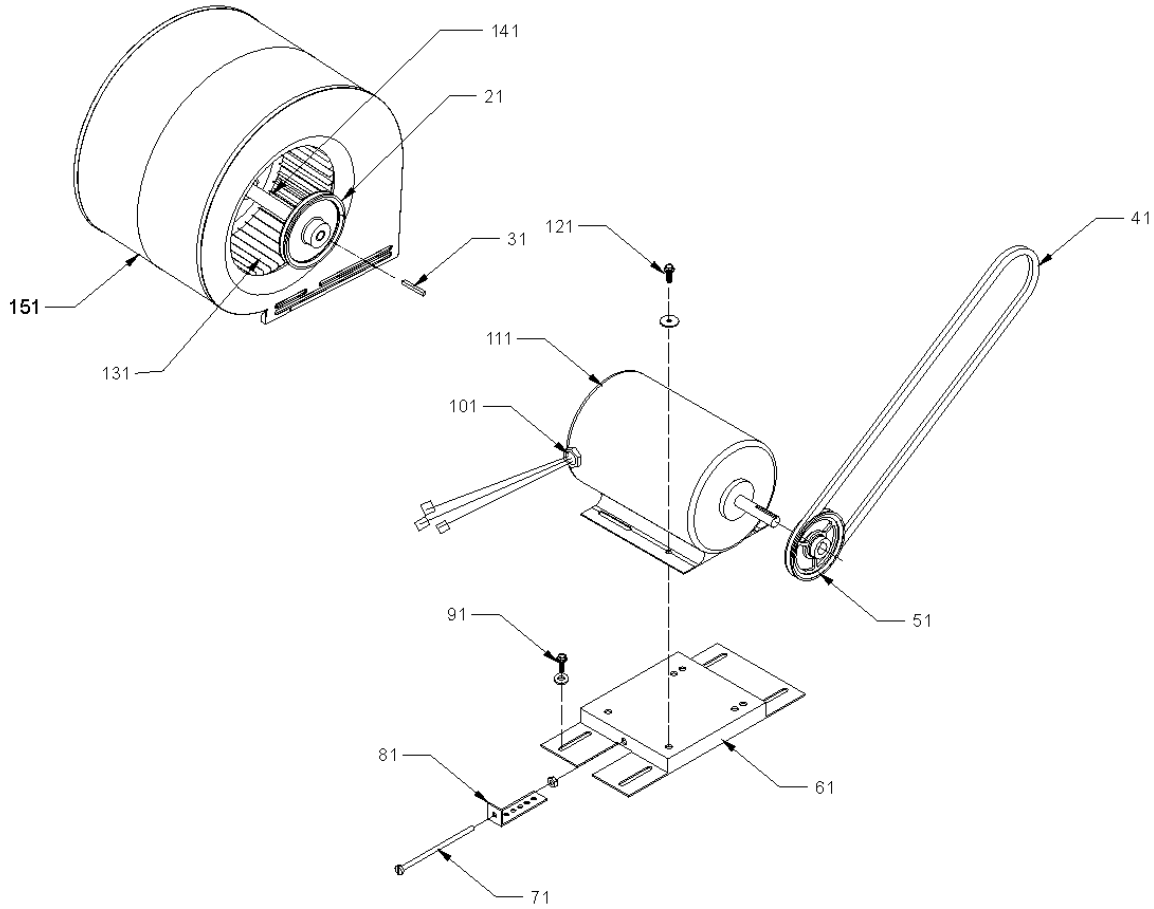
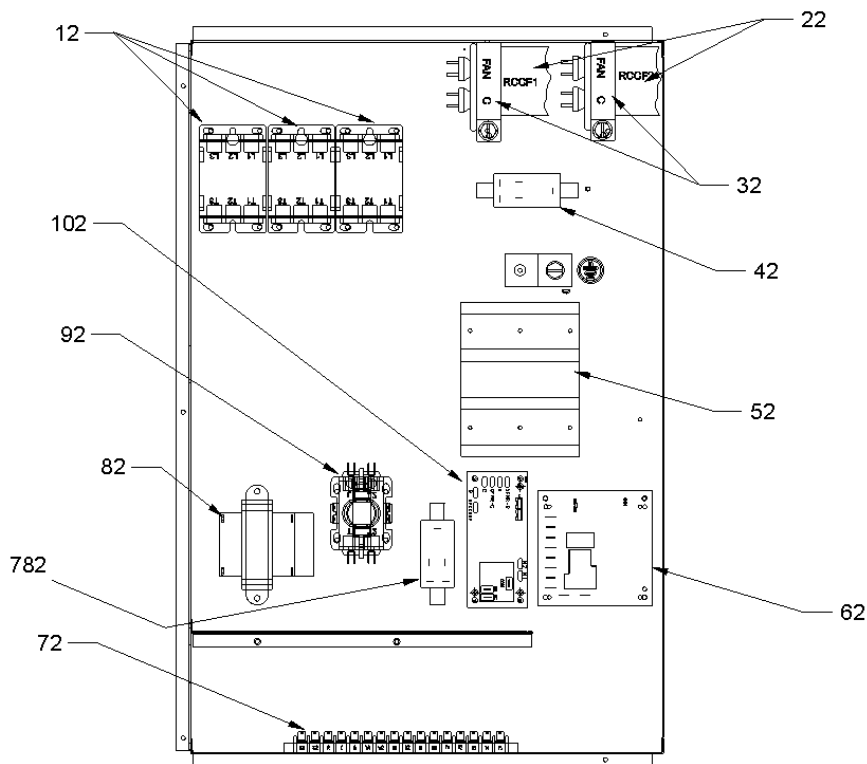


Image 2



Blower Assembly and Control Box Assembly

Ref. Part No:	No:	Description:	Ref. Part No:	No:	Description:
<i>Image 1:</i>			<i>Image 2:</i>		
21	B3204303	FIXED SHEAVE AK61 (M5, M8, M19, M22)	82	0130M00045	TRANSFORMER 575/24V (M9, M10, M14, M23, M24, M29)
21	B3204310	FIXED SHEAVE AK66 (M26, M27, M28, M29)	92	CONT2P040024V	CONTACTOR 40 AMP, 2P, 24V
21	0163L00011	FIXED SHEAVE AK74 (M1, M2, M3, M4, M6, M7, M9, M10, M11, M12, M13, M14, M15, M16, M17, M18, M20, M21, M23, M24, M25)	102	PCBFM131	ELECTRONIC BLOWER TIME DELAY
31	B1398604	STEEL KEY (000158812) 2.0"	782	0130M00025	24V RELAY
41	0164L00001	NOTCHED FAN BELT AX49 (M5, M8, M19, M22, M26, M27, M28, M29)	NS	0259L00030	ECONOMIZER HARNESS (M1, M2, M3, M4, M5, M6, M7, M8, M9, M10, M11, M12, M13, M14, M15, M16, M17, M18, M19, M20, M21, M22, M23, M24, M25)
41	0164L00000	NOTCHED FAN BELT AX51 (M1, M2, M3, M4, M6, M7, M9, M10, M11, M12, M13, M14, M15, M16, M17, M18, M20, M21, M23, M24, M25)	NS	0259L00098	ECONOMIZER HARNESS (M26, M27, M28, M29)
51	B2120014	VARIABLE PITCH SHEAVE 1VL44 X 7/8" (M5, M8, M19, M22)	NS	0259L00086	HARNESS, CONTROL
51	0163L00012	VARIABLE PITCH SHEAVE VL40 (M1, M2, M3, M4, M6, M7, M9, M10, M11, M12, M13, M14, M15, M16, M17, M18, M20, M21, M23, M24, M25, M26, M27, M28, M29)	NS	0259L00032	LCM HARNESS, ELECTRIC HEAT
61	0270L00015	MOTOR BASE ASSY	NS	0259L00087	POWER HARNESS
71	0163M00045	BOLT 1/4-20 X 4"	Expanded Model Nomenclature		
81	3225000F	BELT TIGHTENER ANGLE	M1	- CPH090XXX3BAXXAC	
91	B1446707	SCREW 5/16-18 X 1" (QTY 4)	M2	- CPH090XXX3BJAPAC	
101	B1393726	ELECT. CONNECTING BUSHING	M3	- CPH090XXX3BXJXAA	
111	B3240004	BELT DRIVE MOTOR 2 HP (M19, M22, M26, M27, M28)	M4	- CPH090XXX3BXXXAA	
111	B3240006	BELT DRIVE MOTOR 2 HP (M1, M2, M3, M4, M5, M6, M7, M8, M11, M12, M13, M15, M16, M17, M18, M20, M21, M25)	M5	- CPH090XXX3HXXXAA	
111	0131L00005	BELT DRIVE MOTOR 2 HP 575 V (M9, M10, M14, M23, M24)	M6	- CPH090XXX4BXJXAA	
111	0131L00006	BELT DRIVE MOTOR 3 HP 575 V (M29)	M7	- CPH090XXX4BXXXAA	
121	B1393738	BOLT 1/4-20 X 3/4" (M2, M15, M16)	M8	- CPH090XXX4HXXXAA	
131	03-77429	BLOWER WHEEL (M1, M2, M3, M4, M5, M6, M7, M8, M9, M10, M11, M12, M13, M14)	M9	- CPH090XXX7BXJXAA	
131	03-78497	BLOWER WHEEL (M15, M16, M17, M18, M19, M20, M21, M22, M23, M24, M25, M26, M27, M28, M29)	M10	- CPH090XXX7BXXXAA	
141	04-11525	BLOWER SHAFT (M1, M2, M3, M4, M5, M6, M7, M8, M9, M10, M11, M12, M13, M14)	M11	- CPH0900163BHBLAC	
141	04-11526	BLOWER SHAFT (M15, M16, M17, M18, M19, M20, M21, M22, M23, M24, M25, M26, M27, M28, M29)	M12	- CPH102XXX3BXXXAA	
151	04-01525	BLOWER HOUSING (M1, M2, M3, M4, M5, M6, M7, M8, M9, M10, M11, M12, M13, M14)	M13	- CPH102XXX4BXXXAA	
151	04-01526	BLOWER HOUSING (M15, M16, M17, M18, M19, M20, M21, M22, M23, M24, M25, M26, M27, M28, M29)	M14	- CPH102XXX7BXXXAA	
NS	04-02196	BEARING & FRAME ASSY	M15	- CPH120XXX3BAABAC	
NS	0259L00008	MOTOR HARNESS-BELT DRIVE	M16	- CPH120XXX3BJAPAC	
<i>Image 2:</i>			M17	- CPH120XXX3BXJXAA	
12	CONT3P025024V	CONTACTOR 25 AMP, 3P, 24V (M1, M2, M3, M4, M5, M6, M7, M8, M9, M10, M11, M12, M13, M14, M15, M16, M17, M18, M19, M20, M21, M22, M23, M24, M25, M28, M29)	M18	- CPH120XXX3BXXXAA	
12	CONT3P030024V	CONTACTOR 30 AMP, 3P, 24V (M26, M27)	M19	- CPH120XXX3HXXXAA	
22	CAP050000370VA	CAPACITOR 5/370V (QTY 2)	M20	- CPH120XXX4BXJXAA	
32	20520901	CAPACITOR STRAP (QTY 2)	M21	- CPH120XXX4BXXXAA	
42	10135604	RELAY	M22	- CPH120XXX4HXXXAA	
52	16330-3	POWER BLOCK	M23	- CPH120XXX7BXJXAA	
62	PCBDM130	DEFROST CONTROL BOARD	M24	- CPH120XXX7BXXXAA	
72	0130M00038	TERMINAL BOARD	M25	- CPH1200163BHBLAC	
82	B1141653	TRANSFORMER 480V, 75VA, RESETTABLE (M6, M7, M8, M13, M20, M21, M22, M28)	M26	- CPH150XXX3BHXXZAC	
82	B1141672	TRANSFORMER 480V, 75VA, RESETTABLE (M1, M2, M3, M4, M5, M11, M12, M15, M16, M17, M18, M19, M25, M26, M27)	M27	- CPH150XXX3BXXXAA	
			M28	- CPH150XXX4BXXXAA	
			M29	- CPH150XXX7BXXXAA	

Accessory Parts List

Ref. Part No: No:	Description:	Ref. Part No: No:	Description:
-------------------	--------------	-------------------	--------------

Image 1:

NS 0130M00065	CIRCUIT BREAKER, CONVENIENCE OUTLET (M2, M15, M16)
NS 0270L00274	CONVENIENCE OUTLET ASSY-NP (M11, M25)
NS DSC100B53N001FI	DISCONNECT MODULE ASSY (M11, M25)
NS DSC200B53Y001FI	DISCONNECT MODULE ASSY (M2, M16)
NS DSC200B59N001FI	DISCONNECT MODULE ASSY (M26)
NS DNECONHP90120	ECONOMIZER DOWNFLOW HP (M1, M2, M15, M16)
NS HAILGD02FI	HAIL GUARD ASSY (M2, M11, M15, M16, M25)
NS LAKT09150FIHP3	LOW AMBIENT KIT-7.5-12.5 T 230 (M11, M25)
NS SDSKT01FI75T12	SMOKE DETECTOR ASSEMBLY (M2, M16)
NS SDSRKT01FI75T12	SMOKE DETECTOR ASSEMBLY (M11, M25, M26)
NS 0130M00061	TRANSFORMER, CONVENIENCE OUTLET (M2, M15, M16)

Expanded Model Nomenclature

- M1 - CPH090XXX3BAXXAC
- M2 - CPH090XXX3BJAPAC
- M3 - CPH090XXX3BXJXAA
- M4 - CPH090XXX3BXXXAA
- M5 - CPH090XXX3HXXXAA
- M6 - CPH090XXX4BXJXAA
- M7 - CPH090XXX4BXXXAA
- M8 - CPH090XXX4HXXXAA
- M9 - CPH090XXX7BXJXAA
- M10 - CPH090XXX7BXXXAA
- M11 - CPH0900163BHBLAC
- M12 - CPH102XXX3BXXXAA
- M13 - CPH102XXX4BXXXAA
- M14 - CPH102XXX7BXXXAA
- M15 - CPH120XXX3BAABAC
- M16 - CPH120XXX3BJAPAC
- M17 - CPH120XXX3BXJXAA
- M18 - CPH120XXX3BXXXAA
- M19 - CPH120XXX3HXXXAA
- M20 - CPH120XXX4BXJXAA
- M21 - CPH120XXX4BXXXAA
- M22 - CPH120XXX4HXXXAA
- M23 - CPH120XXX7BXJXAA
- M24 - CPH120XXX7BXXXAA
- M25 - CPH1200163BHBLAC
- M26 - CPH150XXX3BHYZAC
- M27 - CPH150XXX3BXXXAA
- M28 - CPH150XXX4BXXXAA
- M29 - CPH150XXX7BXXXAA