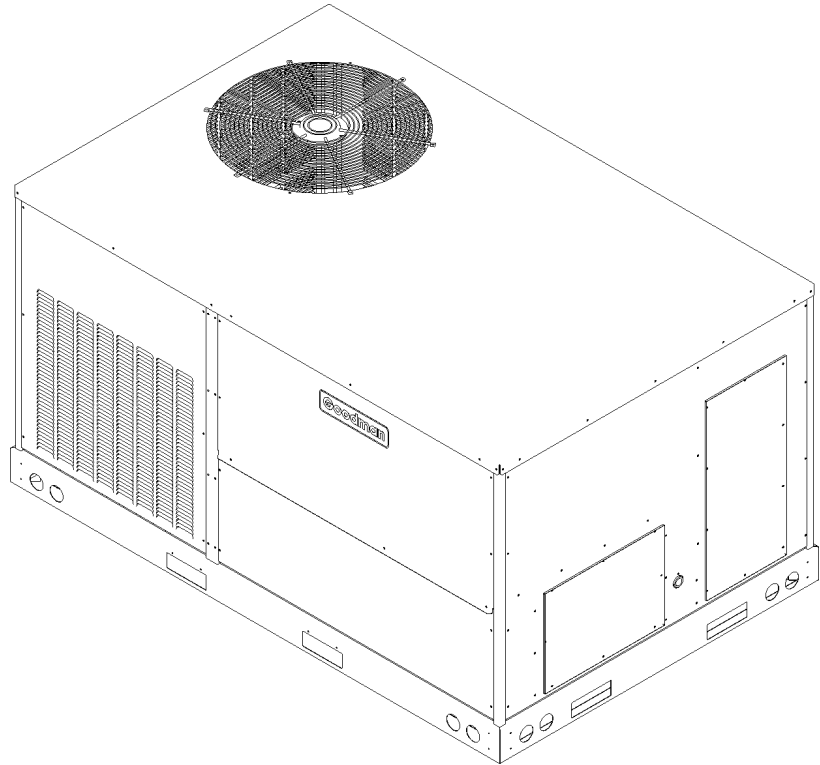


REPAIR PARTS

Light Commercial 3 - 6 Ton

CPH036XXX3BXJXBA
CPH036XXX3BXXXBA
CPH036XXX4BXJXBA
CPH036XXX4BXXXBA
CPH048XXX3BXJXBA
CPH048XXX3BXXXBBB
CPH048XXX3BXXXBA
CPH048XXX4BXJXBA
CPH048XXX4BXXXBA
CPH048XXX7BXJXBA
CPH048XXX7BXXXBA
CPH060XXX3BXJXBA
CPH060XXX3BXXXBA
CPH060XXX4BXJXBA
CPH060XXX4BXXXBA
CPH060XXX7BXJXBA
CPH060XXX7BXXXBA
CPH072XXX3BXJXBA
CPH072XXX3BXXXBA
CPH072XXX4BXJXBA
CPH072XXX4BXXXBA
CPH072XXX7BXJXBA
CPH072XXX7BXXXBA



This manual is to be used by qualified technicians only.

This manual replaces RP-526B.

© 2012,2016 Goodman Manufacturing Company, L.P. ♦ 5151 San Felipe St., Suite 500 ♦ Houston, TX 77056

Important Information

Index

Functional Parts List	3
Illustration and Parts	4 - 13

Views shown are for parts illustrations only, not servicing procedures

Text Codes:

AR - As Required

NA - Not Available

NS - Not Shown

00000000 - See Note

QTY - Quantity Example (QTY 3) (If Quantity not shown, Quantity = 1)

M - Model Example (M1) (If M Code not shown, then part is used on all Models)

Expanded Model Nomenclature:

Example M1 - Model#1 M2 - Model#2 M3 - Model#3

Goodman Manufacturing Company, L.P. is not responsible for personal injury or property damage resulting from improper service. Review all service information before beginning repairs.

Warranty service must be performed by an authorized technician, using authorized factory parts. If service is required after the warranty expires, Goodman Manufacturing Company, L.P. also recommends contacting an authorized technician and using authorized factory parts.

Goodman Manufacturing Company, L.P. reserves the right to discontinue, or change at any time, specifications or designs without notice or without incurring obligations.

For assistance within the U.S.A. contact:
Consumer Affairs Department
Goodman Manufacturing Company, L.P.
7401 Security Way
Houston, Texas 77040
877-254-4729-Telephone
713-863-2382-Facsimile

For assistance outside the U.S.A. contact:
International Division
Goodman Manufacturing Company, L.P.
7401 Security Way
Houston, Texas 77040
713-861-2500-Telephone
713-863-2382-Facsimile

Functional Parts

Part

No: Description:

0130M00025S	24V RELAY (M3, M4, M8, M9, M10, M11, M14, M15, M16, M17, M20, M21, M22, M23)
0131L00003	BELT DRIVE MOTOR 1 HP (M1, M2, M3, M4, M5, M6, M7, M8, M9, M12, M13, M14, M15)
B3240007	BELT DRIVE MOTOR 1.5 HP (M18, M19, M20, M21)
0131L00004S	BELT DRIVE MOTOR 1.5 HP 575V (M10, M11, M16, M17, M22, M23)
CAP050000370VAS	CAPACITOR 5/370V
20520901	CAPACITOR STRAP (QTY 4)
ZP39K5ETF5830	COMP, 39000,200/230/60/3 (M5, M6, M7)
ZP61KCETF5830	COMP, 61500,200/230/60/3 (M18, M19)
ZP61KCETFD830	COMP, 61500,460/60/3 (M20, M21)
ZP31K5ETF5830	COMPRESSOR 31200, 200/230/60/3 (M1, M2)
ZP31K5ETFD130	COMPRESSOR 31200, 460/60/3 (M3, M4)
ZP39K5ETFD130	COMPRESSOR 39000, 460/60/3 (M8, M9)
ZP39K5ETFE830	COMPRESSOR 39000, 575/60/3 (M10, M11)
ZP51K5ETF5130	COMPRESSOR 51000, 208/230/60/3 (M12, M13)
ZP51K5ETFD830	COMPRESSOR 51000, 460/60/3 (M14, M15)
ZP51K5ETFE830	COMPRESSOR 51000, 575/60/3 (M16, M17)
ZP61KCETFE830	COMPRESSOR 61500, 575/60/3 (M22, M23)
0131M00008PS	COND MOTOR 1/3 HP, 1 SP, 6 PL (M18, M19)
B13400249	COND MOTOR 1/3 HP, 460V (M20, M21)
0131M00007PS	COND MOTOR 1/4 HP, 1 SP, 6 PL (M1, M2, M5, M6, M7, M12, M13)
B13400269	COND MOTOR 380/460 50/60 CYCLE (M3, M4, M8, M9, M14, M15)
0131M00098S	COND MOTOR 575V (M10, M11, M16, M17)
0131M00100S	COND MOTOR 575V (M22, M23)
CONT3P025024V	CONTACTOR 25 AMP, 3P, 24V (M3, M4, M8, M9, M10, M11, M14, M15, M16, M17, M20, M21, M22, M23)
CONT3P030024VS	CONTACTOR 30 AMP, 3P, 24V (M1, M2, M5, M6, M7, M12, M13, M18, M19)
0130M00055	CUT-OUT SWITCH, HIGH PRESSURE (M1, M2, M3, M4, M5, M7, M8, M9, M10, M11, M12, M13, M14, M15, M16, M17, M18, M19, M20, M21, M22, M23)
0130L00007	CUT-OUT SWITCH, LOW PRESSURE (M1, M2, M3, M4, M5, M7, M8, M9, M10, M11, M12, M13, M14, M15, M16, M17, M18, M19, M20, M21, M22, M23)
0130M00100	DEFROST CONTROL
PCBDM130	DEFROST CONTROL BOARD (M1, M2, M3, M4, M5, M7, M8, M9, M10, M11, M12, M13, M14, M15, M16, M17, M18, M19, M20, M21, M22, M23)
PCBDM160S	PCB, DEFROST CONTROL (M6)
PCBFM131S	PCB, TIME DELAY
B1141643	TRANSFORMER 208/230, 24V (M1, M2, M5, M6, M7, M12, M13, M18, M19)
B1141672	TRANSFORMER 480V, 75VA, RESETTABLE (M3, M4, M8, M9, M14, M15, M20, M21)
0130M00045S	TRANSFORMER 575/24V (M10, M11, M16, M17, M22, M23)

Expanded Model Nomenclature

M1 - CPH036XXX3BXJXBA
M2 - CPH036XXX3BXXXBA
M3 - CPH036XXX4BXJXBA
M4 - CPH036XXX4BXXXBA
M5 - CPH048XXX3BXJXBA
M6 - CPH048XXX3BXXBBB
M7 - CPH048XXX3BXXXBA
M8 - CPH048XXX4BXJXBA
M9 - CPH048XXX4BXXXBA
M10 - CPH048XXX7BXJXBA
M11 - CPH048XXX7BXXXBA
M12 - CPH060XXX3BXJXBA
M13 - CPH060XXX3BXXXBA
M14 - CPH060XXX4BXJXBA
M15 - CPH060XXX4BXXXBA
M16 - CPH060XXX7BXJXBA
M17 - CPH060XXX7BXXXBA
M18 - CPH072XXX3BXJXBA
M19 - CPH072XXX3BXXXBA
M20 - CPH072XXX4BXJXBA
M21 - CPH072XXX4BXXXBA
M22 - CPH072XXX7BXJXBA
M23 - CPH072XXX7BXXXBA

Top Panel/Tubing Assy

Image 1

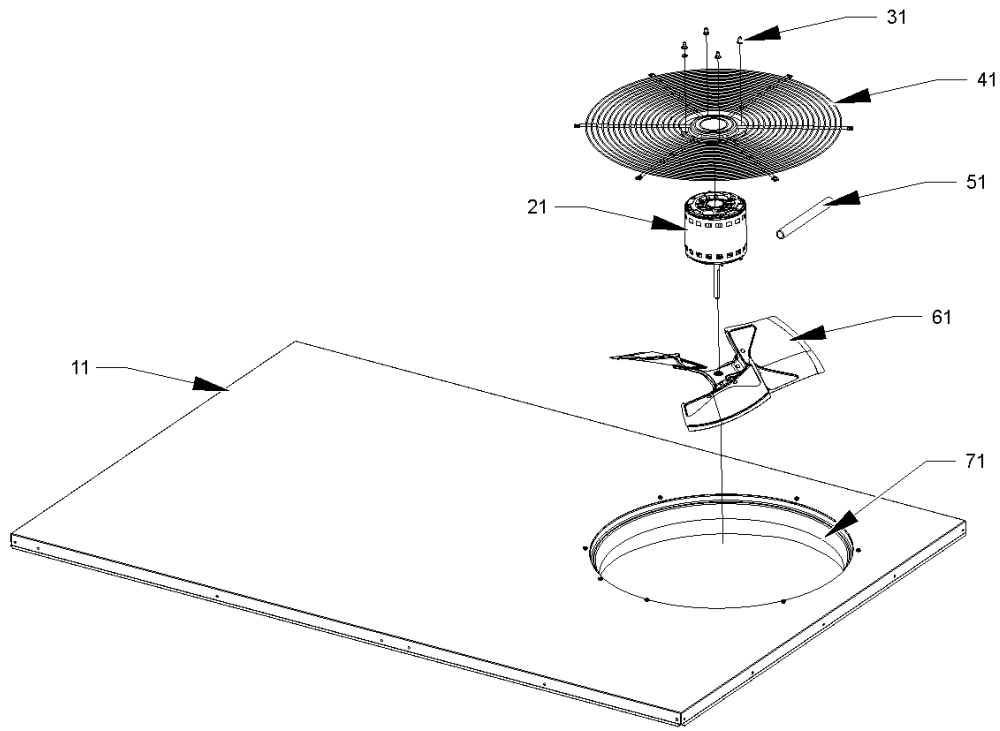
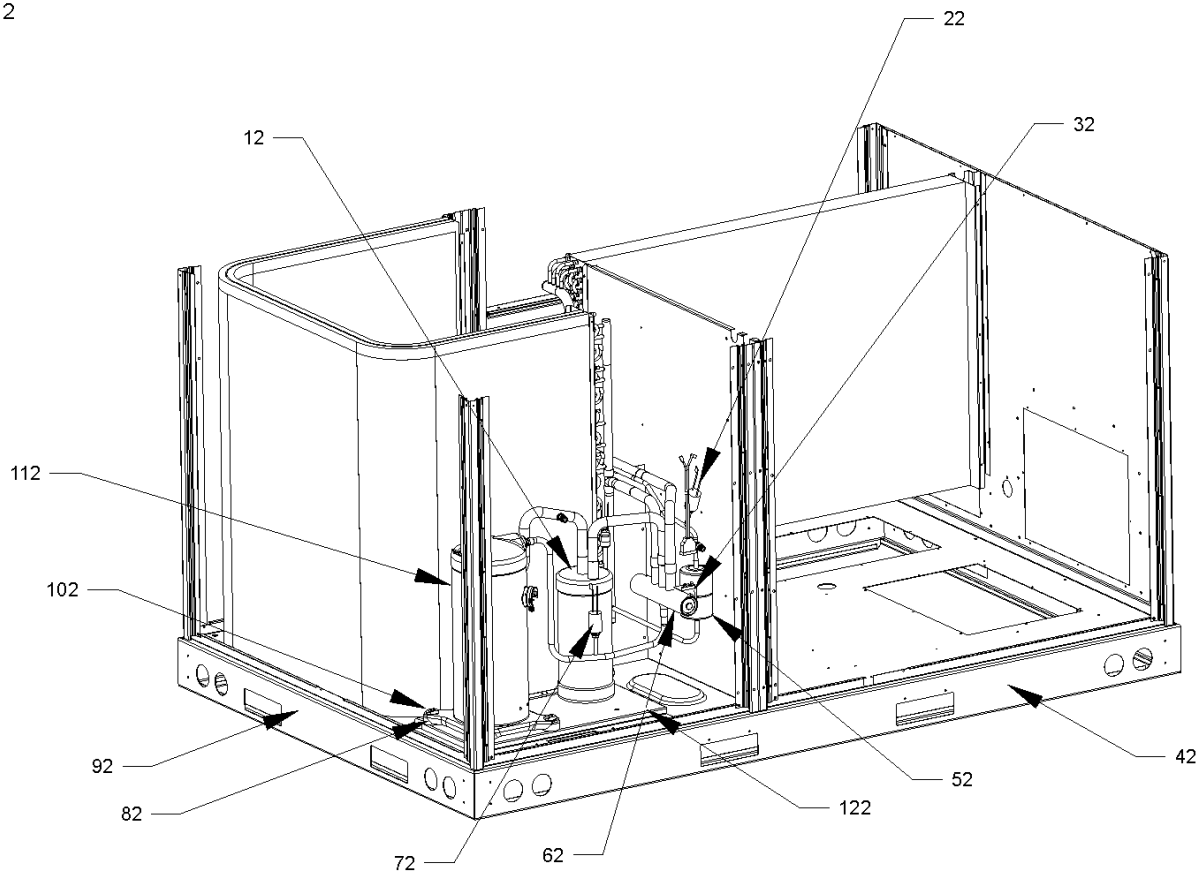


Image 2



Top Panel/Tubing Assy

Ref. Part
No: No:

Description:

Ref. Part
No: No:

Description:

Image 1:

11	0270L00086	INSULATED ASSY, TOP PANEL
21	0131M00008PS	COND MOTOR 1/3 HP, 1 SP, 6 PL (M18, M19)
21	B13400249	COND MOTOR 1/3 HP, 460V (M20, M21)
21	0131M00007PS	COND MOTOR 1/4 HP, 1 SP, 6 PL (M1, M2, M5, M6, M7, M12, M13)
21	B13400269	COND MOTOR 380/460 50/60 CYCLE (M3, M4, M8, M9, M14, M15)
21	0131M00098S	COND MOTOR 575V (M10, M11, M16, M17)
21	0131M00100S	COND MOTOR 575V (M22, M23)
31	0163M00006P	ACORN NUT 5/16 HEX BLACK (QTY 4)
41	0152G00002	FAN GRILLE
51	17788000083F	PVC CONDUIT 8.25"
61	0150G00001	FAN BLADE (M1, M2, M3, M4, M5, M6, M7, M8, M9, M10, M11, M12, M13, M14, M15, M16, M17, M22, M23)
61	B1086765S	FAN BLADE TYPE 3 (M18, M19, M20, M21)
71	0161L00000	VENTURI RING 22"
NS	B1373315	ACCESS FITTING (QTY 2)
NS	B9102097	CAP W/O RING (QTY 2)

Image 2:

12	B1226206	ACCUMULATOR (M1, M2, M3, M4)
12	B1226207	ACCUMULATOR .875 (M5, M6, M7, M8, M9, M10, M11, M12, M13, M14, M15, M16, M17, M18, M19, M20, M21, M22, M23)
22	0130L00007	CUT-OUT SWITCH, LOW PRESSURE (M1, M2, M3, M4, M5, M7, M8, M9, M10, M11, M12, M13, M14, M15, M16, M17, M18, M19, M20, M21, M22, M23)
32	B1225022S	SOLENOID COIL
42	0121L00244RF	SIDE RAIL (QTY 4)
52	20485201	BI-FLOW FILTER DRIER (M18, M19, M20, M21, M22, M23)
52	B1219204	BI-FLOW FILTER DRIER (M1, M2, M3, M4, M5, M6, M7, M8, M9, M10, M11, M12, M13, M14, M15, M16, M17)
62	0151M00019S	REVERSING VALVE (M1, M2, M3, M4)
62	0151M00021	REVERSING VALVE (M5, M6, M7, M8, M9, M10, M11, M12, M13, M14, M15, M16, M17, M18, M19, M20, M21, M22, M23)
72	0130M00055	CUT-OUT SWITCH, HIGH PRESSURE (M1, M2, M3, M4, M5, M7, M8, M9, M10, M11, M12, M13, M14, M15, M16, M17, M18, M19, M20, M21, M22, M23)
82	B1339533	COMPRESSOR GROMMET (QTY 4)
92	0121L00245S	RAIL-END (QTY 2)
102	M0221641	TF SHOULDER SCREW (QTY 4)
112	ZP39K5ETF5830	COMP, 39000,200/230/60/3 (M5, M6, M7)
112	ZP61KCETF5830	COMP, 61500,200/230/60/3 (M18, M19)
112	ZP61KCETFD830	COMP, 61500,460/60/3 (M20, M21)
112	ZP31K5ETF5830	COMPRESSOR 31200, 200/230/60/3 (M1, M2)
112	ZP31K5ETFD130	COMPRESSOR 31200, 460/60/3 (M3, M4)
112	ZP39K5ETFD130	COMPRESSOR 39000, 460/60/3 (M8, M9)
112	ZP39K5ETFE830	COMPRESSOR 39000, 575/60/3 (M10, M11)
112	ZP51K5ETF5130	COMPRESSOR 51000, 208/230/60/3 (M12, M13)
112	ZP51K5ETFD830	COMPRESSOR 51000, 460/60/3 (M14, M15)
112	ZP51K5ETFE830	COMPRESSOR 51000, 575/60/3 (M16, M17)
112	ZP61KCETFE830	COMPRESSOR 61500, 575/60/3 (M22, M23)
122	0121L00309	COMPRESSOR MOUNTING PLATE
NS	0159L00028	COMPRESSOR SCROLL HARNESS

Expanded Model Nomenclature

M1 - CPH036XXX3BXJXBA
M2 - CPH036XXX3BXXXBA
M3 - CPH036XXX4BXJXBA
M4 - CPH036XXX4BXXXBA
M5 - CPH048XXX3BXJXBA
M6 - CPH048XXX3BXXBBB
M7 - CPH048XXX3BXXXBA
M8 - CPH048XXX4BXJXBA
M9 - CPH048XXX4BXXXBA
M10 - CPH048XXX7BXJXBA
M11 - CPH048XXX7BXXXBA
M12 - CPH060XXX3BXJXBA
M13 - CPH060XXX3BXXXBA
M14 - CPH060XXX4BXJXBA
M15 - CPH060XXX4BXXXBA
M16 - CPH060XXX7BXJXBA
M17 - CPH060XXX7BXXXBA
M18 - CPH072XXX3BXJXBA
M19 - CPH072XXX3BXXXBA
M20 - CPH072XXX4BXJXBA
M21 - CPH072XXX4BXXXBA
M22 - CPH072XXX7BXJXBA
M23 - CPH072XXX7BXXXBA

Cabinet Assy

Image 1

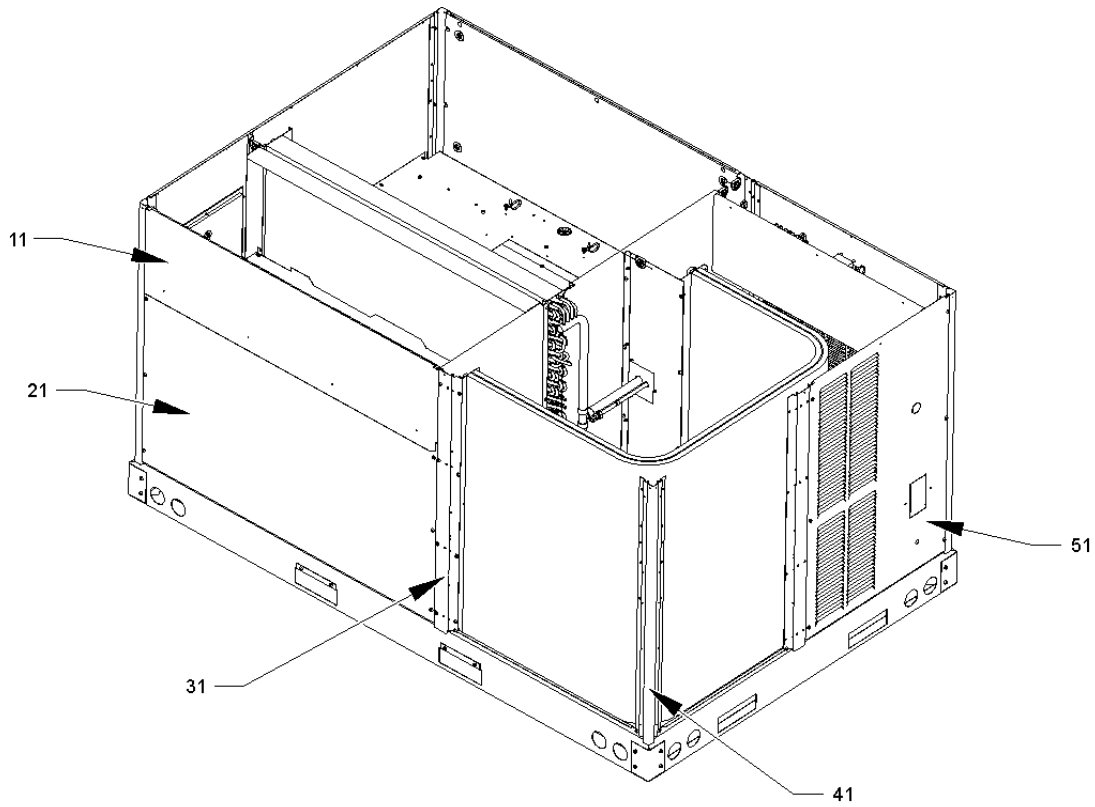
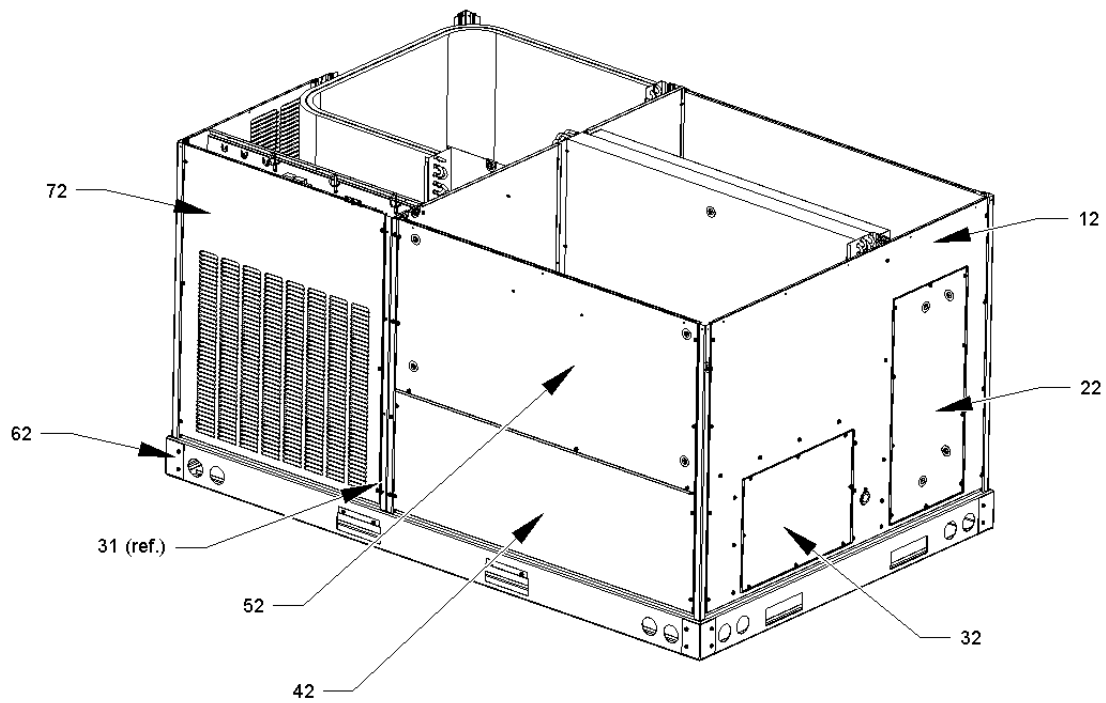


Image 2



Cabinet Assy

Ref. Part No: No:	Description:	Ref. Part No: No:	Description:
Image 1:		Expanded Model Nomenclature	
11	0270L00080 INSULATED ASSY, FILTER DOOR (M1, M2, M3, M4, M5, M6, M7, M8, M9, M10, M11, M12, M13, M14, M15, M16, M17)	M1 - CPH036XXX3BXJXBA	
11	0270L00139 INSULATED ASSY, FILTER DOOR (M18, M19, M20, M21, M22, M23)	M2 - CPH036XXX3BXXXBA	
21	0270L00081 INSULATED ASSY, ECONOMIZER DOOR	M3 - CPH036XXX4BXJXBA	
31	0121L00233RFDG POST-SIDE SUPPORT (M1, M2, M3, M4, M5, M6, M7, M8, M9, M10, M11, M12, M13, M14, M15, M16, M17)	M4 - CPH036XXX4BXXXBA	
31	0121L00343RFDG POST-SIDE SUPPORT (M18, M19, M20, M21, M22, M23)	M5 - CPH048XXX3BXJXBA	
41	0121L00344RFDGS POST-CORNER, RF PAINTED (M18, M19, M20, M21, M22, M23)	M6 - CPH048XXX3BXXBBB	
41	0121L00237RFDGS RF, PNT. POST CORNER (M1, M2, M3, M4, M5, M6, M7, M8, M9, M10, M11, M12, M13, M14, M15, M16, M17)	M7 - CPH048XXX3BXXXBA	
51	0121L00263DG LOUVERED COMPRESSOR PANEL (M1, M2, M3, M4, M5, M6, M7, M8, M9, M10, M11, M12, M13, M14, M15, M16, M17)	M8 - CPH048XXX4BXJXBA	
51	0121L00354DGS PANEL-COMPRESSOR LOUVERS,PAINT (M18, M19, M20, M21, M22, M23)	M9 - CPH048XXX4BXXXBA	
NS	0130M00065 CIRCUIT BREAKER, CONVENIENCE OUTLET (M6)	M10 - CPH048XXX7BXJXBA	
NS	0270L00107 GFCI CONVENIENCE OUTLET - NP (M6)	M11 - CPH048XXX7BXXXBA	
NS	0121L00321 SMOKE DETECTOR COVER	M12 - CPH060XXX3BXJXBA	
NS	0130M00061 TRANSFORMER, CONVENIENCE OUTLET (M6)	M13 - CPH060XXX3BXXXBA	
Image 2:		M14 - CPH060XXX4BXJXBA	
12	0270L00079 INSULATED ASSY, DUCT PANEL (M1, M2, M3, M4, M5, M6, M7, M8, M9, M10, M11, M12, M13, M14, M15, M16, M17)	M15 - CPH060XXX4BXXXBA	
12	0270L00145 INSULATED ASSY, DUCT PANEL (M18, M19, M20, M21, M22, M23)	M16 - CPH060XXX7BXJXBA	
22	0270L00011S INSULATED ASSY, RETURN DUCT	M17 - CPH060XXX7BXXXBA	
32	0270L00012S INSULATED ASSY, SUPPLY DUCT	M18 - CPH072XXX3BXJXBA	
42	0121L00279 DOOR-ELECTRIC HEAT	M19 - CPH072XXX3BXXXBA	
52	0270L00084 INSULATED ASSY, BLOWER DOOR (M1, M2, M3, M4, M5, M6, M7, M8, M9, M10, M11, M12, M13, M14, M15, M16, M17)	M20 - CPH072XXX4BXJXBA	
52	0270L00146 INSULATED ASSY, BLOWER DOOR (M18, M19, M20, M21, M22, M23)	M21 - CPH072XXX4BXXXBA	
62	0121G00301 RAIL CORNER BRACKET (QTY 4)	M22 - CPH072XXX7BXJXBA	
72	0121L00262DG LOUVERED CONTROL PANEL (M1, M2, M3, M4, M5, M6, M7, M8, M9, M10, M11, M12, M13, M14, M15, M16, M17)	M23 - CPH072XXX7BXXXBA	
72	0121L00353DGS LOUVERED CONTROL PANEL (M18, M19, M20, M21, M22, M23)		

Partition Assy

Image 1

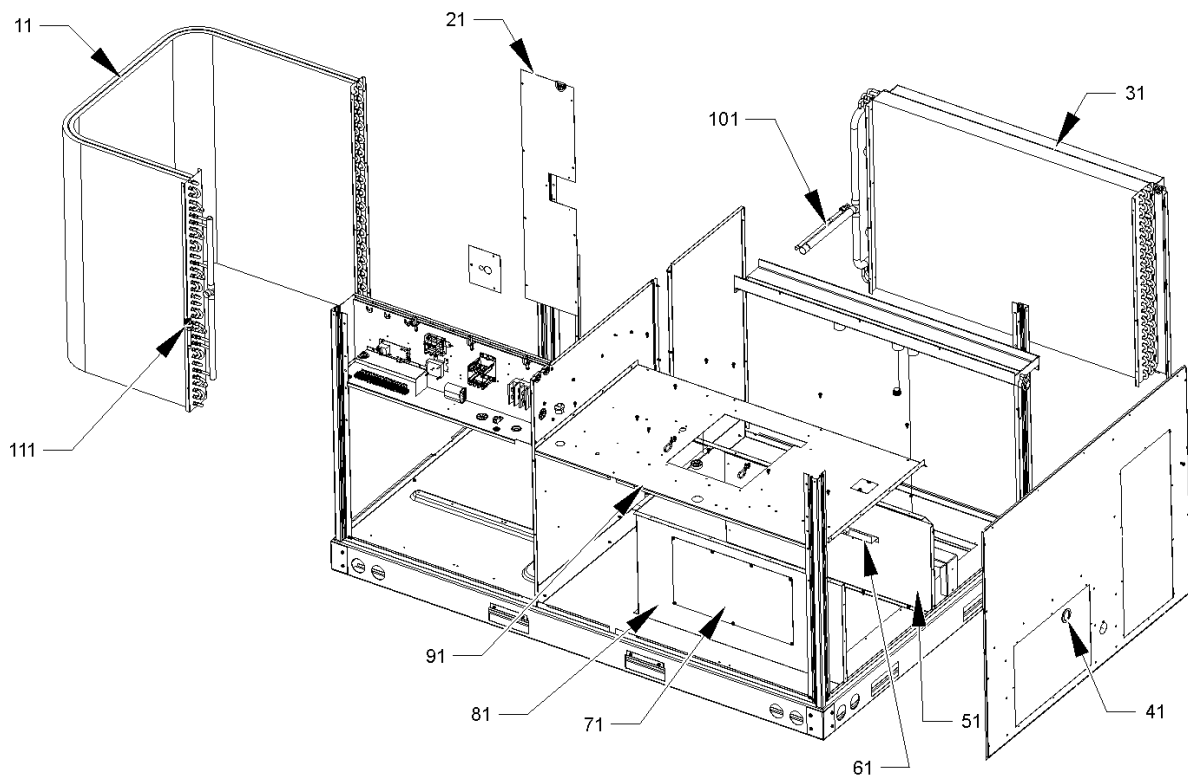
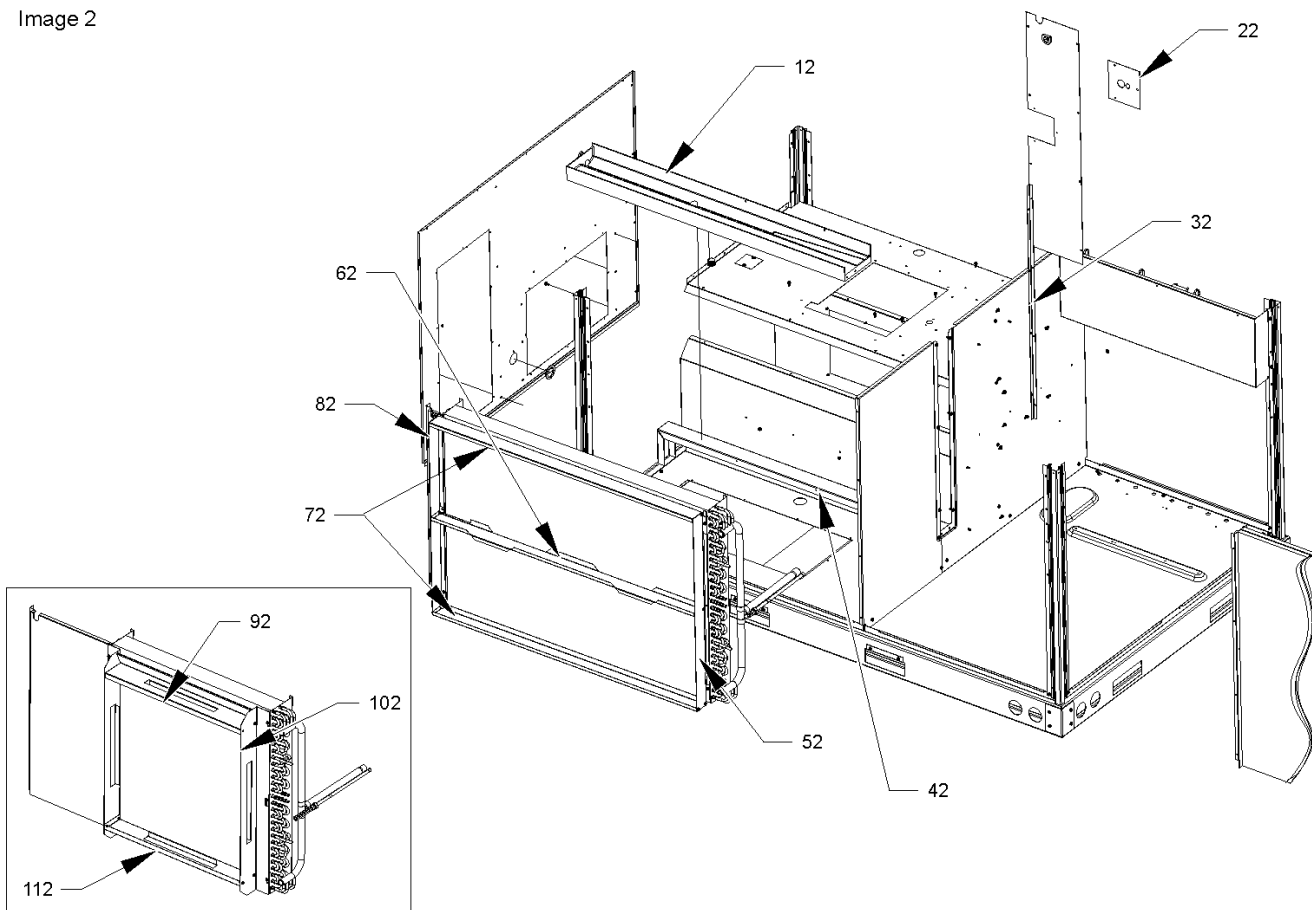


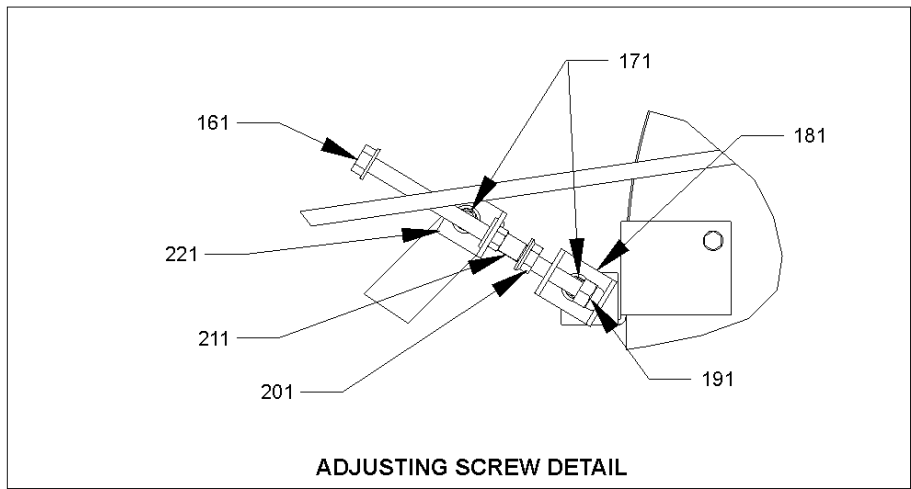
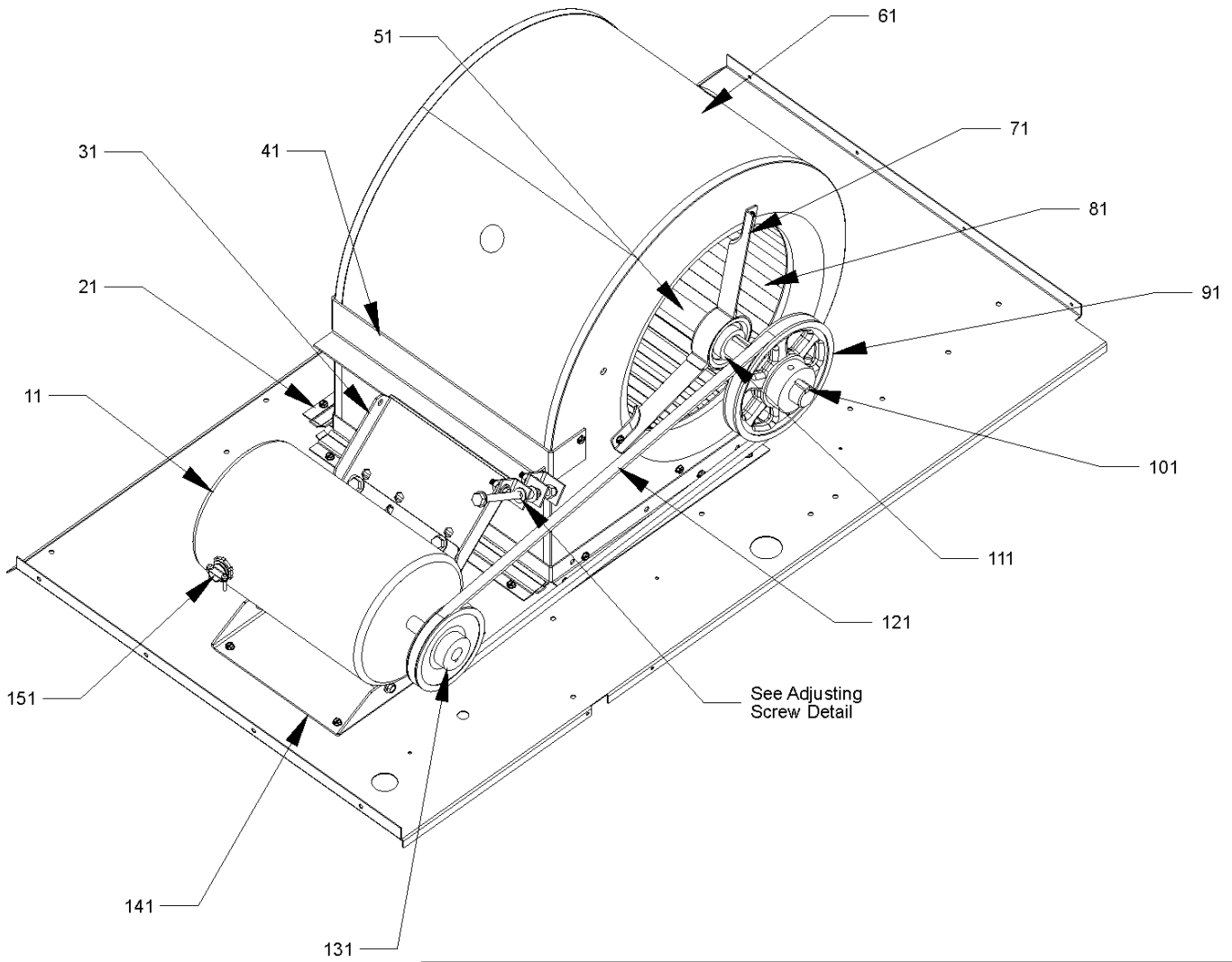
Image 2



Partition Assy

Ref. Part No: No:	Description:	Ref. Part No: No:	Description:		
Image 1:		Image 2:			
11	0201L00038S CONDENSER COIL TUBING ASSY (M2, M4)	52	0121L00357 FILTER ANGLE-VERTICAL (RETURN SIDE) (M18, M19, M20, M21, M22, M23)		
11	0201L00039S CONDENSER COIL TUBING ASSY (M13, M15, M17)	62	0121L00298 FILTER ANGLE-HORIZONTAL (CENTER) (M5, M6, M7, M8, M9, M10, M11, M12, M13, M14, M15, M16, M17, M18, M19, M20, M21, M22, M23)		
11	0201L00040S CONDENSER COIL TUBING ASSY (M6, M7, M9, M11)	72	0121L00286 FILTER ANGLE-HORIZONTAL (M5, M6, M7, M8, M9, M10, M11, M12, M13, M14, M15, M16, M17, M18, M19, M20, M21, M22, M23)		
11	0201L00043S CONDENSER COIL TUBING ASSY (M12, M14, M16)	82	0121L00303 FILTER ANGLE-VERTICAL (HAIRPIN SIDE) (M5, M6, M7, M8, M9, M10, M11, M12, M13, M14, M15, M16, M17)		
11	0201L00044S CONDENSER COIL TUBING ASSY (M5, M8, M10)	82	0121L00358 FILTER ANGLE-VERTICAL (HAIRPIN SIDE) (M18, M19, M20, M21, M22, M23)		
11	0201L00047S CONDENSER COIL TUBING ASSY (M1, M3)	92	0121L00290 FILTER ANGLE-TOP (M1, M2, M3, M4)		
11	0201L00053S CONDENSER COIL TUBING ASSY (M19, M21, M23)	102	0121L00292 FILTER ANGLE-VERTICAL (M1, M2, M3, M4)		
11	0201L00053S CONDENSER COIL TUBING ASSY (M18, M20, M22)	112	0121L00291 FILTER ANGLE-BOTTOM (M1, M2, M3, M4)		
21	0121L00311 COND BLOCK-OFF (M1, M2, M3, M4, M5, M6, M7, M8, M9, M10, M11, M12, M13, M14, M15, M16, M17)	NS	0160L00008 FILTER 14 X 20 X 2 (M5, M6, M7, M8, M9, M10, M11, M12, M13, M14, M15, M16, M17)		
21	0121L00348 COND BLOCK-OFF (M18, M19, M20, M21, M22, M23)	NS	B1369608 FILTER 20 X 16 X 2 (M18, M19, M20, M21, M22, M23)		
31	0202L00020S EVAPORATOR COIL TUBING ASSY (M12, M13, M14, M15, M16, M17)	NS	0160L00046 FILTER 24 X 24 (M1, M2, M3, M4)		
31	0202L00026S EVAPORATOR COIL TUBING ASSY (M1, M2, M3, M4)	Expanded Model Nomenclature			
31	0202L00029S EVAPORATOR COIL TUBING ASSY (M5, M6, M7, M8, M9, M10, M11)	<div style="border: 1px solid black; padding: 5px;"> M1 - CPH036XXX3BXJXBA M2 - CPH036XXX3BXXBBA M3 - CPH036XXX4BXJXBA M4 - CPH036XXX4BXXBBA M5 - CPH048XXX3BXJXBA M6 - CPH048XXX3BXXBBB M7 - CPH048XXX3BXXBBA M8 - CPH048XXX4BXJXBA M9 - CPH048XXX4BXXBBA M10 - CPH048XXX7BXJXBA M11 - CPH048XXX7BXXBBA M12 - CPH060XXX3BXJXBA M13 - CPH060XXX3BXXBBA M14 - CPH060XXX4BXJXBA M15 - CPH060XXX4BXXBBA M16 - CPH060XXX7BXJXBA M17 - CPH060XXX7BXXBBA M18 - CPH072XXX3BXJXBA M19 - CPH072XXX3BXXBBA M20 - CPH072XXX4BXJXBA M21 - CPH072XXX4BXXBBA M22 - CPH072XXX7BXJXBA M23 - CPH072XXX7BXXBBA </div>			
31	0202L00032S EVAPORATOR COIL TUBING ASSY (M18, M19, M20, M21, M22, M23)				
41	0154L00009 DRAIN PAN GASKET (M1, M2, M3, M4, M5, M6, M7, M8, M9, M10, M11, M12, M13, M14, M15, M16, M17)				
51	0121L00243 DECK SIDE CHANNEL				
61	0121L00288 ELECTRIC HEAT RETAINER				
71	0121L00144 ELECTRIC HEAT COVER				
81	0121L00256 ELECTRIC HEAT PANEL				
91	0121L00793 BLOWER DECK				
101	0162L00012S EVAP FLOWRATOR (M12, M13, M14, M15, M16, M17)				
101	0162M00097S EVAP FLOWRATOR (M1, M2, M3, M4)				
101	0162M00108 FLOWRATOR .076 (M5, M6, M7, M8, M9, M10, M11)				
101	0162M00121 FLOWRATOR [EVAP] (M18, M19, M20, M21, M22, M23)				
111	0162M00096 FLOWRATOR (M1, M2, M3, M4)				
111	0162M00106 FLOWRATOR .057 (M5, M6, M7, M8, M9, M10, M11)				
111	0162M00060 FLOWRATOR .065 (M12, M13, M14, M15, M16, M17)				
111	0162M00120 FLOWRATOR .080 [COND] (M18, M19, M20, M21, M22, M23)				
NS	0130M00100 DEFROST CONTROL				
Image 2:					
12	0161L00005 DRAIN PAN				
22	0121L00324 COND BLOCK-OFF PLATE				
32	0121L00254 COND MOUNTING ANGLE (M1, M2, M3, M4, M5, M6, M7, M8, M9, M10, M11, M12, M13, M14, M15, M16, M17)				
32	0121L00349 COND MOUNTING ANGLE (M18, M19, M20, M21, M22, M23)				
42	0121L00238 DRAIN PAN SUPPORT				
52	0121L00287 FILTER ANGLE-VERTICAL (RETURN SIDE) (M5, M6, M7, M8, M9, M10, M11, M12, M13, M14, M15, M16, M17)				

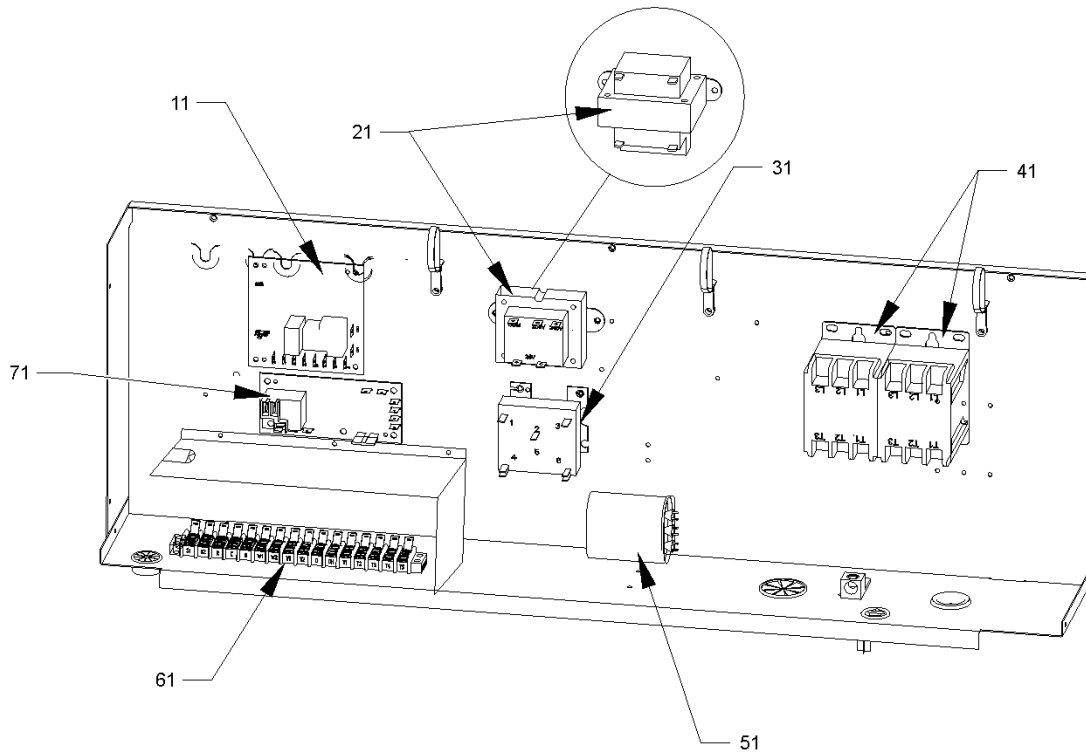
Belt Drive Assy



Belt Drive Assy

Ref. Part No: No:	Description:	Ref. Part No: No:	Description:
Image 1:		Expanded Model Nomenclature	
11	0131L00003 BELT DRIVE MOTOR 1 HP (M1, M2, M3, M4, M5, M6, M7, M8, M9, M12, M13, M14, M15)	M1	CPH036XXX3BXJXBA
11	B3240007 BELT DRIVE MOTOR 1.5 HP (M18, M19, M20, M21)	M2	CPH036XXX3BXXXBA
11	0131L00004S BELT DRIVE MOTOR 1.5 HP 575V (M10, M11, M16, M17, M22, M23)	M3	CPH036XXX4BXJXBA
21	0121L00297 BLOWER SIDE ANGLE (QTY 3)	M4	CPH036XXX4BXXXBA
31	0121L00271 MOTOR MOUNT PLATE	M5	CPH048XXX3BXJXBA
41	0121L00272 MOTOR MOUNT ANGLE	M6	CPH048XXX3BXXBBB
51	0163L00005 BELT DRIVE BLOWER SHAFT	M7	CPH048XXX3BXXXBA
61	2539302FS BLOWER HOUSING 11 X 10	M8	CPH048XXX4BXJXBA
71	B3201300 MOUNTING BRACKET BEARING (QTY 2)	M9	CPH048XXX4BXXXBA
81	B1368056 BELT DRIVE BLOWER WHEEL	M10	CPH048XXX7BXJXBA
91	B2120011 FIXED SHEAVE (M1, M2, M3, M4)	M11	CPH048XXX7BXXXBA
91	0163L00031 FIXED SHEAVE AK59 (M18, M19, M20, M21, M22, M23)	M12	CPH060XXX3BXJXBA
91	B3204303 FIXED SHEAVE AK61 (M12, M13, M14, M15, M16, M17)	M13	CPH060XXX3BXXXBA
91	B3204310 FIXED SHEAVE AK66 (M5, M6, M7, M8, M9, M10, M11)	M14	CPH060XXX4BXJXBA
101	B1398604 STEEL KEY (000158812) 2.0"	M15	CPH060XXX4BXXXBA
111	B1399500 BALL BEARING 1.00" (QTY 2)	M16	CPH060XXX7BXJXBA
121	0164L00002 FAN BELT, NOTCHED (M12, M13, M14, M15, M16, M17, M18, M19, M20, M21, M22, M23)	M17	CPH060XXX7BXXXBA
121	0164L00003 FAN BELT, NOTCHED (M1, M2, M3, M4, M5, M6, M7, M8, M9, M10, M11)	M18	CPH072XXX3BXJXBA
131	0163L00024 VARIABLE PITCH SHEAVE 1VL40 X 5/8" (M1, M2, M3, M4)	M19	CPH072XXX3BXXXBA
131	B2120001 VARIABLE PITCH SHEAVE 1VL44 X 3/8" (M5, M6, M7, M8, M9, M10, M11, M12, M13, M14, M15, M16, M17, M22, M23)	M20	CPH072XXX4BXJXBA
131	B2120014 VARIABLE PITCH SHEAVE 1VL44 X 7/8" (M18, M19, M20, M21)	M21	CPH072XXX4BXXXBA
141	0121L00792 MOTOR PIVOT ANGLE	M22	CPH072XXX7BXJXBA
151	B1393726 ELECT. CONNECTING BUSHING	M23	CPH072XXX7BXXXBA
161	0163M00054 BOLT		
171	B1393738 BOLT 1/4-20 X 3/4" (QTY 8)		
181	0121L00274 MOTOR ADJUST BRACKET		
191	0163M00055 ACORN NUT 5/16 X 18		
201	B1393020 FLANGED LOCKNUT 5/16-18TPI		
211	B1393027 HEX NUT INSERT 5/16-18 (QTY 5)		
221	0121L00275 MOUNTING BRACKET INSERT		
NS	1864703F BLOWER CUT-OFF		
NS	B1398603 STEEL KEY (000158812) 4.5"		

Control Box Assy



Control Box Assy

Ref. Part No: No:	Description:	Ref. Part No: No:	Description:
Image 1:		Expanded Model Nomenclature	
11	PCBDM130	DEFROST CONTROL BOARD (M1, M2, M3, M4, M5, M7, M8, M9, M10, M11, M12, M13, M14, M15, M16, M17, M18, M19, M20, M21, M22, M23)	M1 - CPH036XXX3BXJXBA M2 - CPH036XXX3BXXXBA M3 - CPH036XXX4BXJXBA M4 - CPH036XXX4BXXXBA M5 - CPH048XXX3BXJXBA M6 - CPH048XXX3BXXBBB M7 - CPH048XXX3BXXXBA M8 - CPH048XXX4BXJXBA M9 - CPH048XXX4BXXXBA M10 - CPH048XXX7BXJXBA M11 - CPH048XXX7BXXXBA M12 - CPH060XXX3BXJXBA M13 - CPH060XXX3BXXXBA M14 - CPH060XXX4BXJXBA M15 - CPH060XXX4BXXXBA M16 - CPH060XXX7BXJXBA M17 - CPH060XXX7BXXXBA M18 - CPH072XXX3BXJXBA M19 - CPH072XXX3BXXXBA M20 - CPH072XXX4BXJXBA M21 - CPH072XXX4BXXXBA M22 - CPH072XXX7BXJXBA M23 - CPH072XXX7BXXXBA
11	PCBDM160S	PCB, DEFROST CONTROL (M6)	
21	B1141643	TRANSFORMER 208/230, 24V (M1, M2, M5, M6, M7, M12, M13, M18, M19)	
21	B1141672	TRANSFORMER 480V, 75VA, RESETTABLE (M3, M4, M8, M9, M14, M15, M20, M21)	
21	0130M00045S	TRANSFORMER 575/24V (M10, M11, M16, M17, M22, M23)	
31	0130M00025S	24V RELAY (M3, M4, M8, M9, M10, M11, M14, M15, M16, M17, M20, M21, M22, M23)	
41	CONT3P025024V	CONTACTOR 25 AMP, 3P, 24V (M3, M4, M8, M9, M10, M11, M14, M15, M16, M17, M20, M21, M22, M23)	
41	CONT3P030024VS	CONTACTOR 30 AMP, 3P, 24V (M1, M2, M5, M6, M7, M12, M13, M18, M19)	
51	CAP050000370VAS	CAPACITOR 5/370V	
61	0130M00038	TERMINAL BOARD	
71	PCBFM131S	PCB, TIME DELAY	
NS	20520901	CAPACITOR STRAP (QTY 4)	
NS	0259L00076	CONTROL HARNESS (M1, M2, M3, M4, M5, M7, M8, M9, M10, M11, M12, M13, M14, M15, M16, M17, M18, M19, M20, M21, M22, M23)	
NS	0259L00077	DEFROST HARNESS (M1, M2, M5, M6, M7, M12, M13, M18, M19)	
NS	0259L00078	DEFROST HARNESS (M3, M4, M8, M9, M10, M11, M14, M15, M16, M17, M20, M21, M22, M23)	
NS	0259L00122	WIRE HARNESS, CONTROL (M6)	
NS	0259L00057	WIRING HARNESS	
NS	0259L00061	WIRING HARNESS	
NS	0259L00065	WIRING HARNESS (M1, M2, M3, M4, M5, M6, M7, M8, M9, M10, M11, M12, M13, M14, M15, M16, M17)	
NS	0259L00070	WIRING HARNESS (M1, M2, M5, M6, M7, M10, M11, M12, M13, M16, M17, M18, M19, M22, M23)	
NS	0259L00071	WIRING HARNESS (M3, M4, M8, M9, M14, M15, M20, M21)	
NS	0259L00094	WIRING HARNESS (M18, M19, M20, M21, M22, M23)	