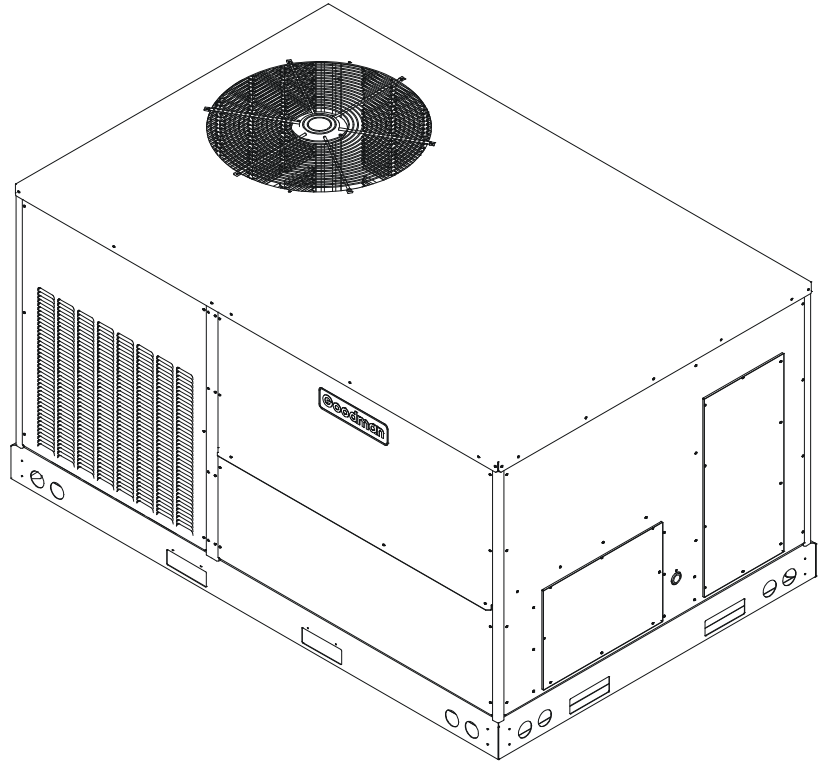


REPAIR PARTS

Commercial 3 - 6 Ton Package Heat Pumps

CPH0360103HXJXBB
CPH036XXX3BXJXBB
CPH036XXX3BXXXBB
CPH036XXX4BXJXBB
CPH036XXX4BXXXBB
CPH036XXX7BXJXBB
CPH036XXX7BXXXBB
CPH0480103HXJXBB
CPH048XXX3BXJXBB
CPH048XXX3BXXXBB
CPH048XXX4BXJXBB
CPH048XXX4BXXXBB
CPH048XXX7BXJXBB
CPH048XXX7BXXXBB
CPH0600103HXJXBB
CPH060XXX3BJABBB
CPH060XXX3BXJXBB
CPH060XXX3BXXXBB
CPH060XXX4BXJXBB
CPH060XXX4BXXXBB
CPH060XXX7BXJXBB
CPH060XXX7BXXXBB
CPH0720103HXJXBB
CPH072XXX3BHxzBB
CPH072XXX3BXJXBB
CPH072XXX3BXXXBB
CPH072XXX4BXJXBB
CPH072XXX4BXXXBB
CPH072XXX7BXJXBB
CPH072XXX7BXXXBB



This manual is to be used by qualified technicians only.

This manual replaces RP-633B.

© 2010,2012,2016 Goodman Manufacturing Company, L.P. ♦ 5151 San Felipe St., Suite 500 ♦ Houston, TX 77056

Important Information

Index

Functional Parts List	3
Illustration and Parts	4 - 17

Views shown are for parts illustrations only, not servicing procedures

Text Codes:

AR - As Required

NA - Not Available

NS - Not Shown

00000000 - See Note

QTY - Quantity Example (QTY 3) (If Quantity not shown, Quantity = 1)

M - Model Example (M1) (If M Code not shown, then part is used on all Models)

Expanded Model Nomenclature:

Example M1 - Model#1 M2 - Model#2 M3 - Model#3

Goodman Manufacturing Company, L.P. is not responsible for personal injury or property damage resulting from improper service. Review all service information before beginning repairs.

Warranty service must be performed by an authorized technician, using authorized factory parts. If service is required after the warranty expires, Goodman Manufacturing Company, L.P. also recommends contacting an authorized technician and using authorized factory parts.

Goodman Manufacturing Company, L.P. reserves the right to discontinue, or change at any time, specifications or designs without notice or without incurring obligations.

For assistance within the U.S.A. contact:
Consumer Affairs Department
Goodman Manufacturing Company, L.P.
7401 Security Way
Houston, Texas 77040
877-254-4729-Telephone
713-863-2382-Facsimile

For assistance outside the U.S.A. contact:
International Division
Goodman Manufacturing Company, L.P.
7401 Security Way
Houston, Texas 77040
713-861-2500-Telephone
713-863-2382-Facsimile

Functional Parts

Part

No: Description:

0130M00025	24V RELAY (M3, M4, M5, M6, M10, M11, M12, M13, M18, M19, M20, M21, M26, M27, M28, M29)	0162M00106	FLOWRATOR .057 (M8, M9, M10, M11, M12, M13, M14)
B1226206	ACCUMULATOR (M1, M2, M3, M4, M5, M6, M7)	0162M00060	FLOWRATOR .065 (M15, M16, M17, M18, M19, M20, M21, M22)
B1226207	ACCUMULATOR .875 (M8, M9, M10, M11, M12, M13, M14, M15, M16, M17, M18, M19, M20, M21, M22, M23, M24, M25, M26, M27, M28, M29, M30)	0162M00108	FLOWRATOR .076 (M8, M9, M10, M11, M12, M13, M14)
B1368056	BELT DRIVE BLOWER WHEEL	0162M00120	FLOWRATOR .080 [COND] (M23, M24, M25, M26, M27, M28, M29, M30)
0131L00003	BELT DRIVE MOTOR 1 HP (M1, M2, M3, M4, M8, M9, M10, M11, M15, M16, M17, M18, M19)	0162L00012	FLOWRATOR [EVAP] (M15, M16, M17, M18, M19, M20, M21, M22)
B3240007	BELT DRIVE MOTOR 1.5 HP (M7, M14, M22, M23, M24, M25, M26, M27)	0162M00121	FLOWRATOR [EVAP] (M23, M24, M25, M26, M27, M28, M29, M30)
0131L00004	BELT DRIVE MOTOR 1.5 HP 575V (M5, M6, M12, M13, M20, M21, M28, M29)	PCBDM160	PCB, DEFROST CONTROL
B3240006	BELT DRIVE MOTOR 2 HP (M30)	0151M00019	REVERSING VALVE (M1, M2, M3, M4, M5, M6, M7)
CAP050000370VA	CAPACITOR 5/370V	0151M00021	REVERSING VALVE (M8, M9, M10, M11, M12, M13, M14, M15, M16, M17, M18, M19, M20, M21, M22, M23, M24, M25, M26, M27, M28, M29, M30)
ZP31K5ETFE130	COMPRESSOR 31100, 575/60/3 (M5, M6)	B1141643	TRANSFORMER 208/230, 24V (M1, M2, M7, M8, M9, M14, M15, M16, M17, M22, M24, M25, M30)
ZP31K5ETF130	COMPRESSOR 31200, 200/230/60/3 (M1, M2, M7)	B1141653	TRANSFORMER 480V, 75VA, RESETTABLE (M3, M4, M10, M11, M18, M19, M26, M27)
ZP31K5ETFD130	COMPRESSOR 31200, 460/60/3 (M3, M4)	0130M00045	TRANSFORMER 575/24V (M5, M6, M12, M13, M20, M21, M28, M29)
ZP39K5ETF130	COMPRESSOR 39000, 200/230/60/3 (M8, M9, M14)	Expanded Model Nomenclature	
ZP39K5ETFD130	COMPRESSOR 39000, 460/60/3 (M10, M11)	M1 - CPH036XXX3BXJXBB	
ZP39K5ETFE1830	COMPRESSOR 39000, 575/60/3 (M12, M13)	M2 - CPH036XXX3BXXBB	
ZP51K5ETF130	COMPRESSOR 51000, 208/230/60/3 (M15, M16, M17, M22)	M3 - CPH036XXX4BXJXBB	
ZP51K5ETFD130	COMPRESSOR 51000, 460/60/3 (M18, M19)	M4 - CPH036XXX4BXXBB	
ZP51K5ETFE130	COMPRESSOR 51000, 575/60/3 (M20, M21)	M5 - CPH036XXX7BXJXBB	
ZP61KCETF130	COMPRESSOR 61500, 200/230/60/3 (M23, M24, M25, M30)	M6 - CPH036XXX7BXXBB	
ZP61KCETFD130	COMPRESSOR 61500, 460/60/3 (M26, M27)	M7 - CPH0360103HXJXBB	
ZP61KCETFE130	COMPRESSOR 61500, 575/60/3 (M28, M29)	M8 - CPH048XXX3BXJXBB	
0131M00008P	COND MOTOR 1/3 HP, 1 SP, 6 PL (M23, M24, M25, M30)	M9 - CPH048XXX3BXXBB	
B13400249	COND MOTOR 1/3 HP, 460V (M26, M27)	M10 - CPH048XXX4BXJXBB	
0131M00179	COND MOTOR 1/3 HP, 6 PL, 575V (M28, M29)	M11 - CPH048XXX4BXXBB	
0131M00007P	COND MOTOR 1/4 HP, 1 SP, 6 PL (M1, M2, M7, M8, M9, M14, M15, M16, M17, M22)	M12 - CPH048XXX7BXJXBB	
B13400269	COND MOTOR 380/460 50/60 CYCLE (M3, M4, M10, M11, M18, M19)	M13 - CPH048XXX7BXXBB	
0131M00098	COND MOTOR 575V (M5, M6, M12, M13, M20, M21)	M14 - CPH0480103HXJXBB	
CONT3P025024V	CONTACTOR 25 AMP, 3P, 24V (M3, M4, M5, M6, M10, M11, M12, M13, M18, M19, M20, M21, M26, M27, M28, M29)	M15 - CPH060XXX3BJABBB	
CONT3P030024V	CONTACTOR 30 AMP, 3P, 24V (M1, M2, M7, M8, M9, M14, M15, M16, M17, M22, M23, M24, M25, M30)	M16 - CPH060XXX3BXJXBB	
0130L00019	CRANK CASE HEATER, 70W, 575V (M28, M29)	M17 - CPH060XXX3BXXBB	
0130L00017	CRANK CASE HEATER-70W 240V (M23, M24, M25, M30)	M18 - CPH060XXX4BXJXBB	
0130L00018	CRANK CASE HEATER-70W, 480V (M26, M27)	M19 - CPH060XXX4BXXBB	
0230L00001	CRANKCASE HEATER (M26, M27)	M20 - CPH060XXX7BXJXBB	
0230L00003	CRANKCASE HEATER (M28, M29)	M21 - CPH060XXX7BXXBB	
0230L00002	CRANKCASE HEATER SWITCH (M26, M27, M28, M29)	M22 - CPH0600103HXJXBB	
0130M00074	CUT-OUT SWITCH, HIGH PRESSURE	M23 - CPH072XXX3BHxzBB	
0130M00075	CUT-OUT SWITCH, LOW PRESSURE	M24 - CPH072XXX3BXJXBB	
PCBFM131	ELECTRONIC BLOWER TIME DELAY	M25 - CPH072XXX3BXXBB	
0164L00010	FAN BELT, NOTCHED	M26 - CPH072XXX4BXJXBB	
0150G00001	FAN BLADE (M1, M2, M3, M4, M5, M6, M7, M8, M9, M10, M11, M12, M13, M14, M15, M16, M17, M18, M19, M20, M21, M22, M28, M29)	M27 - CPH072XXX4BXXBB	
B1086765S	FAN BLADE TYPE 3 (M23, M24, M25, M26, M27, M30)	M28 - CPH072XXX7BXJXBB	
0162M00096	FLOWRATOR (M1, M2, M3, M4, M7)	M29 - CPH072XXX7BXXBB	
0162M00097	FLOWRATOR (M1, M2, M3, M4, M5, M6, M7)	M30 - CPH0720103HXJXBB	
0162M00114	FLOWRATOR .053 (M5, M6)		

Top Panel / Tubing Assembly

Image 1

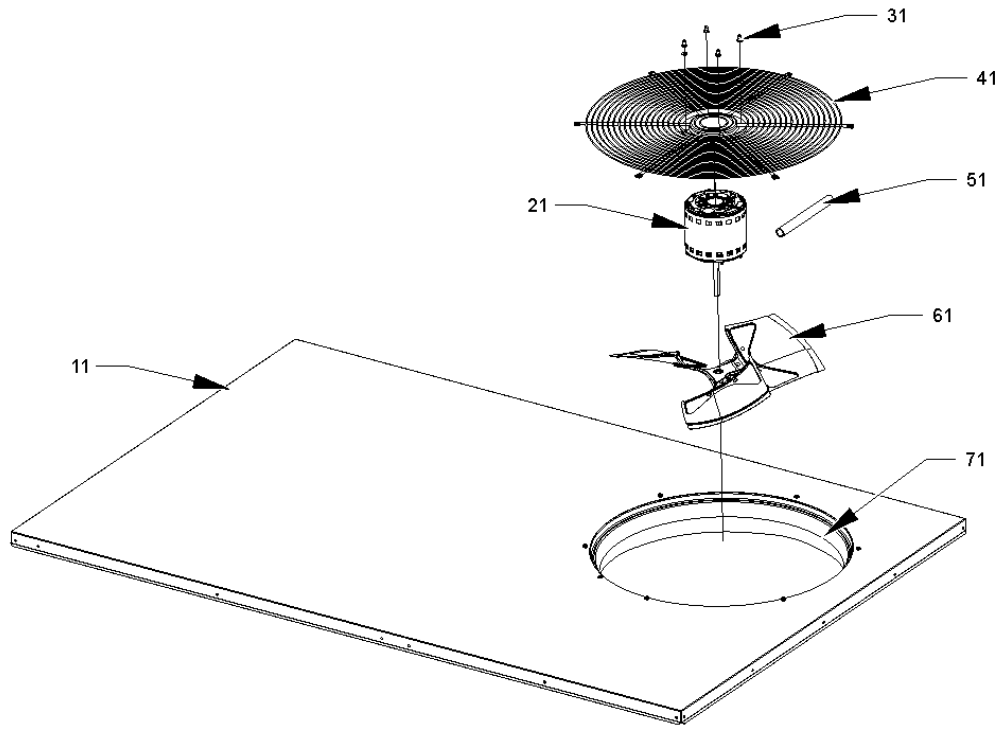
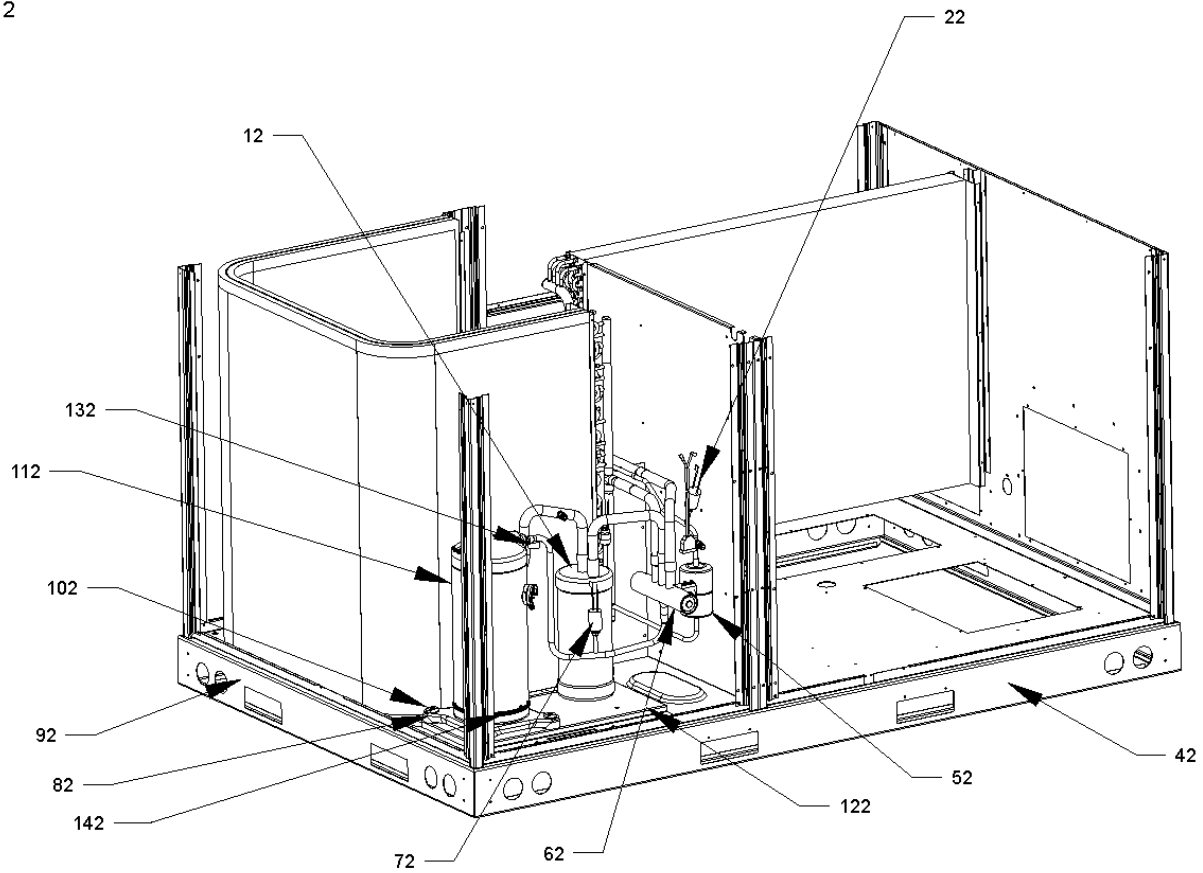


Image 2



Top Panel / Tubing Assembly

Ref. Part No: No:	Description:	Ref. Part No: No:	Description:
Image 1:		Image 2:	
11	0270L00086	142	0230L00003
21	0131M00008P	NS	B1373315
	INSULATED ASSY, TOP PANEL	NS	0163M00175
	COND MOTOR 1/3 HP, 1 SP, 6 PL (M23, M24, M25, M30)	NS	0159L00028
21	B13400249		CRANKCASE HEATER (M28, M29)
21	0131M00179		ACCESS FITTING (QTY 2)
21	0131M00007P		CAP WITH O-RING (QTY 2)
	COND MOTOR 1/3 HP, 460V (M26, M27)		COMPRESSOR SCROLL HARNESS
	COND MOTOR 1/3 HP, 6 PL, 575V (M28, M29)	Expanded Model Nomenclature	
21	0131M00007P	M1	- CPH036XXX3BXJXBB
	COND MOTOR 1/4 HP, 1 SP, 6 PL (M1, M2, M7, M8, M9, M14, M15, M16, M17, M22)	M2	- CPH036XXX3BXXBB
21	B13400269	M3	- CPH036XXX4BXJXBB
	COND MOTOR 380/460 50/60 CYCLE (M3, M4, M10, M11, M18, M19)	M4	- CPH036XXX4BXXBB
21	0131M00098	M5	- CPH036XXX7BXJXBB
	COND MOTOR 575V (M5, M6, M12, M13, M20, M21)	M6	- CPH036XXX7BXXBB
31	0163M00006P	M7	- CPH0360103HXJXBB
41	0152G00003	M8	- CPH048XXX3BXJXBB
51	17788000083F	M9	- CPH048XXX3BXXBB
61	0150G00001	M10	- CPH048XXX4BXJXBB
	PVC CONDUIT 8.25"	M11	- CPH048XXX4BXXBB
	FAN BLADE (M1, M2, M3, M4, M5, M6, M7, M8, M9, M10, M11, M12, M13, M14, M15, M16, M17, M18, M19, M20, M21, M22, M28, M29)	M12	- CPH048XXX7BXJXBB
61	B1086765S	M13	- CPH048XXX7BXXBB
	FAN BLADE TYPE 3 (M23, M24, M25, M26, M27, M30)	M14	- CPH0480103HXJXBB
71	0161L00000	M15	- CPH060XXX3BJABBB
	VENTURI RING 22"	M16	- CPH060XXX3BXJXBB
Image 2:		M17	- CPH060XXX3BXXBB
12	B1226206	M18	- CPH060XXX4BXJXBB
12	B1226207	M19	- CPH060XXX4BXXBB
	ACCUMULATOR (M1, M2, M3, M4, M5, M6, M7)	M20	- CPH060XXX7BXJXBB
	ACCUMULATOR .875 (M8, M9, M10, M11, M12, M13, M14, M15, M16, M17, M18, M19, M20, M21, M22, M23, M24, M25, M26, M27, M28, M29, M30)	M21	- CPH060XXX7BXXBB
22	0130M00075	M22	- CPH0600103HXJXBB
42	0121L00244RF	M23	- CPH072XXX3BHXZBB
52	20485201	M24	- CPH072XXX3BXJXBB
62	0151M00019	M25	- CPH072XXX3BXXBB
62	0151M00021	M26	- CPH072XXX4BXJXBB
	BI-FLOW FILTER DRIER	M27	- CPH072XXX4BXXBB
	REVERSING VALVE (M1, M2, M3, M4, M5, M6, M7)	M28	- CPH072XXX7BXJXBB
	REVERSING VALVE (M8, M9, M10, M11, M12, M13, M14, M15, M16, M17, M18, M19, M20, M21, M22, M23, M24, M25, M26, M27, M28, M29, M30)	M29	- CPH072XXX7BXXBB
72	0130M00074	M30	- CPH0720103HXJXBB
82	B1339533		
92	0121L00245		
102	M0221641		
112	ZP31K5ETFE130		
112	ZP31K5ETF5130		
112	ZP31K5ETFD130		
112	ZP39K5ETF5130		
112	ZP39K5ETFD130		
112	ZP39K5ETFE1830		
112	ZP51K5ETF5130		
	CUT-OUT SWITCH, LOW PRESSURE		
	SIDE RAIL (QTY 2)		
	COMPRESSOR GROMMET (QTY 4)		
	END RAIL (QTY 2)		
	TF SHOULDER SCREW (QTY 4)		
	COMPRESSOR 31100, 575/60/3 (M5, M6)		
	COMPRESSOR 31200, 200/230/60/3 (M1, M2, M7)		
	COMPRESSOR 31200, 460/60/3 (M3, M4)		
	COMPRESSOR 39000, 200/230/60/3 (M8, M9, M14)		
	COMPRESSOR 39000, 460/60/3 (M10, M11)		
	COMPRESSOR 39000, 575/60/3 (M12, M13)		
	COMPRESSOR 51000, 208/230/60/3 (M15, M16, M17, M22)		
	COMPRESSOR 51000, 460/60/3 (M18, M19)		
	COMPRESSOR 51000, 575/60/3 (M20, M21)		
	COMPRESSOR 61500, 200/230/60/3 (M23, M24, M25, M30)		
	COMPRESSOR 61500, 460/60/3 (M26, M27)		
	COMPRESSOR 61500, 575/60/3 (M28, M29)		
	COMPRESSOR MOUNTING PLATE		
	CRANKCASE HEATER SWITCH (M26, M27, M28, M29)		
	CRANK CASE HEATER, 70W, 575V (M28, M29)		
	CRANK CASE HEATER-70W 240V (M23, M24, M25, M30)		
	CRANK CASE HEATER-70W, 480V (M26, M27)		
	CRANKCASE HEATER (M26, M27)		

Cabinet Assembly

Image 1

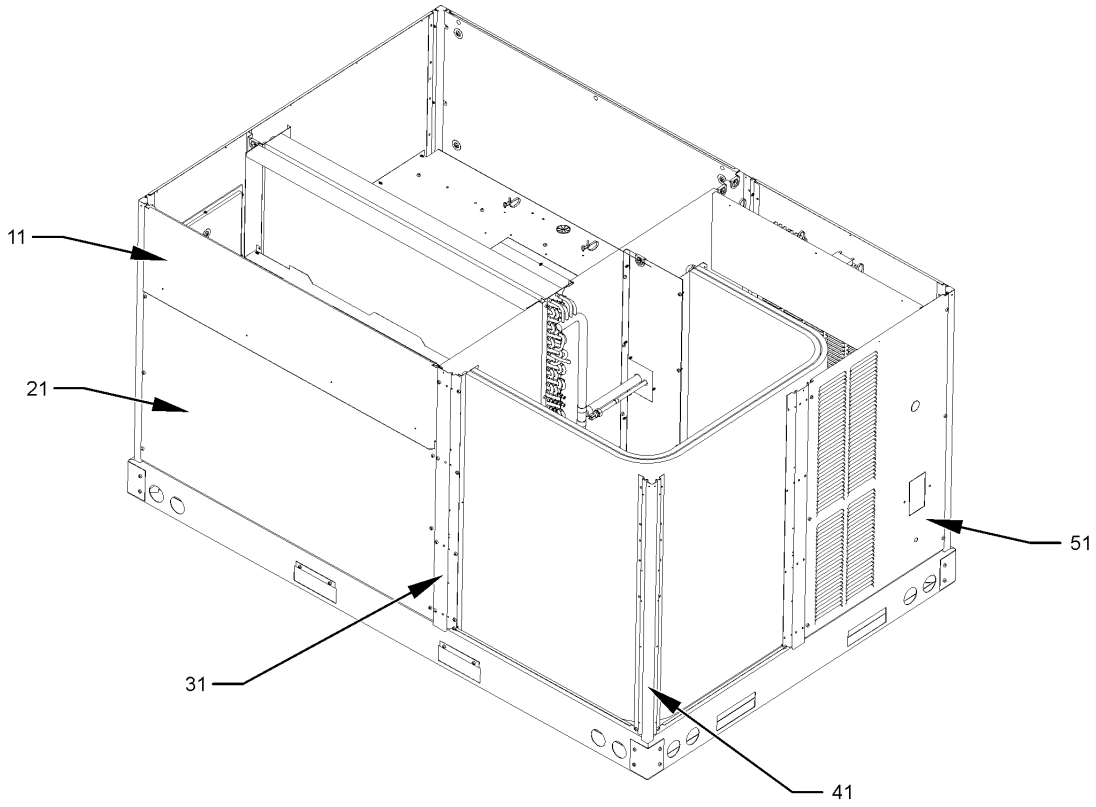
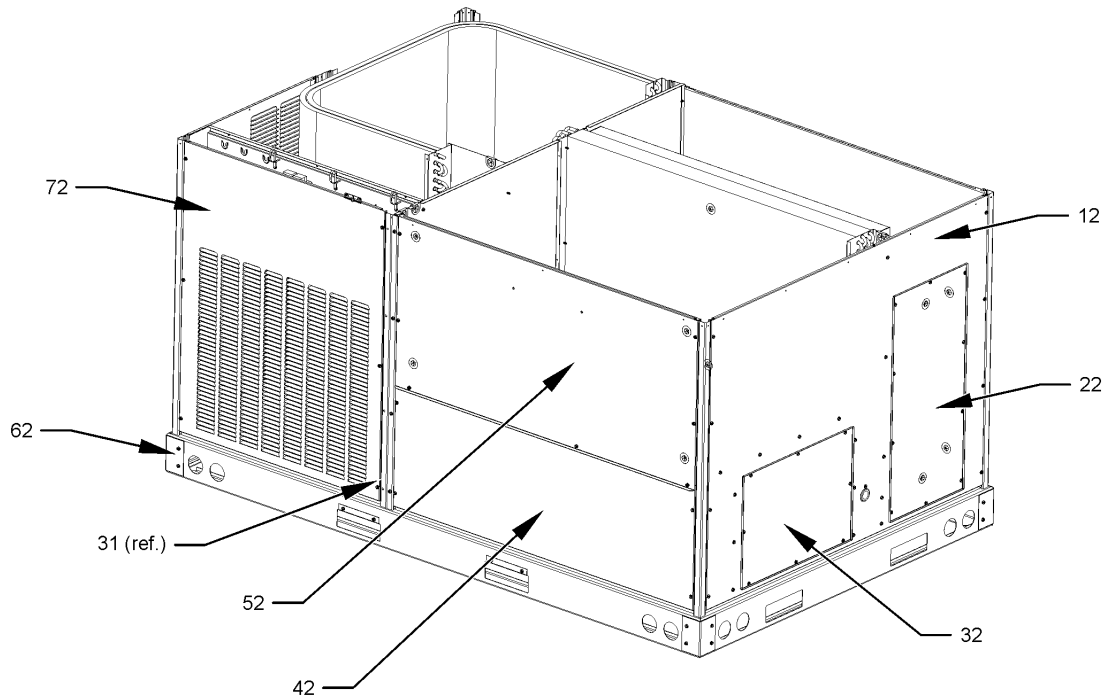


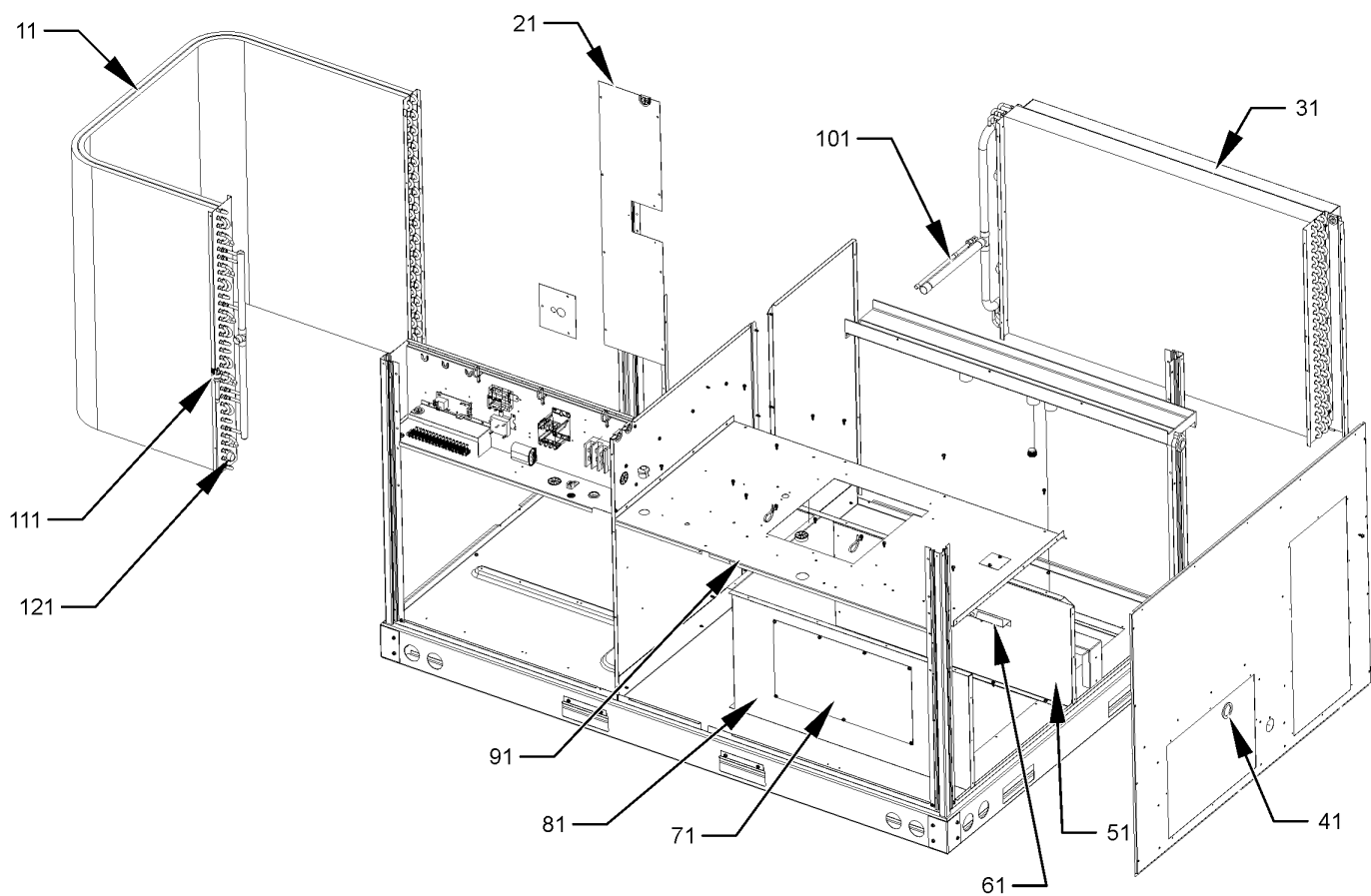
Image 2



Cabinet Assembly

Ref. Part No: No:	Description:	Ref. Part No: No:	Description:
Image 1:		Expanded Model Nomenclature	
11	0270L00080 INSULATED ASSY, FILTER DOOR (M1, M2, M3, M4, M5, M6, M7, M8, M9, M10, M11, M12, M13, M14, M15, M16, M17, M18, M19, M20, M21, M22)	M1	CPH036XXX3BXJXBB
11	0270L00139 INSULATED ASSY, FILTER DOOR (M23, M24, M25, M26, M27, M28, M29, M30)	M2	CPH036XXX3BXXXBB
21	0270L00081 INSULATED ASSY, ECONOMIZER DOOR	M3	CPH036XXX4BXJXBB
31	0121L00233RFDG POST-SIDE SUPPORT (M1, M2, M3, M4, M5, M6, M7, M8, M9, M10, M11, M12, M13, M14, M15, M16, M17, M18, M19, M20, M21, M22)	M4	CPH036XXX4BXXXBB
31	0121L00343RFDG POST-SIDE SUPPORT (M23, M24, M25, M26, M27, M28, M29, M30)	M5	CPH036XXX7BXJXBB
41	0121L00237RFDG CORNER POST (M1, M2, M3, M4, M5, M6, M7, M8, M9, M10, M11, M12, M13, M14, M15, M16, M17, M18, M19, M20, M21, M22)	M6	CPH036XXX7BXXXBB
41	0121L00344RFDG CORNER POST (M23, M24, M25, M26, M27, M28, M29, M30)	M7	CPH0360103HXJXBB
51	0121L00263DG LOUVERED COMPRESSOR PANEL (M1, M2, M3, M4, M5, M6, M7, M8, M9, M10, M11, M12, M13, M14, M15, M16, M17, M18, M19, M20, M21, M22)	M8	CPH048XXX3BXJXBB
51	0121L00354DG LOUVERED COMPRESSOR PANEL (M23, M24, M25, M26, M27, M28, M29, M30)	M9	CPH048XXX3BXXXBB
NS	0121L00321 SMOKE DETECTOR COVER	M10	CPH048XXX4BXJXBB
Image 2:		M11	CPH048XXX4BXXXBB
12	0270L00079 INSULATED ASSY, DUCT PANEL (M1, M2, M3, M4, M5, M6, M7, M8, M9, M10, M11, M12, M13, M14, M15, M16, M17, M18, M19, M20, M21, M22)	M12	CPH048XXX7BXJXBB
12	0270L00145 INSULATED ASSY, DUCT PANEL (M23, M24, M25, M26, M27, M28, M29, M30)	M13	CPH048XXX7BXXXBB
22	0270L00011 INSULATED ASSY, RETURN DUCT	M14	CPH0480103HXJXBB
32	0270L00012 INSULATED ASSY, SUPPLY DUCT	M15	CPH060XXX3BJABBB
42	0121L00279DG ELECTRIC HEAT DOOR	M16	CPH060XXX3BXJXBB
52	0270L00084 INSULATED ASSY, BLOWER DOOR (M1, M2, M3, M4, M5, M6, M7, M8, M9, M10, M11, M12, M13, M14, M15, M16, M17, M18, M19, M20, M21, M22)	M17	CPH060XXX3BXXXBB
52	0270L00146 INSULATED ASSY, BLOWER DOOR (M23, M24, M25, M26, M27, M28, M29, M30)	M18	CPH060XXX4BXJXBB
62	0121G00301 RAIL CORNER BRACKET (QTY 4)	M19	CPH060XXX4BXXXBB
72	0121L00262DG LOUVERED CONTROL PANEL (M1, M2, M3, M4, M5, M6, M7, M8, M9, M10, M11, M12, M13, M14, M15, M16, M17, M18, M19, M20, M21, M22)	M20	CPH060XXX7BXJXBB
72	0121L00353DG LOUVERED CONTROL PANEL (M23, M24, M25, M26, M27, M28, M29, M30)	M21	CPH060XXX7BXXXBB
		M22	CPH0600103HXJXBB
		M23	CPH072XXX3BHYZBB
		M24	CPH072XXX3BXJXBB
		M25	CPH072XXX3BXXXBB
		M26	CPH072XXX4BXJXBB
		M27	CPH072XXX4BXXXBB
		M28	CPH072XXX7BXJXBB
		M29	CPH072XXX7BXXXBB
		M30	CPH0720103HXJXBB

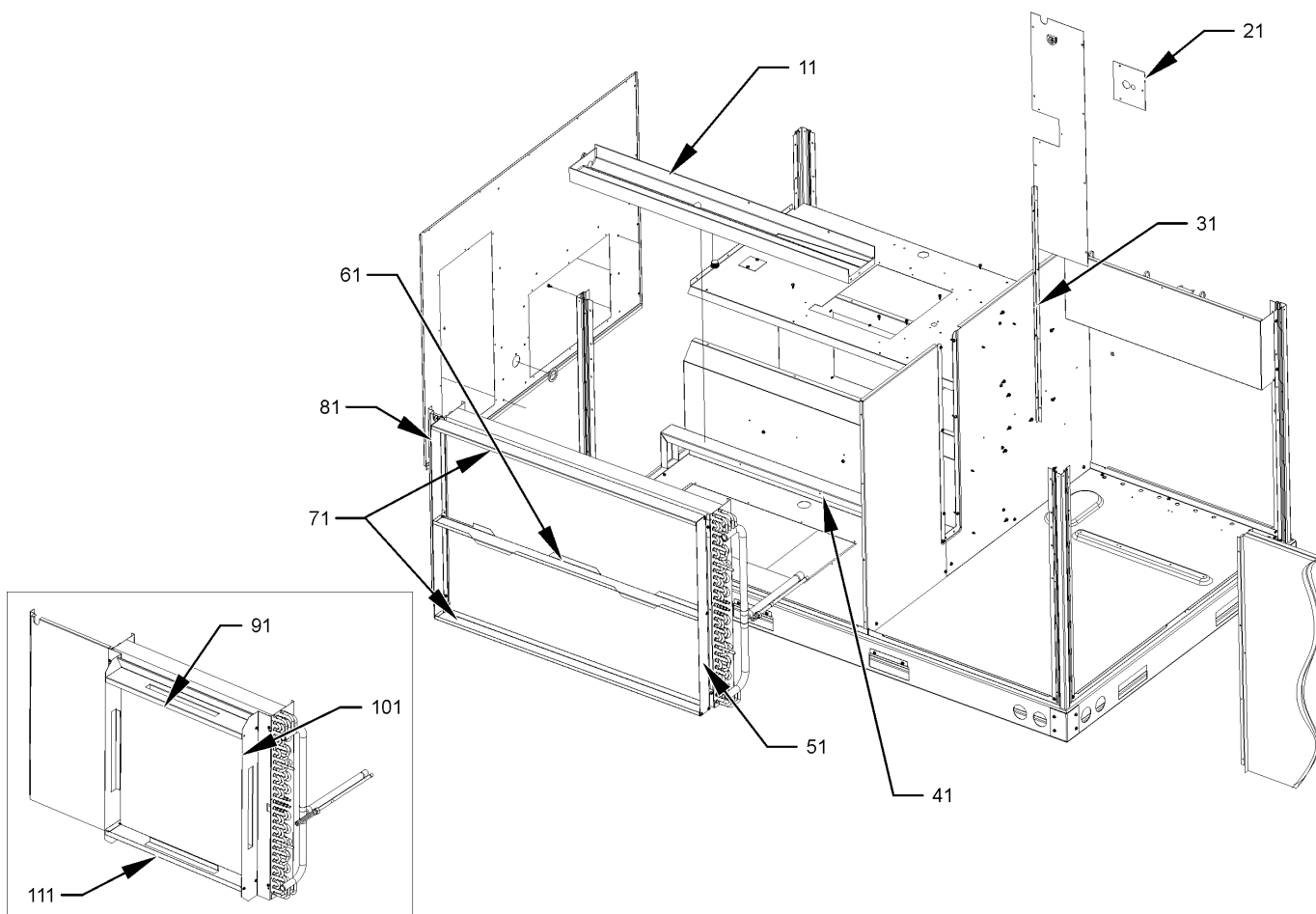
Condenser / Evaporator Coil Assembly



Condenser / Evaporator Coil Assembly

Ref. Part No: No:	Description:	Ref. Part No: No:	Description:
<i>Image 1:</i>		Expanded Model Nomenclature	
11	0201L00038 TUBING ASSY, COND COIL (M2, M4)	M1	- CPH036XXX3BXJXBB
11	0201L00039 TUBING ASSY, COND COIL (M15, M17, M19, M21)	M2	- CPH036XXX3BXXXBB
11	0201L00040 TUBING ASSY, COND COIL (M9, M11, M13)	M3	- CPH036XXX4BXJXBB
11	0201L00043 TUBING ASSY, COND COIL (M16, M18, M20, M22)	M4	- CPH036XXX4BXXXBB
11	0201L00044 TUBING ASSY, COND COIL (M8, M10, M12, M14)	M5	- CPH036XXX7BXJXBB
11	0201L00047 TUBING ASSY, COND COIL (M1, M3, M7)	M6	- CPH036XXX7BXXXBB
11	0201L00053 TUBING ASSY, COND COIL (M23, M25, M27, M29)	M7	- CPH0360103HXJXBB
11	0201L00055 TUBING ASSY, COND COIL (M24, M26, M28, M30)	M8	- CPH048XXX3BXJXBB
11	0201L00048 TUBING ASSY, COND COIL 575V (M6)	M9	- CPH048XXX3BXXXBB
11	0201L00051 TUBING ASSY, COND COIL 575V (M5)	M10	- CPH048XXX4BXJXBB
21	0121L00311 COND BLOCK-OFF (M1, M2, M3, M4, M7, M8, M9, M10, M11, M12, M13, M14, M15, M16, M17, M18, M19, M20, M21, M22)	M11	- CPH048XXX4BXXXBB
21	0121L00319 COND BLOCK-OFF (M5, M6)	M12	- CPH048XXX7BXJXBB
21	0121L00348 COND BLOCK-OFF (M23, M24, M25, M26, M27, M28, M29, M30)	M13	- CPH048XXX7BXXXBB
31	0202L00020 TUBING ASSY, EVAP COIL (M15, M16, M17, M18, M19, M20, M21, M22)	M14	- CPH0480103HXJXBB
31	0202L00026 TUBING ASSY, EVAP COIL (M1, M2, M3, M4, M5, M6, M7)	M15	- CPH060XXX3BJABBB
31	0202L00029 TUBING ASSY, EVAP COIL (M8, M9, M10, M11, M12, M13, M14)	M16	- CPH060XXX3BXJXBB
31	0202L00032 TUBING ASSY, EVAP COIL (M23, M24, M25, M26, M27, M28, M29, M30)	M17	- CPH060XXX3BXXXBB
41	0154L00009 DRAIN PAN GASKET	M18	- CPH060XXX4BXJXBB
51	0121L00243 DECK SIDE CHANNEL (M1, M2, M3, M4, M7, M8, M9, M10, M11, M12, M13, M14, M15, M16, M17, M18, M19, M20, M21, M22, M23, M24, M25, M26, M27, M28, M29, M30)	M19	- CPH060XXX4BXXXBB
61	0121L00288 ELECTRIC HEAT RETAINER	M20	- CPH060XXX7BXJXBB
71	0121L00144 ELECTRIC HEAT COVER	M21	- CPH060XXX7BXXXBB
81	0121L00256 ELECTRIC HEAT PANEL	M22	- CPH0600103HXJXBB
91	0121L00242 BLOWER DECK (M5, M6)	M23	- CPH072XXX3BHXZBB
91	0121L00981 DECK BLOWER (M1, M2, M3, M4, M7, M8, M9, M10, M11, M12, M13, M14, M15, M16, M17, M18, M19, M20, M21, M22, M23, M24, M25, M26, M27, M28, M29, M30)	M24	- CPH072XXX3BXJXBB
101	0162M00097 FLOWRATOR (M1, M2, M3, M4, M5, M6, M7)	M25	- CPH072XXX3BXXXBB
101	0162M00108 FLOWRATOR .076 (M8, M9, M10, M11, M12, M13, M14)	M26	- CPH072XXX4BXJXBB
101	0162L00012 FLOWRATOR [EVAP] (M15, M16, M17, M18, M19, M20, M21, M22)	M27	- CPH072XXX4BXXXBB
101	0162M00121 FLOWRATOR [EVAP] (M23, M24, M25, M26, M27, M28, M29, M30)	M28	- CPH072XXX7BXJXBB
111	0162M00096 FLOWRATOR (M1, M2, M3, M4, M7)	M29	- CPH072XXX7BXXXBB
111	0162M00114 FLOWRATOR .053 (M5, M6)	M30	- CPH0720103HXJXBB
111	0162M00106 FLOWRATOR .057 (M8, M9, M10, M11, M12, M13, M14)		
111	0162M00060 FLOWRATOR .065 (M15, M16, M17, M18, M19, M20, M21, M22)		
111	0162M00120 FLOWRATOR .080 [COND] (M23, M24, M25, M26, M27, M28, M29, M30)		
121	0130M00100 DEFROST CONTROL		

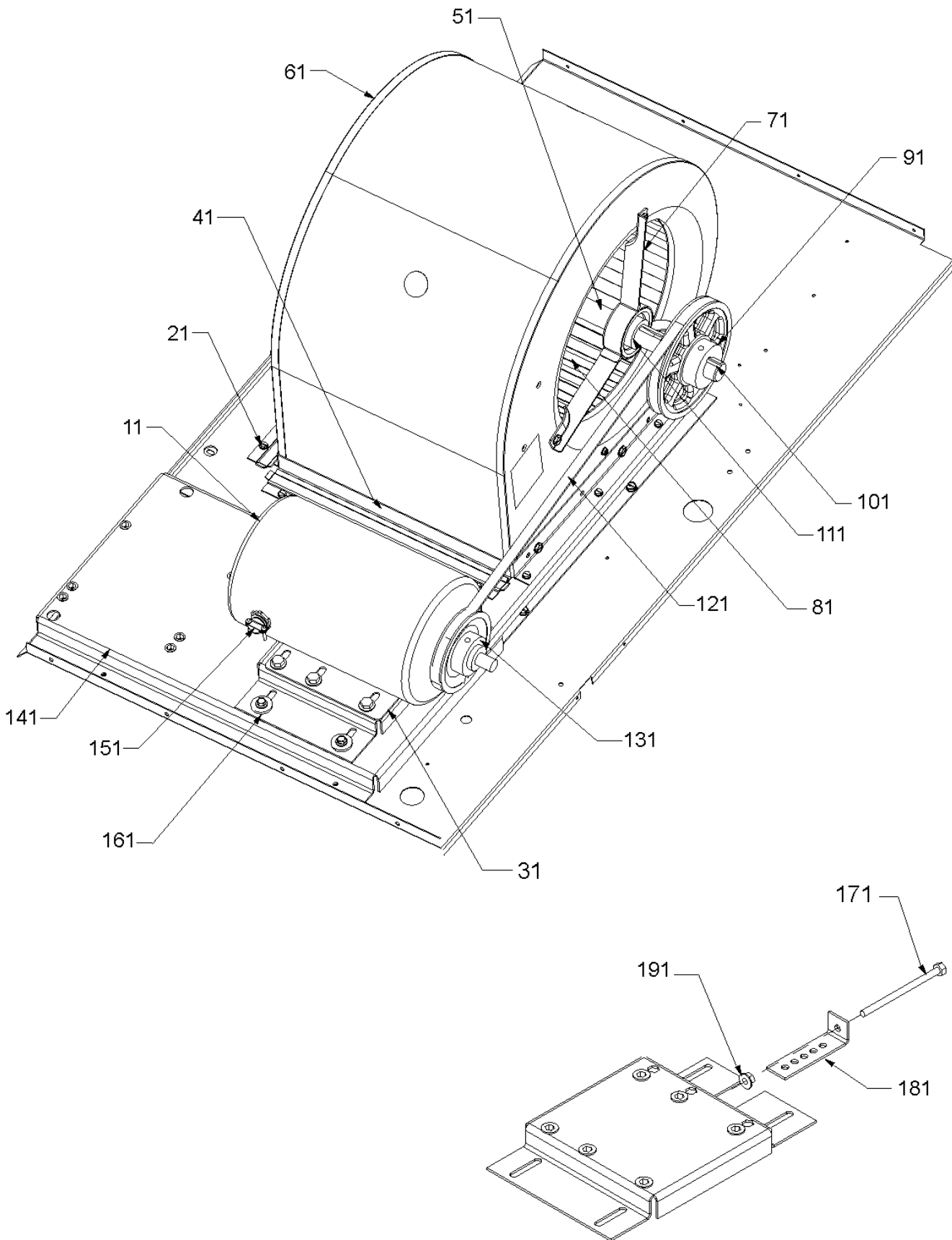
Partition Assembly



Partition Assembly

Ref. Part No:	No:	Description:	Ref. Part No:	No:	Description:
<i>Image 1:</i>			Expanded Model Nomenclature		
11	0161L00005	DRAIN PAN	M1	-	CPH036XXX3BXJXBB
21	0121L00324	COND BLOCK-OFF PLATE (M23, M24, M25, M26, M27, M28, M29, M30)	M2	-	CPH036XXX3BXXXBB
31	0121L00254	COND MOUNTING ANGLE (M1, M2, M3, M4, M5, M6, M7, M8, M9, M10, M11, M12, M13, M14, M15, M16, M17, M18, M19, M20, M21, M22)	M3	-	CPH036XXX4BXJXBB
31	0121L00349	COND MOUNTING ANGLE (M23, M24, M25, M26, M27, M28, M29, M30)	M4	-	CPH036XXX4BXXXBB
41	0121L00238	DRAIN PAN SUPPORT	M5	-	CPH036XXX7BXJXBB
51	0121L00287	FILTER ANGLE-VERTICAL (RETURN SIDE) (M8, M9, M10, M11, M12, M13, M14, M15, M16, M17, M18, M19, M20, M21, M22)	M6	-	CPH036XXX7BXXXBB
51	0121L00357	FILTER ANGLE-VERTICAL (RETURN SIDE) (M23, M24, M25, M26, M27, M28, M29, M30)	M7	-	CPH0360103HXJXBB
61	0121L00298	FILTER ANGLE-HORIZONTAL (CENTER) (M8, M9, M10, M11, M12, M13, M14, M15, M16, M17, M18, M19, M20, M21, M22, M23, M24, M25, M26, M27, M28, M29, M30)	M8	-	CPH048XXX3BXJXBB
71	0121L00932	FILTER ANGLE-HORIZONTAL (M8, M9, M10, M11, M12, M13, M14, M15, M16, M17, M18, M19, M20, M21, M22, M23, M24, M25, M26, M27, M28, M29, M30)	M9	-	CPH048XXX3BXXXBB
81	0121L00303	FILTER ANGLE-VERTICAL (HAIRPIN SIDE) (M8, M9, M10, M11, M12, M13, M14, M15, M16, M17, M18, M19, M20, M21, M22)	M10	-	CPH048XXX4BXJXBB
81	0121L00358	FILTER ANGLE-VERTICAL (HAIRPIN SIDE) (M23, M24, M25, M26, M27, M28, M29, M30)	M11	-	CPH048XXX4BXXXBB
91	0121L00290	FILTER ANGLE-TOP (M1, M2, M3, M4, M5, M6, M7)	M12	-	CPH048XXX7BXJXBB
101	0121L00292	FILTER ANGLE-VERTICAL (M1, M2, M3, M4, M5, M6, M7)	M13	-	CPH048XXX7BXXXBB
111	0121L00291	FILTER ANGLE-BOTTOM (M1, M2, M3, M4, M5, M6, M7)	M14	-	CPH0480103HXJXBB
NS	B1369608	AIR FILTER 20 X 16 X 2 (M23, M24, M25, M26, M27, M28, M29, M30)	M15	-	CPH060XXX3BJABBB
NS	0160L00008	FILTER 14 X 20 X 2 (M8, M9, M10, M11, M12, M13, M14, M15, M16, M17, M18, M19, M20, M21, M22)	M16	-	CPH060XXX3BXJXBB
NS	0160L00046	FILTER 24 X 24 (M1, M2, M3, M4, M5, M6, M7)	M17	-	CPH060XXX3BXXXBB
			M18	-	CPH060XXX4BXJXBB
			M19	-	CPH060XXX4BXXXBB
			M20	-	CPH060XXX7BXJXBB
			M21	-	CPH060XXX7BXXXBB
			M22	-	CPH0600103HXJXBB
			M23	-	CPH072XXX3BHYZBB
			M24	-	CPH072XXX3BXJXBB
			M25	-	CPH072XXX3BXXXBB
			M26	-	CPH072XXX4BXJXBB
			M27	-	CPH072XXX4BXXXBB
			M28	-	CPH072XXX7BXJXBB
			M29	-	CPH072XXX7BXXXBB
			M30	-	CPH0720103HXJXBB

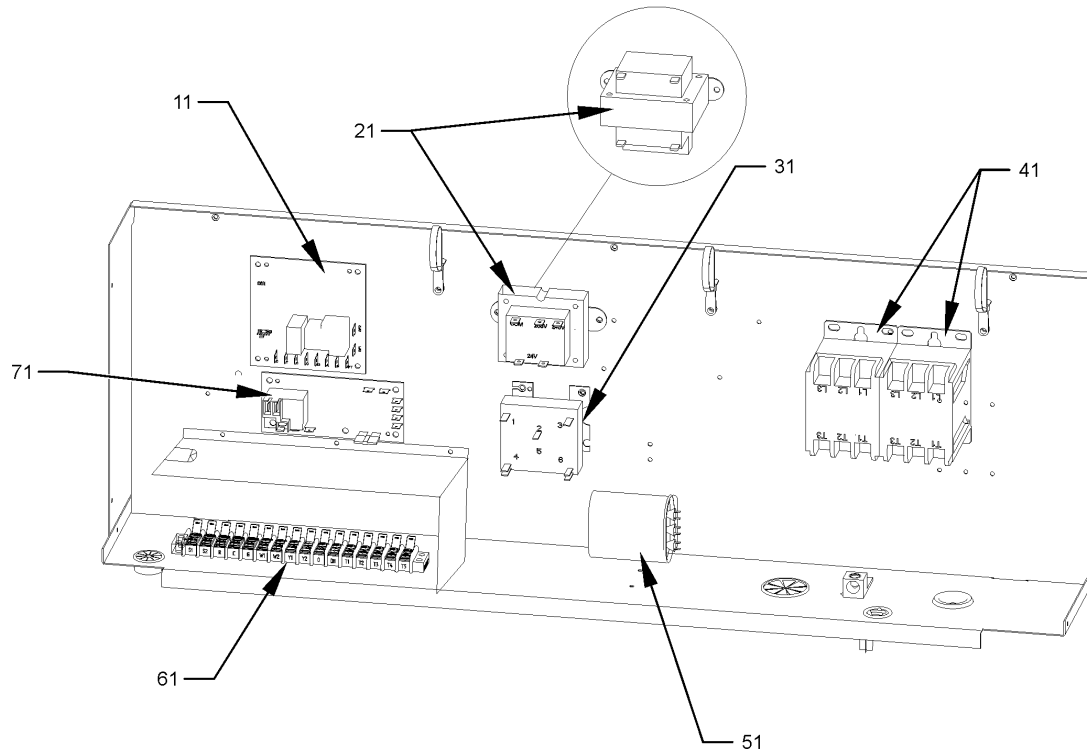
Belt Drive Blower Assembly



Belt Drive Blower Assembly

Ref. Part No: No:	Description:	Ref. Part No: No:	Description:
Image 1:		Expanded Model Nomenclature	
11	0131L00003	BELT DRIVE MOTOR 1 HP (M1, M2, M3, M4, M8, M9, M10, M11, M15, M16, M17, M18, M19)	M1 - CPH036XXX3BXJXBB M2 - CPH036XXX3BXXBB M3 - CPH036XXX4BXJXBB M4 - CPH036XXX4BXXBB M5 - CPH036XXX7BXJXBB M6 - CPH036XXX7BXXBB M7 - CPH0360103HXJXBB M8 - CPH048XXX3BXJXBB M9 - CPH048XXX3BXXBB M10 - CPH048XXX4BXJXBB M11 - CPH048XXX4BXXBB M12 - CPH048XXX7BXJXBB M13 - CPH048XXX7BXXBB M14 - CPH0480103HXJXBB M15 - CPH060XXX3BJABBB M16 - CPH060XXX3BXJXBB M17 - CPH060XXX3BXXBB M18 - CPH060XXX4BXJXBB M19 - CPH060XXX4BXXBB M20 - CPH060XXX7BXJXBB M21 - CPH060XXX7BXXBB M22 - CPH0600103HXJXBB M23 - CPH072XXX3BHYZBB M24 - CPH072XXX3BXJXBB M25 - CPH072XXX3BXXBB M26 - CPH072XXX4BXJXBB M27 - CPH072XXX4BXXBB M28 - CPH072XXX7BXJXBB M29 - CPH072XXX7BXXBB M30 - CPH0720103HXJXBB
11	B3240007	BELT DRIVE MOTOR 1.5 HP (M7, M14, M22, M23, M24, M25, M26, M27)	
11	0131L00004	BELT DRIVE MOTOR 1.5 HP 575V (M5, M6, M12, M13, M20, M21, M28, M29)	
11	B3240006	BELT DRIVE MOTOR 2 HP (M30)	
21	0121L00297	BLOWER SIDE ANGLE (QTY 3)	
31	0121L00899	MOTOR BASE	
41	0121L00281	BLOWER MOUNTING ANGLE	
51	0163L00005	BELT DRIVE BLOWER SHAFT	
61	2539302	BLOWER HOUSING 11 X 10	
71	B3201300	MOUNTING BRACKET BEARING (QTY 2)	
81	B1368056	BELT DRIVE BLOWER WHEEL	
91	B2120011	FIXED SHEAVE (M1, M2, M3, M4, M5, M6, M14)	
91	0163L00031	FIXED SHEAVE AK59 (M23, M24, M25, M26, M27, M28, M29, M30)	
91	B3204303	FIXED SHEAVE AK61 (M7, M15, M16, M17, M18, M19, M20, M21, M22)	
91	B3204310	FIXED SHEAVE AK66 (M8, M9, M10, M11, M12, M13)	
101	B1398604	STEEL KEY (000158812) 2.0"	
111	B1399500	BALL BEARING 1.00" (QTY 2)	
121	0164L00010	FAN BELT, NOTCHED	
131	0163L00024	VARIABLE PITCH SHEAVE 1VL40 X 5/8" (M1, M2, M3, M4, M5, M6)	
131	B2120001	VARIABLE PITCH SHEAVE 1VL44 X 3/8" (M8, M9, M10, M11, M12, M13, M15, M16, M17, M18, M19, M20, M21, M28, M29)	
131	B2120014	VARIABLE PITCH SHEAVE 1VL44 X 7/8" (M7, M23, M24, M25, M26, M27)	
131	B2120013	VARIABLE PITCH SHEAVE 1VP50 (M14, M22, M30)	
141	0121L00966	SUPPORT BLOWER PLATE	
151	B1393726	ELECT. CONNECTING BUSHING	
161	B1393738	BOLT 1/4-20 X 3/4" (QTY 5)	
171	0163M00045	BOLT 1/4-20 X 4"	
181	3225000	BELT TIGHTENER ANGLE	
191	B1393023	NUT / LOCK .25-20	
NS	1864703F	BLOWER CUT-OFF	
NS	B1398603	STEEL KEY (000158812) 4.5"	

Control Box Assembly



Control Box Assembly

Ref. Part No: No:	Description:	Ref. Part No: No:	Description:
<i>Image 1:</i>		Expanded Model Nomenclature	
11	PCBDM160	PCB, DEFROST CONTROL	M1 - CPH036XXX3BXJXBB
21	B1141643	TRANSFORMER 208/230, 24V (M1, M2, M7, M8, M9, M14, M15, M16, M17, M22, M23, M24, M25, M30)	M2 - CPH036XXX3BXXXBB
21	B1141653	TRANSFORMER 480V, 75VA, RESETTABLE (M3, M4, M10, M11, M18, M19, M26, M27)	M3 - CPH036XXX4BXJXBB
21	0130M00045	TRANSFORMER 575/24V (M5, M6, M12, M13, M20, M21, M28, M29)	M4 - CPH036XXX4BXXXBB
31	0130M00025	24V RELAY (M3, M4, M5, M6, M10, M11, M12, M13, M18, M19, M20, M21, M26, M27, M28, M29)	M5 - CPH036XXX7BXJXBB
41	CONT3P025024V	CONTACTOR 25 AMP, 3P, 24V (M3, M4, M5, M6, M10, M11, M12, M13, M18, M19, M20, M21, M26, M27, M28, M29)	M6 - CPH036XXX7BXXXBB
41	CONT3P030024V	CONTACTOR 30 AMP, 3P, 24V (M1, M2, M7, M8, M9, M14, M15, M16, M17, M22, M23, M24, M25, M30)	M7 - CPH0360103HXJXBB
51	CAP050000370VA	CAPACITOR 5/370V	M8 - CPH048XXX3BXJXBB
61	0130M00038	TERMINAL BOARD	M9 - CPH048XXX3BXXXBB
71	PCBFM131	ELECTRONIC BLOWER TIME DELAY	M10 - CPH048XXX4BXJXBB
NS	20520901	CAPACITOR STRAP (QTY 4)	M11 - CPH048XXX4BXXXBB
NS	0259L00077	DEFROST HARNESS (M1, M2, M7, M8, M9, M14, M15, M16, M17, M22, M23, M24, M25, M30)	M12 - CPH048XXX7BXJXBB
NS	0259L00078	DEFROST HARNESS (M3, M4, M5, M6, M10, M11, M12, M13, M18, M19, M20, M21, M26, M27, M28, M29)	M13 - CPH048XXX7BXXXBB
NS	0259L00122	WIRE HARNESS, CONTROL	M14 - CPH0480103HXJXBB
NS	0259L00057	WIRING HARNESS	M15 - CPH060XXX3BJABBB
NS	0259L00061	WIRING HARNESS	M16 - CPH060XXX3BXJXBB
NS	0259L00065	WIRING HARNESS (M1, M2, M3, M4, M5, M6, M7, M8, M9, M10, M11, M12, M13, M14, M15, M16, M17, M18, M19, M20, M21, M22)	M17 - CPH060XXX3BXXXBB
NS	0259L00070	WIRING HARNESS (M1, M2, M5, M6, M7, M8, M9, M12, M13, M14, M15, M16, M17, M20, M21, M22, M23, M24, M25, M28, M29, M30)	M18 - CPH060XXX4BXJXBB
NS	0259L00071	WIRING HARNESS (M3, M4, M10, M11, M18, M19, M26, M27)	M19 - CPH060XXX4BXXXBB
NS	0259L00094	WIRING HARNESS (M23, M24, M25, M26, M27, M28, M29, M30)	M20 - CPH060XXX7BXJXBB
			M21 - CPH060XXX7BXXXBB
			M22 - CPH0600103HXJXBB
			M23 - CPH072XXX3BHYZBB
			M24 - CPH072XXX3BXJXBB
			M25 - CPH072XXX3BXXXBB
			M26 - CPH072XXX4BXJXBB
			M27 - CPH072XXX4BXXXBB
			M28 - CPH072XXX7BXJXBB
			M29 - CPH072XXX7BXXXBB
			M30 - CPH0720103HXJXBB

ACCESSORY PARTS LIST

ACCESSORY PARTS

Ref. Part No:	Part No:	Description:	Ref. Part No:	Part No:	Description:
---------------	----------	--------------	---------------	----------	--------------

Image 1:

NS	0130M00065	CIRCUIT BREAKER, CONVENIENCE OUTLET (M15)
NS	0270L00107	CONVENIENCE OUTLET ASSEMBLY (M15)
NS	DSC100A38Y001FI	DISCONNECT MODULE ASSY (M15)
NS	DSC100A38Y001FI	DISCONNECT MODULE ASSY (M15)
NS	DSC150A42Y001FI	DISCONNECT MODULE ASSY (M23)
NS	DSC150A42Y001FI	DISCONNECT MODULE ASSY (M23)
NS	DNECONHP3672BF	ECONOMIZER HP ASSY (M15)
NS	HAILGD03FI	HAIL GUARD ASSEMBLY (M15)
NS	SDSRKT01FI6	SMOKE DETECTOR ASSEMBLY (M23)
NS	SDSRKT01FI6	SMOKE DETECTOR ASSEMBLY (M23)
NS	0130M00061	TRANSFORMER, CONVENIENCE OUTLET (M15)

Expanded Model Nomenclature

- M1 - CPH036XXX3BXJXBB
- M2 - CPH036XXX3BXXXBB
- M3 - CPH036XXX4BXJXBB
- M4 - CPH036XXX4BXXXBB
- M5 - CPH036XXX7BXJXBB
- M6 - CPH036XXX7BXXXBB
- M7 - CPH0360103HXJXBB
- M8 - CPH048XXX3BXJXBB
- M9 - CPH048XXX3BXXXBB
- M10 - CPH048XXX4BXJXBB
- M11 - CPH048XXX4BXXXBB
- M12 - CPH048XXX7BXJXBB
- M13 - CPH048XXX7BXXXBB
- M14 - CPH0480103HXJXBB
- M15 - CPH060XXX3BJABBB
- M16 - CPH060XXX3BXJXBB
- M17 - CPH060XXX3BXXXBB
- M18 - CPH060XXX4BXJXBB
- M19 - CPH060XXX4BXXXBB
- M20 - CPH060XXX7BXJXBB
- M21 - CPH060XXX7BXXXBB
- M22 - CPH0600103HXJXBB
- M23 - CPH072XXX3BHZZBB
- M24 - CPH072XXX3BXJXBB
- M25 - CPH072XXX3BXXXBB
- M26 - CPH072XXX4BXJXBB
- M27 - CPH072XXX4BXXXBB
- M28 - CPH072XXX7BXJXBB
- M29 - CPH072XXX7BXXXBB
- M30 - CPH0720103HXJXBB