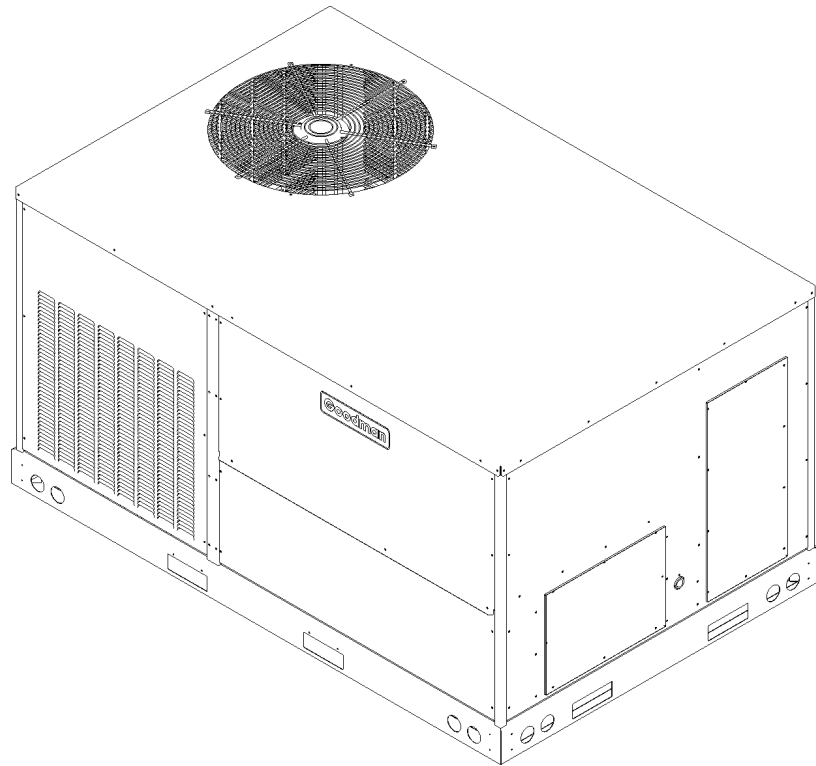


REPAIR PARTS

Light Commercial 3 - 5 Ton Direct Drive Package Heat Pumps

CPH036XXX1DXJXBA
CPH036XXX1DXXXBA
CPH036XXX3DXJXBA
CPH036XXX3DXXXBA
CPH048XXX1DXJXBA
CPH048XXX1DXXXBA
CPH048XXX3DXJXBA
CPH048XXX3DXXXBA
CPH060XXX1DXJXBA
CPH060XXX1DXXXBA
CPH060XXX3DXJXBA
CPH060XXX3DXXXBA



This manual is to be used by qualified technicians only.

© 2009 Goodman Manufacturing Company, L.P. ♦ 5151 San Felipe, Suite 500 ♦ Houston, TX 77056

Important Information

Index

Functional Parts List	3
Illustration and Parts	4 - 13

Views shown are for parts illustrations only, not servicing procedures

11-12-13 Corrections: Updated blower motor on CPH060 models

Text Codes:

AR - As Required

NA - Not Available

NS - Not Shown

00000000 - See Note

QTY - Quantity Example (QTY 3) (If Quantity not shown, Quantity = 1)

M - Model Example (M1) (If M Code not shown, then part is used on all Models)

Expanded Model Nomenclature:

Example M1 - Model#1 M2 - Model#2 M3 - Model#3

Goodman Manufacturing Company, L.P. is not responsible for personal injury or property damage resulting from improper service. Review all service information before beginning repairs.

Warranty service must be performed by an authorized technician, using authorized factory parts. If service is required after the warranty expires, Goodman Manufacturing Company, L.P. also recommends contacting an authorized technician and using authorized factory parts.

Goodman Manufacturing Company, L.P. reserves the right to discontinue, or change at any time, specifications or designs without notice or without incurring obligations.

For assistance within the U.S.A. contact:
Consumer Affairs Department
Goodman Manufacturing Company, L.P.
7401 Security Way
Houston, Texas 77040
877-254-4729-Telephone
713-863-2382-Facsimile

For assistance outside the U.S.A. contact:
International Division
Goodman Manufacturing Company, L.P.
7401 Security Way
Houston, Texas 77040
713-861-2500-Telephone
713-863-2382-Facsimile

Functional Parts

Part

No: Description:

Part No:	Description:	Expanded Model Nomenclature
0130M00025	24V RELAY (M1, M2, M3, M4, M5, M6, M7, M8)	M1 - CPH036XXX1DXJXBA
B1226206	ACCUMULATOR (M1, M2, M3, M4)	M2 - CPH036XXX1DXXXBA
B1226207	ACCUMULATOR (M5, M6, M7, M8, M9, M10, M11, M12)	M3 - CPH036XXX3DXJXBA
0131M00126	BLOWER MOTOR (M1, M2, M3, M4)	M4 - CPH036XXX3DXXXBA
0131M00127	BLOWER MOTOR (M5, M6, M7, M8)	M5 - CPH048XXX1DXJXBA
0131M00305	BLOWER MOTOR 1 HP PROGRAMMED SELEC (M9, M10, M11, M12)	M6 - CPH048XXX1DXXXBA
PCBFM103	BOARD, ELECTRONIC BLOWER TIME DELAY RELAY (M1, M2, M3, M4, M5, M6, M7, M8)	M7 - CPH048XXX3DXJXBA
CAP100000370VA	CAPACITOR 10/370V [BLOWER] (M1, M2, M3, M4, M5, M6, M7, M8)	M8 - CPH048XXX3DXXXBA
CAP050000370VA	CAPACITOR 5/370V [CONTROL BOX] (M3, M4, M7, M8, M11, M12)	M9 - CPH060XXX1DXJXBA
CAP050450370RS	CAPACITOR 5/45/370V [CONTROL BOX] (M1, M2, M5, M6)	M10 - CPH060XXX1DXXXBA
CAP050700370RT	CAPACITOR 5/70/370V [CONTROL BOX] (M9, M10)	M11 - CPH060XXX3DXJXBA
ZP31K5EPFV130	COMPRESSOR 31100, 208/230/60/1 (M1, M2)	M12 - CPH060XXX3DXXXBA
ZP31K5ETF5130	COMPRESSOR 31200, 200/230/60/3 (M3, M4)	
ZP39K5ETF5130	COMPRESSOR 39000, 200/230/60/3 (M8)	
ZP39K5EPFV130	COMPRESSOR 39000, 208/230/60/1 (M5, M6)	
ZP51K5EPFV130	COMPRESSOR 51000, 208/230/60/1 (M9, M10)	
ZP51K5ETF5130	COMPRESSOR 51000, 208/230/60/3 (M7, M11, M12)	
0131M00007P	COND MOTOR 1/4 HP, 1 SP, 6 PL	
CONT3P025024V	CONTACTOR 25 AMP, 3P, 24V (M3, M4, M7, M8)	
CONT2P030024V	CONTACTOR 30 AMP, 2P, 24V (M1, M2, M5, M6)	
CONT3P030024V	CONTACTOR 30 AMP, 3P, 24V (M11, M12)	
CONT2P040024V	CONTACTOR 40 AMP, 2P, 24V (M9, M10)	
0130M00055	CUT-OUT SWITCH, HIGH PRESSURE	
0130L00007	CUT-OUT SWITCH, LOW PRESSURE	
PCBDM101	DEFROST CONTROL BOARD	
0130M00038	TERMINAL BOARD	
B1141643	TRANSFORMER 208/230, 24V	

SPECIAL PARTS

0140L00058	GOODMAN LABEL
RP-485	REPAIR PARTS MANUAL
B1757910	SUPPLEMENTAL INSERT (EBTDR)

Top Panel/Tubing Assy

Image 1

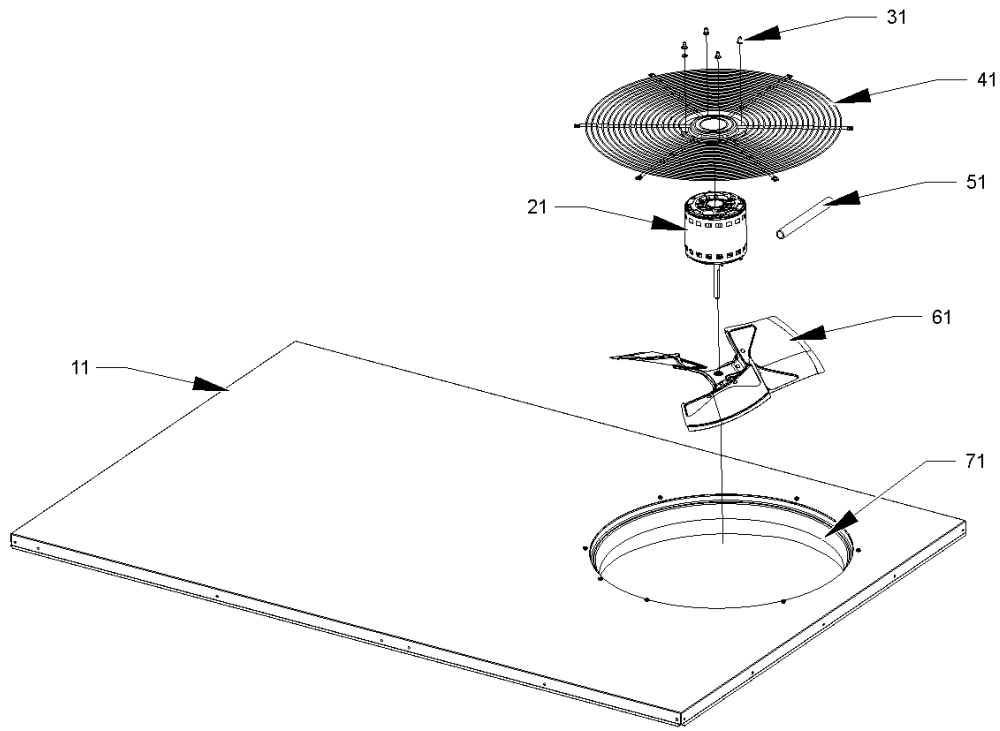
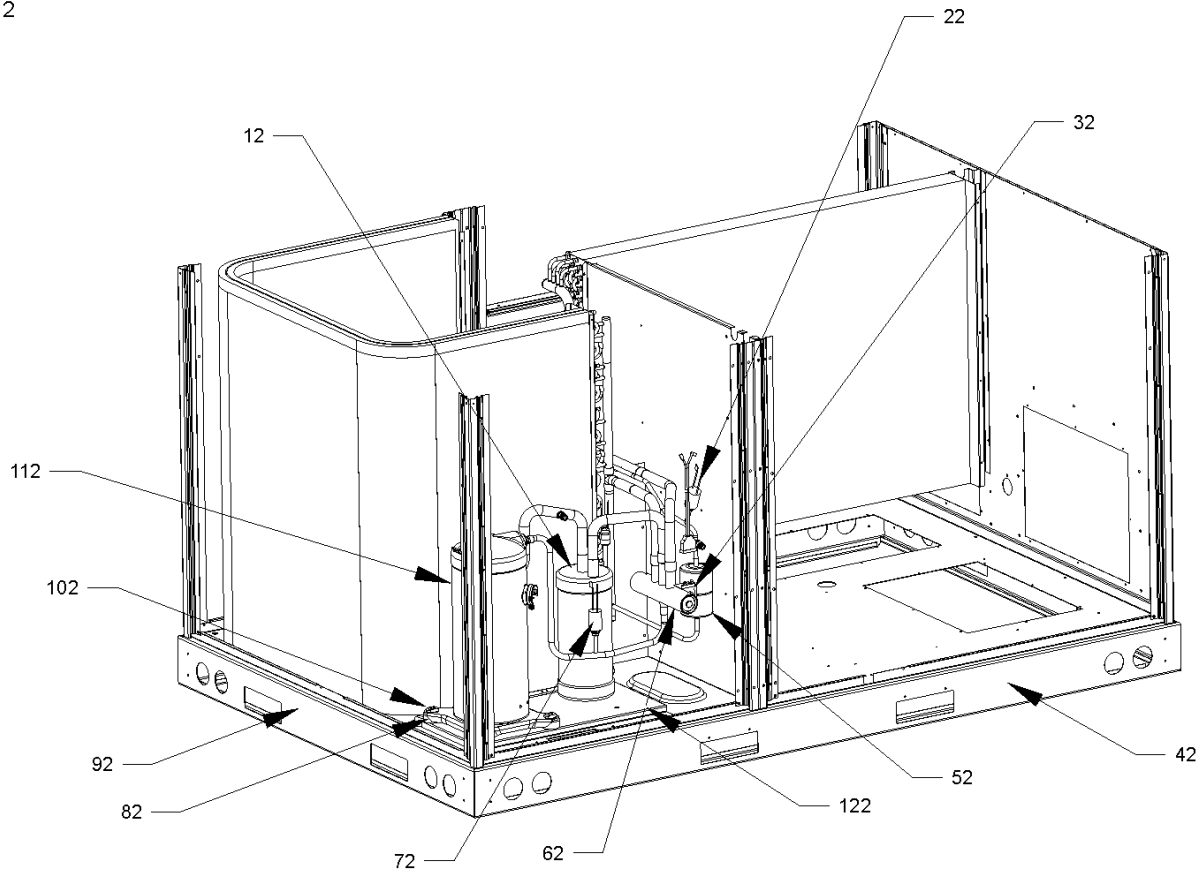


Image 2



Top Panel/Tubing Assy

Ref. Part No:	Ref. Part No:	Description:	Description:
---------------	---------------	--------------	--------------

Image 1:

11	0270L00086	INSULATED ASSY, TOP PANEL
21	0131M00007P	COND MOTOR 1/4 HP, 1 SP, 6 PL
31	0163M00006P	ACORN NUT 5/16 HEX BLACK (QTY 4)
41	0152G00002	FAN GRILLE
51	17788000083F	CONDUIT 8.25" PVC
61	0150G00001	FAN BLADE
71	0161L00000	VENTURI RING 22"

Image 2:

12	B1226206	ACCUMULATOR (M1, M2, M3, M4)
12	B1226207	ACCUMULATOR (M5, M6, M7, M8, M9, M10, M11, M12)
22	0130L00007	CUT-OUT SWITCH, LOW PRESSURE
32	B1225022	SOLENOID COIL
42	0121L00244	SIDE RAIL (QTY 2)
52	B1219204	BI-FLOW FILTER DRIER, STEEL
62	B1227316	REVERSING VALVE (M1, M2, M3, M4)
62	B1227318	REVERSING VALVE (M5, M6, M7, M8, M9, M10, M11, M12)
72	0130M00055	CUT-OUT SWITCH, HIGH PRESSURE
82	B1339533	COMPRESSOR GROMMET (QTY 4)
92	0121L00245	END RAIL (QTY 2)
102	M0221641	TF SHOULDER SCREW (QTY 4)
112	ZP31K5EPFV130	COMPRESSOR 31100, 208/230/60/1 (M1, M2)
112	ZP31K5ETF5130	COMPRESSOR 31200, 200/230/60/3 (M3, M4)
112	ZP39K5ETF5130	COMPRESSOR 39000, 200/230/60/3 (M8)
112	ZP39K5EPFV130	COMPRESSOR 39000, 208/230/60/1 (M5, M6)
112	ZP51K5EPFV130	COMPRESSOR 51000, 208/230/60/1 (M9, M10)
112	ZP51K5ETF5130	COMPRESSOR 51000, 208/230/60/3 (M7, M11, M12)
122	0121L00309	MOUNTING PLATE-COMPRESSOR
NS	0159L00027	COMPRESSOR SCROLL HARNESS (M1, M2, M5, M6, M9, M10)
NS	0159L00028	COMPRESSOR SCROLL HARNESS (M3, M4, M7, M8, M11, M12)

Expanded Model Nomenclature

M1 - CPH036XXX1DXJXBA
M2 - CPH036XXX1DXXXBA
M3 - CPH036XXX3DXJXBA
M4 - CPH036XXX3DXXXBA
M5 - CPH048XXX1DXJXBA
M6 - CPH048XXX1DXXXBA
M7 - CPH048XXX3DXJXBA
M8 - CPH048XXX3DXXXBA
M9 - CPH060XXX1DXJXBA
M10 - CPH060XXX1DXXXBA
M11 - CPH060XXX3DXJXBA
M12 - CPH060XXX3DXXXBA

Cabinet Assy

Image 1

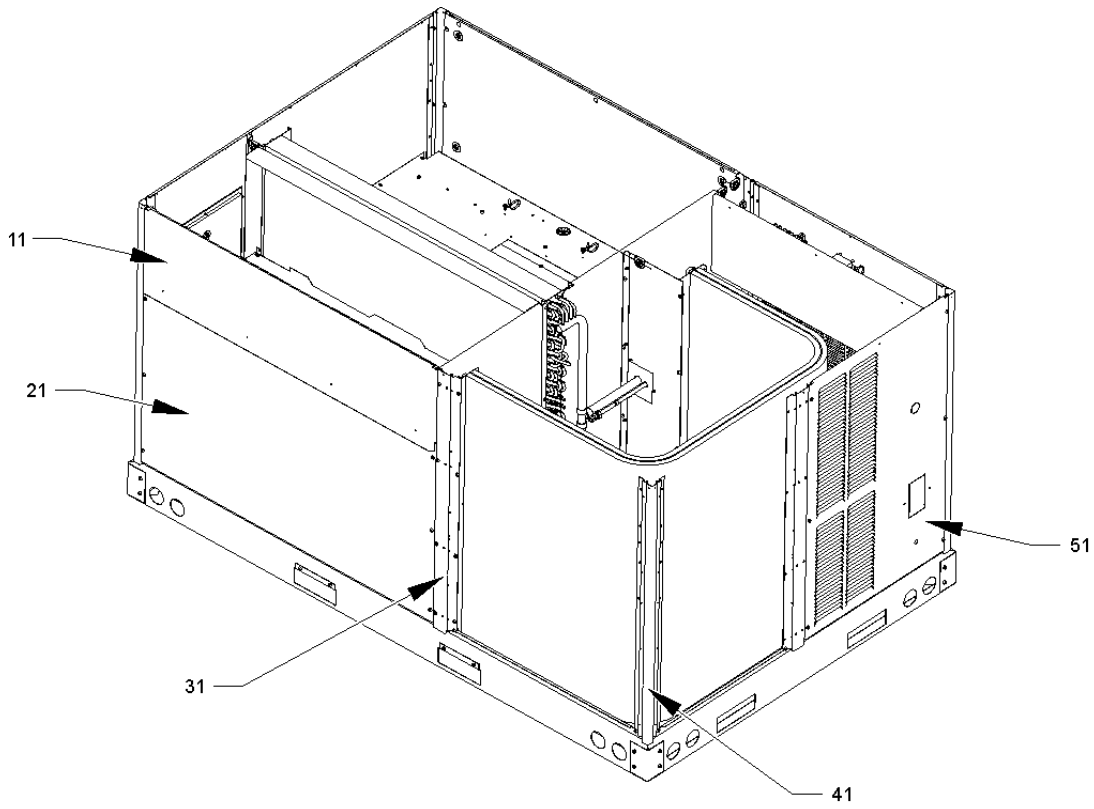
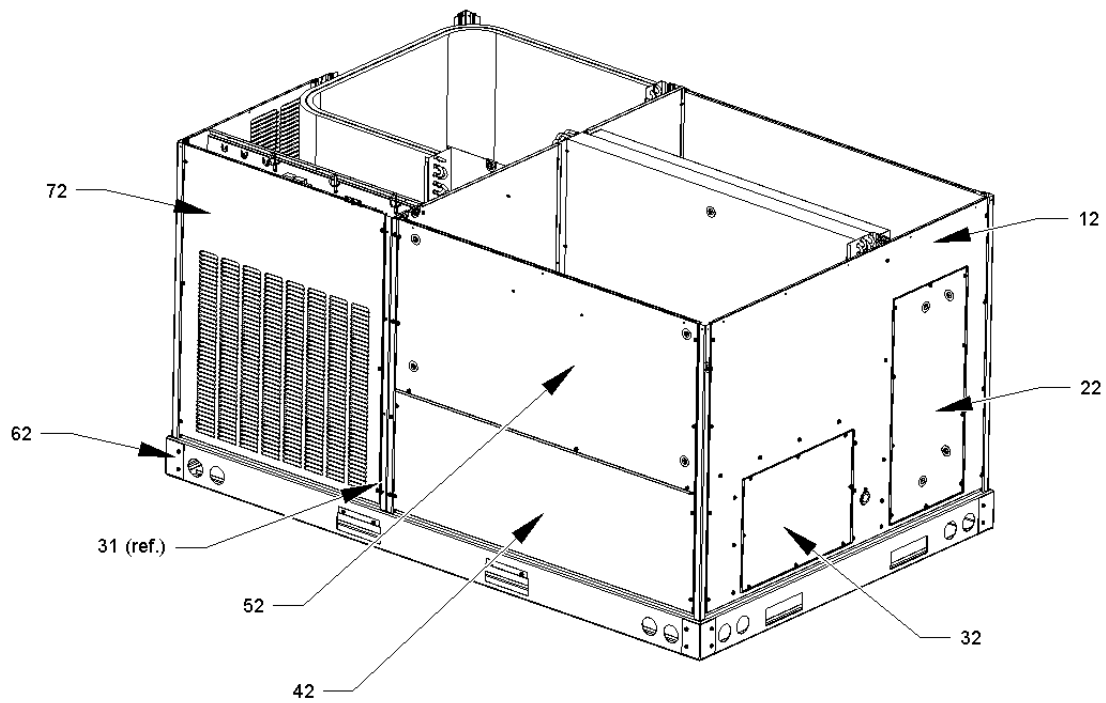


Image 2



Cabinet Assy

Ref. Part No: No:	Description:	Ref. Part No: No:	Description:
-------------------	--------------	-------------------	--------------

Image 1:

11	0270L00080	INSULATED ASSY, FILTER DOOR
21	0270L00081	INSULATED ASSY, ECONOMIZER DOOR
31	0121L00233RFDG	POST-SIDE SUPPORT (QTY 3)
41	0121L00237RFDG	CORNER POST (QTY 4)
51	0121L00263DG	LOUVERED COMPRESSOR PANEL
NS	0140L00058	GOODMAN LABEL

Image 2:

12	0270L00079	INSULATED ASSY, DUCT PANEL
22	0270L00011	INSULATED ASSY, RETURN DUCT
32	0270L00012	INSULATED ASSY, SUPPLY DUCT
42	0121L00279DG	ELECTRIC HEAT DOOR
52	0270L00084	INSULATED ASSY, BLOWER DOOR
62	0121G00301	RAIL CORNER BRACKET (QTY 4)
72	0121L00262DG	LOUVERED CONTROL PANEL

Expanded Model Nomenclature

- M1 - CPH036XXX1DXJXBA
- M2 - CPH036XXX1DXXXBA
- M3 - CPH036XXX3DXJXBA
- M4 - CPH036XXX3DXXXBA
- M5 - CPH048XXX1DXJXBA
- M6 - CPH048XXX1DXXXBA
- M7 - CPH048XXX3DXJXBA
- M8 - CPH048XXX3DXXXBA
- M9 - CPH060XXX1DXJXBA
- M10 - CPH060XXX1DXXXBA
- M11 - CPH060XXX3DXJXBA
- M12 - CPH060XXX3DXXXBA

Partition Assy

Image 1

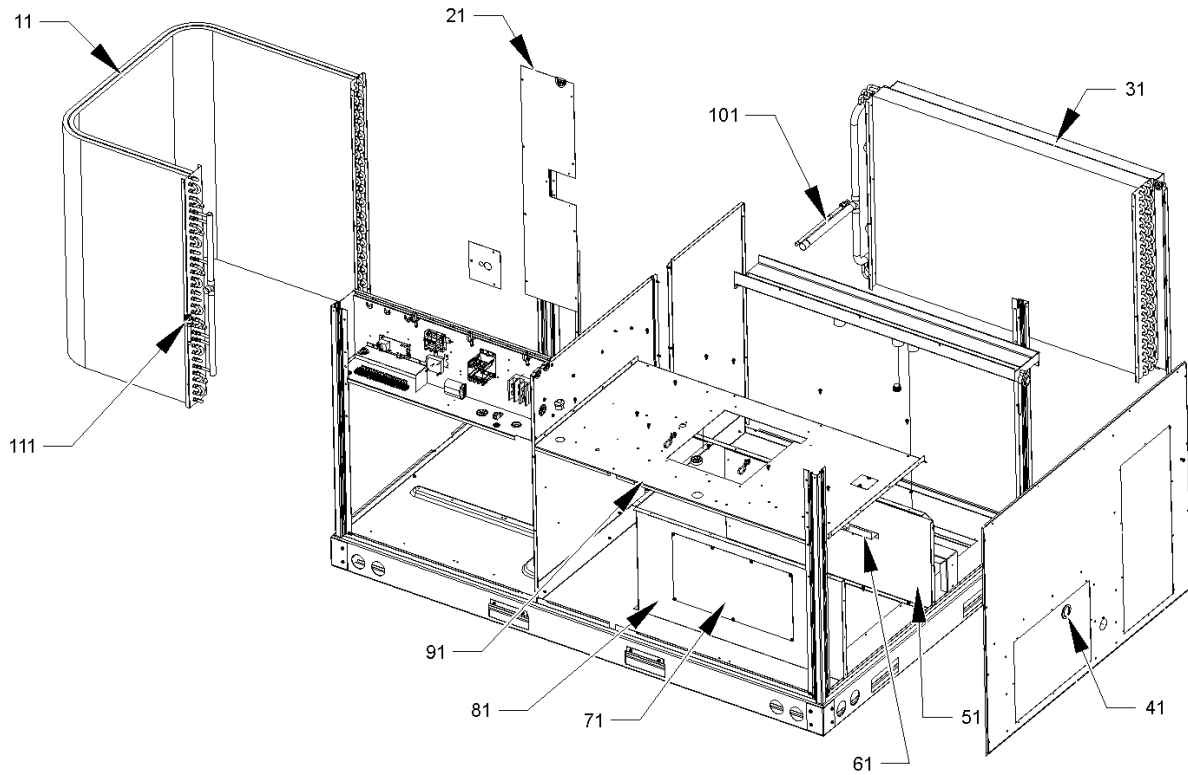
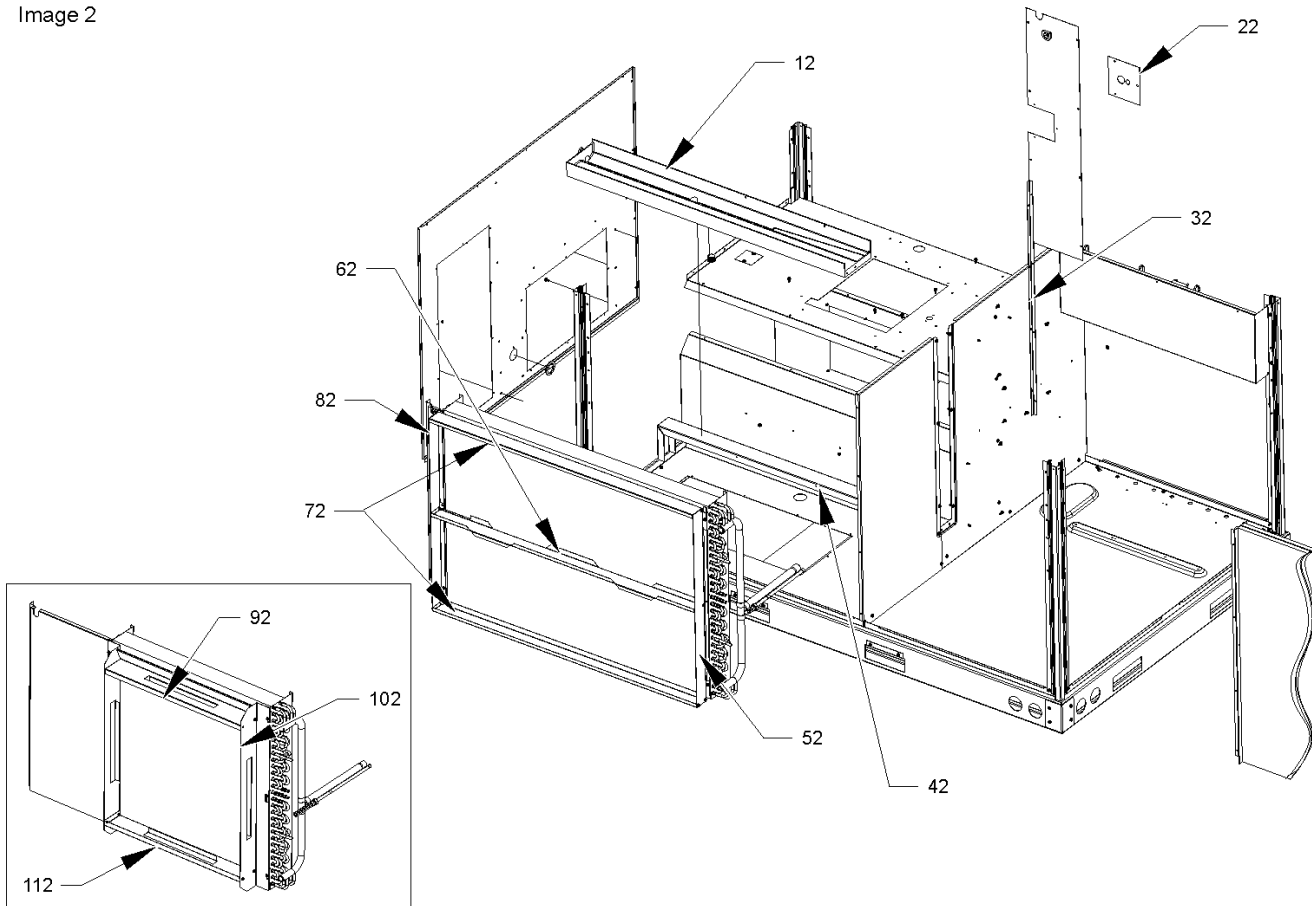


Image 2



Partition Assy

**Ref. Part
No: No:**

Description:

**Ref. Part
No: No:**

Description:

Image 1:

11	0201L00038	TUBING ASSY, COND COIL (M2, M4)
11	0201L00039	TUBING ASSY, COND COIL (M10, M12)
11	0201L00040	TUBING ASSY, COND COIL (M6, M8)
11	0201L00043	TUBING ASSY, COND COIL (M9, M11)
11	0201L00044	TUBING ASSY, COND COIL (M5, M7)
11	0201L00047	TUBING ASSY, COND COIL (M1, M3)
21	0121L00311	COND BLOCK-OFF
31	0202L00020	TUBING ASSY, EVAP COIL (M9, M10, M11, M12)
31	0202L00026	TUBING ASSY, EVAP COIL (M1, M2, M3, M4)
31	0202L00029	TUBING ASSY, EVAP COIL (M5, M6, M7, M8)
41	0154L00009	DRAIN PAN GASKET
51	0121L00243	DECK SIDE CHANNEL
61	0121L00288	ELECTRIC HEAT RETAINER
71	0121L00144	ELECTRIC HEAT COVER
81	0121L00256	ELECTRIC HEAT PANEL
91	0121L00242	BLOWER DECK
101	0162M00108	FLOWRATOR .076 [EVAP] (M5, M6, M7, M8)
101	0162L00012	FLOWRATOR [EVAP] (M9, M10, M11, M12)
101	0162M00097	FLOWRATOR [EVAP] (M1, M2, M3, M4)
111	0162M00106	FLOWRATOR .057 [COND] (M5, M6, M7, M8)
111	0162M00060	FLOWRATOR .065 [COND] (M9, M10, M11, M12)
111	0162M00096	FLOWRATOR [COND] (M1, M2, M3, M4)

Image 2:

12	0161L00005	DRAIN PAN-EVAPORATOR
22	0121L00312	COND BLOCK-OFF PLATE
32	0121L00254	COND MOUNTING ANGLE
42	0121L00238	DRAIN PAN SUPPORT
52	0121L00287	FILTER ANGLE-VERTICAL (RETURN SIDE) (M5, M6, M7, M8, M9, M10, M11, M12)
62	0121L00298	FILTER ANGLE-HORIZONTAL (CENTER) (M5, M6, M7, M8, M9, M10, M11, M12)
72	0121L00286	FILTER ANGLE-HORIZONTAL (M5, M6, M7, M8, M9, M10, M11, M12)
82	0121L00303	FILTER ANGLE-VERTICAL (HAIRPIN SIDE) (M5, M6, M7, M8, M9, M10, M11, M12)
92	0121L00290	FILTER ANGLE-TOP (M1, M2, M3, M4)
102	0121L00292	FILTER ANGLE-VERTICAL (M1, M2, M3, M4)
112	0121L00291	FILTER ANGLE-BOTTOM (M1, M2, M3, M4)
NS	0160L00008	FILTER 14 X 20 X 2 (M5, M6, M7, M8, M9, M10, M11, M12)
NS	0160L00046	FILTER-24 X 24 (M1, M2, M3, M4)

Expanded Model Nomenclature

M1 - CPH036XXX1DXJXBA
M2 - CPH036XXX1DXXXBA
M3 - CPH036XXX3DXJXBA
M4 - CPH036XXX3DXXXBA
M5 - CPH048XXX1DXJXBA
M6 - CPH048XXX1DXXXBA
M7 - CPH048XXX3DXJXBA
M8 - CPH048XXX3DXXXBA
M9 - CPH060XXX1DXJXBA
M10 - CPH060XXX1DXXXBA
M11 - CPH060XXX3DXJXBA
M12 - CPH060XXX3DXXXBA

Blower Assy

Image 1

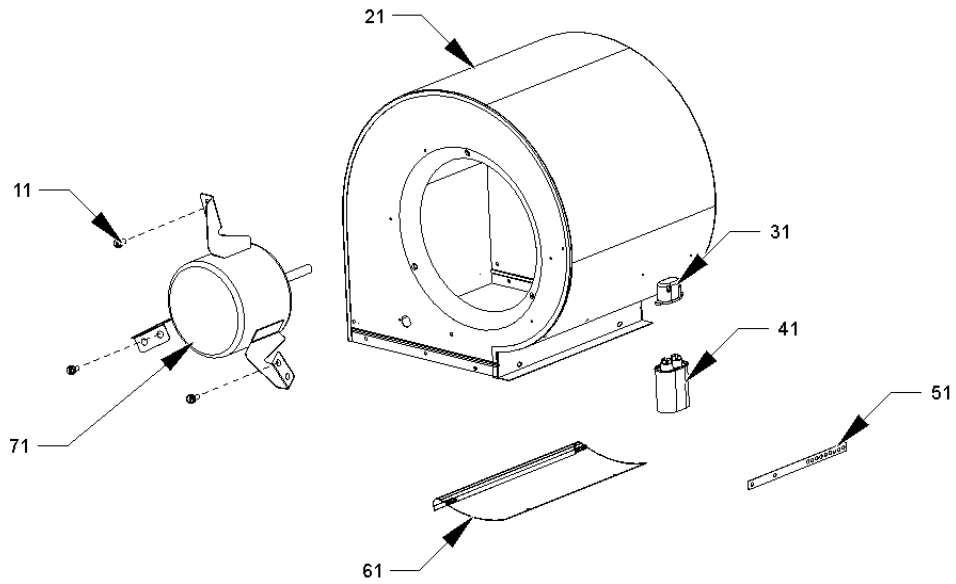
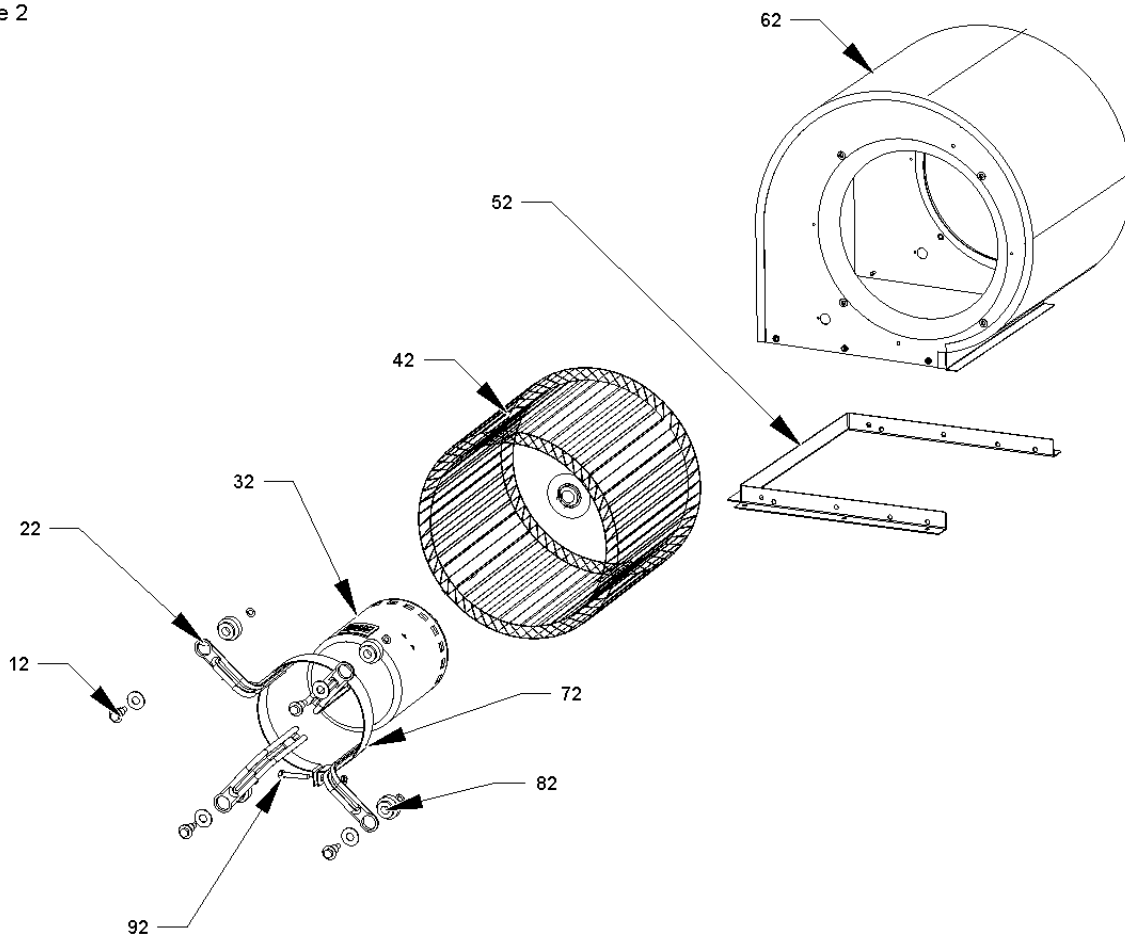


Image 2



Blower Assy

Ref. Part No: No:	Description:	Ref. Part No: No:	Description:
-------------------	--------------	-------------------	--------------

Image 1:

11	M0250558	TC SCREW (M1, M2, M3, M4, M5, M6, M7, M8)
21	11185817	BLOWER HOUSING (M1, M2, M3, M4, M5, M6, M7, M8)
31	B821700	CAPACITOR BOOT (M1, M2, M3, M4, M5, M6, M7, M8)
41	CAP100000370VA	CAPACITOR 10/370V [BLOWER] (M1, M2, M3, M4, M5, M6, M7, M8)
51	20520901	CAPACITOR STRAP (M1, M2, M3, M4, M5, M6, M7, M8)
61	C6121806	BLOWER CUT-OFF (M1, M2, M3, M4, M5, M6, M7, M8)
61	C6121807	BLOWER CUT-OFF (M9, M10, M11, M12)
71	0131M00126	BLOWER MOTOR (M1, M2, M3, M4)
71	0131M00127	BLOWER MOTOR (M5, M6, M7, M8)

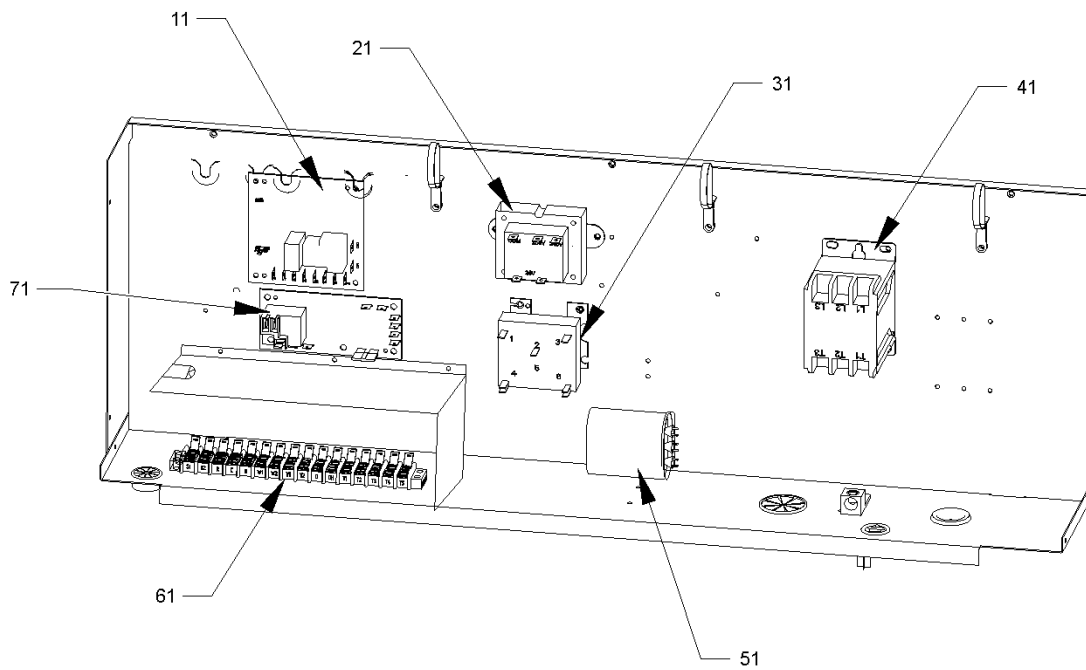
Image 2:

12	M0221461	TC SCREW (M9, M10, M11, M12)
22	10441501	MOTOR MOUNT ARM (M9, M10, M11, M12)
32	0131M00305	BLOWER MOTOR 1 HP PROGRAMMED SELEC (M9, M10, M11, M12)
42	D6723303	BLOWER WHEEL (M1, M2, M3, M4, M5, M6, M7, M8)
42	B1368000	BLOWER WHEEL 11 X 10 (M9, M10, M11, M12)
52	0121L00281	ANGLE-BLOWER MOUNT (M9, M10, M11, M12)
52	0121L00308	ANGLE-BLOWER MOUNT (M1, M2, M3, M4, M5, M6, M7, M8)
62	11185811	BLOWER HOUSING 11 X 10 (M9, M10, M11, M12)
72	10441601	MOTOR MOUNT BAND (M9, M10, M11, M12)
82	A4002702	BLOWER MOTOR GROMMET (M9, M10, M11, M12)
92	M0267144	MACHINE SCREW (M9, M10, M11, M12)

Expanded Model Nomenclature

M1 - CPH036XXX1DXJXBA
M2 - CPH036XXX1DXXXBA
M3 - CPH036XXX3DXJXBA
M4 - CPH036XXX3DXXXBA
M5 - CPH048XXX1DXJXBA
M6 - CPH048XXX1DXXXBA
M7 - CPH048XXX3DXJXBA
M8 - CPH048XXX3DXXXBA
M9 - CPH060XXX1DXJXBA
M10 - CPH060XXX1DXXXBA
M11 - CPH060XXX3DXJXBA
M12 - CPH060XXX3DXXXBA

Control Box Assy



Control Box Assy

Ref. Part No:	Part No:	Description:	Ref. Part No:	Part No:	Description:
---------------	----------	--------------	---------------	----------	--------------

Image 1:

11	PCBDM101	DEFROST CONTROL BOARD
21	B1141643	TRANSFORMER 208/230, 24V
31	0130M00025	24V RELAY (M1, M2, M3, M4, M5, M6, M7, M8)
41	CONT3P025024V	CONTACTOR 25 AMP, 3P, 24V (M3, M4, M7, M8)
41	CONT2P030024V	CONTACTOR 30 AMP, 2P, 24V (M1, M2, M5, M6)
41	CONT3P030024V	CONTACTOR 30 AMP, 3P, 24V (M11, M12)
41	CONT2P040024V	CONTACTOR 40 AMP, 2P, 24V (M9, M10)
51	CAP050000370VA	CAPACITOR 5/370V [CONTROL BOX] (M3, M4, M7, M8, M11, M12)
51	CAP050450370RS	CAPACITOR 5/45/370V [CONTROL BOX] (M1, M2, M5, M6)
51	CAP050700370RT	CAPACITOR 5/70/370V [CONTROL BOX] (M9, M10)
61	0130M00038	TERMINAL BOARD
71	PCBFM103	BOARD, ELECTRONIC BLOWER TIME DELAY RELAY (M1, M2, M3, M4, M5, M6, M7, M8)
NS	20520901	CAPACITOR STRAP
NS	0259L00081	WIRE HARNESS, CONTROL (M1, M2, M3, M4, M5, M6, M7, M8)
NS	0259L00082	WIRE HARNESS, DEFROST (M1, M2, M3, M4, M5, M6, M7, M8)
NS	0259L00079	WIRE HARNESS, EVAP MOTOR (M1, M2, M3, M4, M5, M6, M7, M8)
NS	0130M00021	WIRE HARNESS, X-13 LOW VOLTAGE (M9, M10, M11, M12)
NS	0259L00055	WIRING HARNESS (M9, M10, M11, M12)
NS	0259L00056	WIRING HARNESS (M9, M10, M11, M12)
NS	0259L00057	WIRING HARNESS
NS	0259L00058	WIRING HARNESS (M9, M10, M11, M12)
NS	0259L00061	WIRING HARNESS (M1, M2, M3, M4, M5, M6, M7, M8)
NS	0259L00070	WIRING HARNESS
NS	0259L00072	WIRING HARNESS (M9, M10, M11, M12)
NS	0259L00073	WIRING HARNESS (M9, M10, M11, M12)
NS	0130M00022	X-13 POWER HARNESS (M9, M10, M11, M12)

Expanded Model Nomenclature

M1 - CPH036XXX1DXJXBA
M2 - CPH036XXX1DXXXBA
M3 - CPH036XXX3DXJXBA
M4 - CPH036XXX3DXXXBA
M5 - CPH048XXX1DXJXBA
M6 - CPH048XXX1DXXXBA
M7 - CPH048XXX3DXJXBA
M8 - CPH048XXX3DXXXBA
M9 - CPH060XXX1DXJXBA
M10 -
CPH060XXX1DXXXBA
M11 - CPH060XXX3DXJXBA
M12 -
CPH060XXX3DXXXBA