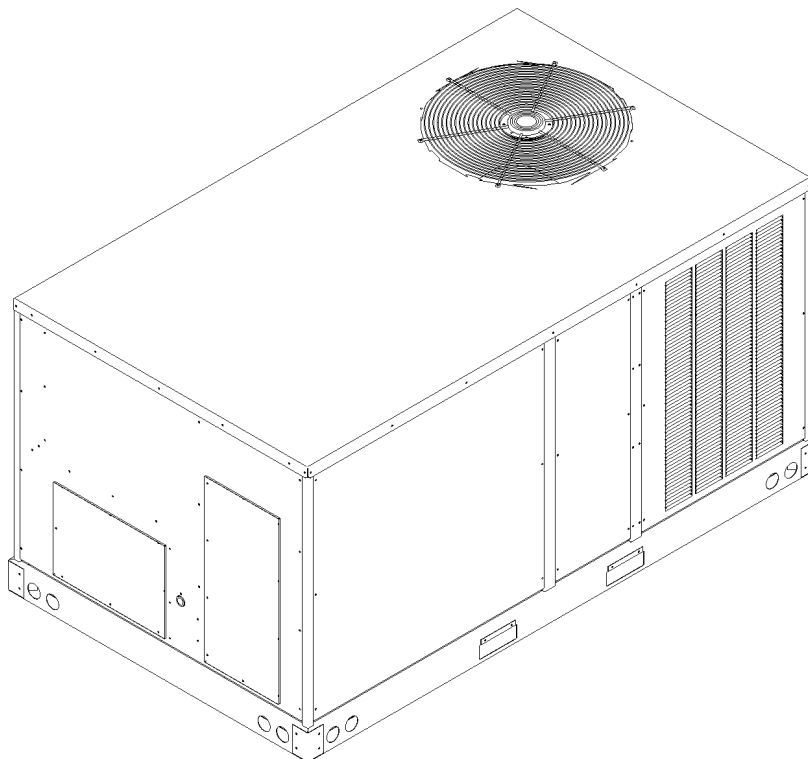


# REPAIR PARTS

## Light Commercial Single Phase 3 - 5 Ton Package Heat Pumps

---

CPH036XXX1DXJXAA  
CPH036XXX1DXXXAA  
CPH048XXX1DXJXAA  
CPH048XXX1DXXXAA  
CPH060XXX1DXJXAA  
CPH060XXX1DXXXAA



This manual is to be used by qualified technicians only.

This manual replaces RP-493A.

© 2008 Goodman Manufacturing Company, L.P. ♦ 5151 San Felipe, Suite 500 ♦ Houston, TX 77056

# Important Information

---

## Index

Functional Parts List .....	3
Illustration and Parts .....	4 - 13

*Views shown are for parts illustrations only, not servicing procedures.*

Rev. B: Added models CPH036XXX1DXJXAA, CPH048XXX1DXJXAA, and CPH060XXX1DXJXAA.

### Text Codes:

AR - As Required

NA - Not Available

NS - Not Shown

00000000 - See Note

QTY - Quantity Example (QTY 3) (If Quantity not shown, Quantity = 1)

M - Model Example (M1) (If M Code not shown, then part is used on all Models)

### Expanded Model Nomenclature:

Example M1 - Model#1 M2 - Model#2 M3 - Model#3
---

Goodman Manufacturing Company, L.P. is not responsible for personal injury or property damage resulting from improper service. Review all service information before beginning repairs.

Warranty service must be performed by an authorized technician, using authorized factory parts. If service is required after the warranty expires, Goodman Manufacturing Company, L.P. also recommends contacting an authorized technician and using authorized factory parts.

Goodman Manufacturing Company, L.P. reserves the right to discontinue, or change at any time, specifications or designs without notice or without incurring obligations.

For assistance within the U.S.A. contact:  
Consumer Affairs Department  
Goodman Manufacturing Company, L.P.  
7401 Security Way  
Houston, Texas 77040  
877-254-4729-Telephone  
713-863-2382-Facsimile

For assistance outside the U.S.A. contact:  
International Division  
Goodman Manufacturing Company, L.P.  
7401 Security Way  
Houston, Texas 77040  
713-861-2500-Telephone  
713-863-2382-Facsimile

# Functional Parts

## Part

## No: Description:

---

0130M00025S	24V RELAY (M1, M2, M3, M4)
B1226207	ACCUMULATOR (M3, M4, M5, M6)
B1226206	ACCUMULATOR (M1, M2)
0131L00000S	BLOWER MOTOR 1 HP PROGRAMMED X13 (M5, M6)
0131M00094S	BLOWER MOTOR 230V (M1, M2)
0131M00091S	BLOWER MOTOR 230V (M3, M4)
PCBFM103S	BOARD, ELECTRONIC BLOWER TIME DELAY RELAY (M1, M2, M3, M4)
CAP100000370VAS	CAPACITOR 10/370V [BLOWER] (M1, M2)
CAP150000370VAS	CAPACITOR 15/370V (M3, M4)
CAP050450370RSS	CAPACITOR 5/45/370V [CONTROL BOX] (M1, M2, M3, M4)
CAP050700370RTS	CAPACITOR 5/70/370V (M5, M6)
ZP32K3EPFV930	COMPRESSOR 31100, 208/230/60/1 (M1, M2)
ZP39K5EPFV830	COMPRESSOR 39000, 208/230/60/1 (M3, M4)
ZP51K5EPFV830	COMPRESSOR 51000, 208/230/60/1 (M5, M6)
0131M00007PS	COND MOTOR 1/4 HP, 1 SP, 8 PL
CONT2P030024VS	CONTACTOR 30 AMP, 2P, 24V (M1, M2, M3, M4)
CONT2P040024VS	CONTACTOR 40 AMP, 2P, 24V (M5, M6)
0130M00030S	CUT-OUT SWITCH, HIGH PRESSURE
0130L00002S	CUT-OUT SWITCH, LOW PRESSURE
PCBDM101S	DEFROST CONTROL BOARD
0130M00048	DEFROST THERMOSTAT (34°/60°)
0130M00038S	TERMINAL BOARD
B1141643	TRANSFORMER 208/230, 24V

### SPECIAL PARTS

0140L00058	GOODMAN LABEL
IO-338D	INSTALLATION INSTRUCTIONS
RP-493B	REPAIR PARTS MANUAL
B1757910	SUPPLEMENTAL INSERT (EBTDR)

### Expanded Model Nomenclature

M1 - CPH036XXX1DXJXAA
M2 - CPH036XXX1DXXXAA
M3 - CPH048XXX1DXJXAA
M4 - CPH048XXX1DXXXAA
M5 - CPH060XXX1DXJXAA
M6 - CPH060XXX1DXXXAA

# Top Panel/Tubing Assy

Image 1

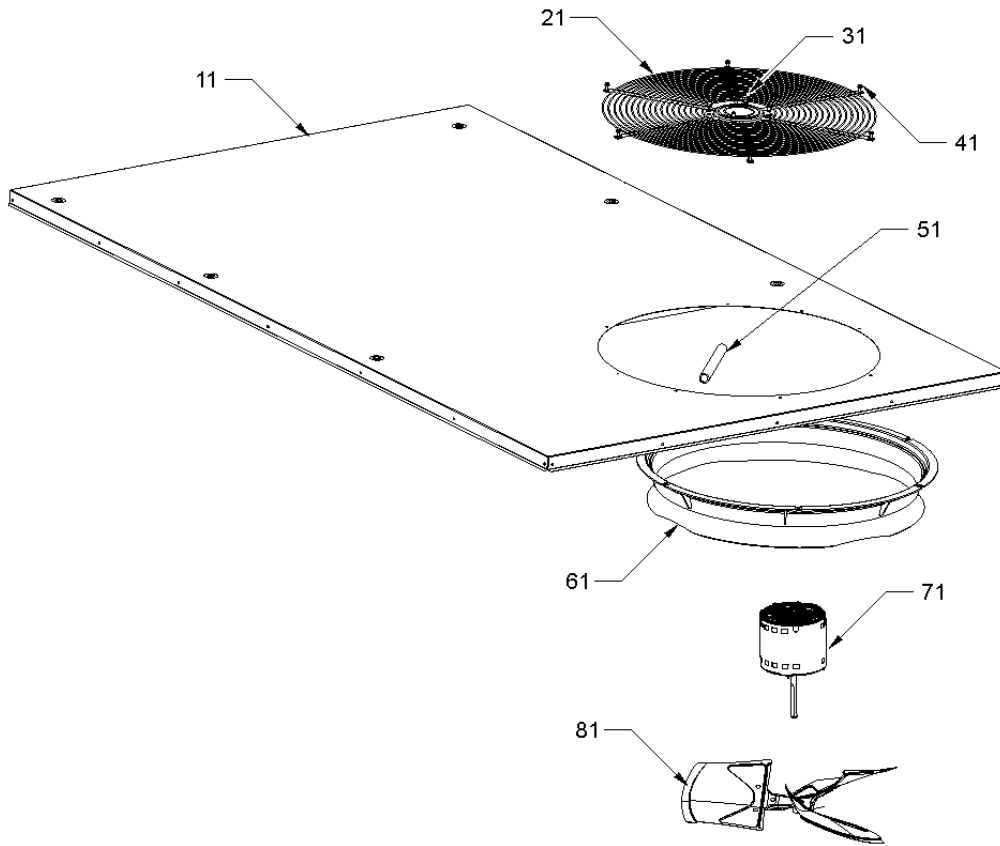
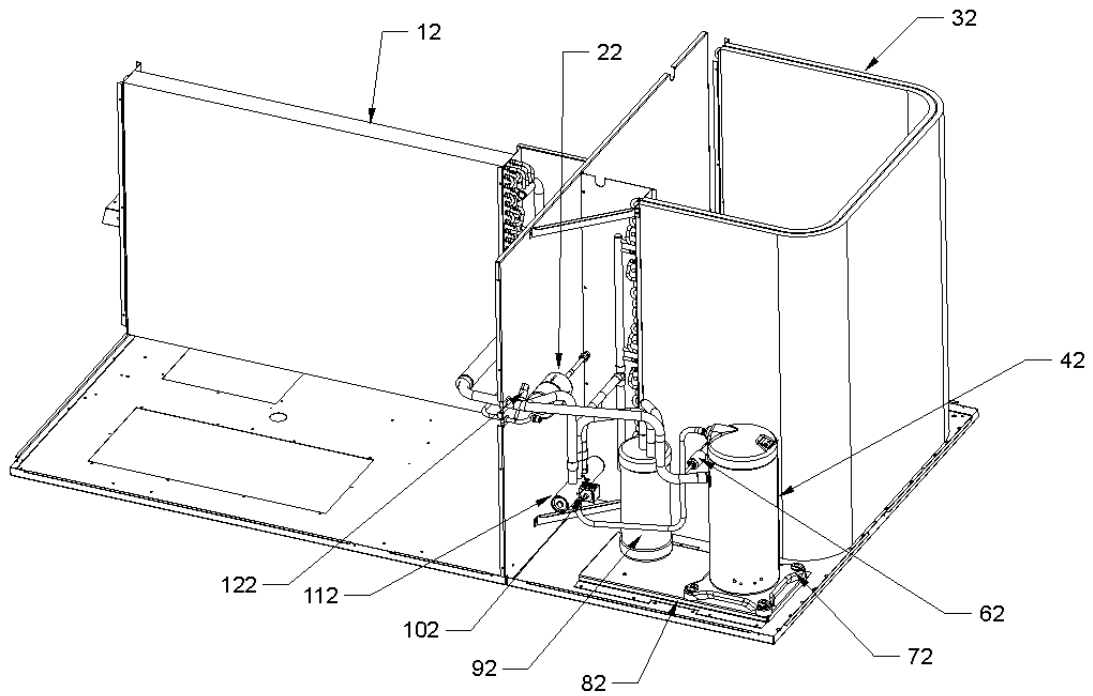


Image 2



# Top Panel/Tubing Assy

<b>Ref. Part</b>			<b>Ref. Part</b>
<b>No: No:</b>	<b>Description:</b>		<b>No: No: Description:</b>

*Image 1:*

11	0274L00001S	INSULATED ASSY, TOP PANEL
21	0152G00002S	FAN GRILLE
31	0163M00006P	ACORN NUT 5/16 HEX BLACK (QTY 4)
41	0163M00004	SCREW #10X3/4", BLACK (QTY 6)
51	17788000083F	PVC CONDUIT 8.25"
61	0161L00000	VENTURI RING 22"
71	0131M00007PS	COND MOTOR 1/4 HP, 1 SP, 8 PL
81	0150G00001S	FAN BLADE
NS	0259L00000	COND MOTOR HARNESS

Expanded Model Nomenclature

M1 - CPH036XXX1DXJXAA
M2 - CPH036XXX1DXXXAA
M3 - CPH048XXX1DXJXAA
M4 - CPH048XXX1DXXXAA
M5 - CPH060XXX1DXJXAA
M6 - CPH060XXX1DXXXAA

*Image 2:*

12	0202L00000S	TUBING ASSY, EVAP COIL (M5, M6)
12	0202L00009S	TUBING ASSY, EVAP COIL (M1, M2)
12	0202L00014S	TUBING ASSY, EVAP COIL (M3, M4)
22	20485201	BI-FLOW FILTER DRIER (M3, M4, M5, M6)
22	B1219204	BI-FLOW FILTER DRIER, STEEL (M1, M2)
32	0201L00000S	TUBING ASSY, COND COIL (M6)
32	0201L00008S	TUBING ASSY, COND COIL (M2)
32	0201L00012S	TUBING ASSY, COND COIL (M4)
32	0201L00019S	TUBING ASSY, COND COIL (M1)
32	0201L00021S	TUBING ASSY, COND COIL (M3)
32	0201L00023S	TUBING ASSY, COND COIL (M5)
42	ZP32K3EPFV930	COMPRESSOR 31100, 208/230/60/1 (M1, M2)
42	ZP39K5EPFV830	COMPRESSOR 39000, 208/230/60/1 (M3, M4)
42	ZP51K5EPFV830	COMPRESSOR 51000, 208/230/60/1 (M5, M6)
62	0130M00030S	CUT-OUT SWITCH, HIGH PRESSURE
72	M0221641	TF SHOULDER SCREW (QTY 4)
82	0121L00004	COMPRESSOR MOUNTING PLATE
92	B1226206	ACCUMULATOR (M1, M2)
92	B1226207	ACCUMULATOR (M3, M4, M5, M6)
102	B1225022S	SOLENOID COIL
112	B1227316S	REVERSING VALVE (M1, M2)
112	B1227318S	REVERSING VALVE (M3, M4, M5, M6)
122	0130L00002S	CUT-OUT SWITCH, LOW PRESSURE
NS	B1339533	COMPRESSOR GROMMET (QTY 4)
NS	0159L00000	COMPRESSOR SCROLL HARNESS
NS	0130M00048	DEFROST THERMOSTAT (34°/60°)
NS	0162M00081S	FLOWRATOR .057 [COND] (M3, M4)
NS	0162M00074S	FLOWRATOR .082 [EVAP] (M5, M6)
NS	0162M00073S	FLOWRATOR [COND] (M5, M6)
NS	0162M00079S	FLOWRATOR [COND] (M1, M2)
NS	0162L00003S	FLOWRATOR [EVAP] (M3, M4)
NS	0162M00078S	FLOWRATOR [EVAP] (M1, M2)
NS	0159L00006	HARNESS-COIL

# Cabinet Assy

Image 1

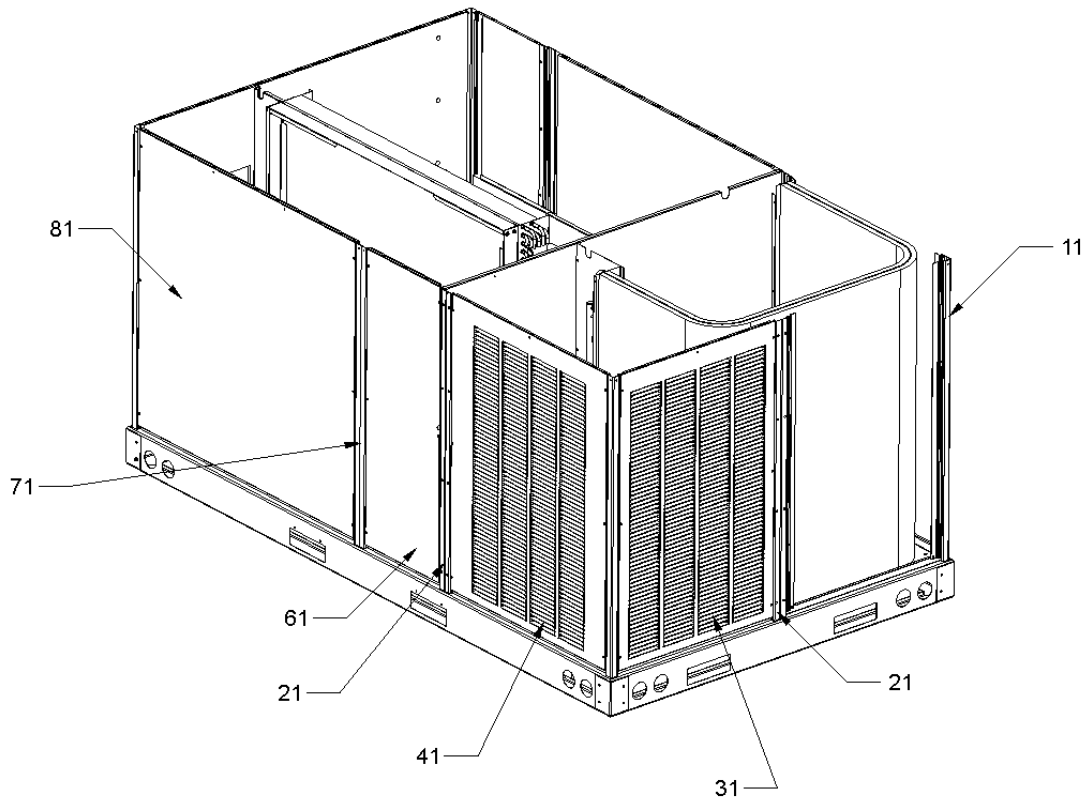
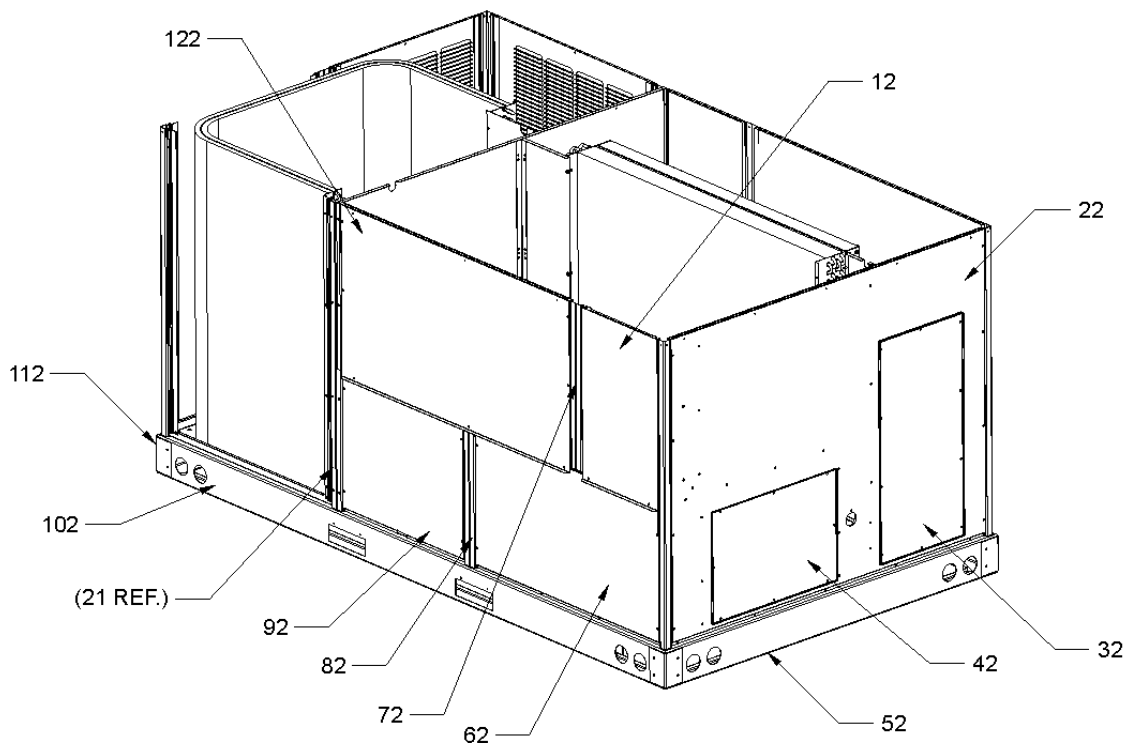


Image 2



# Cabinet Assy

Ref. Part No: No:	Description:	Ref. Part No: No:	Description:
-------------------	--------------	-------------------	--------------

*Image 1:*

11	0121G00253RFDG	CORNER POST 36" (QTY 4)
21	0121G00283RFDG	POST-SIDE SUPPORT (QTY 3)
31	0121L00128DGS	LOUVERED END PANEL
41	0121L00001DGS	LOUVERED SIDE PANEL
61	0270L00004S	INSULATED ASSY, FILTER DOOR
71	0121L00125RFDG	SIDE POST-FILTER DOOR
81	0270L00003S	INSULATED ASSY, ECONOMIZER DOOR
NS	0140L00058	GOODMAN LABEL

*Image 2:*

12	0121G00294DGS	CONTROL DOOR
22	0270L00001S	INSULATED ASSY, DUCT PANEL
32	0270L00011S	INSULATED ASSY, RETURN DUCT
42	0270L00012S	INSULATED ASSY, SUPPLY DUCT
52	0121G00262S	BASEPAN RAIL-SHORT (QTY 2)
62	0270L00018S	INSULATED ASSY, HEAT EXCHANGER DOOR
72	0121G00298RFDG	CONTROL POST
82	0121G00299RFDG	POST-BURNER DOOR
92	0121L00017DG	BURNER DOOR
102	0121G00261	BASEPAN RAIL-LONG (QTY 2)
112	0121G00301	RAIL CORNER BRACKET (QTY 4)
122	0270L00002S	INSULATED ASSY, BLOWER DOOR

Expanded Model Nomenclature

M1 - CPH036XXX1DXJXAA
M2 - CPH036XXX1DXXXAA
M3 - CPH048XXX1DXJXAA
M4 - CPH048XXX1DXXXAA
M5 - CPH060XXX1DXJXAA
M6 - CPH060XXX1DXXXAA

# Partition Assy

Image 1

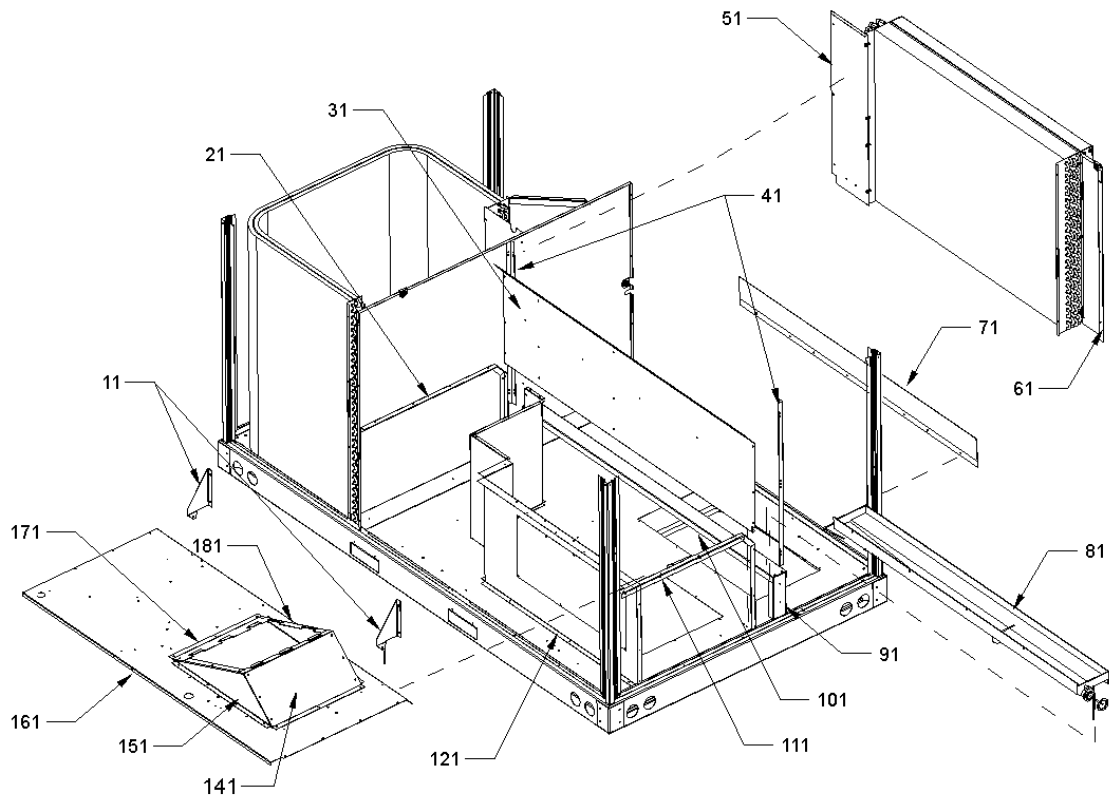
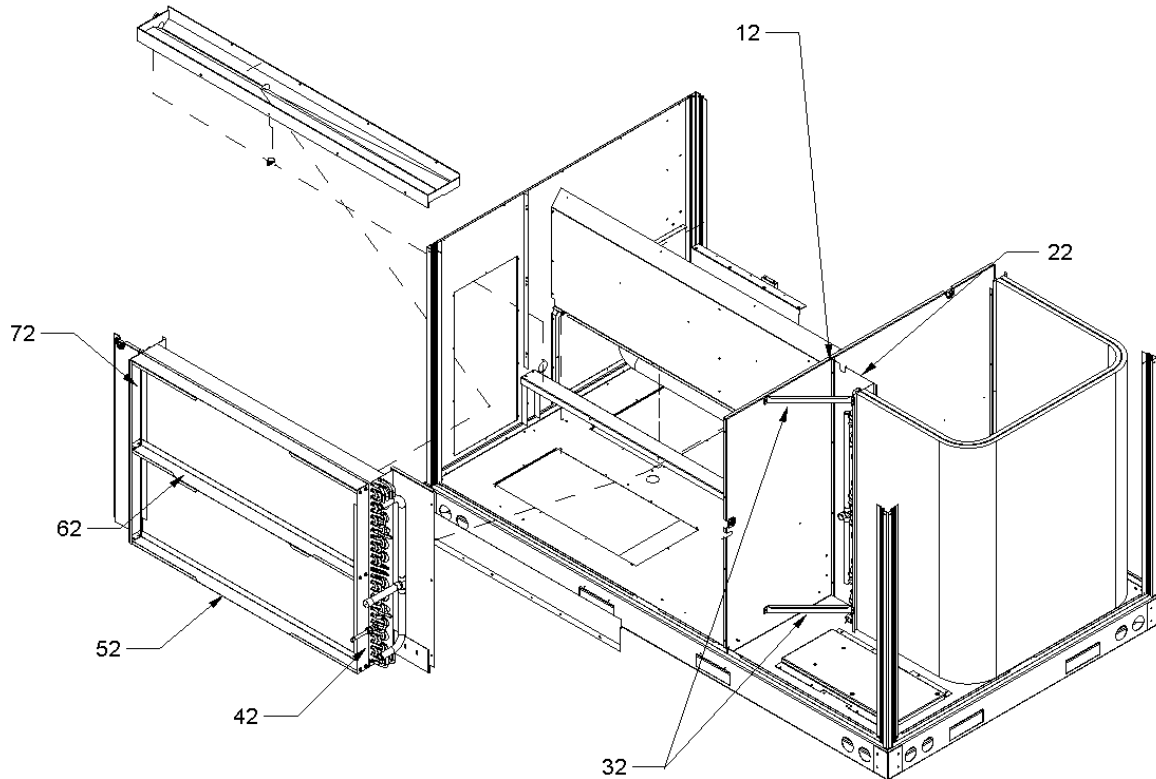


Image 2



# Partition Assy

Ref. Part No:	No:	Description:	Ref. Part No:	No:	Description:
---------------	-----	--------------	---------------	-----	--------------

*Image 1:*

11	0121L00062	EVAP COIL BRACE (QTY 2)
21	0121L00006	MOUNTING ANGLE-DECK, COND END
31	0121L00003	DECK SIDE CHANNEL
41	0121L00005	EVAP MOUNTING ANGLE (QTY 2)
51	0121G00256	EVAP EXTENSION-HAIRPIN SIDE (M3, M4, M5, M6)
51	0121L00153	EVAP EXTENSION-HAIRPIN SIDE (M1, M2)
61	0121G00255	EVAP EXTENSION-RETURN SIDE
71	0121L00016	EVAP BLOW-OFF SHIELD
81	0161L00001	DRAIN PAN
91	0121L00037	SUPPORT LEG, DRAIN PAN
101	0121L00035	DRAIN PAN SUPPORT
111	0121L00007	MOUNTING ANGLE-DECK, DUCT END
121	0121L00160	ELECTRIC HEAT PANEL (M3, M4, M5, M6)
121	0121L00179	ELECTRIC HEAT PANEL (M1, M2)
141	0121G00264	BLOWER TRANSITION, RH END
151	0121G00265	BLOWER TRANSITION, FRONT
161	0121L00159	BLOWER DECK
171	0121G00267	BLOWER TRANSITION, LH END (M5, M6)
171	0121L00151	BLOWER TRANSITION, LH END (M1, M2, M3, M4)
181	0121G00266	BLOWER TRANSITION, BACK
NS	0121L00036	SUPPORT LEG, DRAIN PAN

*Image 2:*

12	0121L00008	COND MOUNTING ANGLE
22	0121G00258	COND BLOCK-OFF
32	0121L00064	COND COIL BRACE (QTY 2)
42	0121L00204	FILTER ANGLE-VERTICAL (RETURN SIDE)
52	0121L00206	FILTER ANGLE-HORIZONTAL (QTY 2)
62	0121L00220	FILTER RACK STRAP (QTY 2)
72	0121L00205	FILTER ANGLE-VERTICAL (HAIRPIN SIDE)
NS	0160L00008	FILTER 14 X 20 X 2 (QTY 4)

Expanded Model Nomenclature

M1 - CPH036XXX1DXJXAA
M2 - CPH036XXX1DXXXAA
M3 - CPH048XXX1DXJXAA
M4 - CPH048XXX1DXXXAA
M5 - CPH060XXX1DXJXAA
M6 - CPH060XXX1DXXXAA

# Blower Assy

Image 1

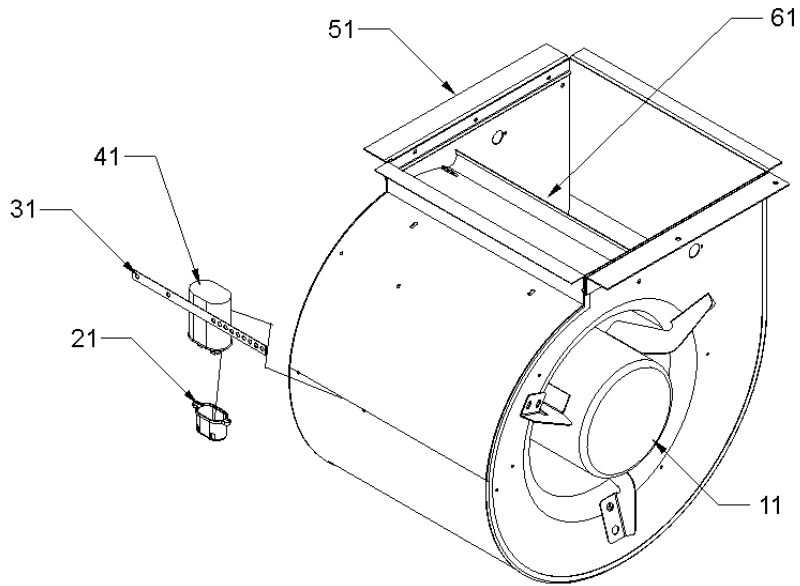
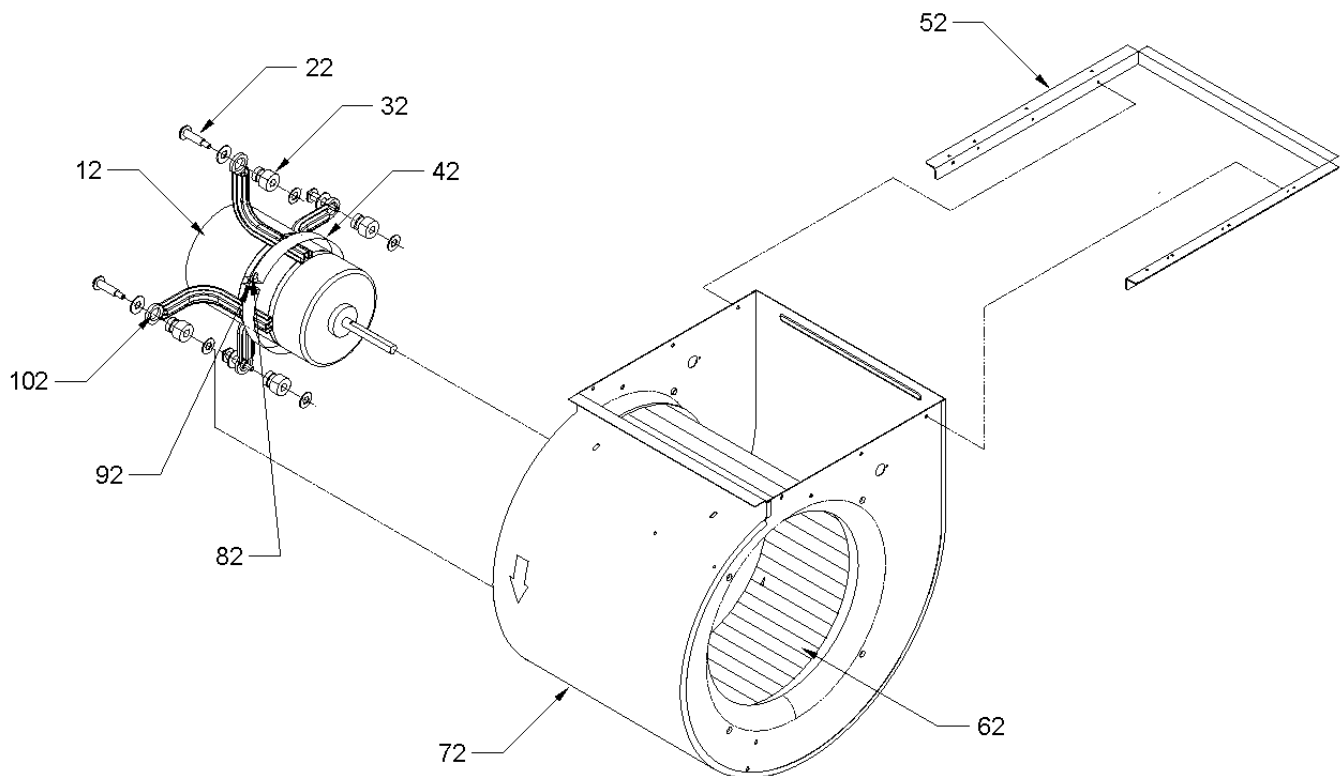


Image 2



# Blower Assy

Ref. Part No:	Ref. Part No:	Description:	Description:
---------------	---------------	--------------	--------------

*Image 1:*

11	0131M00091S	BLOWER MOTOR 230V (M3, M4)
11	0131M00094S	BLOWER MOTOR 230V (M1, M2)
21	B821700	CAPACITOR BOOT (M1, M2, M3, M4)
31	20520901	CAPACITOR STRAP (QTY 4)
41	CAP100000370VAS	CAPACITOR 10/370V [BLOWER] (M1, M2)
41	CAP150000370VAS	CAPACITOR 15/370V (M3, M4)
51	0121L00150	BLOWER MOUNTING ANGLE (M1, M2, M3, M4)
61	C6121806	BLOWER CUT-OFF (M1, M2, M3, M4)
61	C6121807	BLOWER CUT-OFF (M5, M6)
NS	M0250558	TC SCREW (M1, M2, M3, M4)

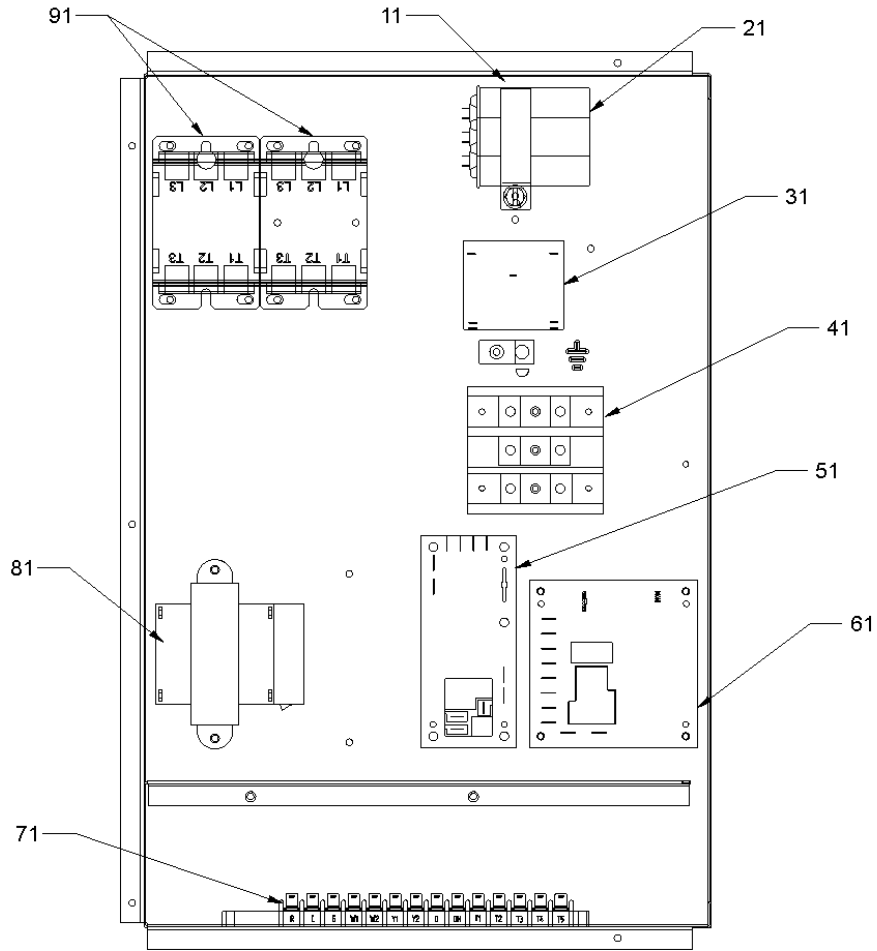
*Image 2:*

12	0131L00000S	BLOWER MOTOR 1 HP PROGRAMMED X13 (M5, M6)
22	M0221461	TC SCREW (M5, M6)
32	A4002702	BLOWER MOTOR GROMMET (M5, M6)
42	10441601	MOTOR MOUNT BAND (M5, M6)
52	0121L00022S	BLOWER MOUNTING ANGLE (M5, M6)
62	0150L00000S	BLOWER WHEEL (M5, M6)
62	0150M00014S	BLOWER WHEEL (M1, M2, M3, M4)
72	11185817	BLOWER HOUSING (M1, M2, M3, M4)
72	11185811	BLOWER HOUSING 11 X 10 (M5, M6)
82	M0282015	KEPS NUT (M5, M6)
92	M0267144	MACHINE SCREW (M5, M6)
102	10441501	MOTOR MOUNT ARM (M5, M6)

Expanded Model Nomenclature

M1 - CPH036XXX1DXJXAA
M2 - CPH036XXX1DXXXAA
M3 - CPH048XXX1DXJXAA
M4 - CPH048XXX1DXXXAA
M5 - CPH060XXX1DXJXAA
M6 - CPH060XXX1DXXXAA

# Control Panel



# Control Panel

Ref. Part No:	Ref. Part No:	Description:	Description:
---------------	---------------	--------------	--------------

Image 1:

11	20520901	CAPACITOR STRAP
21	CAP050450370RSS	CAPACITOR 5/45/370V [CONTROL BOX] (M1, M2, M3, M4)
21	CAP050700370RTS	CAPACITOR 5/70/370V (M5, M6)
31	0130M00025S	24V RELAY (M1, M2, M3, M4)
41	16220-2S	POWER BLOCK
51	PCBDM101S	DEFROST CONTROL BOARD
61	PCBFM103S	BOARD, ELECTRONIC BLOWER TIME DELAY RELAY (M1, M2, M3, M4)
71	0130M00038S	TERMINAL BOARD
81	B1141643	TRANSFORMER 208/230, 24V
91	CONT2P030024VS	CONTACTOR 30 AMP, 2P, 24V (M1, M2, M3, M4)
91	CONT2P040024VS	CONTACTOR 40 AMP, 2P, 24V (M5, M6)
NS	0259L00006	CONTROL HARNESS 230V (M5, M6)
NS	0259L00037	CONTROL HARNESS 230V (M1, M2, M3, M4)
NS	0259L00005	ECONOMIZER HARNESS
NS	0259L00036	EVAP MOTOR HARNESS, PSC (M1, M2, M3, M4)
NS	0259L00012	POWER HARNESS-SINGLE PHASE
NS	0259L00004	WIRE HARNESS, ELECTRIC HEAT (M5, M6)
NS	0259L00035	WIRE HARNESS, ELECTRIC HEAT (M1, M2, M3, M4)
NS	0130M00021	WIRE HARNESS, X-13 LOW VOLTAGE (M5, M6)
NS	0130M00022	X-13 POWER HARNESS (M5, M6)

Expanded Model Nomenclature

M1 - CPH036XXX1DXJXAA
M2 - CPH036XXX1DXXXAA
M3 - CPH048XXX1DXJXAA
M4 - CPH048XXX1DXXXAA
M5 - CPH060XXX1DXJXAA
M6 - CPH060XXX1DXXXAA