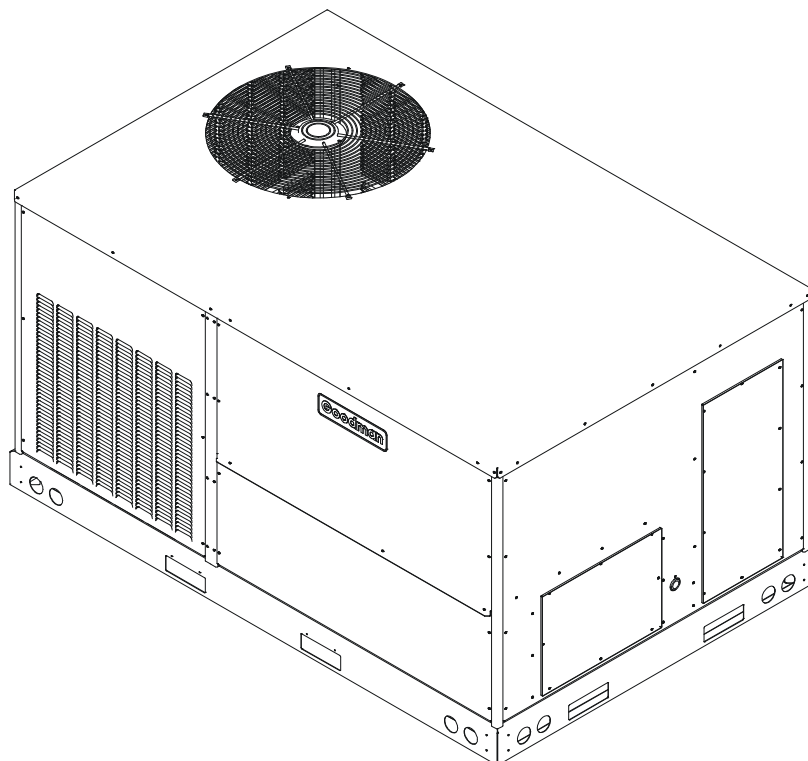




# REPAIR PARTS

## Commercial 3-5 Ton Package Heat Pumps - Direct Drive

- CPH036XXX1DXJXBB
- CPH036XXX1DXXXBB
- CPH036XXX3DXJXBB
- CPH036XXX3DXXXBB
- CPH048XXX1DXJXBB
- CPH048XXX1DXXXBB
- CPH048XXX3DXJXBB
- CPH048XXX3DXXXBB
- CPH0600153DXJXBB
- CPH0600203DHXXXBB
- CPH060XXX1DXJXBB
- CPH060XXX1DXXXBB
- CPH060XXX3DXJXBB
- CPH060XXX3DXXXBB
- CPH060XXX3DXXXBB



This manual is to be used by qualified technicians only.

This manual replaces RP-632A.

© 2012-2013 Goodman Manufacturing Company, L.P. ♦ 5151 San Felipe, Suite 500 ♦ Houston, TX 77056

# Important Information

---

## Index

Functional Parts List .....	3
Illustration and Parts .....	4 - 15

*Views shown are for parts illustrations only, not servicing procedures.*

### Text Codes:

AR - As Required

NA - Not Available

NS - Not Shown

00000000 - See Note

QTY - Quantity Example (QTY 3) (If Quantity not shown, Quantity = 1)

M - Model Example (M1) (If M Code not shown, then part is used on all Models)

### Expanded Model Nomenclature:

Example M1 - Model#1 M2 - Model#2 M3 - Model#3
---

Goodman Manufacturing Company, L.P. is not responsible for personal injury or property damage resulting from improper service. Review all service information before beginning repairs.

Warranty service must be performed by an authorized technician, using authorized factory parts. If service is required after the warranty expires, Goodman Manufacturing Company, L.P. also recommends contacting an authorized technician and using authorized factory parts.

Goodman Manufacturing Company, L.P. reserves the right to discontinue, or change at any time, specifications or designs without notice or without incurring obligations.

For assistance within the U.S.A. contact:  
Consumer Affairs Department  
Goodman Manufacturing Company, L.P.  
7401 Security Way  
Houston, Texas 77040  
877-254-4729-Telephone  
713-863-2382-Facsimile

For assistance outside the U.S.A. contact:  
International Division  
Goodman Manufacturing Company, L.P.  
7401 Security Way  
Houston, Texas 77040  
713-861-2500-Telephone  
713-863-2382-Facsimile

# Functional Parts

## Part

## No: Description:

B1141643 TRANSFORMER 208/230, 24V

0130M00025	24V RELAY (M1, M2, M3, M4, M5, M6, M7, M8)
B1226206	ACCUMULATOR (M1, M2, M3, M4)
B1226207	ACCUMULATOR .875 (M5, M6, M7, M8, M9, M10, M11, M12, M13, M14, M15)
0131M00127	BLOWER MOTOR (M5, M6, M7, M8)
0131M00126	BLOWER MOTOR (M1, M2, M3, M4)
0131M00305	BLOWER MOTOR 1 HP PROGRAMMED (M9, M10, M11, M12, M13, M14, M15)
D6723303	BLOWER WHEEL (M1, M2, M3, M4, M5, M6, M7, M8)
B1368000	BLOWER WHEEL 11 X 10 (M9, M10, M11, M12, M13, M14, M15)
CAP100000370VA	CAPACITOR 10/370V [BLOWER] (M1, M2, M3, M4)
CAP150000370VA	CAPACITOR 15/370V (M5, M6, M7, M8)
CAP050000370VA	CAPACITOR 5/370V (M3, M4, M7, M8, M11, M12, M13, M14, M15)
CAP050450440RT	CAPACITOR 5/45/440V (M1, M2, M5, M6)
CAP050700440RT	CAPACITOR 5/70/440V (M9, M10)
ZP31K5EPFV130	COMPRESSOR 31100, 208/230/60/1 (M1, M2)
ZP31K5ETF5130	COMPRESSOR 31200, 200/230/60/3 (M3, M4)
ZP39K5ETF5130	COMPRESSOR 39000, 200/230/60/3 (M8)
ZP39K5EPFV130	COMPRESSOR 39000, 208/230/60/1 (M5, M6)
ZP51K5EPFV130	COMPRESSOR 51000, 208/230/60/1 (M9, M10)
ZP51K5ETF5130	COMPRESSOR 51000, 208/230/60/3 (M7, M11, M12, M13, M14, M15)
0131M00429	COND MOTOR 1/4 HP, 1 SP, 6 PL
CONT3P025024V	CONTACTOR 25 AMP, 3P, 24V (M3, M4, M7, M8)
CONT1P030024V	CONTACTOR 30 AMP, 1P, 24V (M1, M2, M5, M6)
CONT3P030024V	CONTACTOR 30 AMP, 3P, 24V (M11, M12, M13, M14, M15)
CONT2P040024V	CONTACTOR 40 AMP, 2P, 24V (M9, M10)
0130M00100	CONTROL, DEFROST
PCBFM131	ELECTRONIC BLOWER TIME DELAY RELAY (M1, M2, M3, M4, M5, M6, M7, M8)
0150G00001	FAN BLADE
0130M00074	HIGH PRESSURE SWITCH
0130M00075	LOW PRESSURE SWITCH
PCBDM133	PCB, DEFROST BOARD
0151M00019	REVERSING VALVE (M1, M2, M3, M4)
0151M00021	REVERSING VALVE (M5, M6, M7, M8, M9, M10, M11, M12, M13, M14, M15)
B1225022	SOLENOID COIL
0130M00038	TERMINAL BOARD

### Expanded Model Nomenclature

M1 - CPH036XXX1DXJXBB
M2 - CPH036XXX1DXXXBB
M3 - CPH036XXX3DXJXBB
M4 - CPH036XXX3DXXXBB
M5 - CPH048XXX1DXJXBB
M6 - CPH048XXX1DXXXBB
M7 - CPH048XXX3DXJXBB
M8 - CPH048XXX3DXXXBB
M9 - CPH060XXX1DXJXBB
M10 - CPH060XXX1DXXXBB
M11 - CPH060XXX3DXJXBB
M12 - CPH060XXX3DXXXBB
M13 - CPH060XXX3DXXXBB
M14 - CPH0600153DXJXBB
M15 - CPH0600203DHXXXBB

# Top Panel / Tubing Assembly

Image 1

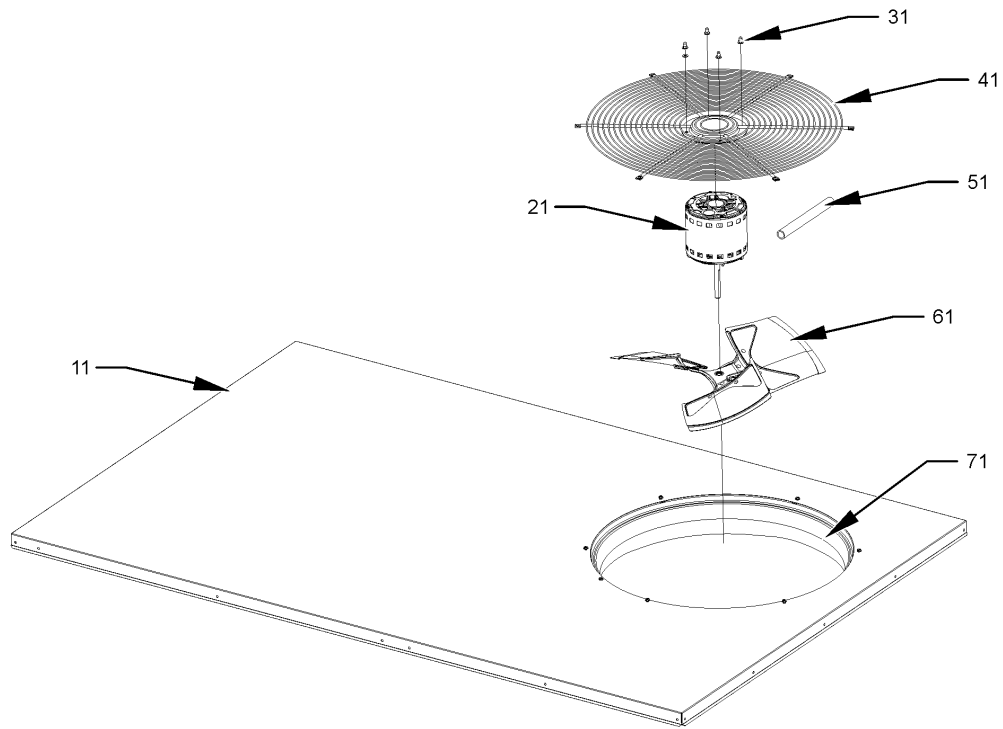
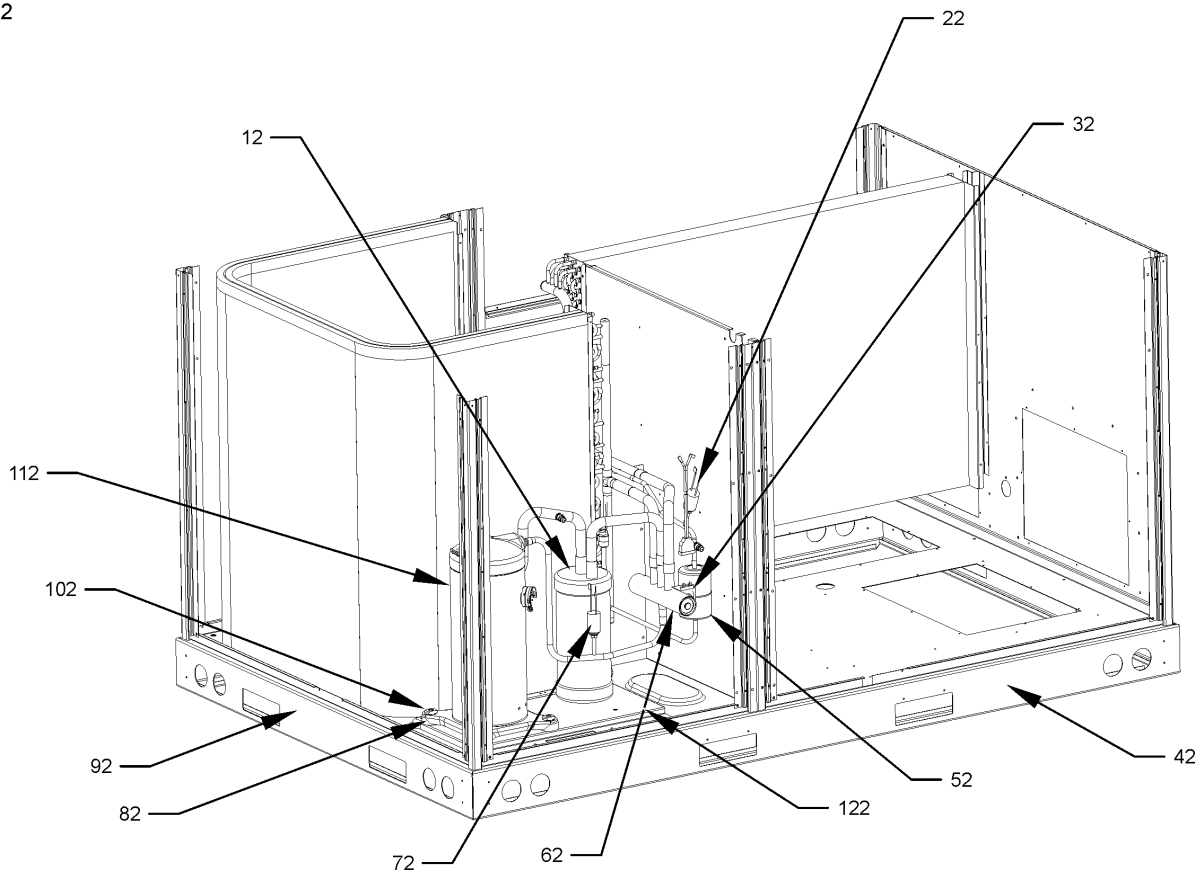


Image 2



# Top Panel / Tubing Assembly

Ref. Part No: No:	Description:	Ref. Part No: No:	Description:
-------------------	--------------	-------------------	--------------

*Image 1:*

11	0270L00086	INSULATED ASSY, TOP PANEL
21	0131M00429	COND MOTOR 1/4 HP, 1 SP, 6 PL
31	0163M00006P	ACORN NUT 5/16 HEX BLACK (QTY 4)
41	0152G00002	FAN GRILLE
51	17788000083F	PVC CONDUIT 8.25"
61	0150G00001	FAN BLADE
71	0161L00000	VENTURI RING 22"

*Image 2:*

12	B1226206	ACCUMULATOR (M1, M2, M3, M4)
12	B1226207	ACCUMULATOR .875 (M5, M6, M7, M8, M9, M10, M11, M12, M13, M14, M15)
22	0130M00075	LOW PRESSURE SWITCH
32	B1225022	SOLENOID COIL
42	0121L00244RF	SIDE RAIL (QTY 2)
52	20485201	BI-FLOW FILTER DRIER
62	0151M00019	REVERSING VALVE (M1, M2, M3, M4)
62	0151M00021	REVERSING VALVE (M5, M6, M7, M8, M9, M10, M11, M12, M13, M14, M15)
72	0130M00074	HIGH PRESSURE SWITCH
82	B1339533	COMPRESSOR GROMMET (QTY 4)
92	0121L00245	END RAIL (QTY 2)
102	M0221641	TF SHOULDER SCREW (QTY 4)
112	ZP31K5EPFV130	COMPRESSOR 31100, 208/230/60/1 (M1, M2)
112	ZP31K5ETF5130	COMPRESSOR 31200, 200/230/60/3 (M3, M4)
112	ZP39K5ETF5130	COMPRESSOR 39000, 200/230/60/3 (M8)
112	ZP39K5EPFV130	COMPRESSOR 39000, 208/230/60/1 (M5, M6)
112	ZP51K5EPFV130	COMPRESSOR 51000, 208/230/60/1 (M9, M10)
112	ZP51K5ETF5130	COMPRESSOR 51000, 208/230/60/3 (M7, M11, M12, M13, M14, M15)
122	0121L00309	COMPRESSOR MOUNTING PLATE
NS	0159L00027	COMPRESSOR SCROLL HARNESS (M1, M2, M5, M6, M9, M10)
NS	0159L00028	COMPRESSOR SCROLL HARNESS (M3, M4, M7, M8, M11, M12, M13, M14, M15)

Expanded Model Nomenclature

M1 - CPH036XXX1DXJXBB
M2 - CPH036XXX1DXXXBB
M3 - CPH036XXX3DXJXBB
M4 - CPH036XXX3DXXXBB
M5 - CPH048XXX1DXJXBB
M6 - CPH048XXX1DXXXBB
M7 - CPH048XXX3DXJXBB
M8 - CPH048XXX3DXXXBB
M9 - CPH060XXX1DXJXBB
M10 - CPH060XXX1DXXXBB
M11 - CPH060XXX3DXJXBB
M12 - CPH060XXX3DXXXBB
M13 - CPH060XXX3DXXXBB
M14 - CPH0600153DXJXBB
M15 - CPH0600203DHXXBB

# Cabinet Assembly

Image 1

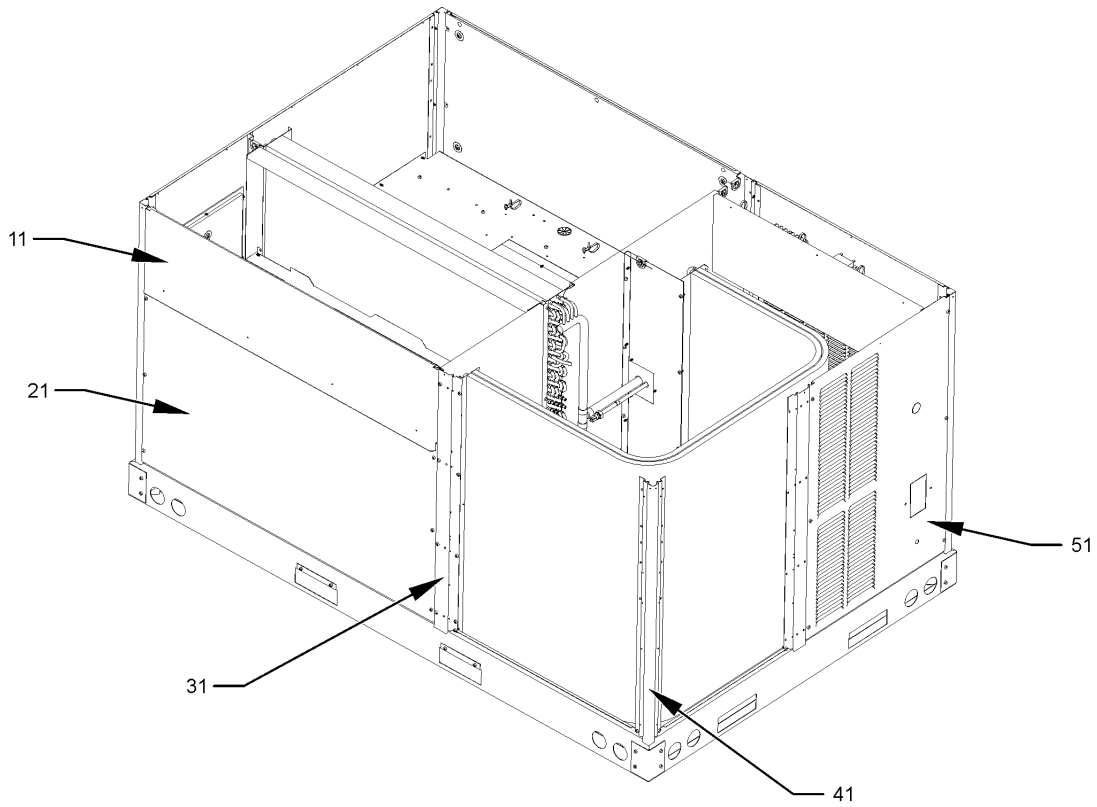
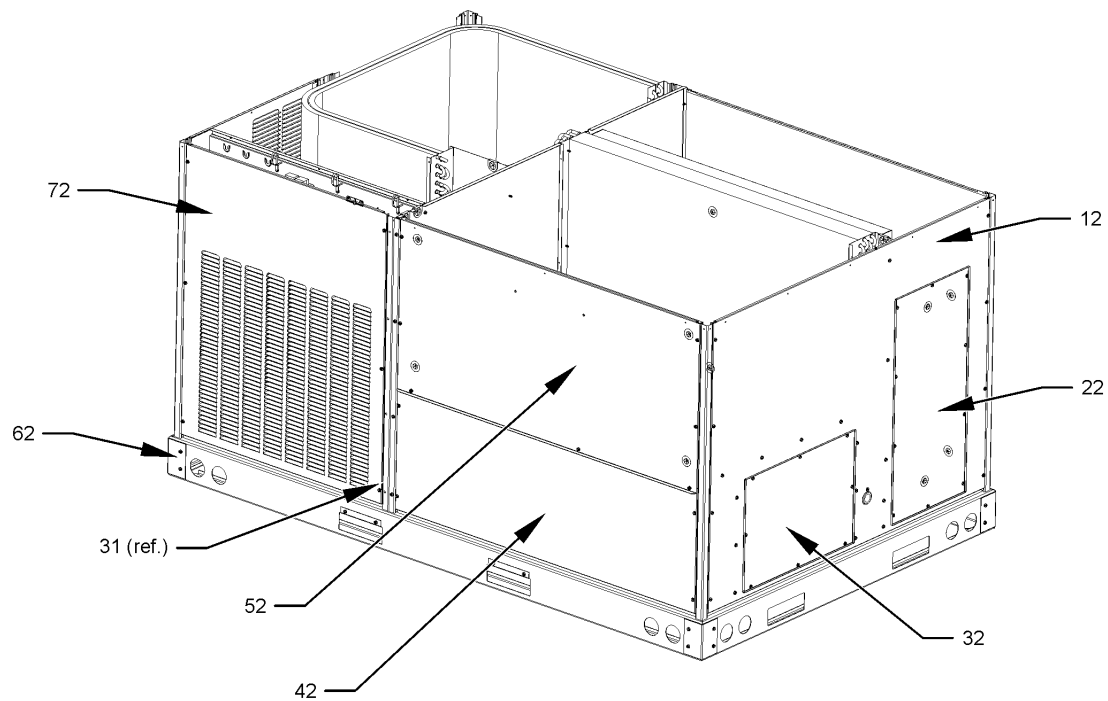


Image 2



# Cabinet Assembly

Ref. Part No:	Part No:	Description:	Ref. Part No:	Part No:	Description:
---------------	----------	--------------	---------------	----------	--------------

*Image 1:*

11	0270L00080	INSULATED ASSY, FILTER DOOR
21	0270L00081	INSULATED ASSY, ECONOMIZER DOOR
31	0121L00233RFDG	POST-SIDE SUPPORT (QTY 3)
41	0121L00237RFDG	CORNER POST (QTY 4)
51	0121L00263DG	LOUVERED COMPRESSOR PANEL
NS	0140L00058	GOODMAN LABEL

*Image 2:*

12	0270L00079	INSULATED ASSY, DUCT PANEL
22	0270L00011	INSULATED ASSY, RETURN DUCT
32	0270L00012	INSULATED ASSY, SUPPLY DUCT
42	0121L00279DG	ELECTRIC HEAT DOOR
52	0270L00084	INSULATED ASSY, BLOWER DOOR
62	0121G00301	RAIL CORNER BRACKET (QTY 4)
72	0121L00262DG	LOUVERED CONTROL PANEL

Expanded Model Nomenclature

M1 - CPH036XXX1DXJXBB
M2 - CPH036XXX1DXXXBB
M3 - CPH036XXX3DXJXBB
M4 - CPH036XXX3DXXXBB
M5 - CPH048XXX1DXJXBB
M6 - CPH048XXX1DXXXBB
M7 - CPH048XXX3DXJXBB
M8 - CPH048XXX3DXXXBB
M9 - CPH060XXX1DXJXBB
M10 - CPH060XXX1DXXXBB
M11 - CPH060XXX3DXJXBB
M12 - CPH060XXX3DXXXBB
M13 - CPH060XXX3DXXXBB
M14 - CPH0600153DXJXBB
M15 - CPH0600203DHXXBB

# Partition Assembly

Image 1

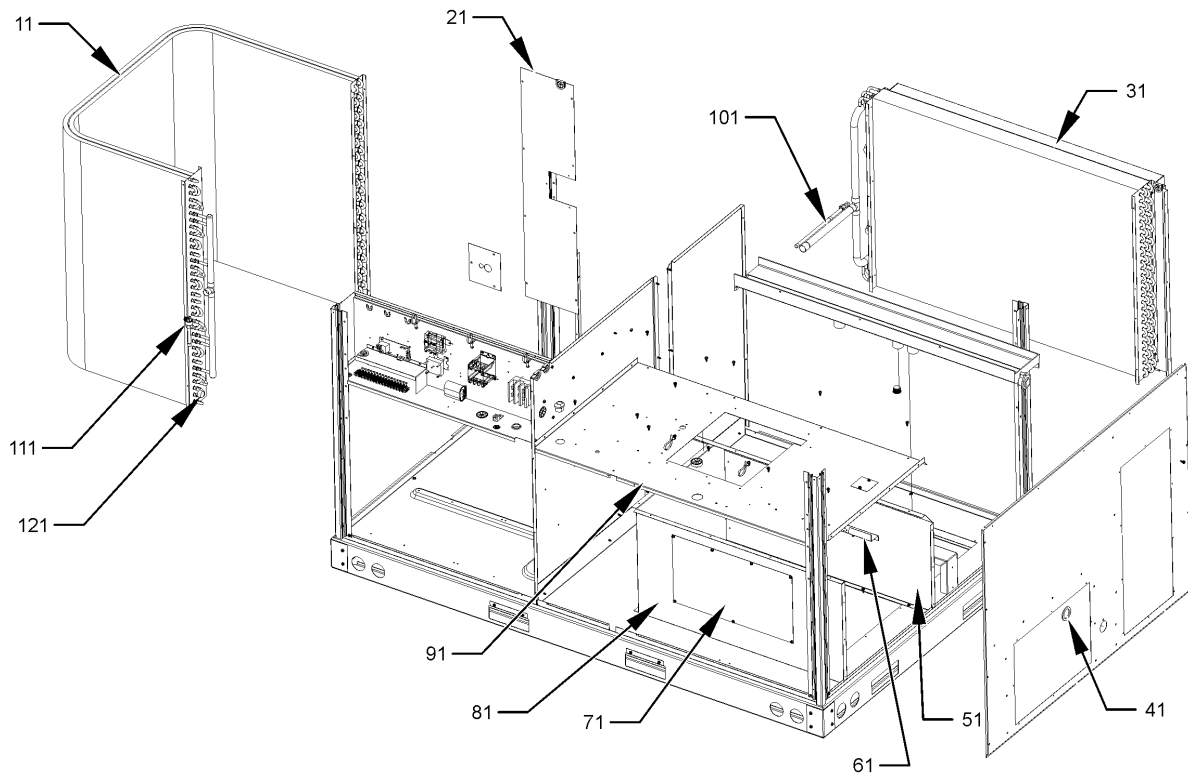
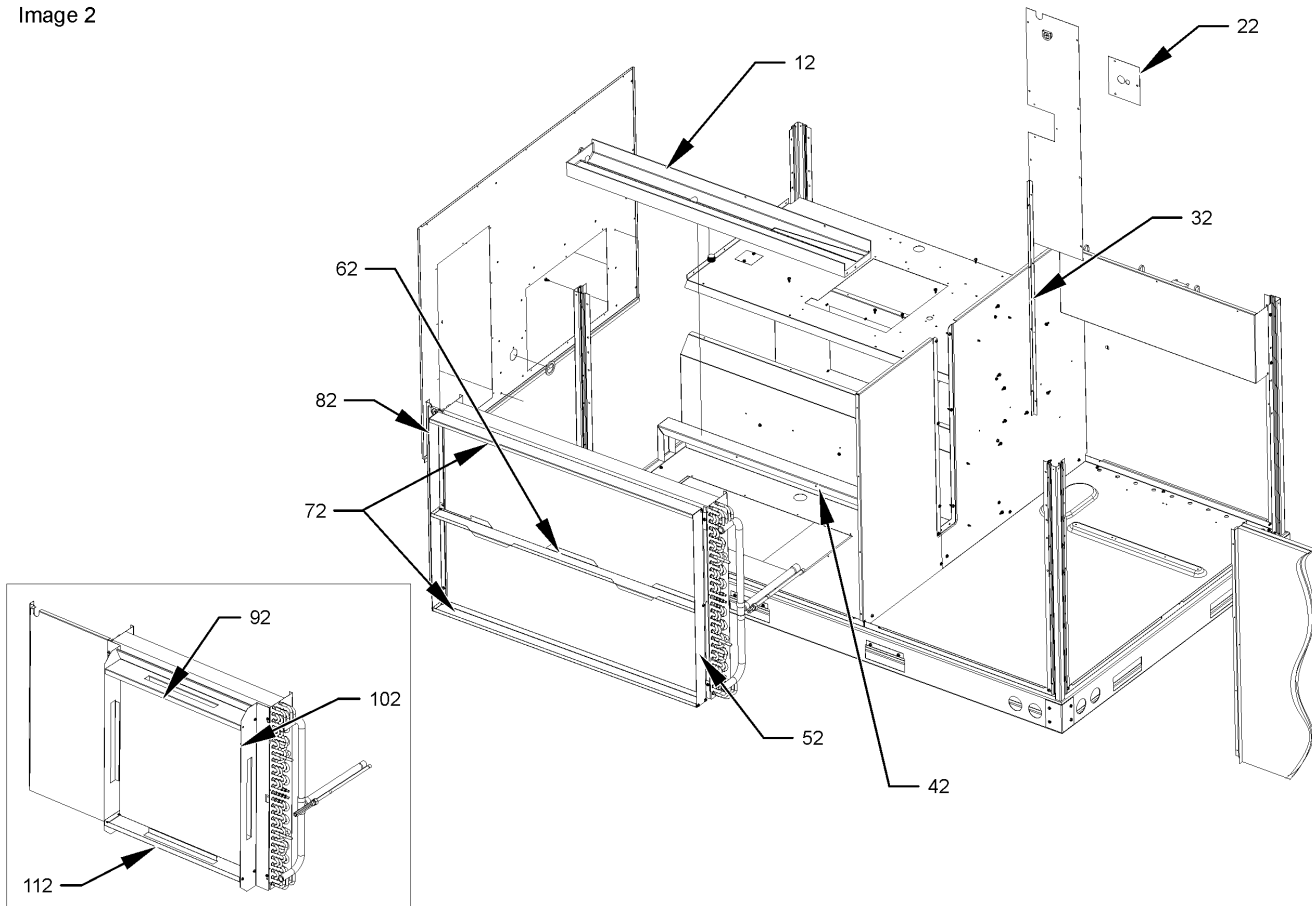


Image 2



# Partition Assembly

Ref. Part No: No:	Description:	Ref. Part No: No:	Description:
-------------------	--------------	-------------------	--------------

*Image 1:*

11	0201L00038	TUBING ASSY, COND COIL (M2, M4)
11	0201L00039	TUBING ASSY, COND COIL (M10, M12, M13, M15)
11	0201L00040	TUBING ASSY, COND COIL (M6, M8)
11	0201L00043	TUBING ASSY, COND COIL (M9, M11, M14)
11	0201L00044	TUBING ASSY, COND COIL (M5, M7)
11	0201L00047	TUBING ASSY, COND COIL (M1, M3)
21	0121L00311	COND BLOCK-OFF
31	0202L00020	TUBING ASSY, EVAP COIL (M9, M10, M11, M12, M13, M14, M15)
31	0202L00026	TUBING ASSY, EVAP COIL (M1, M2, M3, M4)
31	0202L00029	TUBING ASSY, EVAP COIL (M5, M6, M7, M8)
41	0154L00009	DRAIN PAN GASKET
51	0121L00243	DECK SIDE CHANNEL
61	0121L00288	ELECTRIC HEAT RETAINER
71	0121L00144	ELECTRIC HEAT COVER
81	0121L00256	ELECTRIC HEAT PANEL
91	0121L00981	DECK BLOWER
101	0162M00097	FLOWRATOR .068 [EVAP] (M1, M2, M3, M4)
101	0162M00108	FLOWRATOR .076 (M5, M6, M7, M8)
101	0162L00012	FLOWRATOR .086 [EVAP] (M9, M10, M11, M12, M13, M14, M15)
111	0162M00096	FLOWRATOR (M1, M2, M3, M4)
111	0162M00106	FLOWRATOR .057 (M5, M6, M7, M8)
111	0162M00060	FLOWRATOR .065 (M9, M10, M11, M12, M13, M14, M15)
121	0130M00100	CONTROL, DEFROST

Expanded Model Nomenclature

M1 - CPH036XXX1DXJXBB
M2 - CPH036XXX1DXXXBB
M3 - CPH036XXX3DXJXBB
M4 - CPH036XXX3DXXXBB
M5 - CPH048XXX1DXJXBB
M6 - CPH048XXX1DXXXBB
M7 - CPH048XXX3DXJXBB
M8 - CPH048XXX3DXXXBB
M9 - CPH060XXX1DXJXBB
M10 - CPH060XXX1DXXXBB
M11 - CPH060XXX3DXJXBB
M12 - CPH060XXX3DXXXBB
M13 - CPH060XXX3DXXXBB
M14 - CPH0600153DXJXBB
M15 - CPH0600203DHXXBB

*Image 2:*

12	0161L00005	DRAIN PAN
22	0121L00324	COND BLOCK-OFF PLATE
32	0121L00254	COND MOUNTING ANGLE
42	0121L00238	DRAIN PAN SUPPORT
52	0121L00287	FILTER ANGLE-VERTICAL (RETURN SIDE) (M5, M6, M7, M8, M9, M10, M11, M12, M13, M14, M15)
62	0121L00298	FILTER ANGLE-HORIZONTAL (CENTER) (M5, M6, M7, M8, M9, M10, M11, M12, M13, M14, M15)
72	0121L00932	FILTER ANGLE-HORIZONTAL (M5, M6, M7, M8, M9, M10, M11, M12, M13, M14, M15)
82	0121L00303	FILTER ANGLE-VERTICAL (HAIRPIN SIDE) (M5, M6, M7, M8, M9, M10, M11, M12, M13, M14, M15)
92	0121L00290	FILTER ANGLE-TOP (M1, M2, M3, M4)
102	0121L00292	FILTER ANGLE-VERTICAL (M1, M2, M3, M4)
112	0121L00291	FILTER ANGLE-BOTTOM (M1, M2, M3, M4)
NS	0160L00008	FILTER 14 X 20 X 2 (M5, M6, M7, M8, M9, M10, M11, M12, M13, M14, M15)
NS	0160L00046	FILTER 24 X 24 (M1, M2, M3, M4)

# Blower Assembly

Image 1

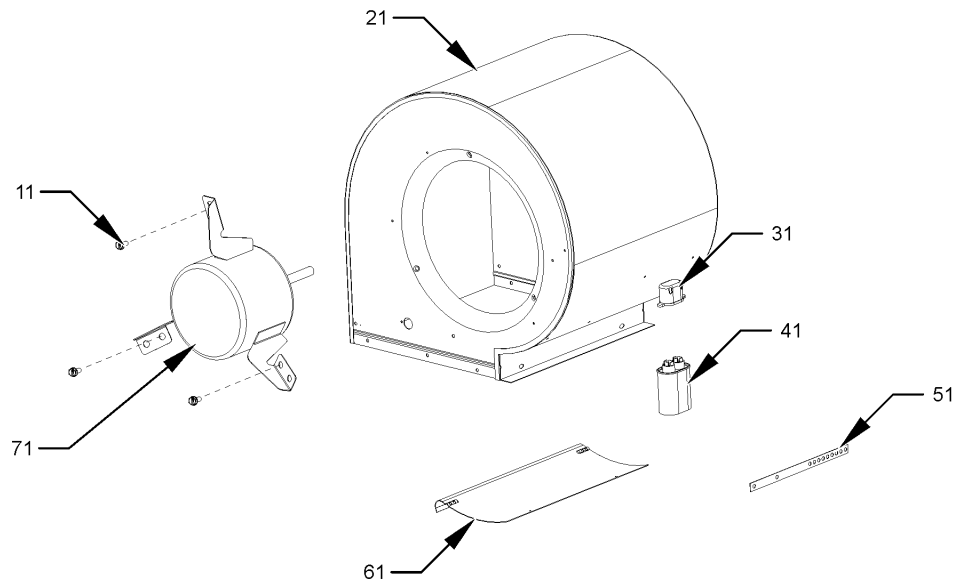
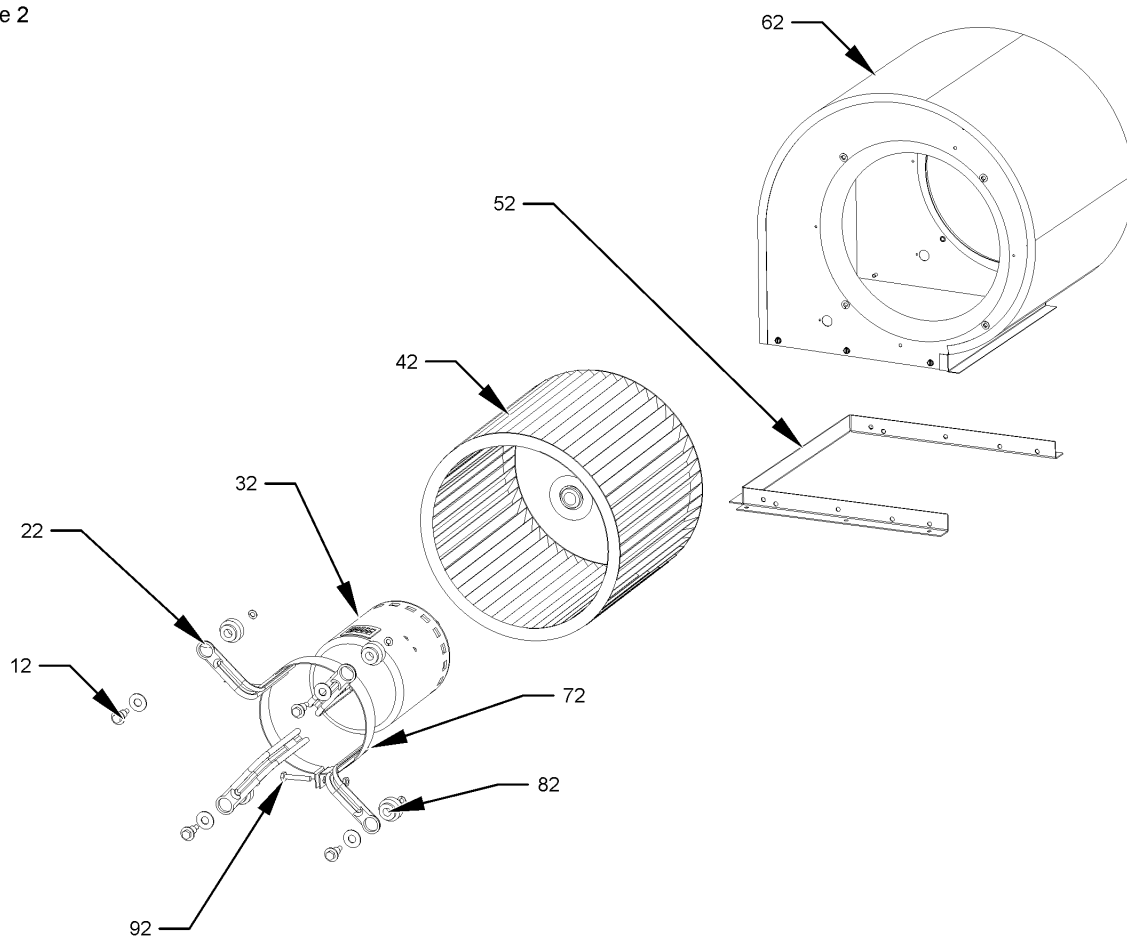


Image 2



# Blower Assembly

Ref. Part No: No:	Description:	Ref. Part No: No:	Description:
-------------------	--------------	-------------------	--------------

*Image 1:*

11	M0250558	TC SCREW (M1, M2, M3, M4, M5, M6, M7, M8)
21	11185817	BLOWER HOUSING (M1, M2, M3, M4, M5, M6, M7, M8)
31	B821700	CAPACITOR BOOT (M1, M2, M3, M4, M5, M6, M7, M8)
41	CAP100000370VA	CAPACITOR 10/370V [BLOWER] (M1, M2, M3, M4)
41	CAP150000370VA	CAPACITOR 15/370V (M5, M6, M7, M8)
51	20520901	CAPACITOR STRAP
61	C6121806	BLOWER CUT-OFF (M1, M2, M3, M4, M5, M6, M7, M8)
61	C6121807	BLOWER CUT-OFF (M9, M10, M11, M12, M13, M14, M15)
71	0131M00126	BLOWER MOTOR (M1, M2, M3, M4)
71	0131M00127	BLOWER MOTOR (M5, M6, M7, M8)

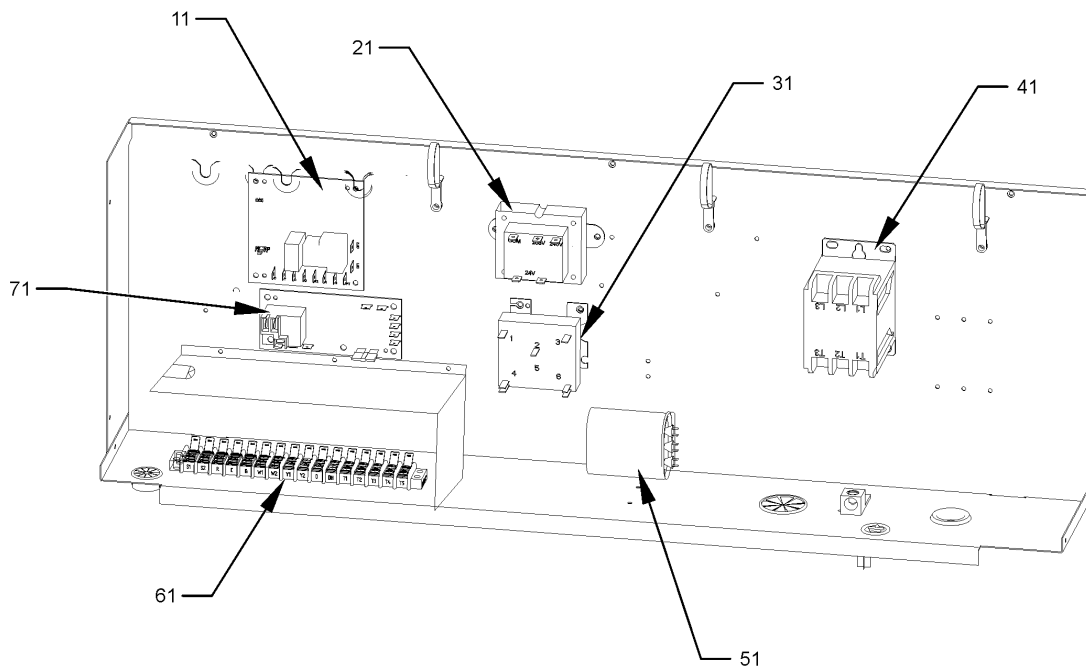
*Image 2:*

12	M0221461	TC SCREW (M9, M10, M11, M12, M13, M14, M15)
22	10441501	MOTOR MOUNT ARM (M9, M10, M11, M12, M13, M14, M15)
32	0131M00305	BLOWER MOTOR 1 HP PROGRAMMED (M9, M10, M11, M12, M13, M14, M15)
42	D6723303	BLOWER WHEEL (M1, M2, M3, M4, M5, M6, M7, M8)
42	B1368000	BLOWER WHEEL 11 X 10 (M9, M10, M11, M12, M13, M14, M15)
52	0121L00281	BLOWER MOUNTING ANGLE (M9, M10, M11, M12, M13, M14, M15)
52	0121L00308	BLOWER MOUNTING ANGLE (M1, M2, M3, M4, M5, M6, M7, M8)
62	11185811	BLOWER HOUSING 11 X 10 (M9, M10, M11, M12, M13, M14, M15)
72	10441601	MOTOR MOUNT BAND (M9, M10, M11, M12, M13, M14, M15)
82	A4002702	BLOWER MOTOR GROMMET (M9, M10, M11, M12, M13, M14, M15)
92	M0267144	MACHINE SCREW (M9, M10, M11, M12, M13, M14, M15)

Expanded Model Nomenclature

- M1 - CPH036XXX1DXJXBB
- M2 - CPH036XXX1DXXXBB
- M3 - CPH036XXX3DXJXBB
- M4 - CPH036XXX3DXXXBB
- M5 - CPH048XXX1DXJXBB
- M6 - CPH048XXX1DXXXBB
- M7 - CPH048XXX3DXJXBB
- M8 - CPH048XXX3DXXXBB
- M9 - CPH060XXX1DXJXBB
- M10 - CPH060XXX1DXXXBB
- M11 - CPH060XXX3DXJXBB
- M12 - CPH060XXX3DXXXBB
- M13 - CPH060XXX3DXXXBB
- M14 - CPH0600153DXJXBB
- M15 - CPH0600203DHXXBB

# Control Box Assembly



# Control Box Assembly

Ref. Part No:	Part No:	Description:	Ref. Part No:	Part No:	Description:
---------------	----------	--------------	---------------	----------	--------------

Image 1:

11	PCBDM133	PCB, DEFROST BOARD
21	B1141643	TRANSFORMER 208/230, 24V
31	0130M00025	24V RELAY (M1, M2, M3, M4, M5, M6, M7, M8)
41	CONT3P025024V	CONTACTOR 25 AMP, 3P, 24V (M3, M4, M7, M8)
41	CONT1P030024V	CONTACTOR 30 AMP, 1P, 24V (M1, M2, M5, M6)
41	CONT3P030024V	CONTACTOR 30 AMP, 3P, 24V (M11, M12, M13, M14, M15)
41	CONT2P040024V	CONTACTOR 40 AMP, 2P, 24V (M9, M10)
51	CAP050000370VA	CAPACITOR 5/370V (M3, M4, M7, M8, M11, M12, M13, M14, M15)
51	CAP050450440RT	CAPACITOR 5/45/440V (M1, M2, M5, M6)
51	CAP050700440RT	CAPACITOR 5/70/440V (M9, M10)
61	0130M00038	TERMINAL BOARD
71	PCBFM131	ELECTRONIC BLOWER TIME DELAY RELAY (M1, M2, M3, M4, M5, M6, M7, M8)
NS	20520901	CAPACITOR STRAP
NS	0130M00127	MOTOR POWER HARNESS (M9, M10, M11, M12, M13, M14, M15)
NS	0259L00121	WIRE HARNESS (M9, M10, M11, M12, M13, M14, M15)
NS	0259L00120	WIRE HARNESS, CONTROL (M1, M2, M3, M4, M5, M6, M7, M8)
NS	0259L00082	WIRE HARNESS, DEFROST (M1, M2, M3, M4, M5, M6, M7, M8)
NS	0259L00079	WIRE HARNESS, EVAP MOTOR (M1, M2, M3, M4, M5, M6, M7, M8)
NS	0259L00057	WIRING HARNESS
NS	0259L00058	WIRING HARNESS (M9, M10, M11, M12, M13, M14, M15)
NS	0259L00058	WIRING HARNESS (M9, M10, M11, M12, M13, M14, M15)
NS	0259L00061	WIRING HARNESS (M1, M2, M3, M4, M5, M6, M7, M8)
NS	0259L00070	WIRING HARNESS
NS	0259L00073	WIRING HARNESS (M9, M10, M11, M12, M13, M14, M15)

Expanded Model Nomenclature

M1 - CPH036XXX1DXJXBB
M2 - CPH036XXX1DXXXBB
M3 - CPH036XXX3DXJXBB
M4 - CPH036XXX3DXXXBB
M5 - CPH048XXX1DXJXBB
M6 - CPH048XXX1DXXXBB
M7 - CPH048XXX3DXJXBB
M8 - CPH048XXX3DXXXBB
M9 - CPH060XXX1DXJXBB
M10 - CPH060XXX1DXXXBB
M11 - CPH060XXX3DXJXBB
M12 - CPH060XXX3DXXXBB
M13 - CPH060XXX3DXXXBB
M14 - CPH0600153DXJXBB
M15 - CPH0600203DHXXBB

# Accessory Parts List

# Accessory Parts

Ref. Part No:	Part No:	Description:	Ref. Part No:	Part No:	Description:
---------------	----------	--------------	---------------	----------	--------------

Image 1:

NS	0130M00065	CIRCUIT BREAKER, CONVENIENCE OUTLET (M12)
NS	0270L00107	CONVENIENCE OUTLET ASSY - NP (M12)
NS	DSC100A38Y001FI	DISCONNECT MODULE ASSY (M15)
NS	0130M00061	TRANSFORMER, CONVENIENCE OUTLET (M12)

Expanded Model Nomenclature

M1 - CPH036XXX1DXJXBB
M2 - CPH036XXX1DXXXBB
M3 - CPH036XXX3DXJXBB
M4 - CPH036XXX3DXXXBB
M5 - CPH048XXX1DXJXBB
M6 - CPH048XXX1DXXXBB
M7 - CPH048XXX3DXJXBB
M8 - CPH048XXX3DXXXBB
M9 - CPH060XXX1DXJXBB
M10 - CPH060XXX1DXXXBB
M11 - CPH060XXX3DXJXBB
M12 - CPH060XXX3DXXXBB
M13 - CPH060XXX3DXXXBB
M14 - CPH0600153DXJXBB
M15 - CPH0600203DHXXBB